



US00D349488S

United States Patent [19]

[11] Patent Number: **Des. 349,488**

Aderman et al.

[45] Date of Patent: **** Aug. 9, 1994**

[54] **DISK STORAGE SUBSYSTEM FOR A DATA PROCESSING SYSTEM**

D. 335,655 5/1993 Hill D14/102
4,635,811 1/1987 Lodi D14/102

[75] Inventors: **Wayne L. Aderman**, Zumbro Falls;
David W. Hill, Rochester, both of
Minn.

Primary Examiner—Wallace R. Burke
Assistant Examiner—Freda S. Nunn
Attorney, Agent, or Firm—Roy W. Truelson

[73] Assignee: **International Business Machines Corporation**, Armonk, N.Y.

[57] **CLAIM**

[**] Term: **14 Years**

The ornamental design for a disk storage subsystem for a data processing system, as shown and described.

[21] Appl. No.: **834,500**

DESCRIPTION

[22] Filed: **Feb. 11, 1992**

[52] U.S. Cl. **D14/109**

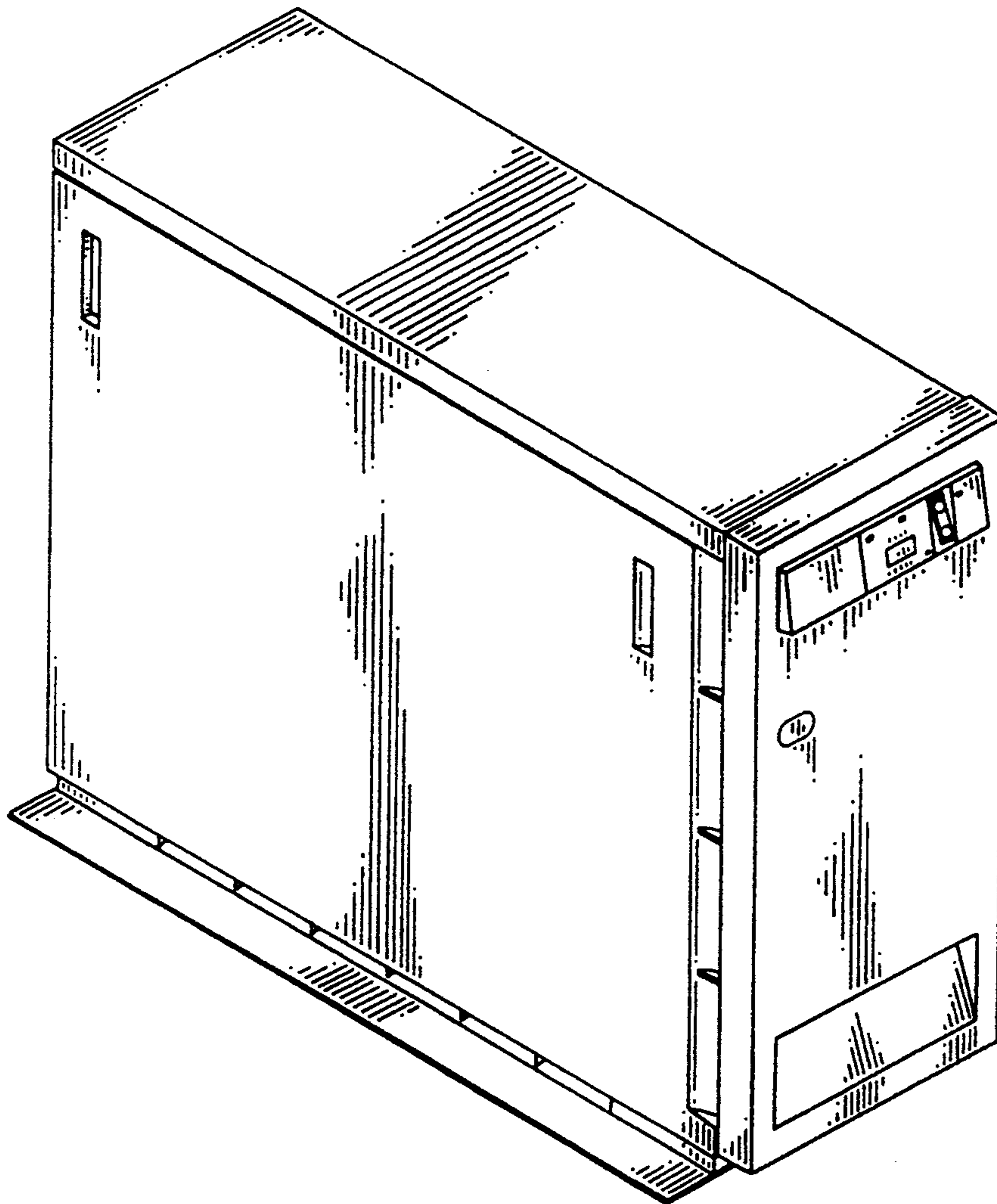
[58] **Field of Search** 360/99.12;
361/390-395; D14/100, 102, 108, 109;
D13/162, 184, 199

FIG. 1 is a reduced top front and left side isometric view of a disk storage subsystem for a data processing system showing our new design;
FIG. 2 is a front elevation thereof;
FIG. 3 is a right side elevation thereof;
FIG. 4 is a rear elevation thereof;
FIG. 5 is a top plan thereof;
FIG. 6 is a bottom plan thereof; and,
FIG. 7 is an enlarged partial front elevation of the control panel thereof shown separately for clarity of illustration only.

[56] **References Cited**

U.S. PATENT DOCUMENTS

D. 294,355 2/1988 Giannotti Jr. et al. D14/109 X
D. 308,517 6/1990 Horie D14/100 X



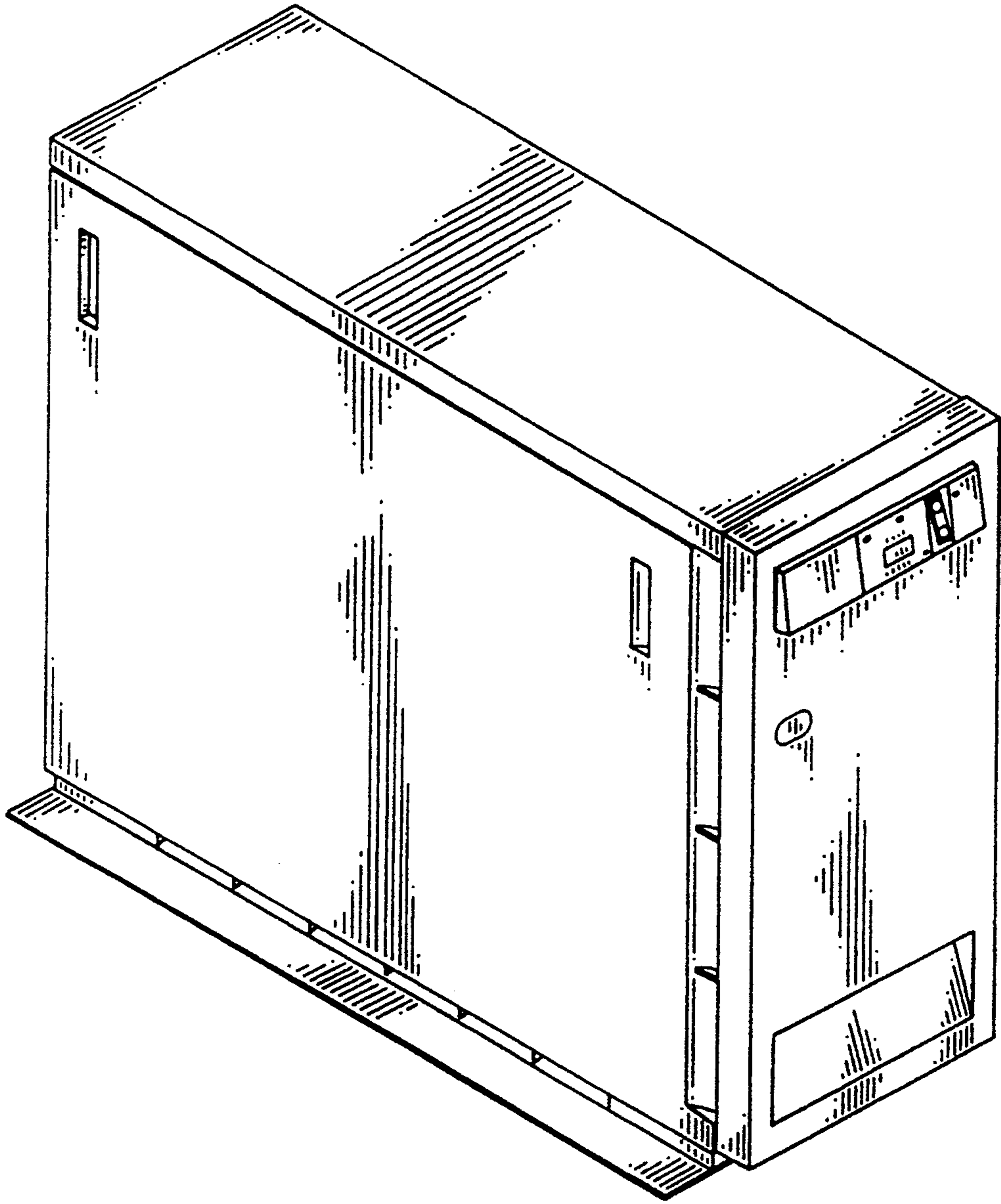


FIG. 1

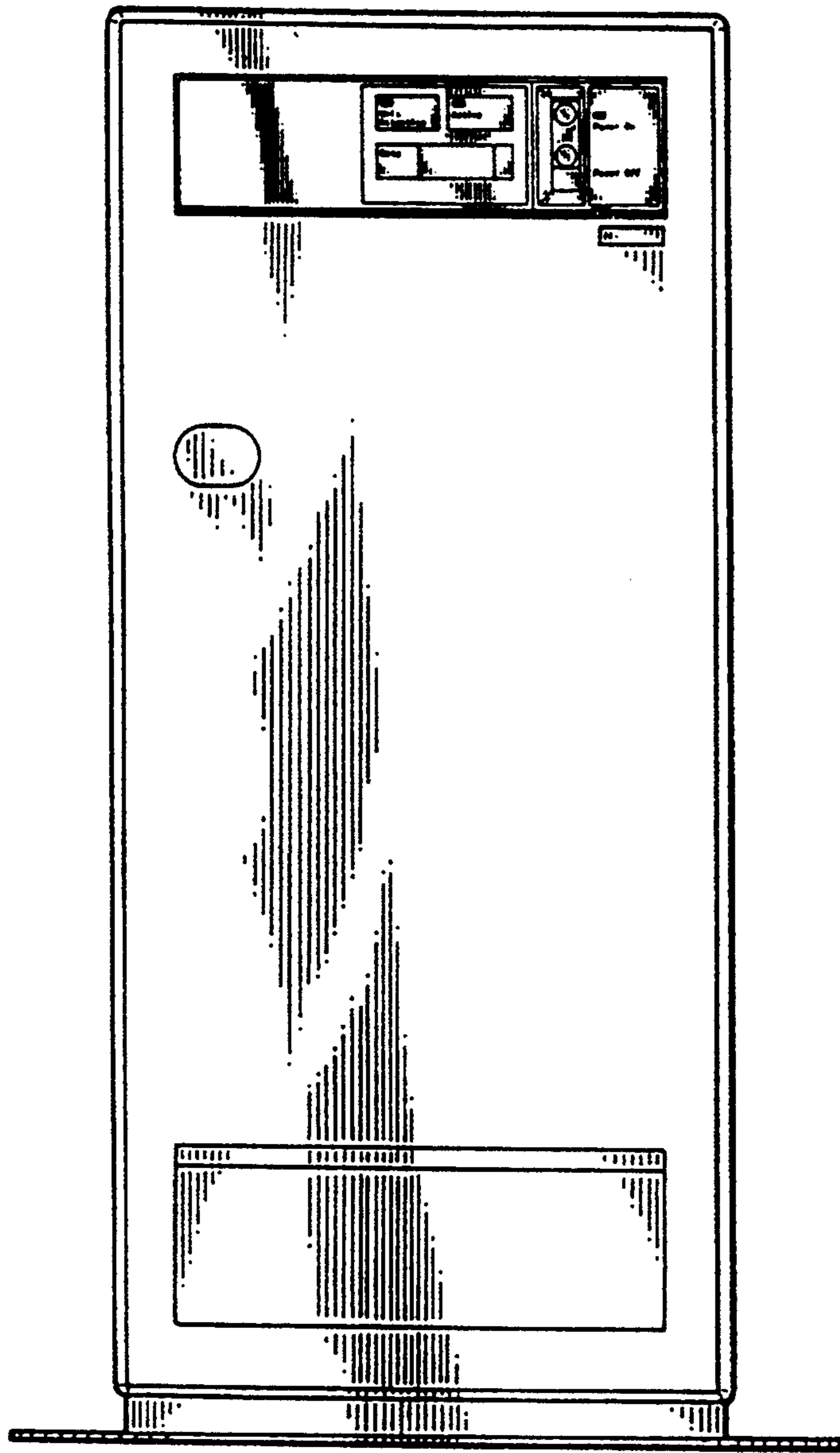


FIG. 2

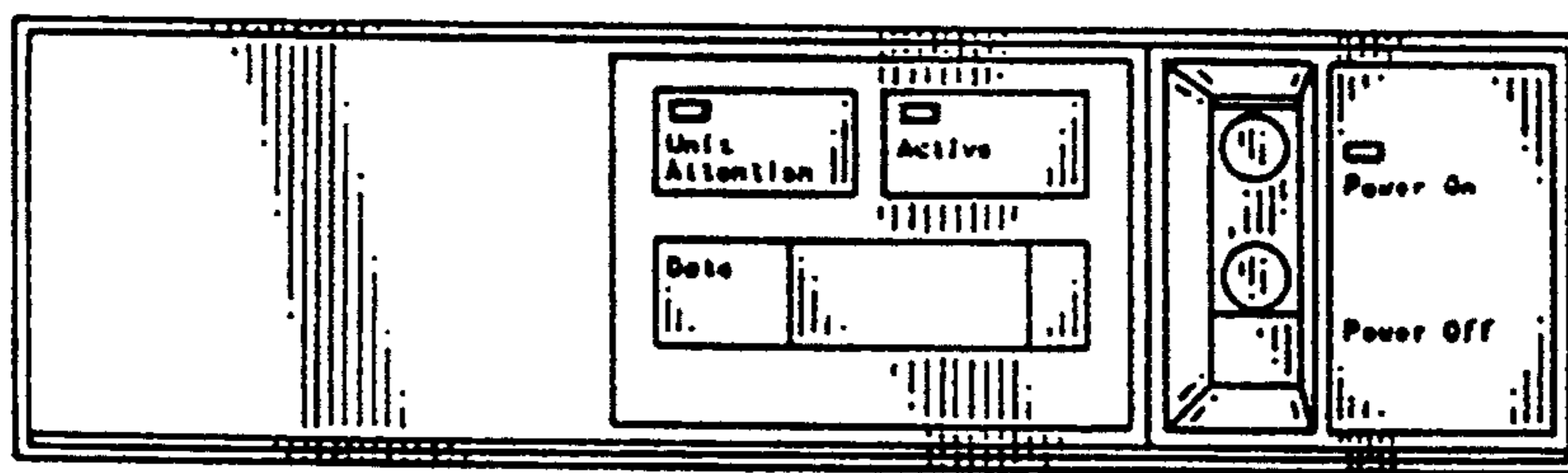


FIG. 7

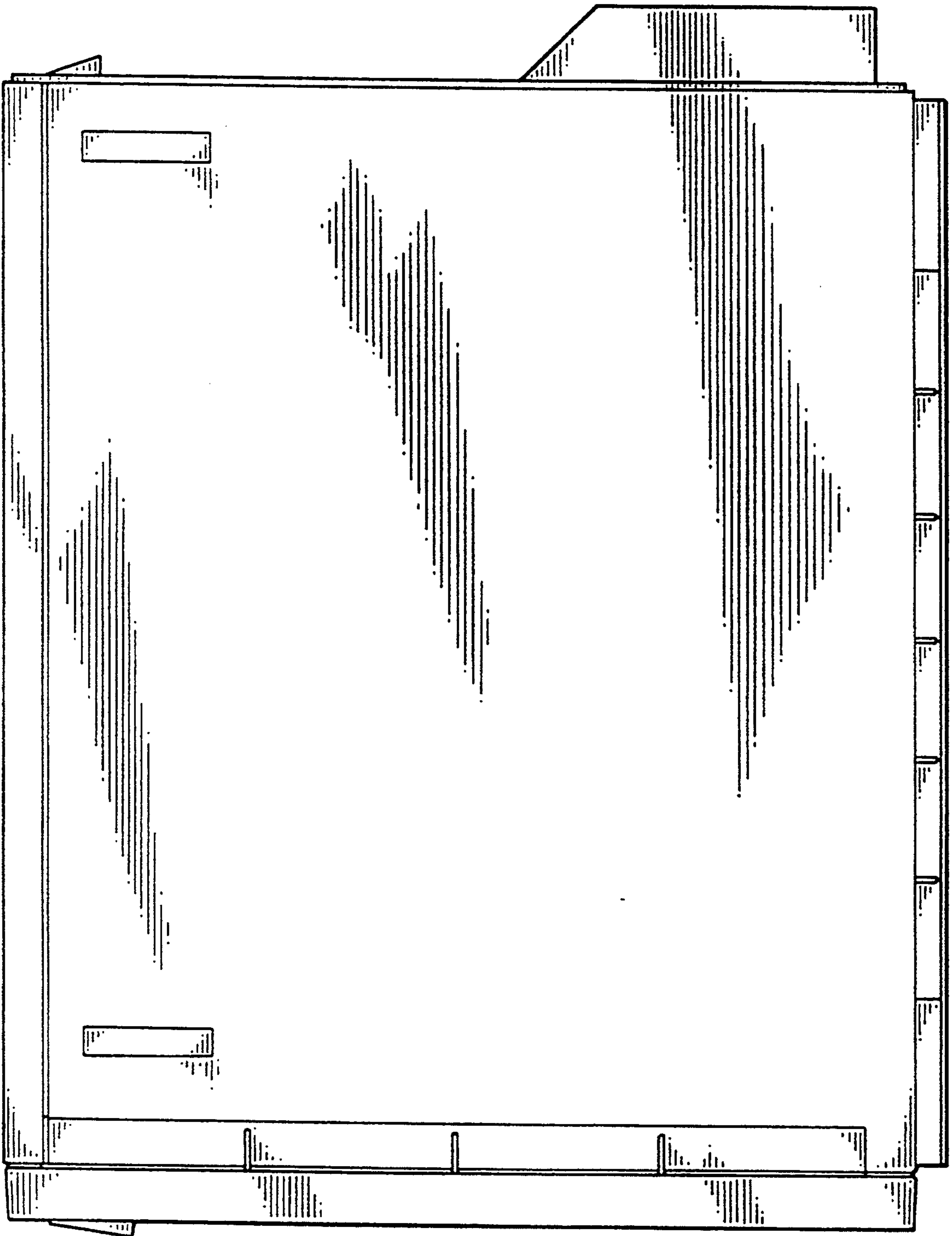


FIG. 3

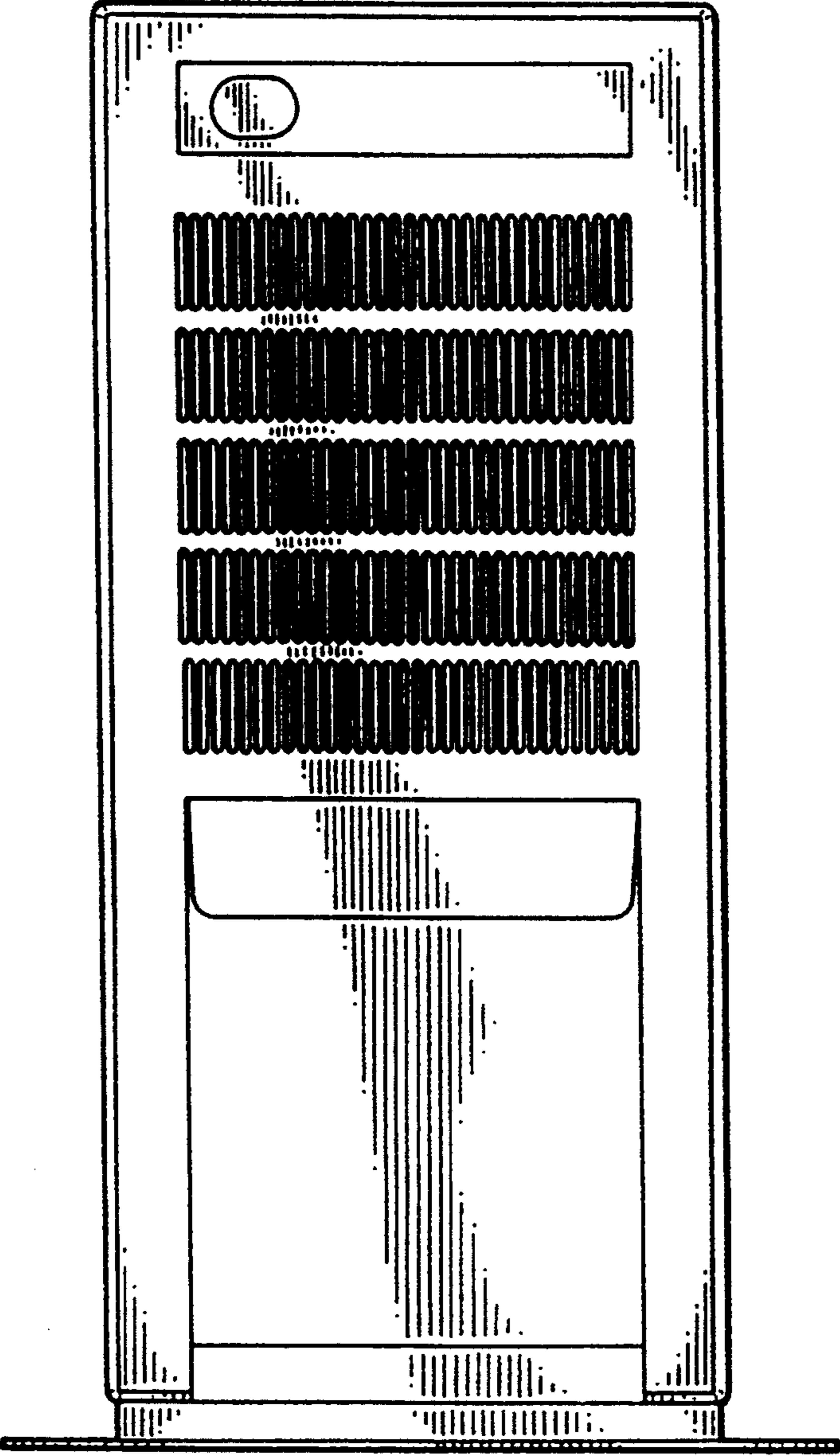


FIG. 4

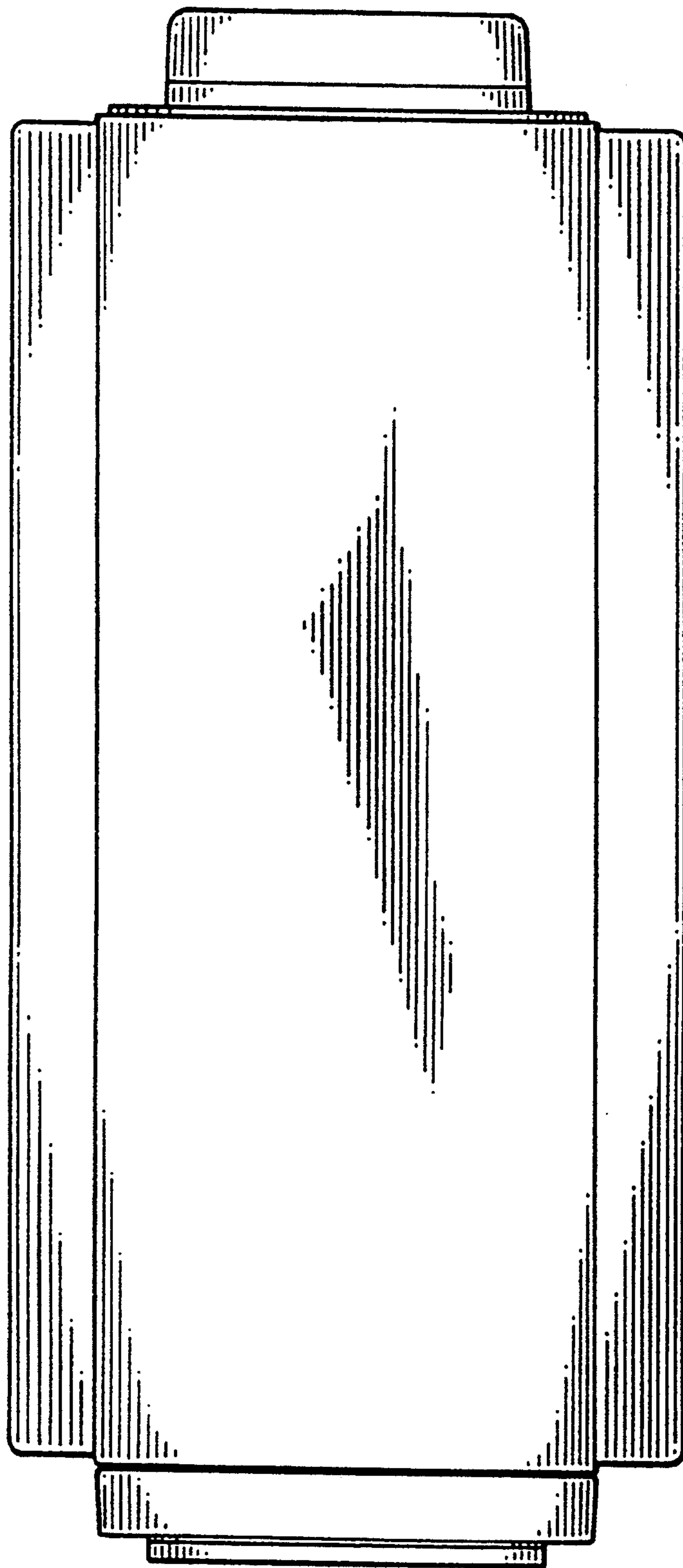


FIG. 5



FIG. 6