



US00D349487S

United States Patent [19]

[11] Patent Number: **Des. 349,487**

Horner et al.

[45] Date of Patent: **** Aug. 9, 1994**

[54] DATA COLLECTION TERMINAL

[75] Inventors: **Neal W. Horner**, Boca Raton; **Joseph E. Jasinski**, Delray Beach, both of Fla.

[73] Assignee: **International Business Machines Corp.**, Armonk, N.Y.

[**] Term: **14 Years**

[21] Appl. No.: **823,643**

[22] Filed: **Jan. 21, 1992**

[52] U.S. Cl. **D14/100**

[58] Field of Search 235/145 A, 145 R; 340/700, 706; 364/708, 709.04; D14/100, 101, 106, 113, 115, 105, 114; D18/1, 4, 7

[56] References Cited

U.S. PATENT DOCUMENTS

- D. 302,973 8/1989 Nishida D14/100
- D. 303,521 9/1989 Savio et al. D14/100
- D. 305,909 2/1990 Feger et al. D14/100 X
- D. 310,352 9/1990 Kato et al. D14/105
- D. 319,101 8/1991 Endo D14/100 X
- D. 334,179 3/1993 Crafoord D14/100

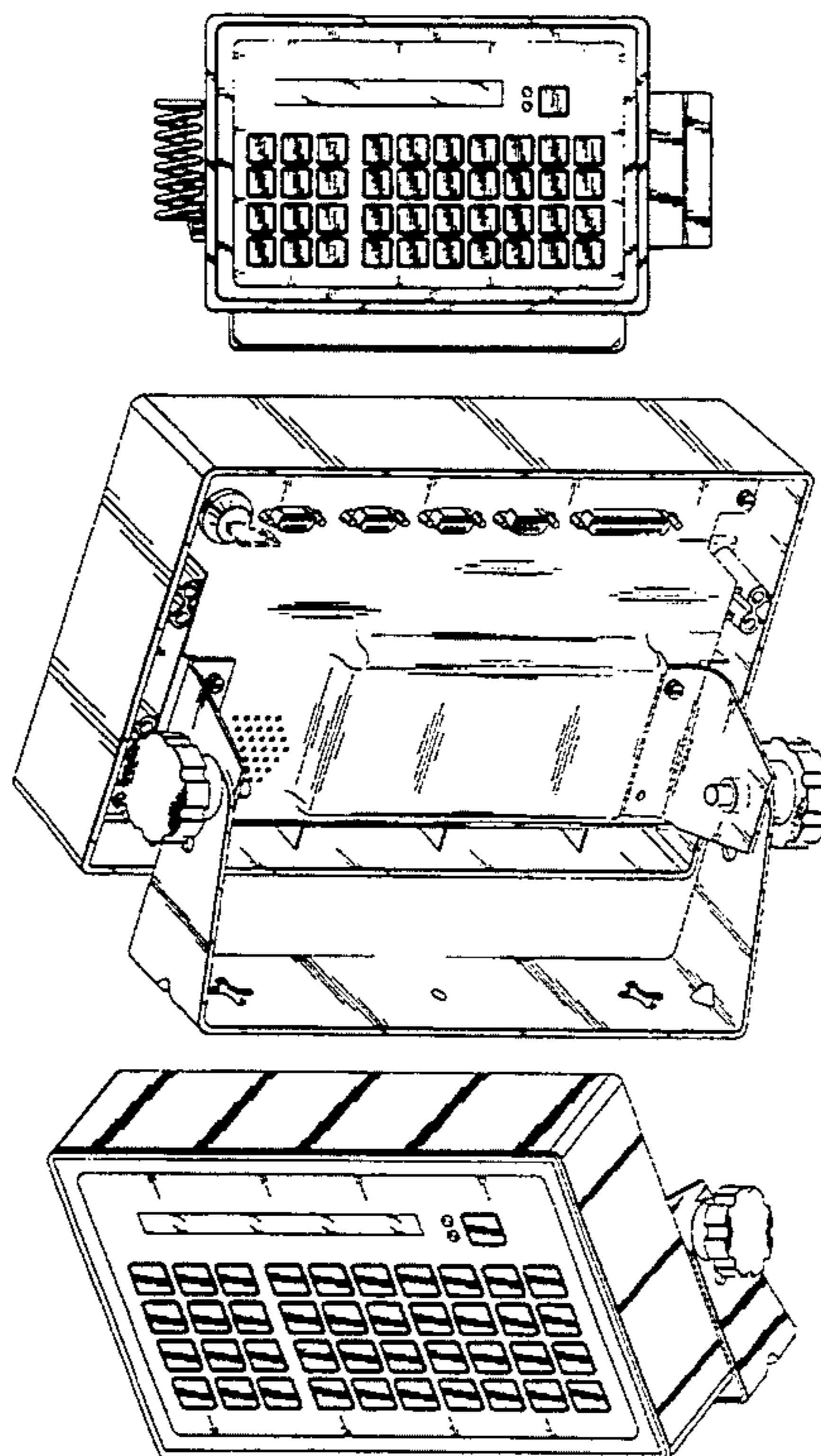
Primary Examiner—Wallace R. Burke
Assistant Examiner—Freda S. Nunn
Attorney, Agent, or Firm—Romualdas Strimaitis; Anibal J. Cortina

[57] CLAIM

The ornamental design for a data collection terminal, as shown and described.

DESCRIPTION

FIG. 1 is a front elevational view of a data collection terminal showing our new design with a credit card reader and a light pen holder attached thereto; FIG. 2 is a right side elevational view thereof; FIG. 3 is a left side elevational view thereof; FIG. 4 is a rear elevational view thereof; FIG. 5 is a top rear and right side perspective view thereof shown without the card reader on an enlarged scale; FIG. 6 is a top rear and left side perspective view thereof shown without the pen holder; FIG. 7 is a top front and right side perspective view thereof shown without the card reader; FIG. 8 is a top front and left side perspective view thereof shown without the pen holder and card reader; FIG. 9 is a reduced front elevational view of a second embodiment similar in appearance to FIG. 1 of the first embodiment the only difference being the key arrangement; FIG. 10 is a top front and right side perspective view thereof on an enlarged scale similar in appearance to FIG. 7; and, FIG. 11 is a top front and left side perspective view thereof similar in appearance to FIG. 8. The undisclosed bottom plan view of both embodiments is flat and unornamented the undisclosed rear view of the second embodiment is identical to that of the first and the broken lines are shown in the views for illustrative purposes only and form no part of the claimed design.



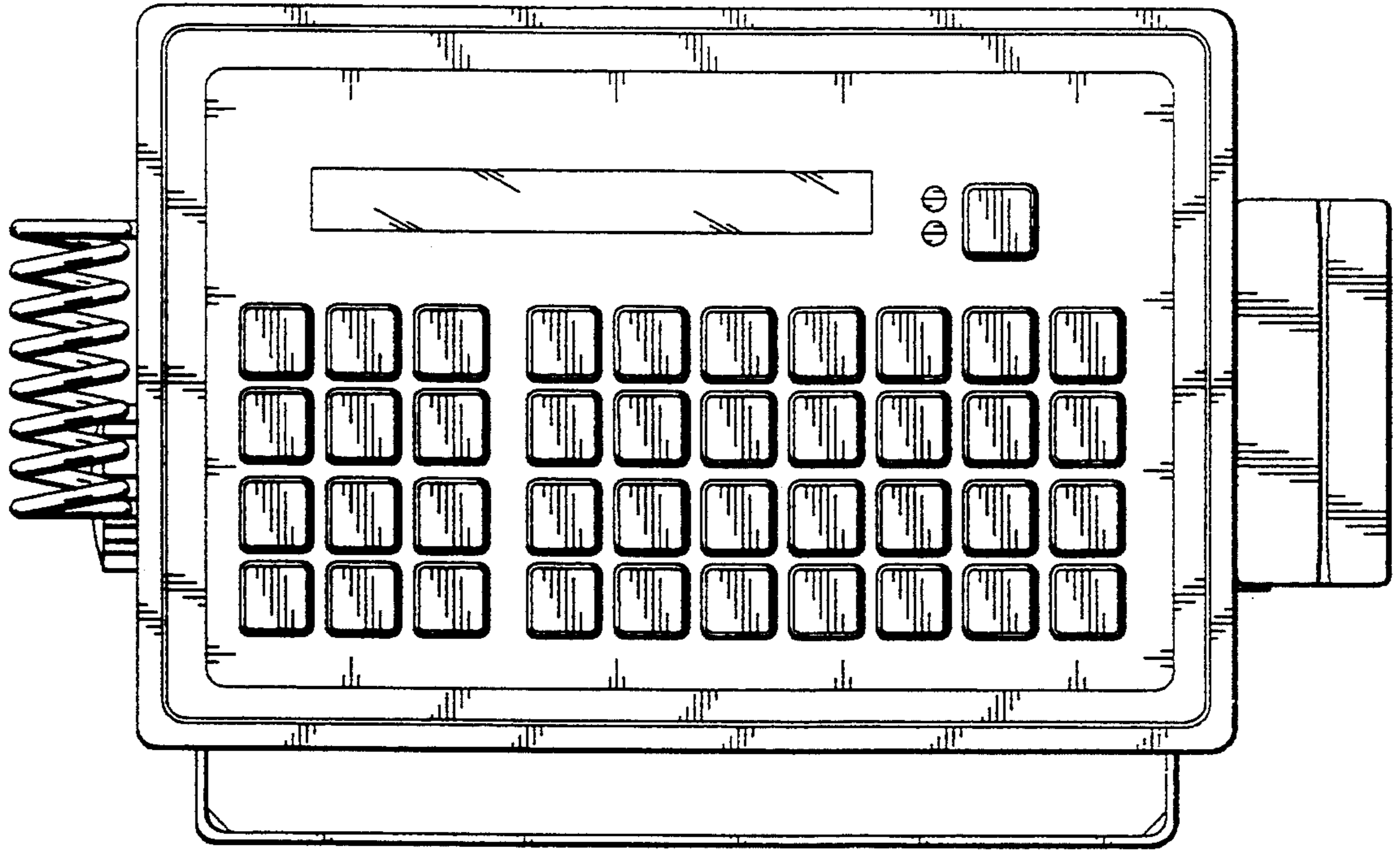


FIG. 1

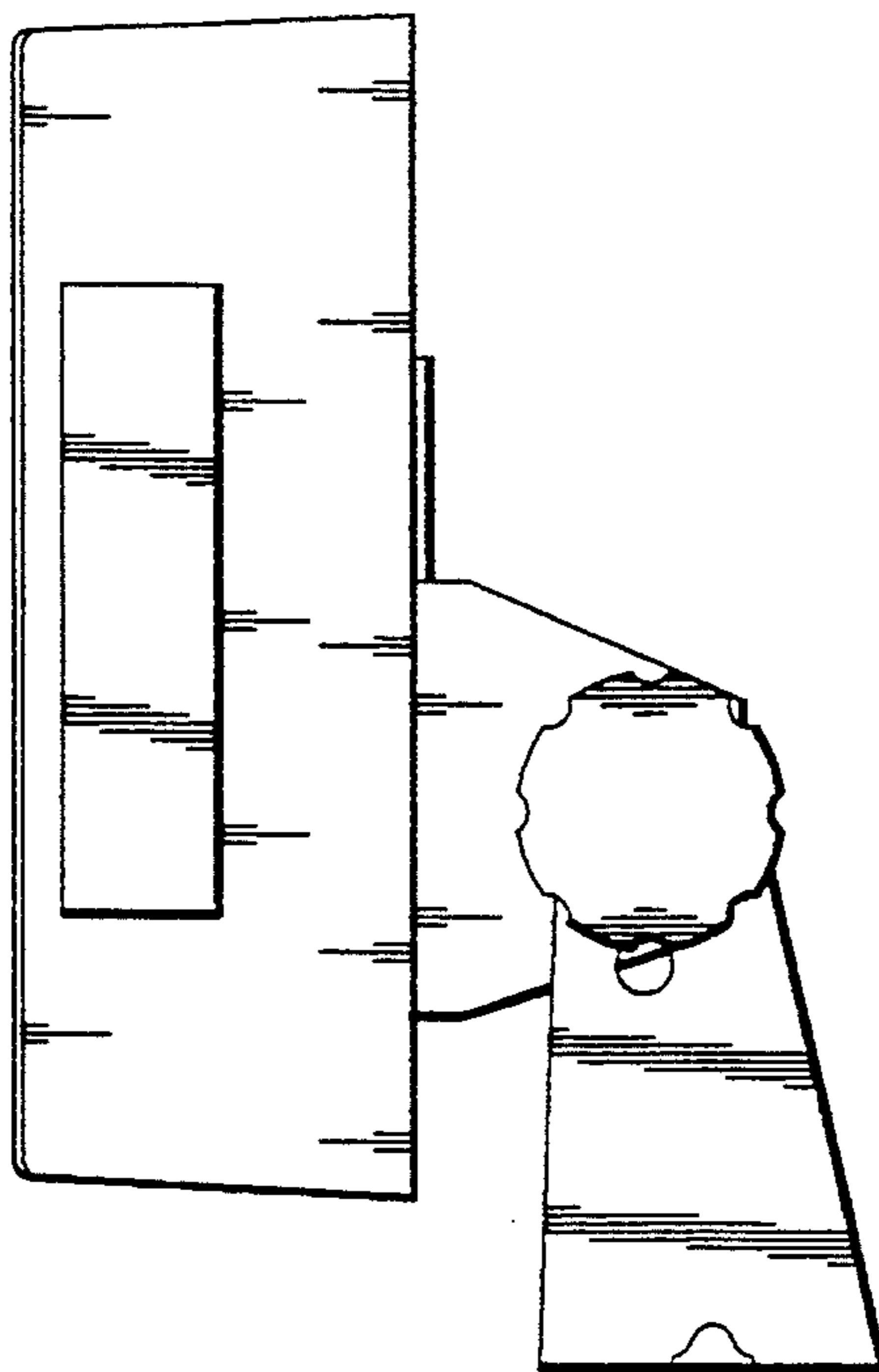


FIG. 2

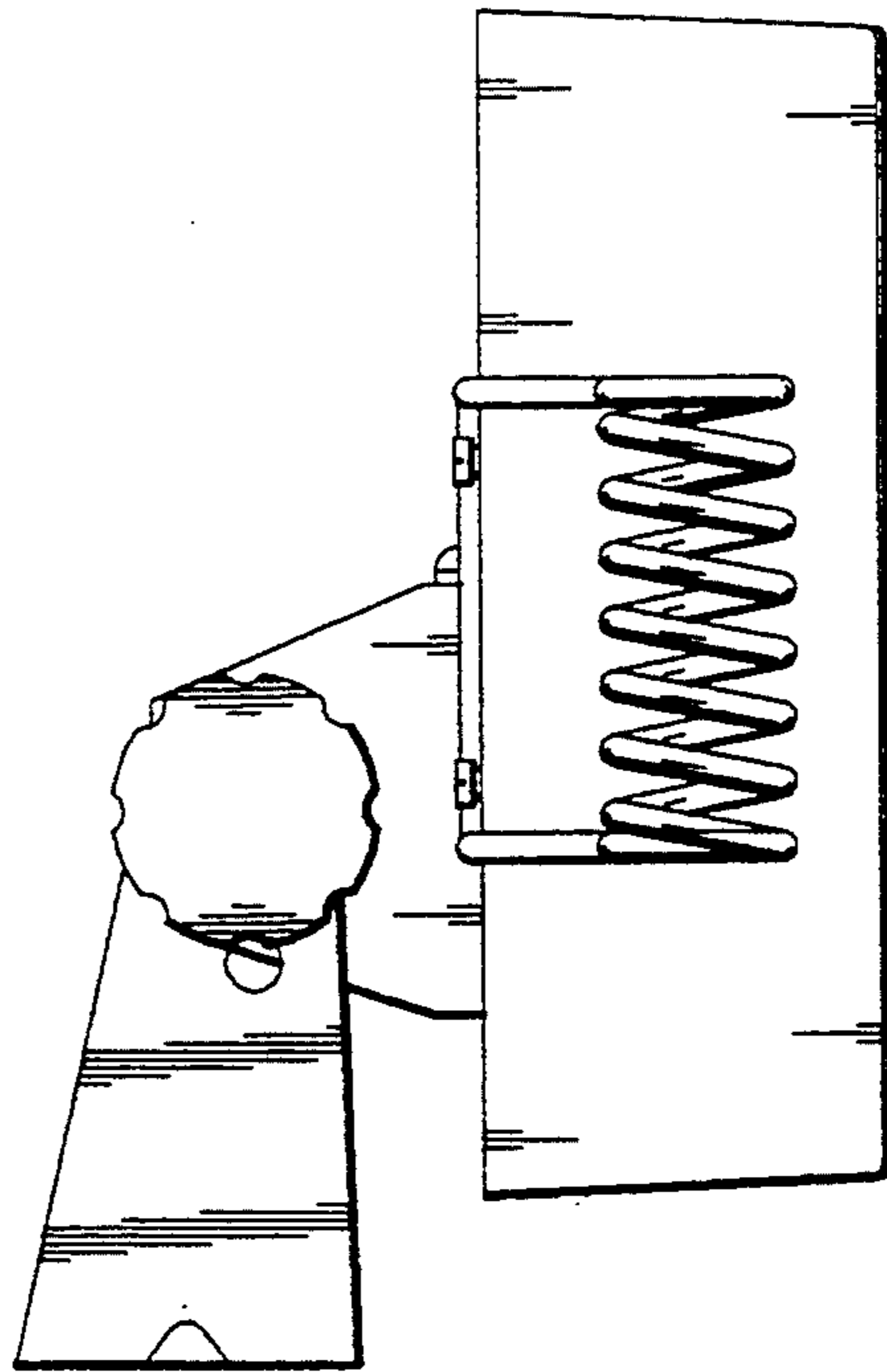


FIG. 3

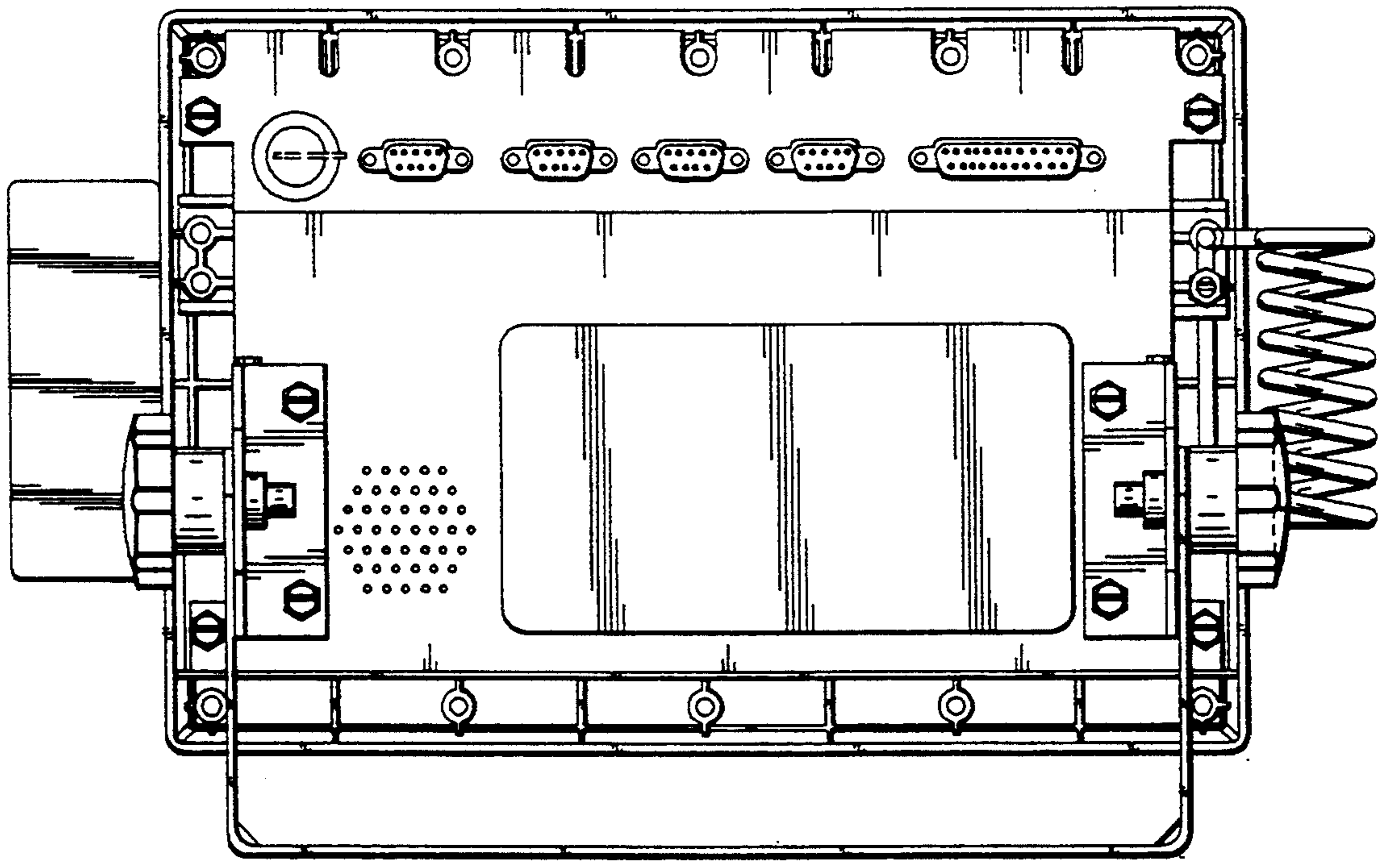


FIG. 4

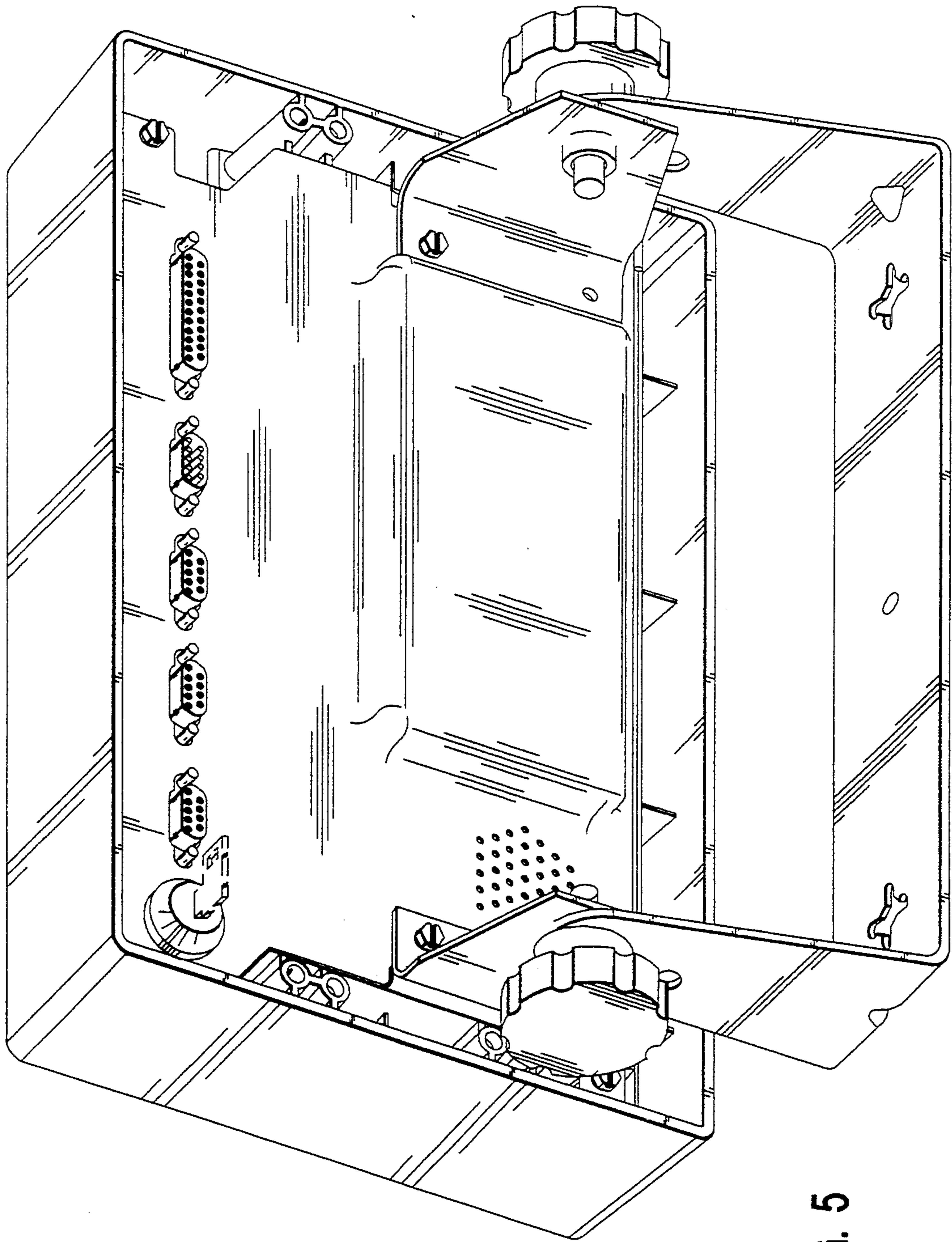


FIG. 5

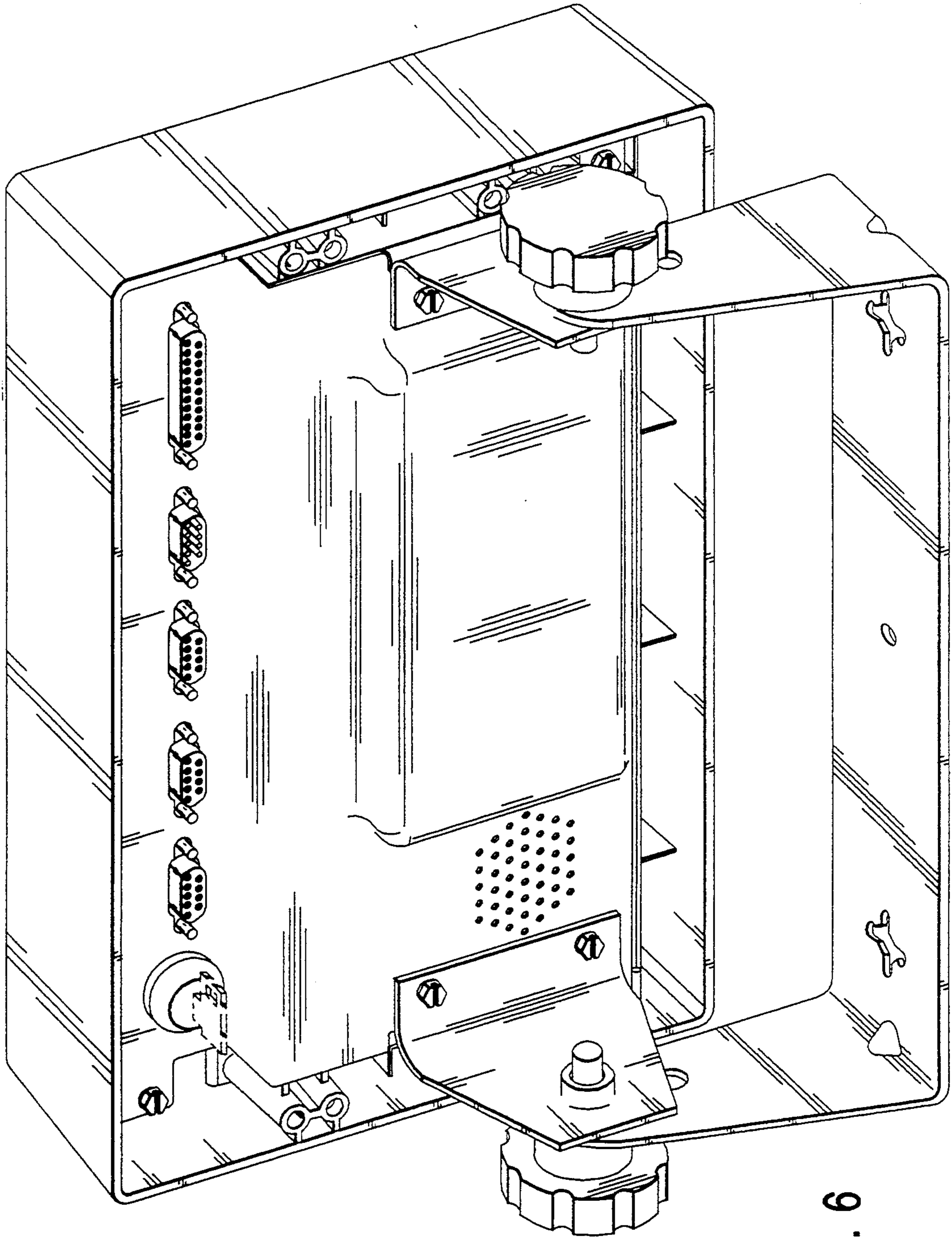


FIG. 6

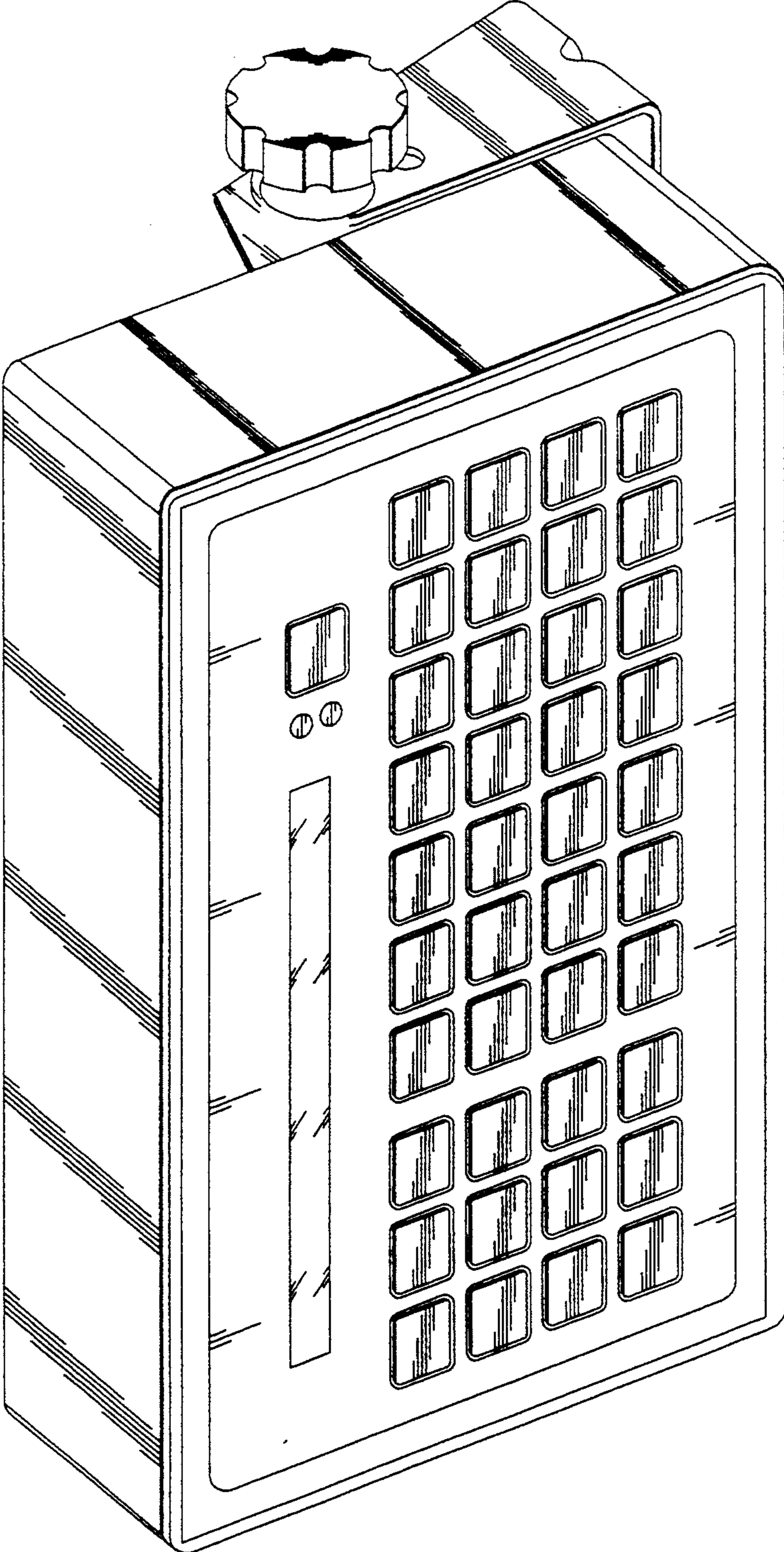


FIG. 7

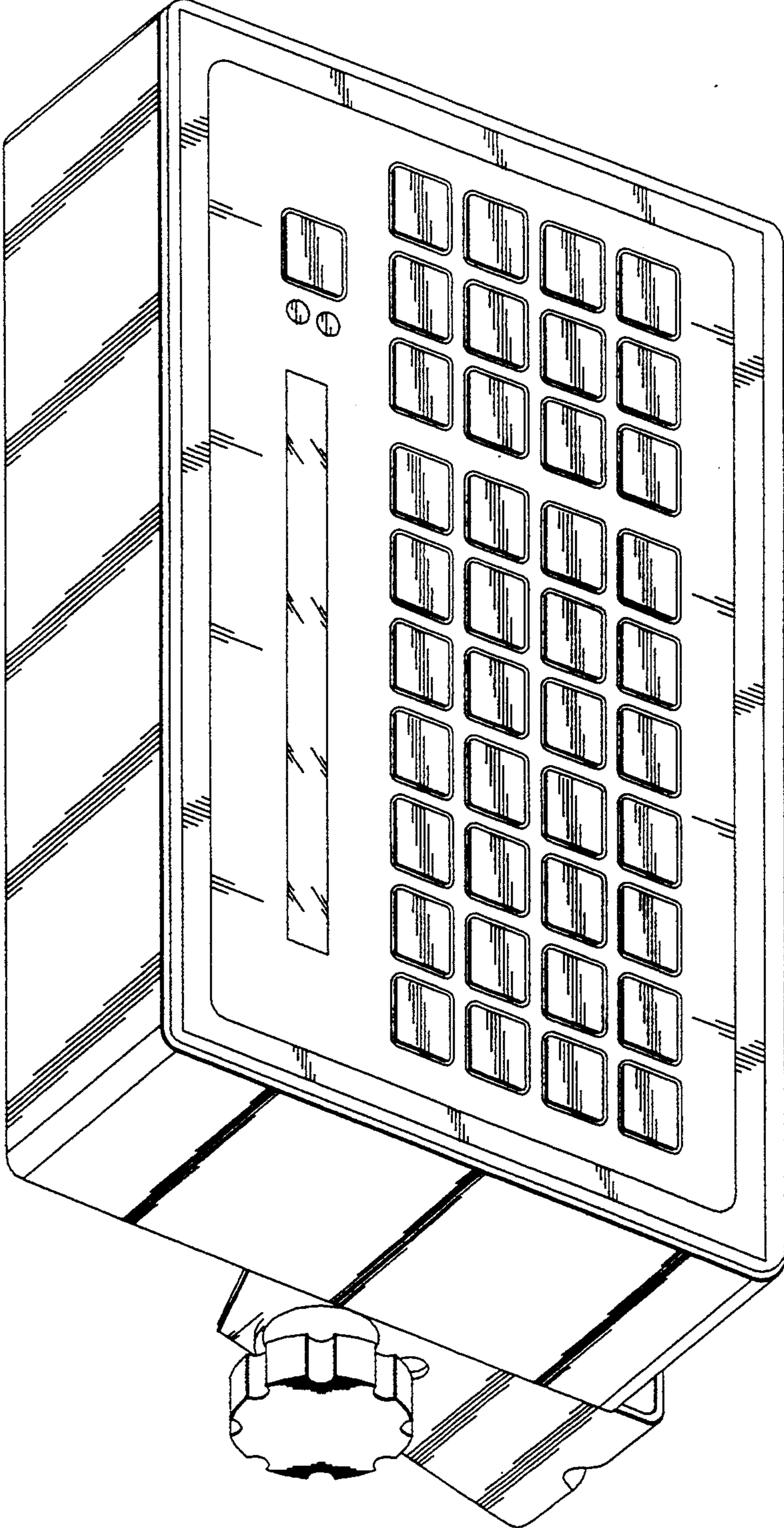


FIG. 8

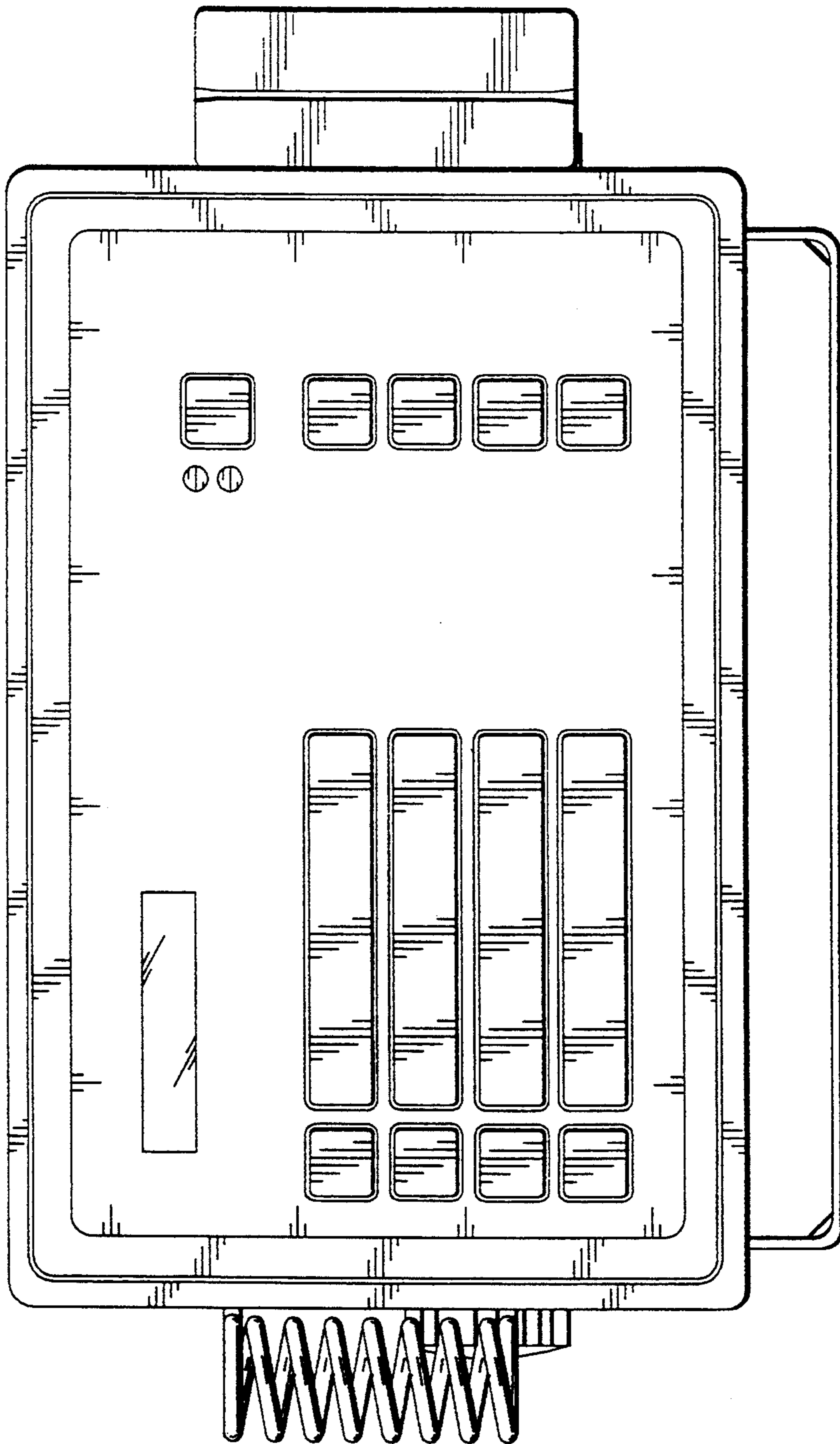


FIG. 9

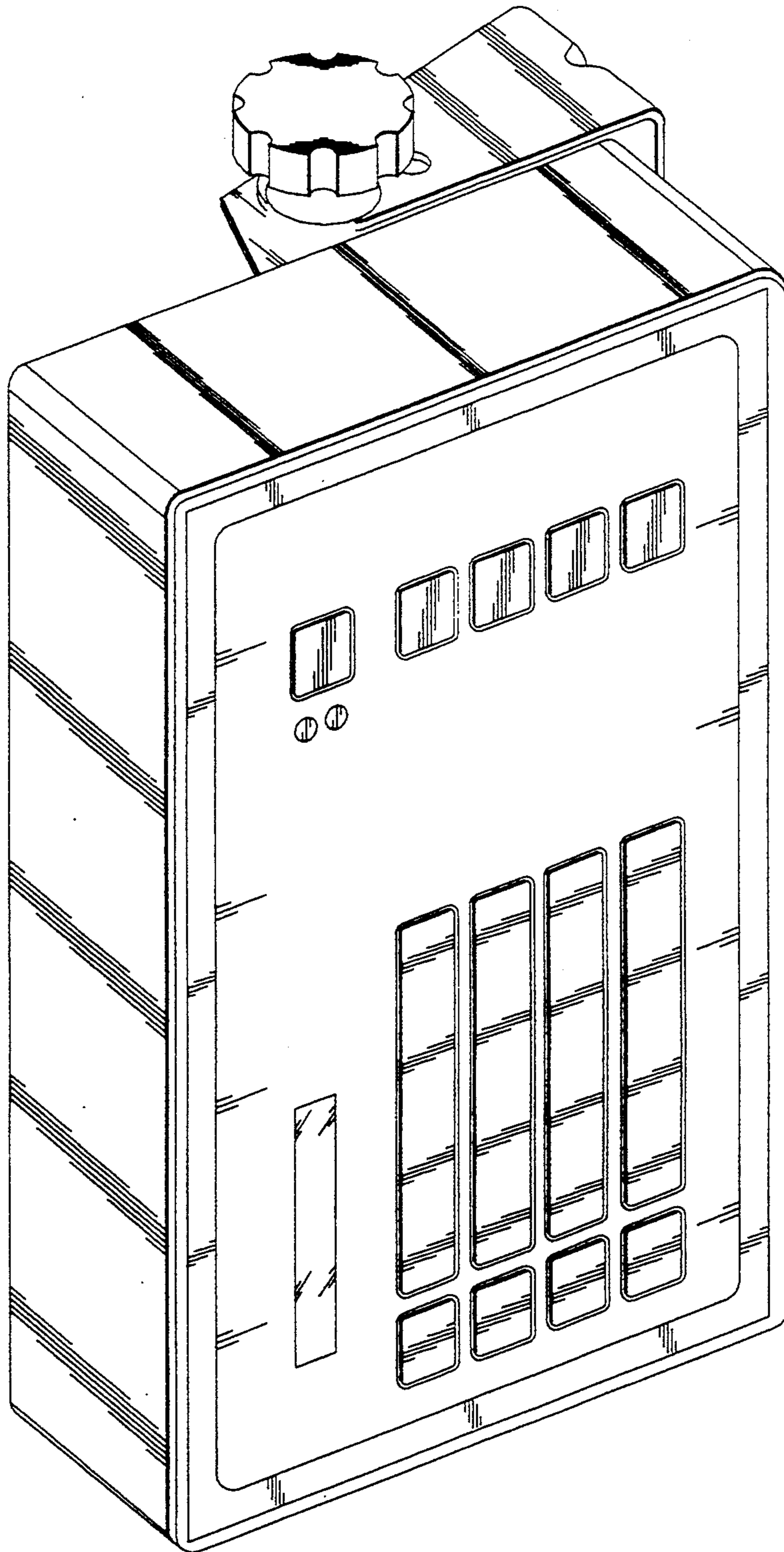


FIG. 10

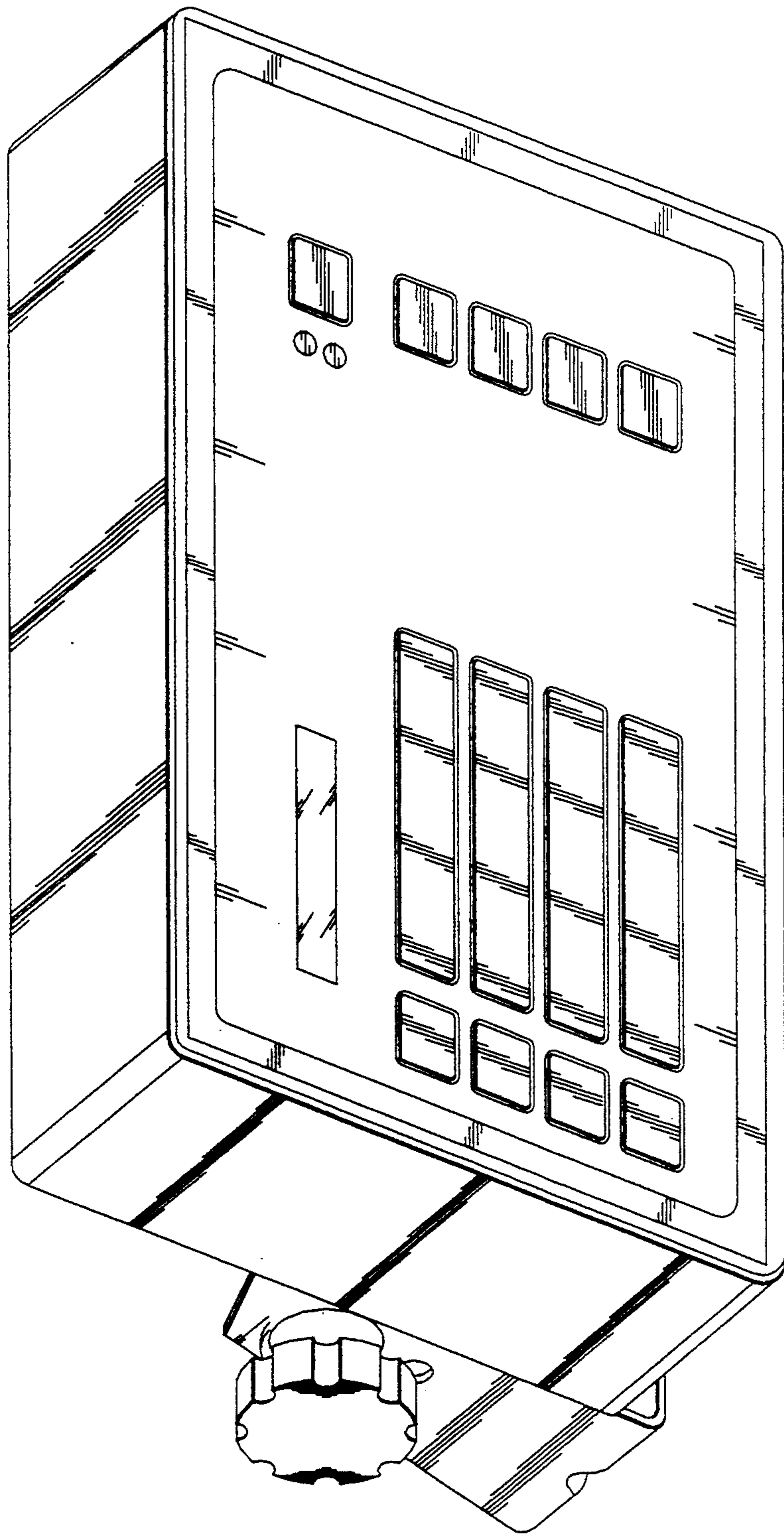


FIG. 11