



US00D349483S

# United States Patent [19]

[11] Patent Number: **Des. 349,483**

Weaver et al.

[45] Date of Patent: **\*\* Aug. 9, 1994**

[54] **BATTERY PACK FOR USE WITH A MEDICAL INSTRUMENT**

[75] Inventors: **Robert J. Weaver, Kirkland; John C. Daynes, Redmond; Dennis C. Brittingham, Seattle; Rodney J. Merry, Woodinville, all of Wash.**

[73] Assignee: **Physio-Control Corporation, Redmond, Wash.**

[\*\*] Term: **14 Years**

[21] Appl. No.: **820,948**

[22] Filed: **Jan. 9, 1992**

### Related U.S. Application Data

[63] Continuation-in-part of Ser. No. 640,072, Jan. 11, 1991, Pat. No. 5,224,870.

[52] U.S. Cl. .... **D13/103**

[58] Field of Search ..... 320/2, 3, 4; 429/96, 429/97, 98, 99, 100, 121, 122, 123; D13/103, 110; D14/114, 138, 217

### [56] References Cited

#### U.S. PATENT DOCUMENTS

D. 261,640 11/1981 Alber et al. .... D13/110  
5,078,615 1/1992 Benson et al. .... 439/246  
5,182,546 1/1993 Shinbori et al. .... 429/99 X

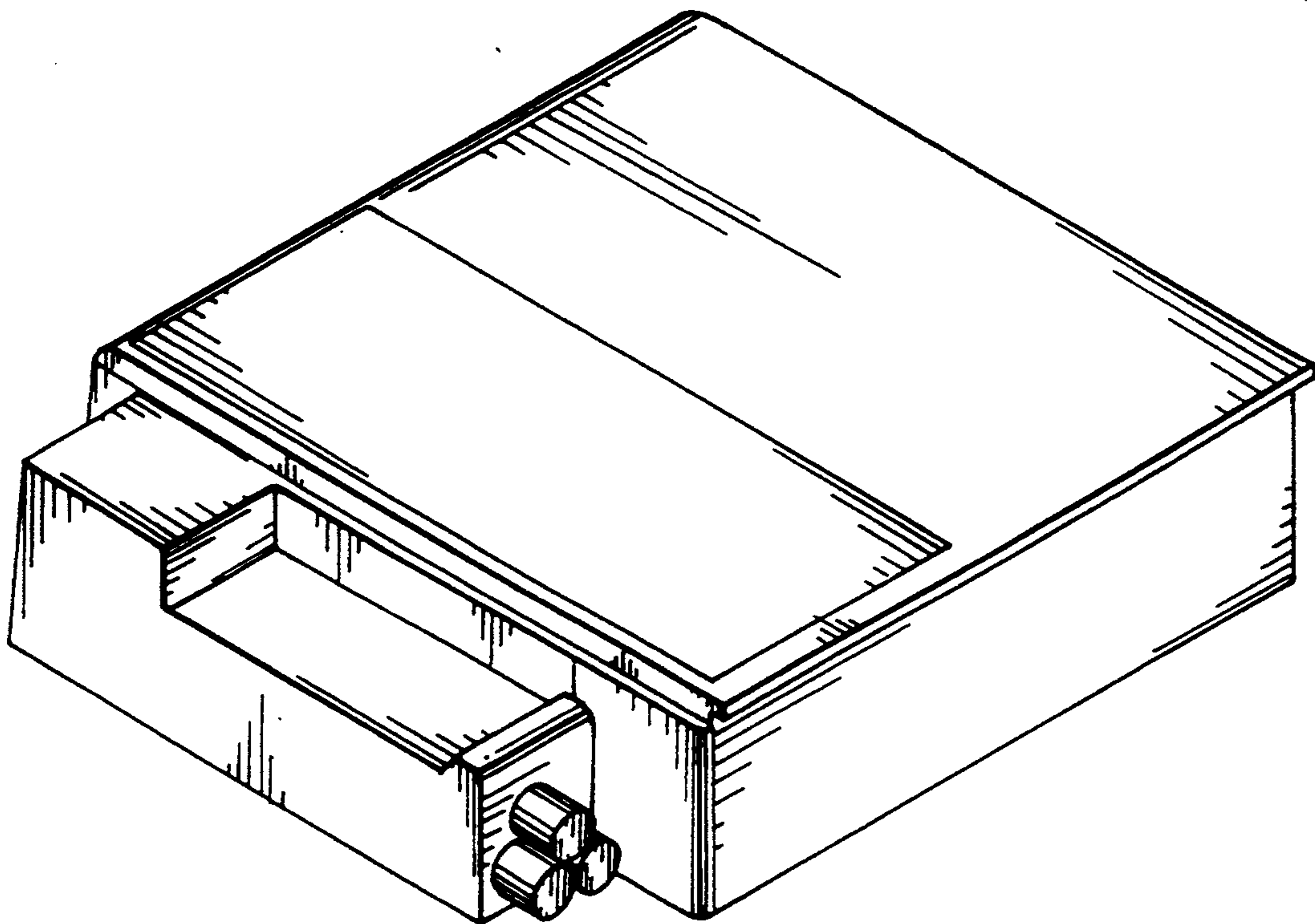
*Primary Examiner*—Wallace R. Burke  
*Assistant Examiner*—Joel Sincavage  
*Attorney, Agent, or Firm*—Christensen, O'Connor, Johnson & Kindness

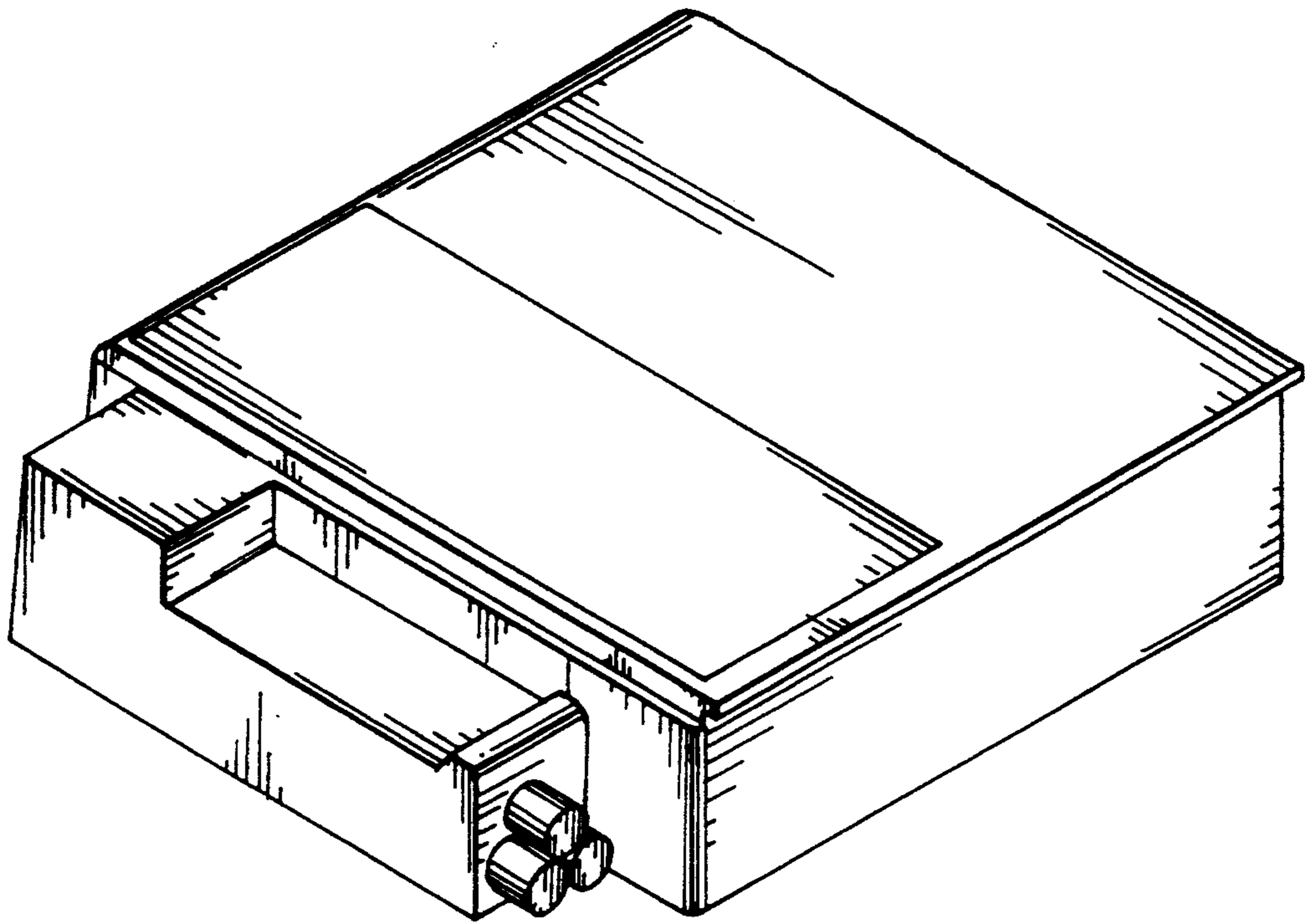
### [57] CLAIM

The ornamental design for a battery pack for use with a medical instrument, as shown and described.

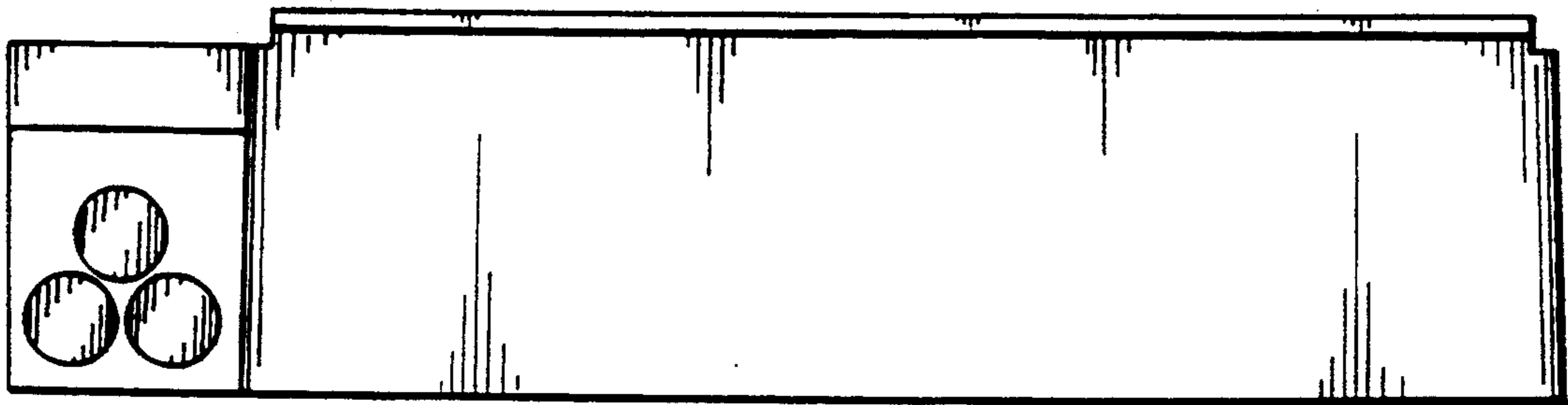
### DESCRIPTION

FIG. 1 is a perspective view of the battery pack for use with a medical instrument, showing the new design; FIG. 2 is a front view of the battery pack; FIG. 3 is a back view of the battery pack; FIG. 4 is a left side view of the battery pack; FIG. 5 is a right side view of the battery pack; FIG. 6 is a top view of the battery pack; FIG. 7 is a bottom view of the battery pack; FIG. 8 is a perspective view of the back of the battery pack; and, FIG. 9 is a perspective view of the bottom of the battery pack.

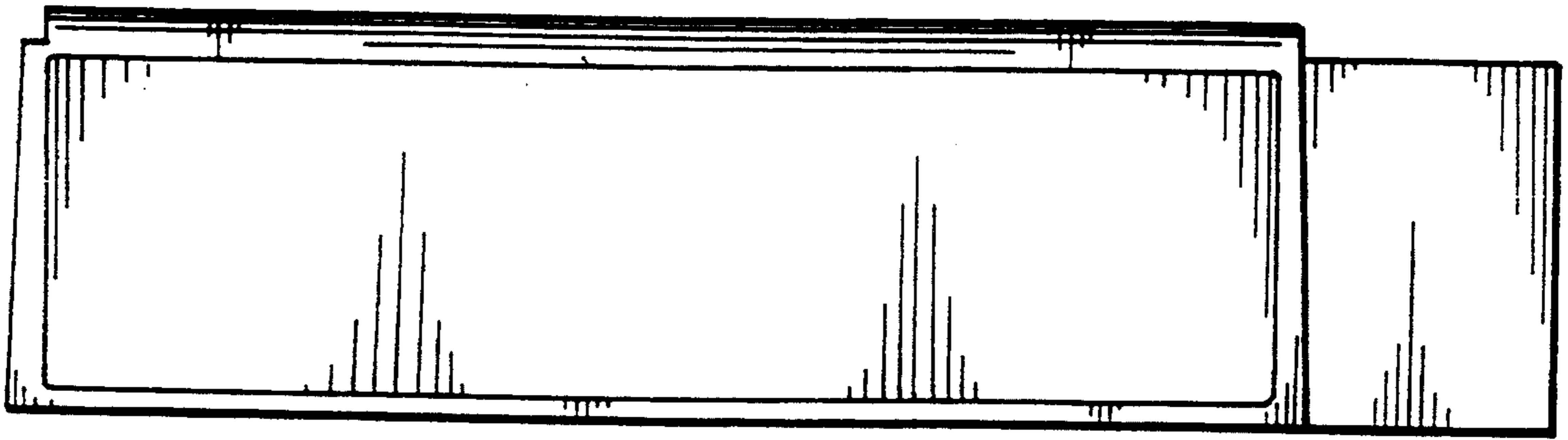




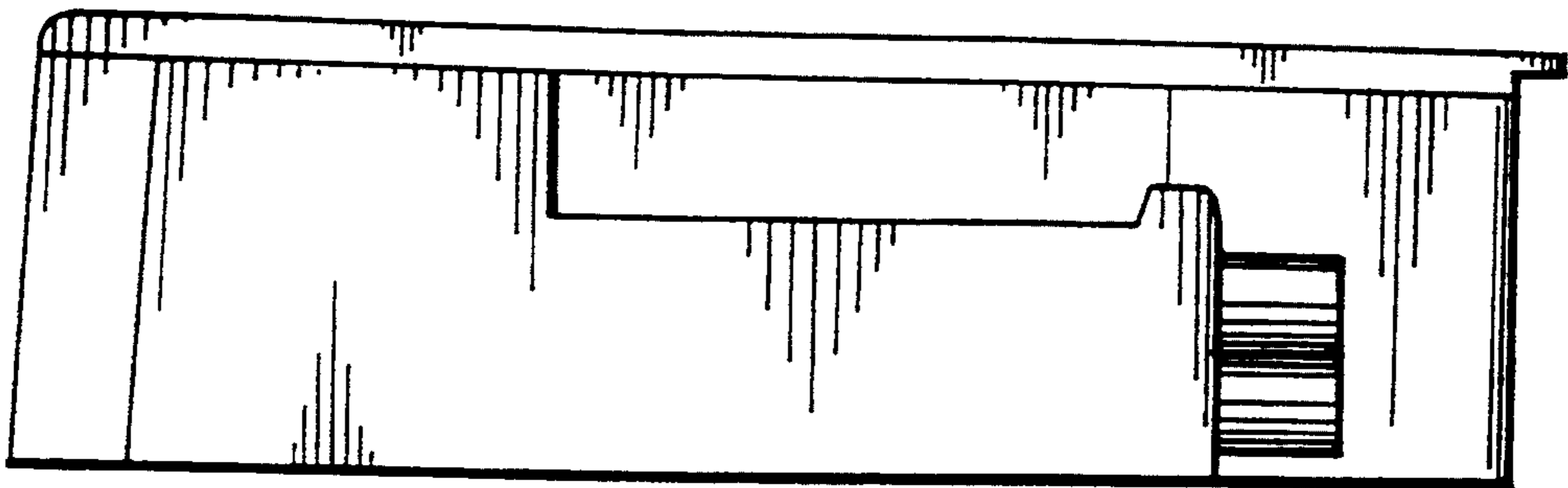
*Fig. 1.*



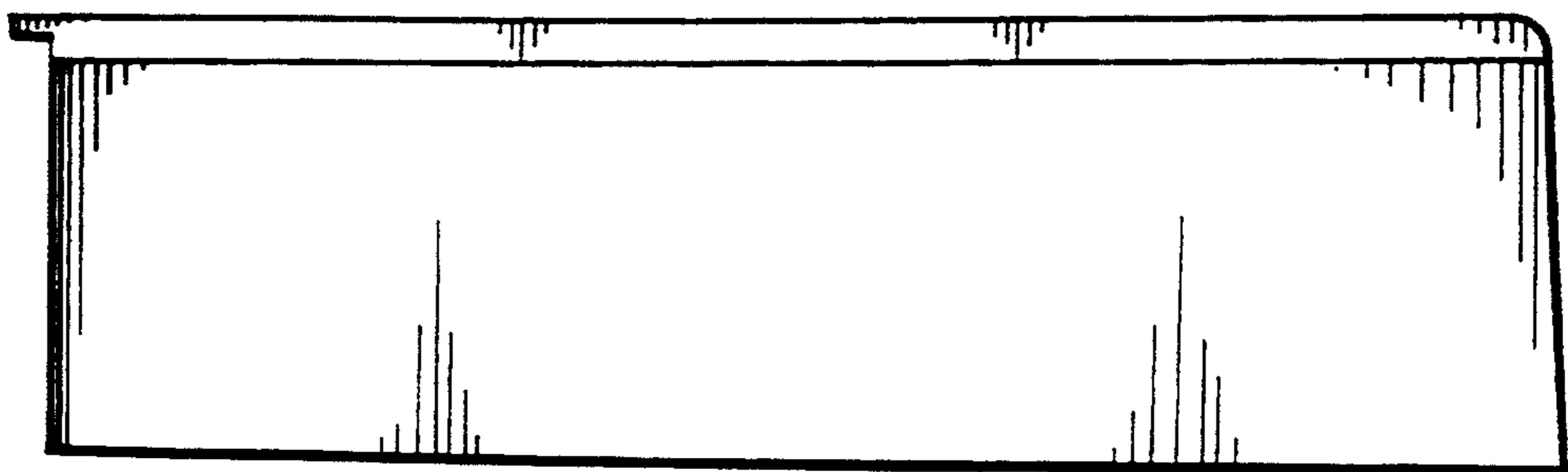
*Fig. 2.*



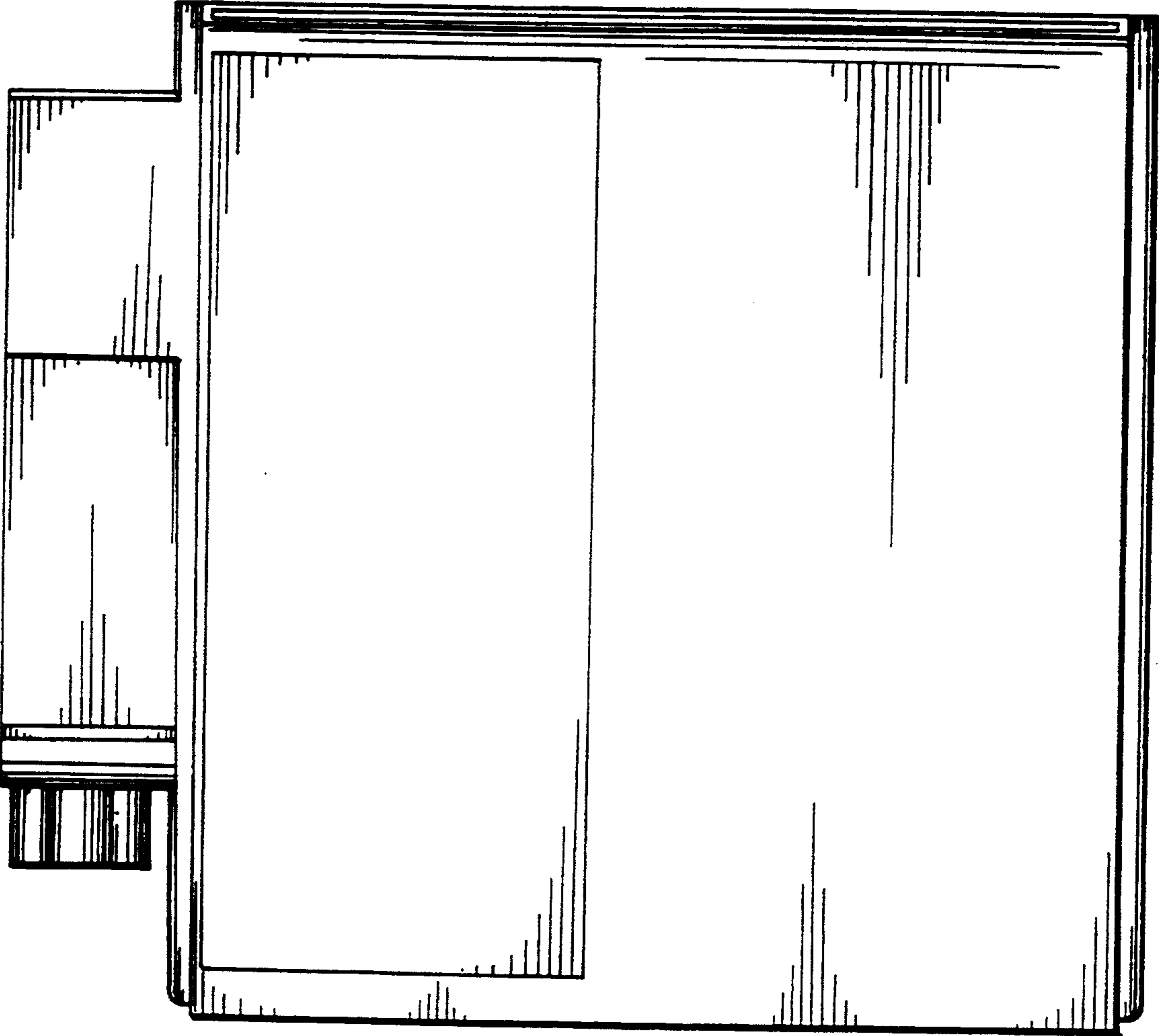
*Fig. 3.*



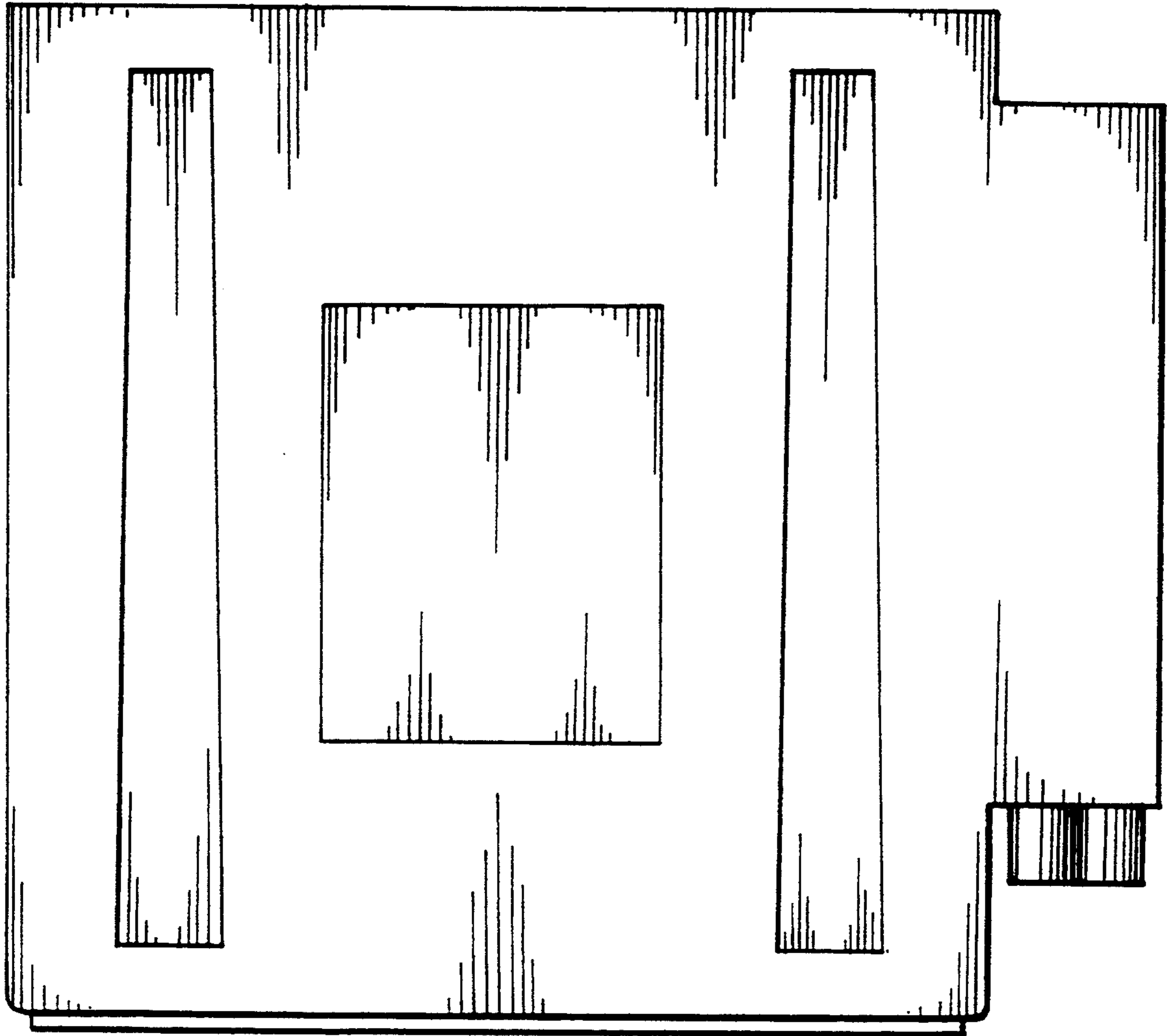
*Fig. 4.*



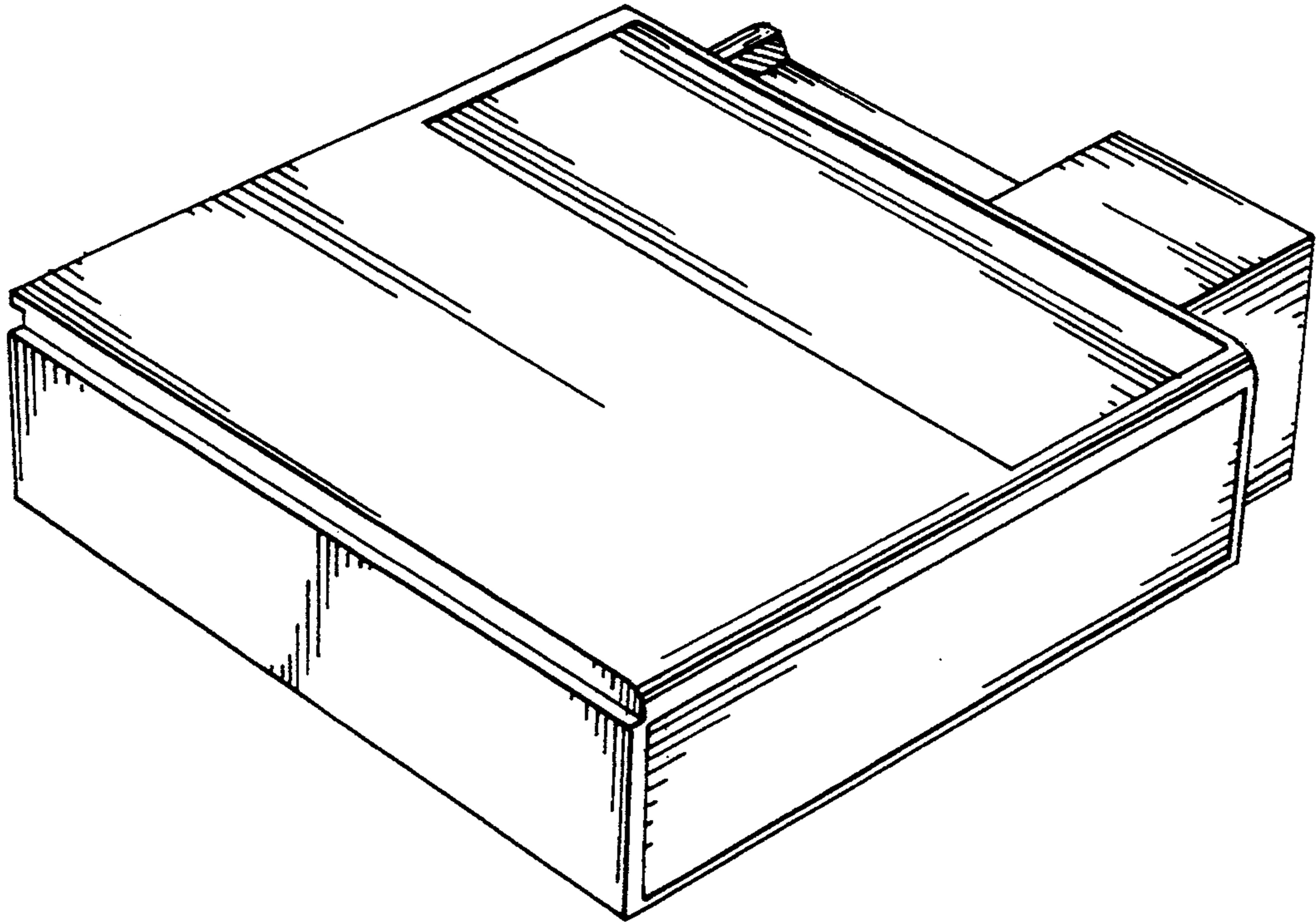
*Fig. 5.*



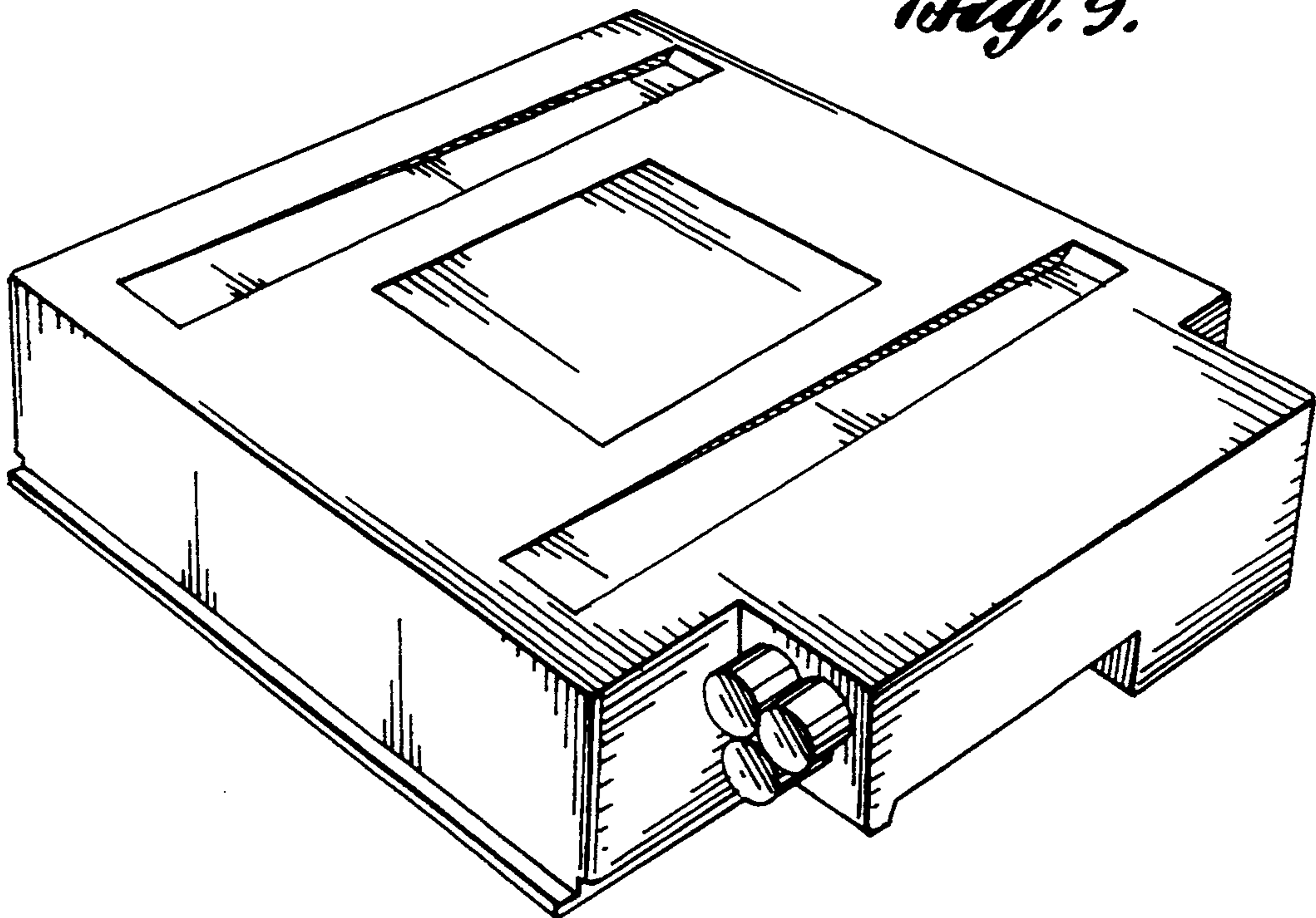
*Fig. 6.*



*Fig. 7.*



*Fig. 8.*



*Fig. 9.*