



US00D349463S

United States Patent [19]

Beattie

[11] Patent Number: **Des. 349,463**

[45] Date of Patent: **** Aug. 9, 1994**

[54] SHEET ROCK T-SQUARE HOLDER

[76] Inventor: **Robert L. Beattie**, 233 San Nicolas, Santa Barbara, Calif. 93109

[**] Term: **14 Years**

[21] Appl. No.: **6,339**

[22] Filed: **Mar. 24, 1993**

[52] U.S. Cl. **D10/74; D8/349**

[58] Field of Search **D8/349, 354; 33/437, 33/404, 430, 433, 443-447; 248/484, 448; D10/61, 62, 65, 74; D15/140**

4,553,327 11/1985 Watanabe 33/32.2

4,680,864 7/1987 Heagerty 33/32.2

4,956,919 9/1990 Granger 33/32.2

Primary Examiner—Alan P. Douglas

Assistant Examiner—Antoine D. Davis

Attorney, Agent, or Firm—Terry M. Gernstein

[57] CLAIM

The ornamental design for a sheet rock t-square holder, as shown and described.

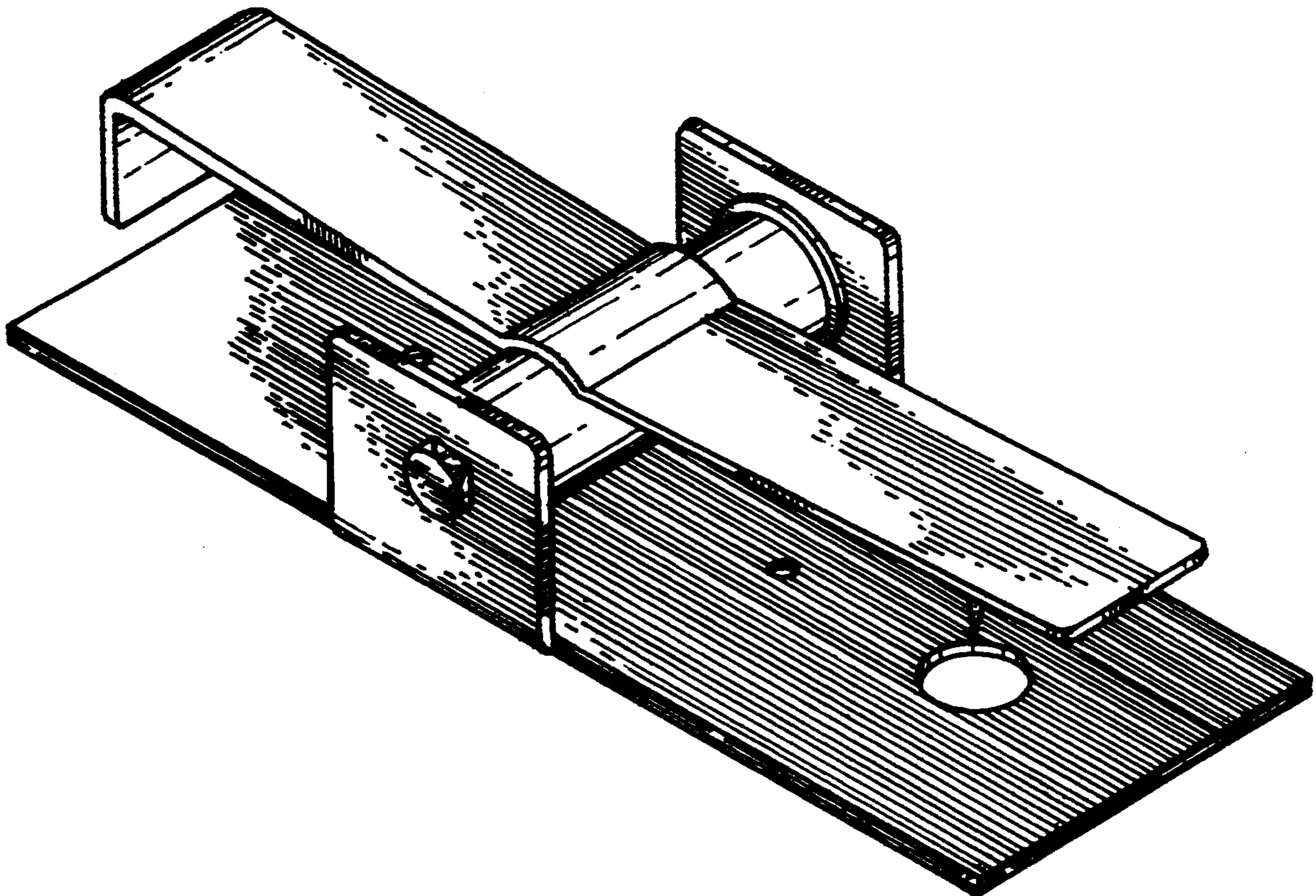
DESCRIPTION

FIG. 1 is a front, top and side perspective view of the sheet rock t-square holder showing my new design; FIG. 2 is a front end elevational view thereof; FIG. 3 is a rear end elevational view thereof; FIG. 4 is a side elevational view thereof; FIG. 5 is a side elevational view thereof; FIG. 6 is a top plan view thereof; and, FIG. 7 is a bottom plan view thereof.

[56] References Cited

U.S. PATENT DOCUMENTS

D. 249,128	8/1978	Stokey	D10/74
733,279	7/1903	Sang	33/437
802,202	10/1905	Dougan	33/437
1,389,904	6/1921	Rodolph	33/437
1,451,189	4/1923	Vanderpool	33/437



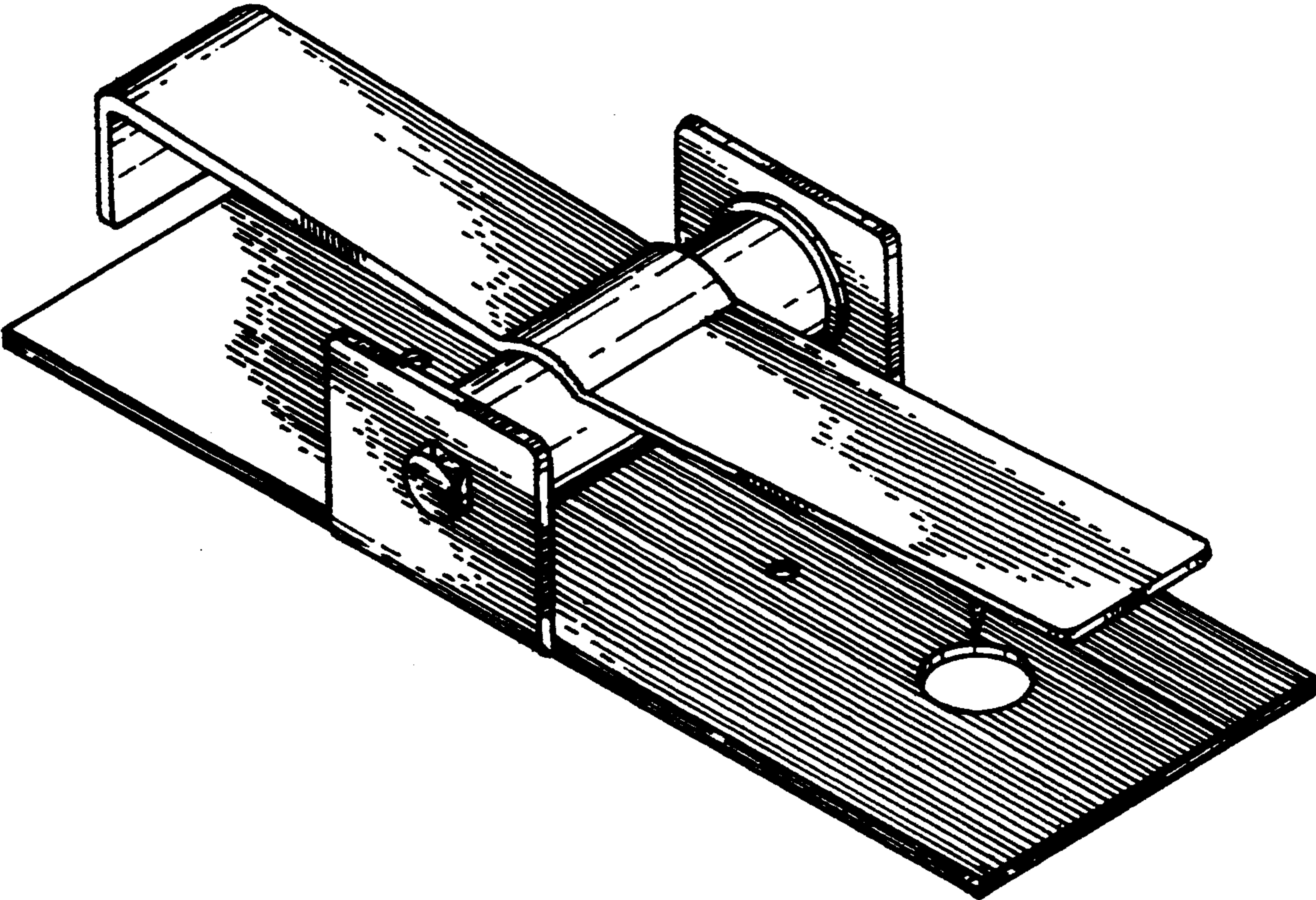


FIG.1

FIG. 2



FIG. 3

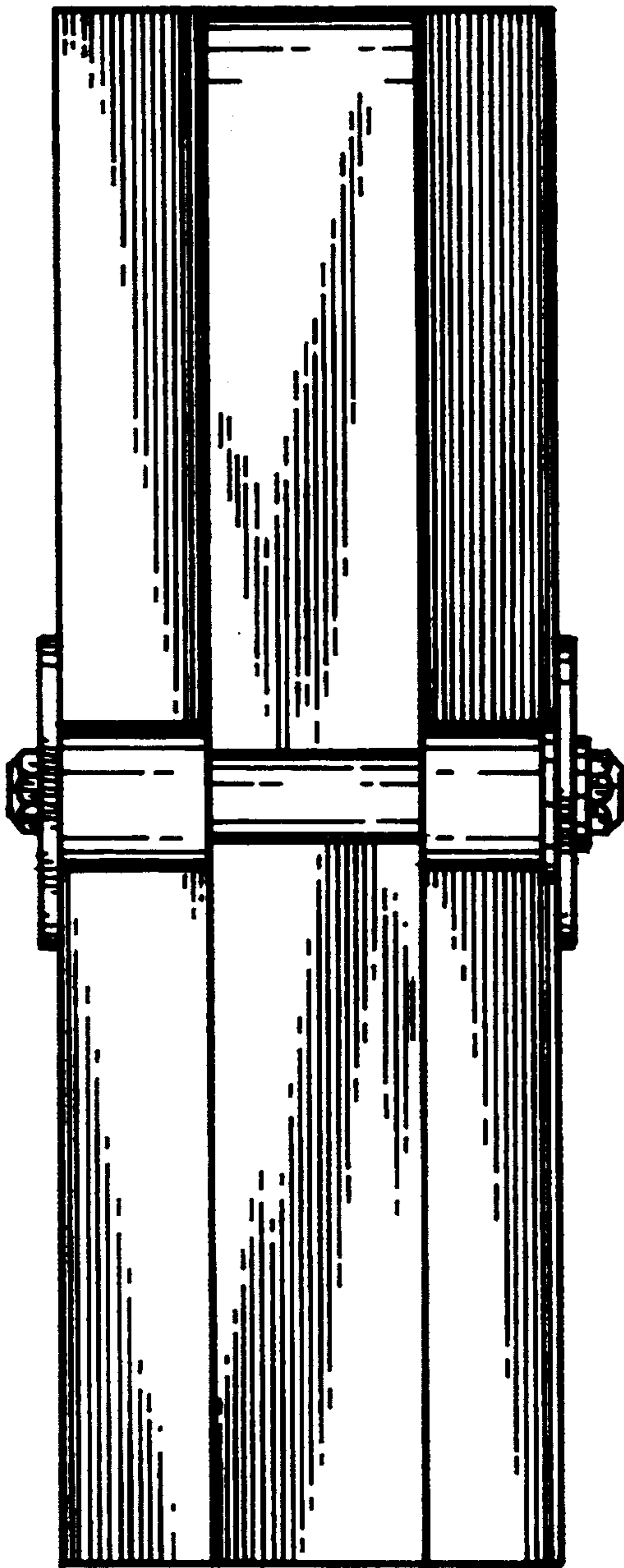
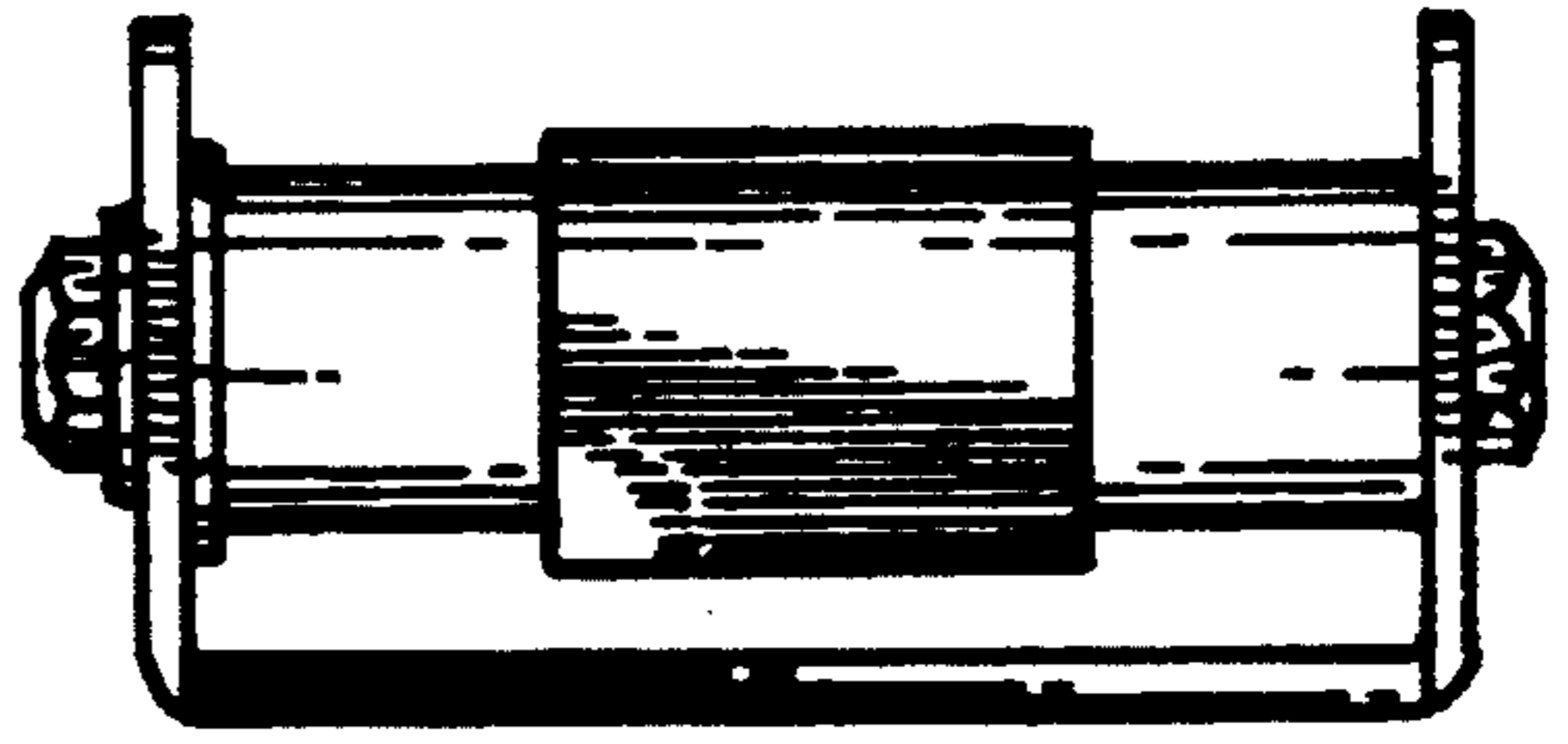


FIG. 6

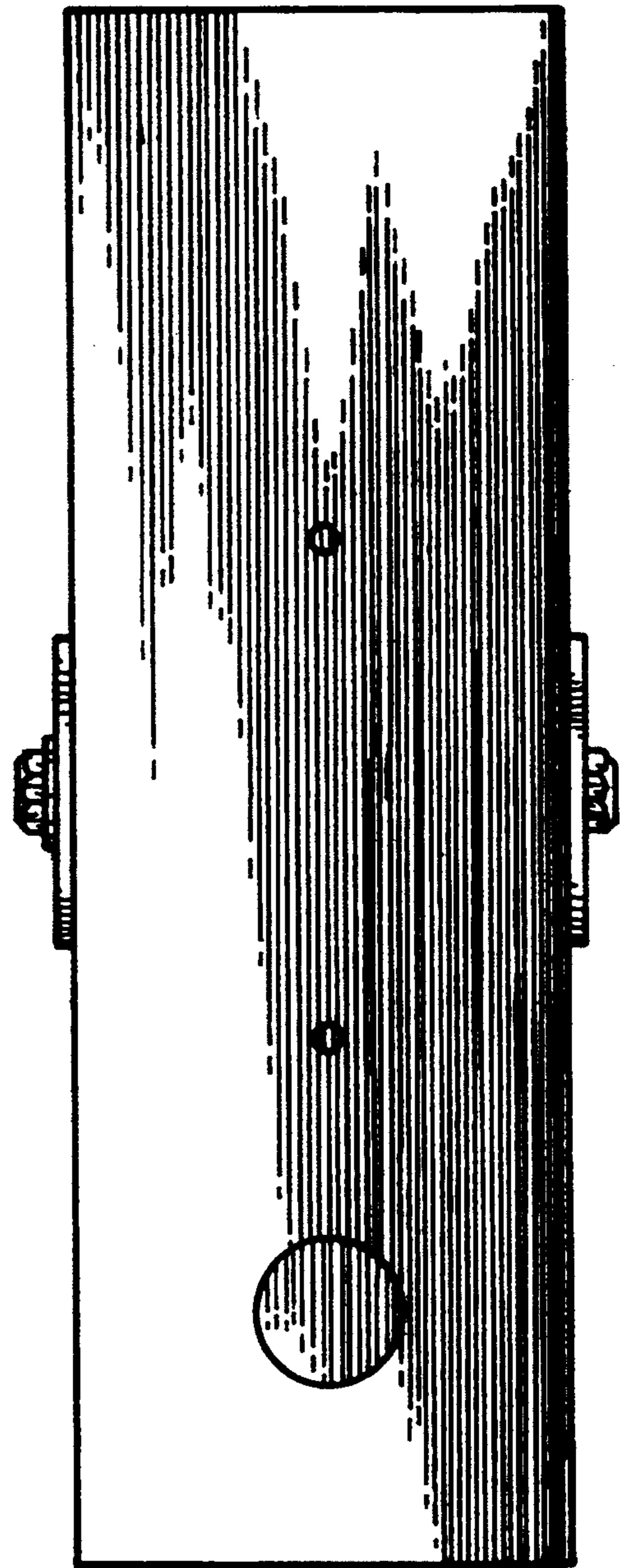


FIG. 7

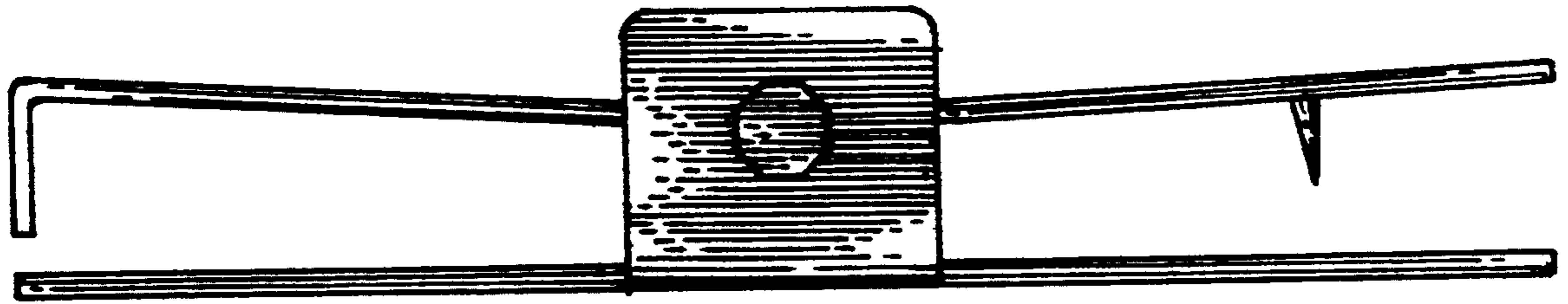


FIG. 4

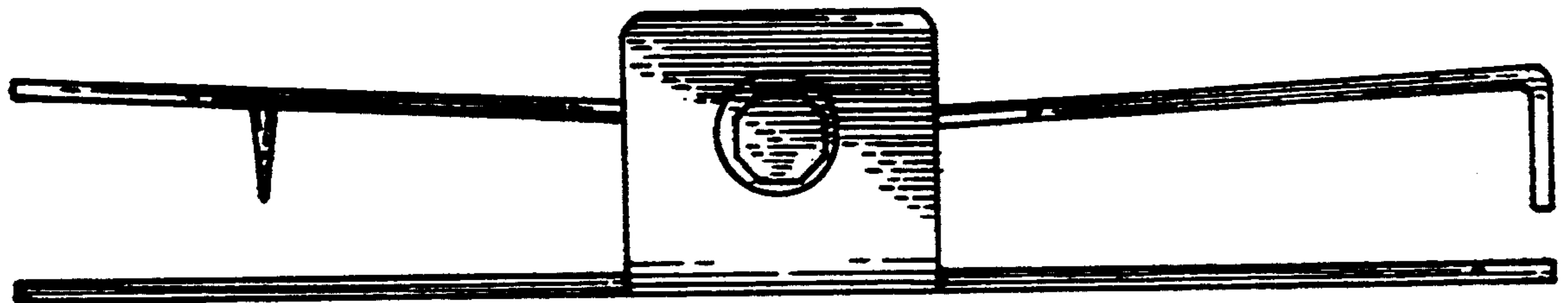


FIG. 5