



US00D349457S

# United States Patent [19]

[11] Patent Number: **Des. 349,457**

Nottingham et al.

[45] Date of Patent: **\*\* Aug. 9, 1994**

- [54] PACKAGE FOR A TOY
- [75] Inventors: **John R. Nottingham; John W. Spirk, Jr.,** both of Moreland Hills; **Jeffrey M. Kalman,** Cleveland Heights; **Patrick J. Coyne,** Shaker heights, all of Ohio
- [73] Assignee: **Nottingham-Spirk Design Associates, Inc.,** Cleveland, Ohio
- [\*\*] Term: **14 Years**
- [21] Appl. No.: **827,922**
- [22] Filed: **Jan. 24, 1992**
- [52] U.S. Cl. .... **D9/415**
- [58] Field of Search ..... **D9/415, 418, 341, 346, D9/414; 206/461-471, 45.34, 45.31, 315.1, 328, 338, 389, 806; 224/921**

5,129,517 7/1992 Hustad ..... 206/467

*Primary Examiner*—Prabhakar G. Deshmukh  
*Attorney, Agent, or Firm*—Calfee, Halter & Griswold

### [57] CLAIM

The ornamental design for a package for a toy, as shown and described.

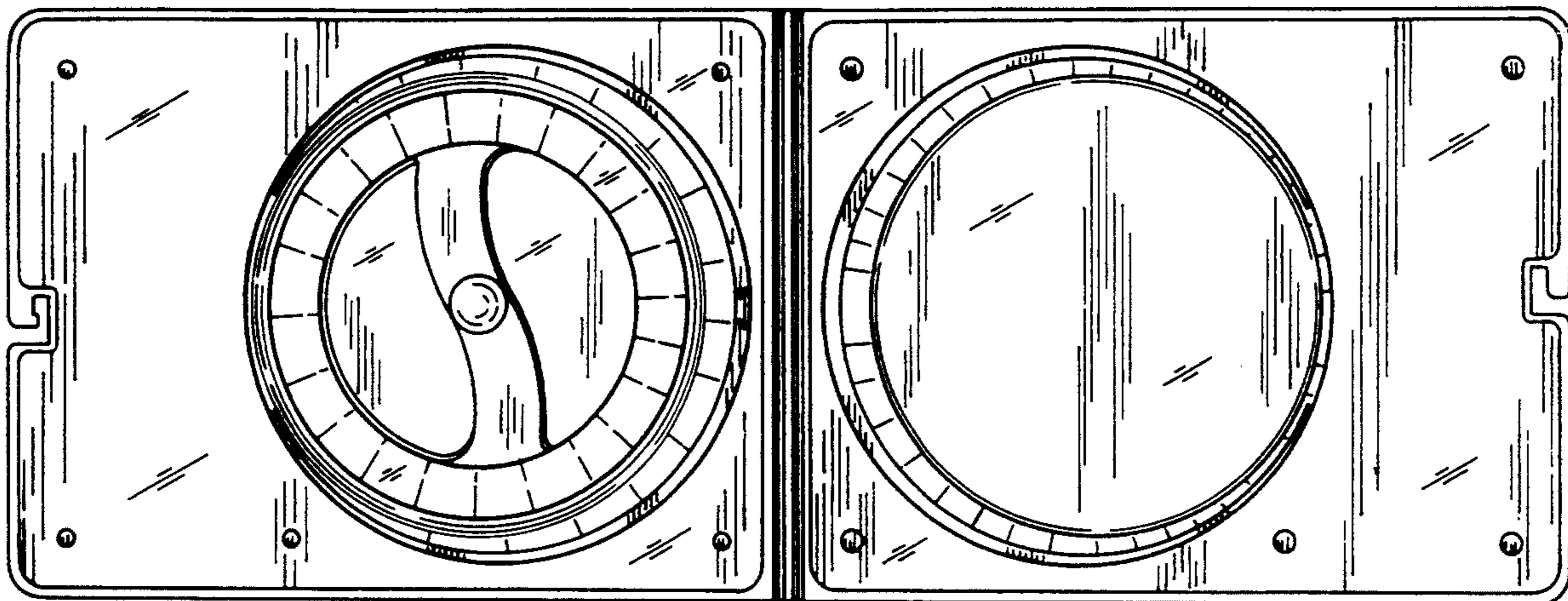
### DESCRIPTION

FIG. 1 is top a plan view of a package for a toy showing our new design; shown in an open condition;  
 FIG. 2 is a bottom plan view thereof;  
 FIG. 3 is a left side elevational view thereof; the right side elevational view being a mirror image thereof;  
 FIG. 4 is a right side elevational view thereof; shown in fully assembled condition;  
 FIG. 5 is a left side elevational view thereof; shown in fully assembled condition;  
 FIG. 6 is a top plan view of a second embodiment of FIG. 1; shown in an open condition;  
 FIG. 7 is a bottom plan view of FIG. 6;  
 FIG. 8 is a left side elevaitonal view of FIG. 6;  
 FIG. 9 is a right side elevational view of FIG. 6;  
 FIG. 10 is a right side elevational view of FIG. 6; shown in fully assembled condition; and,  
 FIG. 11 is a left side elevational view of FIG. 6; shown in fully assembled condition.

### [56] References Cited

#### U.S. PATENT DOCUMENTS

D. 283,488	4/1986	Stevens	.....	D9/415	X
D. 305,408	1/1990	Lajoie	.....	D9/415	
D. 328,249	7/1992	Lee	.....	D9/415	
3,881,257	5/1975	Chasen	.....	206/461	X
4,469,226	9/1984	Matney	.....	206/461	X
4,781,289	11/1988	Perkins	.....	206/461	X



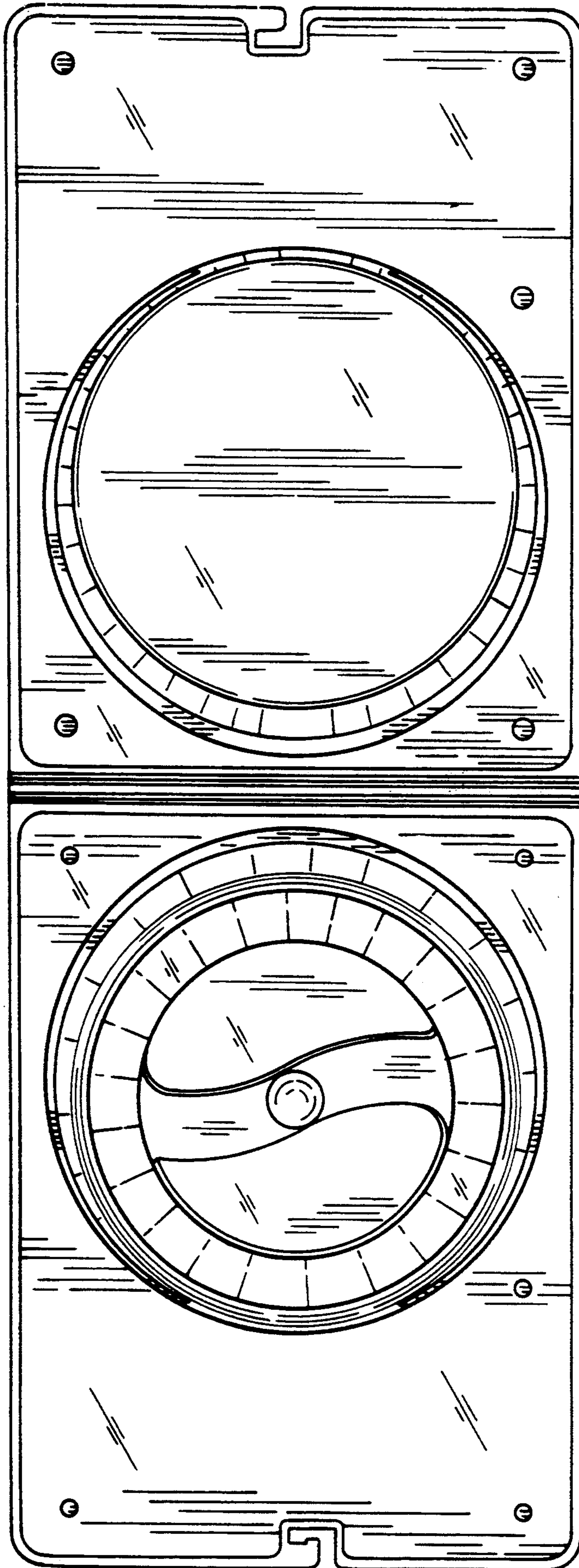


FIG. 1



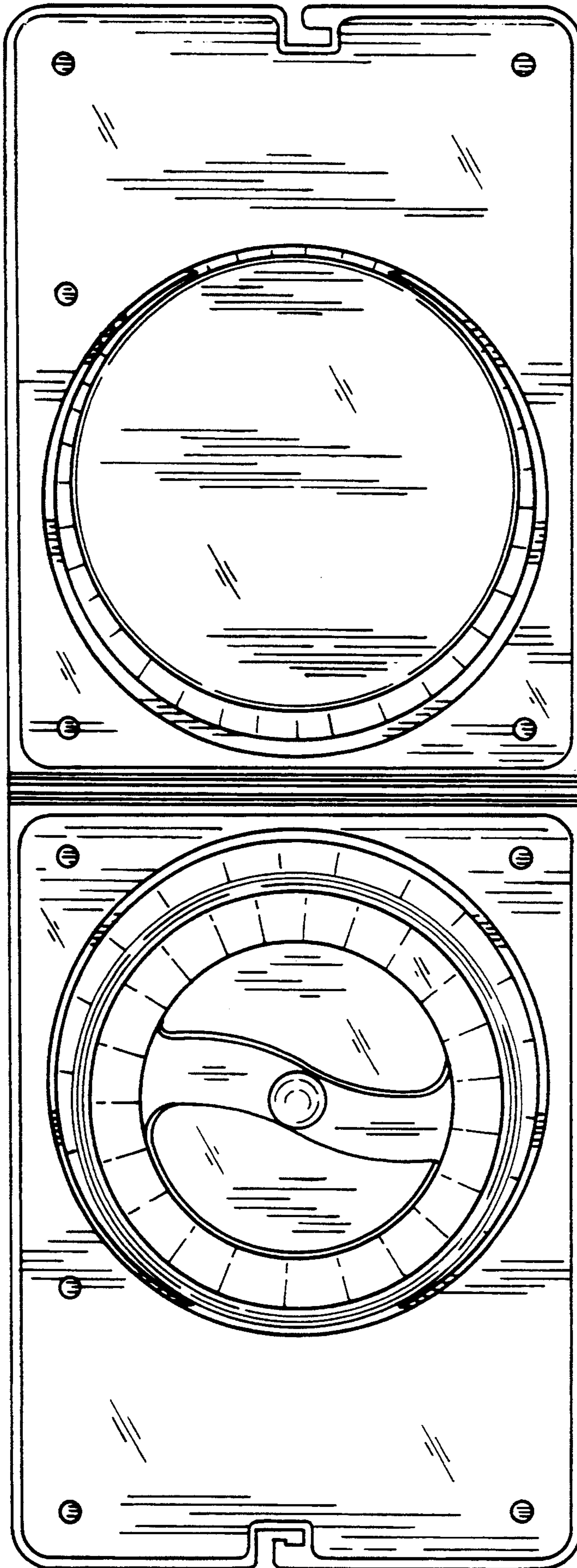


FIG. 2

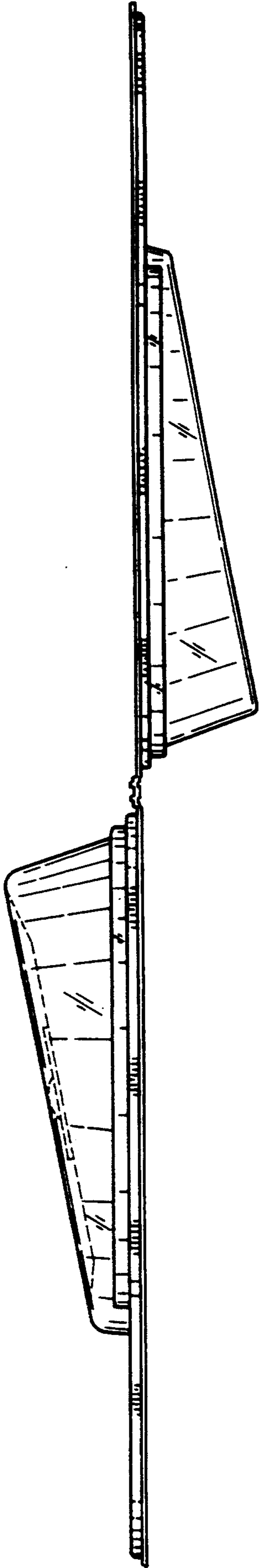


FIG. 3

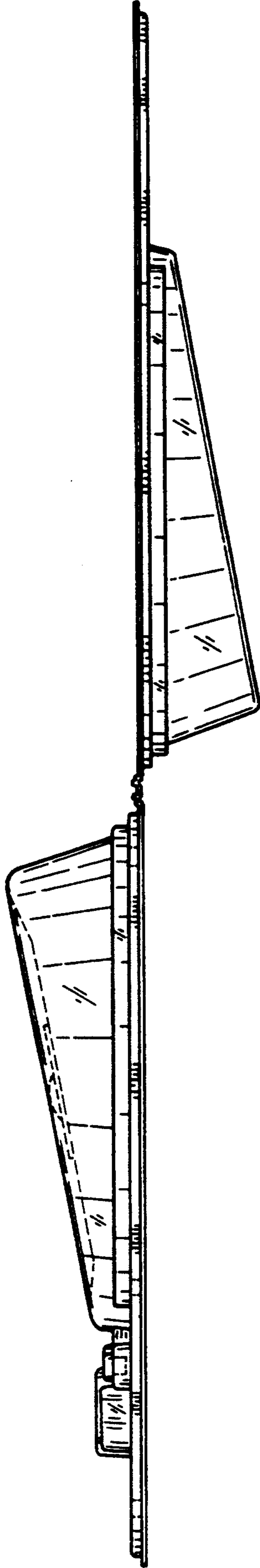


FIG. 8

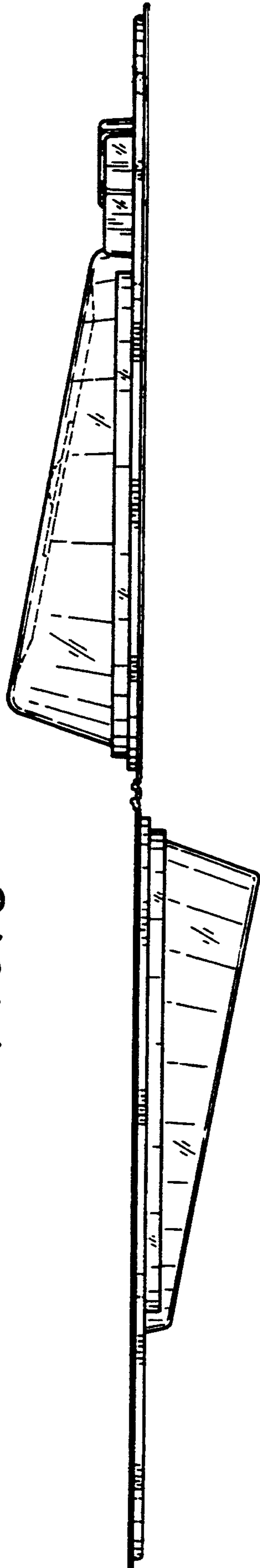
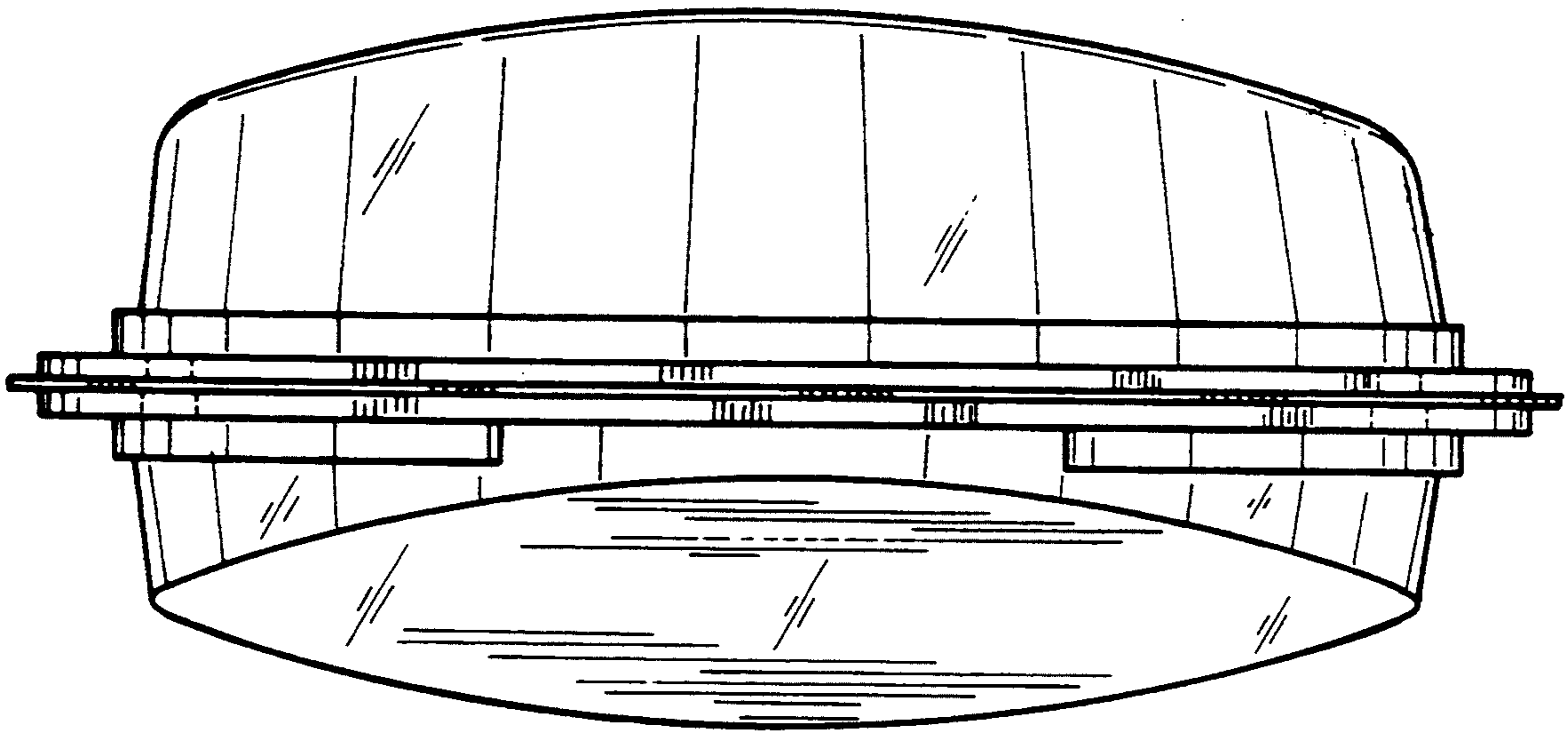
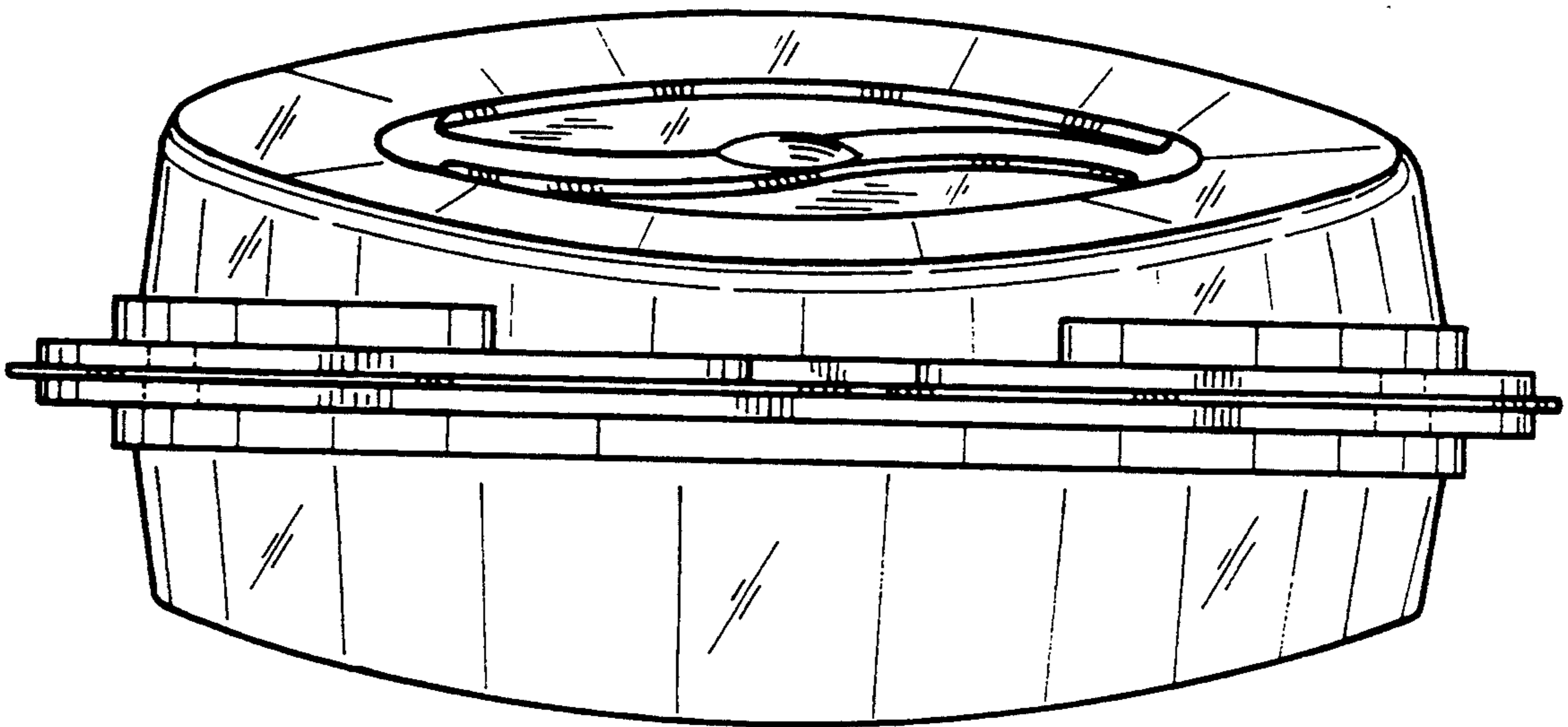


FIG. 9



*FIG. 4*



*FIG. 5*

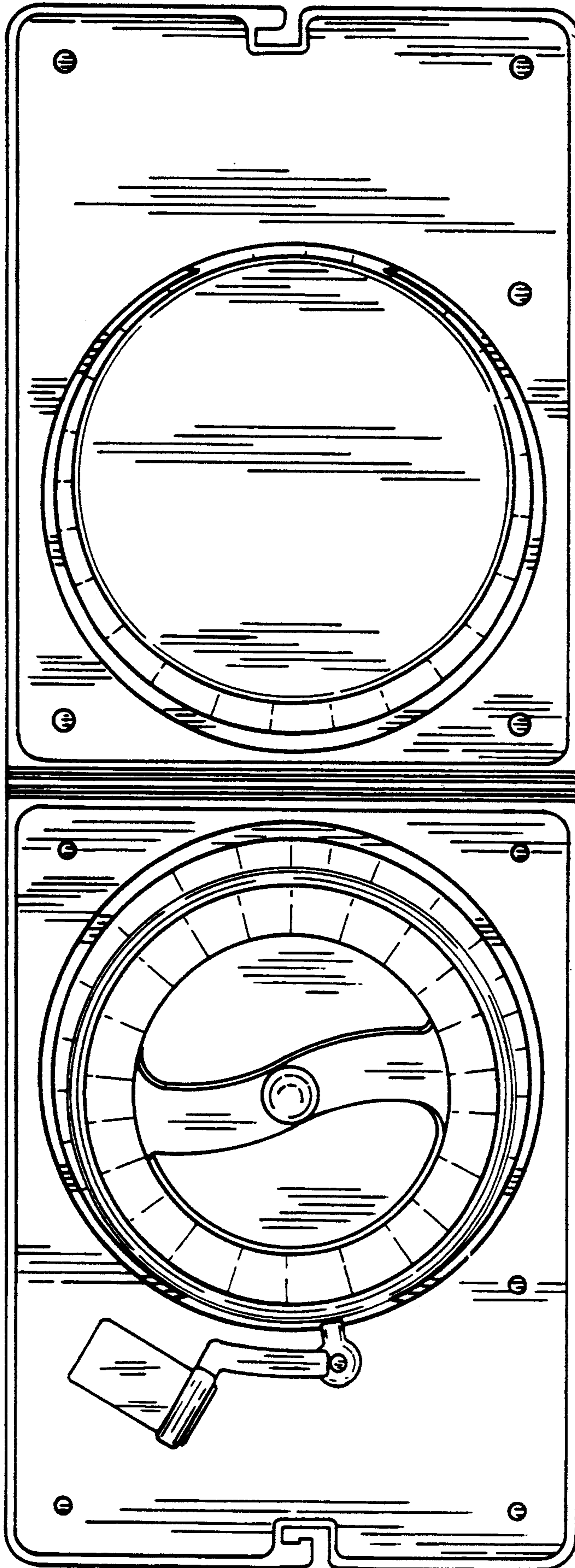


FIG. 6



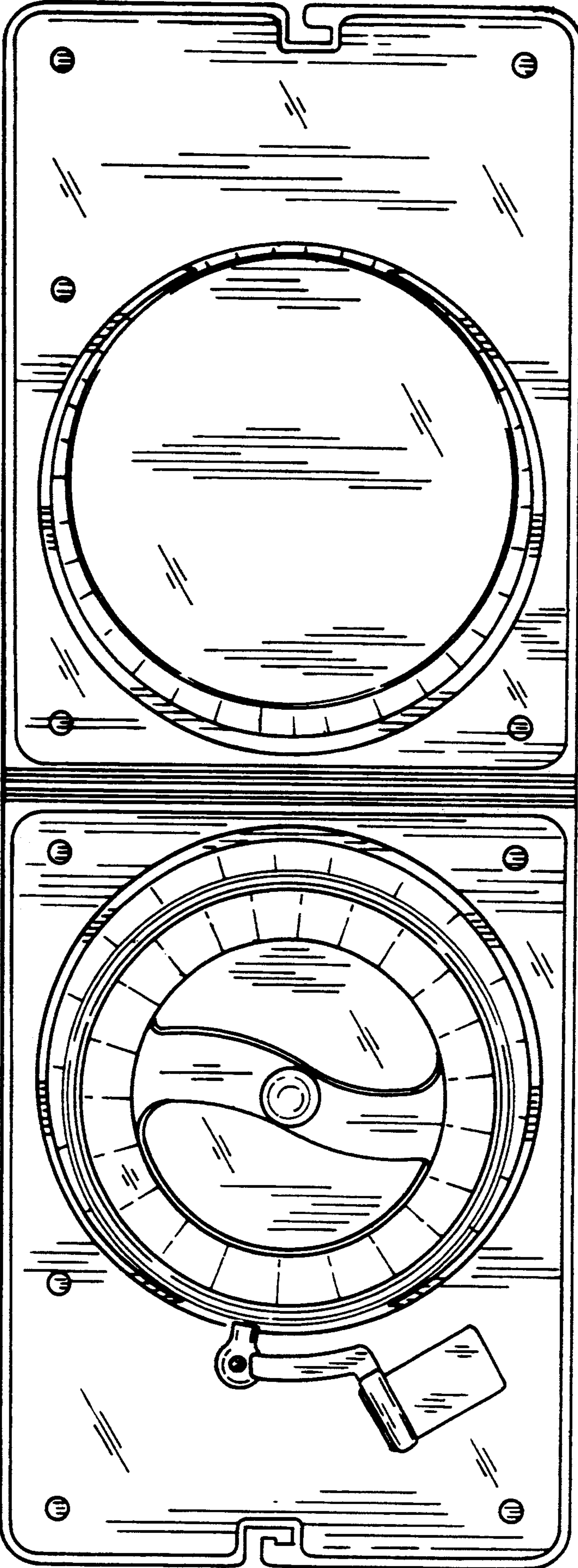
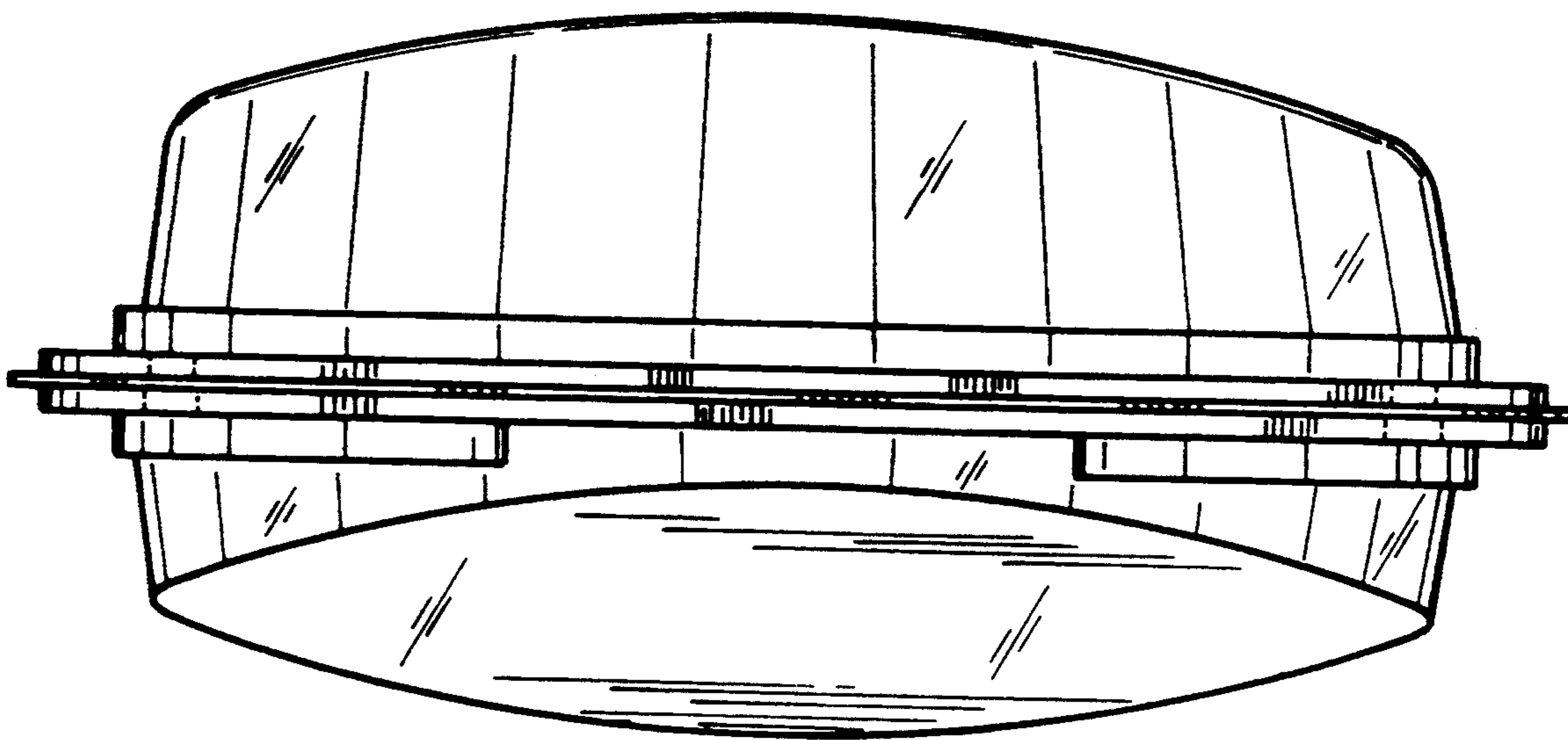
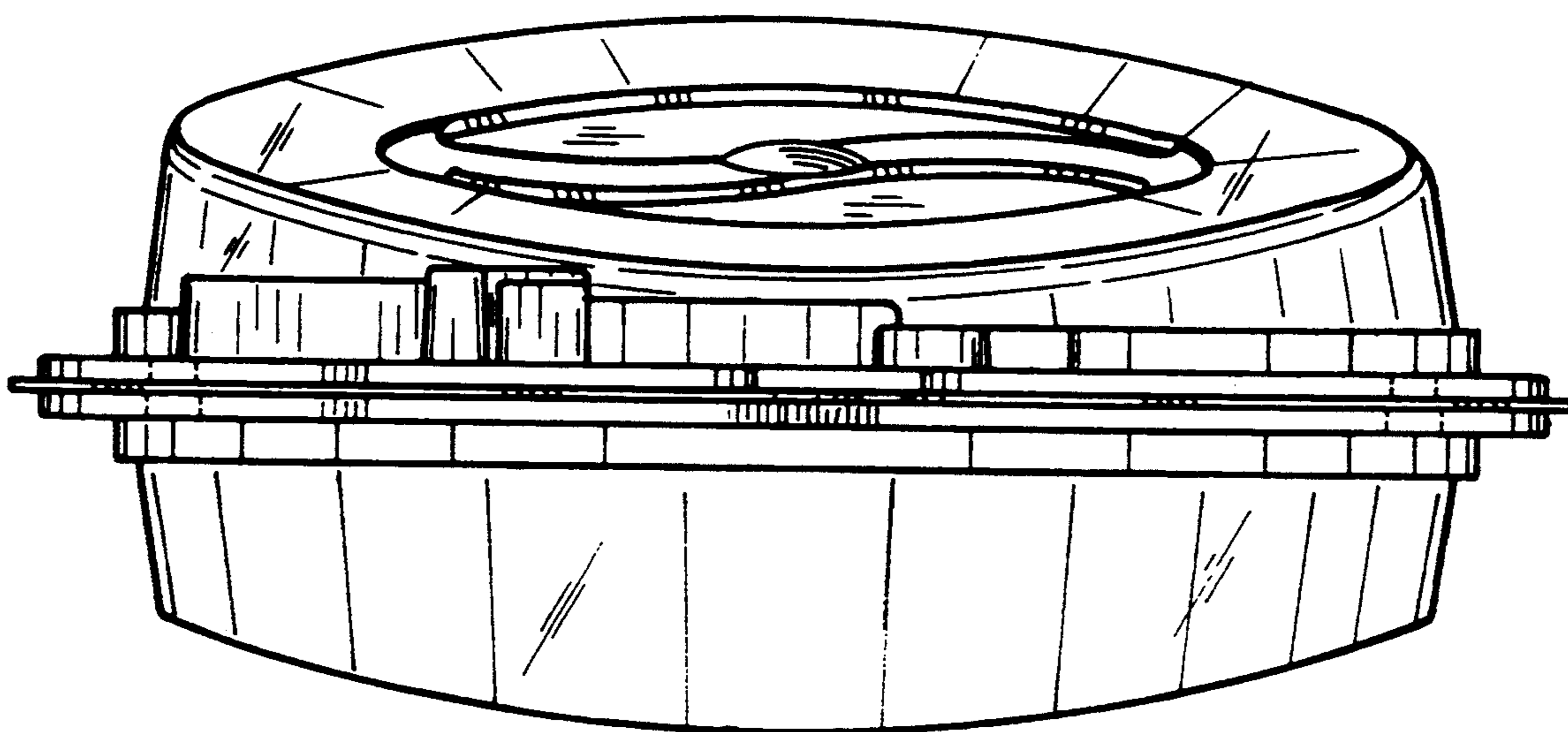


FIG. 7



*FIG. 10*



*FIG. 11*