



US00D349456S

United States Patent [19]

Wilson

[11] Patent Number: **Des. 349,456**

[45] Date of Patent: **** Aug. 9, 1994**

[54] CONTAINER

5,123,527 6/1992 Hustad 229/902 X

[75] Inventor: **Phillip S. Wilson**, Bremen, Ga.

[73] Assignee: **King Packaging, Inc.**, Bremen, Ga.

[**] Term: **14 Years**

[21] Appl. No.: **1,099**

[22] Filed: **Nov. 3, 1992**

[52] U.S. Cl. **D9/347; D9/341; D9/425**

[58] Field of Search **D9/341-348, D9/424, 435, 414, 416, 431, 456; D7/555, 550, 553, 560, 601, 602; 206/45.34, 45.31, 223, 541, 563, 564, 557; 220/500, 521, 528, 556, 555; 229/902, 904, 906, 2.5 R, DIG. 13; 426/119, 106, 125, 123**

[56] **References Cited**

U.S. PATENT DOCUMENTS

D. 279,865	7/1985	McKee	D9/347
D. 292,379	10/1987	Pollitt	D9/425 X
D. 293,767	1/1988	Powers	D9/347
D. 339,522	9/1993	Zoss	D9/425 X
3,344,974	10/1967	Bostrom	220/675 X
3,669,257	6/1972	Janicke	426/119

OTHER PUBLICATIONS

Modern Packaging, 1963, p. 88, bottom right package. Packaging Feb. 1989, p. 78 as shown.

Food Processing Industry, 1970, p. 118 as shown.

Primary Examiner—Prabhakar G. Deshmukh
Attorney, Agent, or Firm—Kilpatrick & Cody

[57] **CLAIM**

The ornamental design for a container, as shown and described.

DESCRIPTION

FIG. 1 is an exploded perspective view of a container showing my new design;

FIG. 2 is a perspective view thereof with cover;

FIG. 3 is a top plan view of a bottom container without cover; shown separately for clarity of illustration;

FIG. 4 is a front elevational view of FIG. 3;

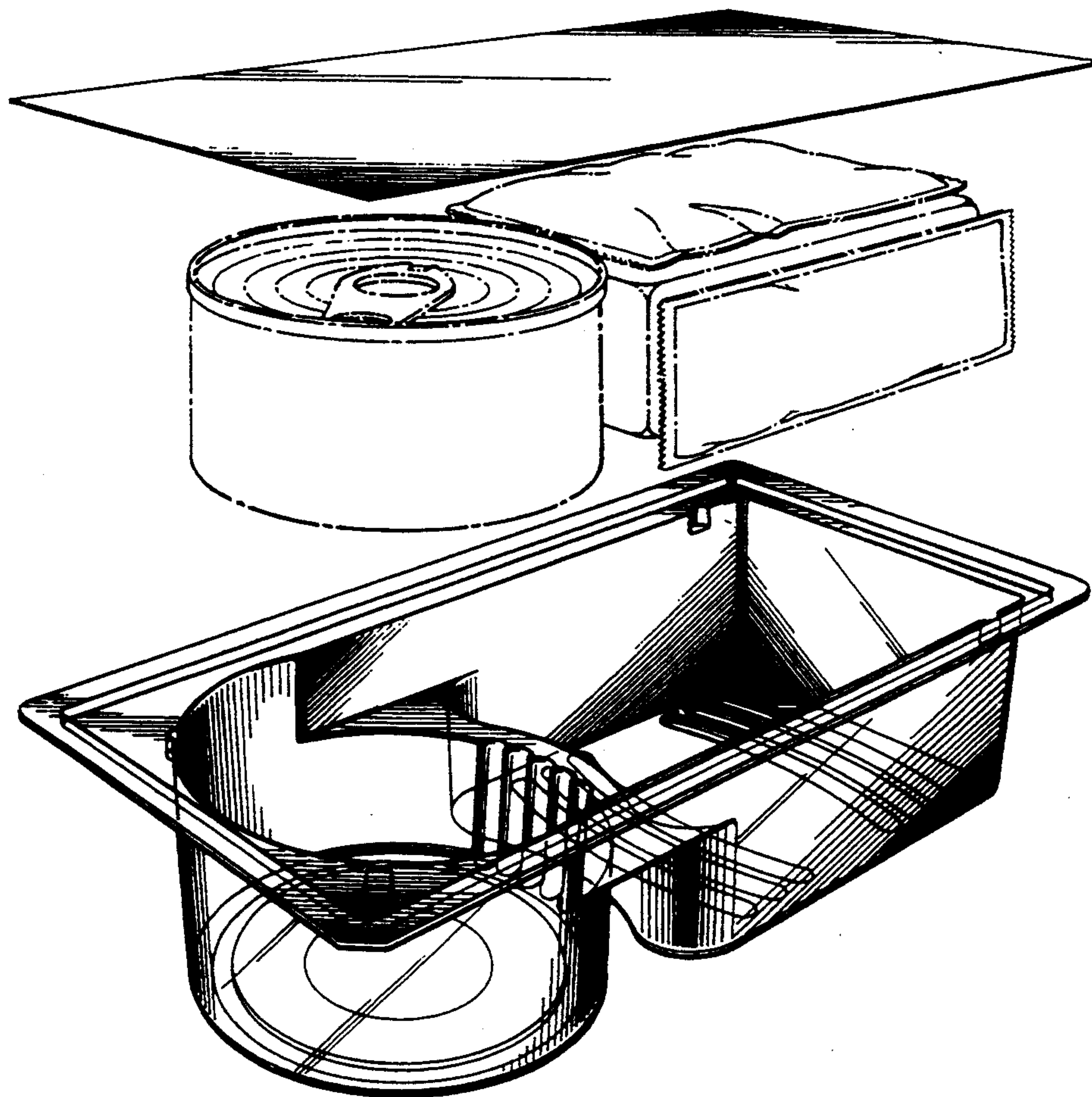
FIG. 5 is a left side elevational view of FIG. 3;

FIG. 6 is a bottom plan view of FIG. 3;

FIG. 7 is a rear elevational view of FIG. 3; and,

FIG. 8 is a right side elevational view of FIG. 3.

The broken line showing of the inside containers is for illustrative purpose only and forms no part of the claim.



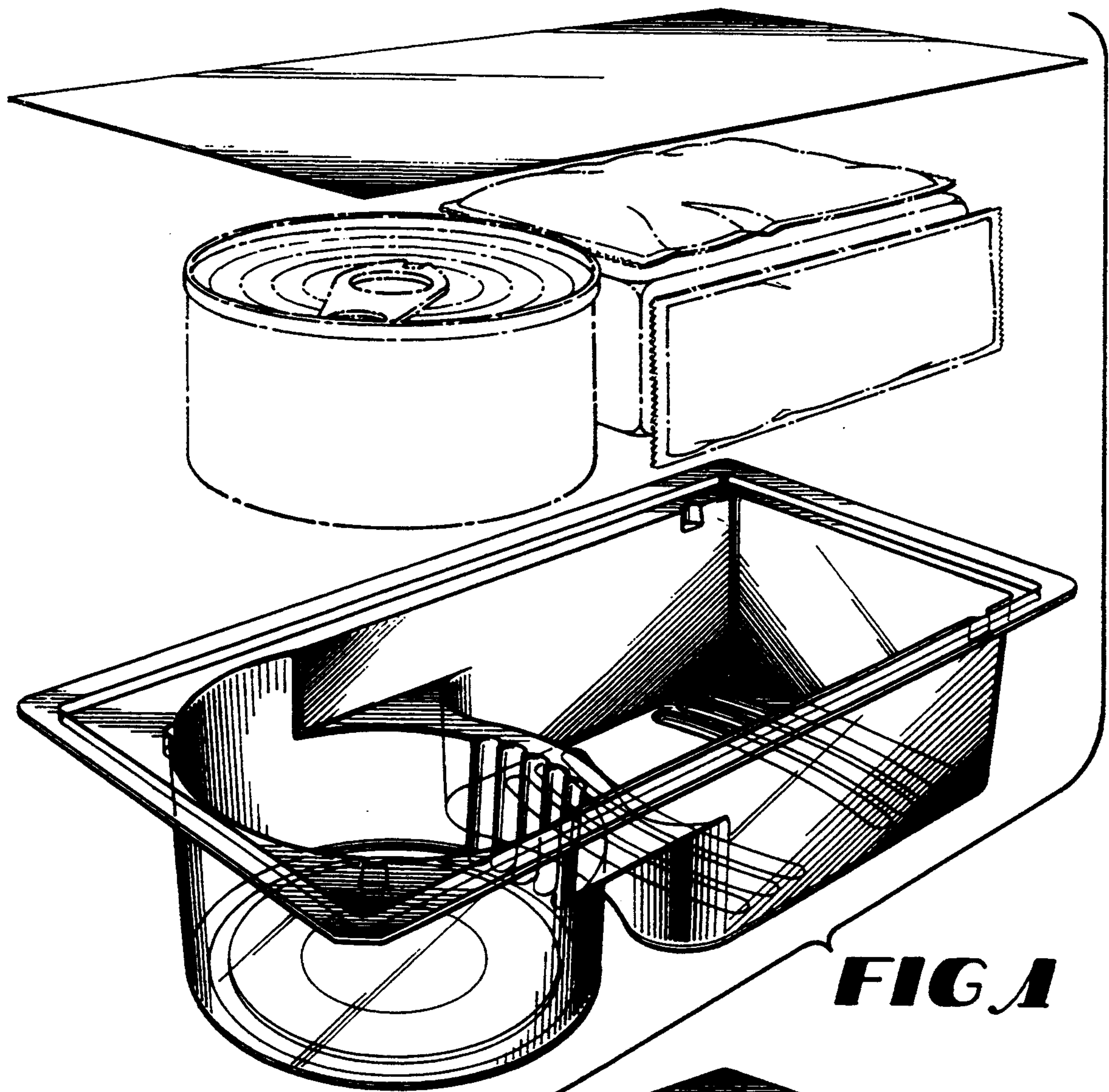


FIG 1

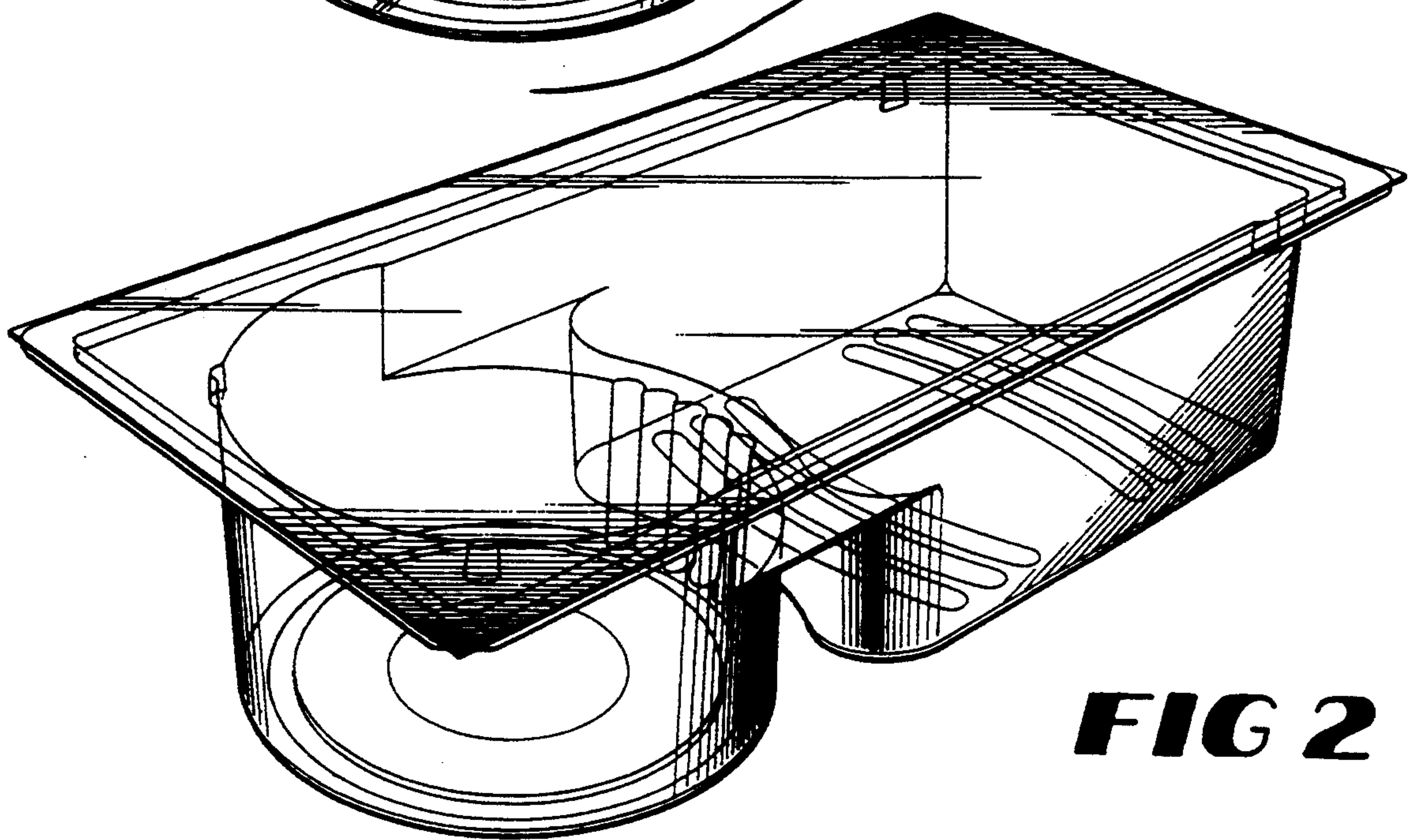


FIG 2

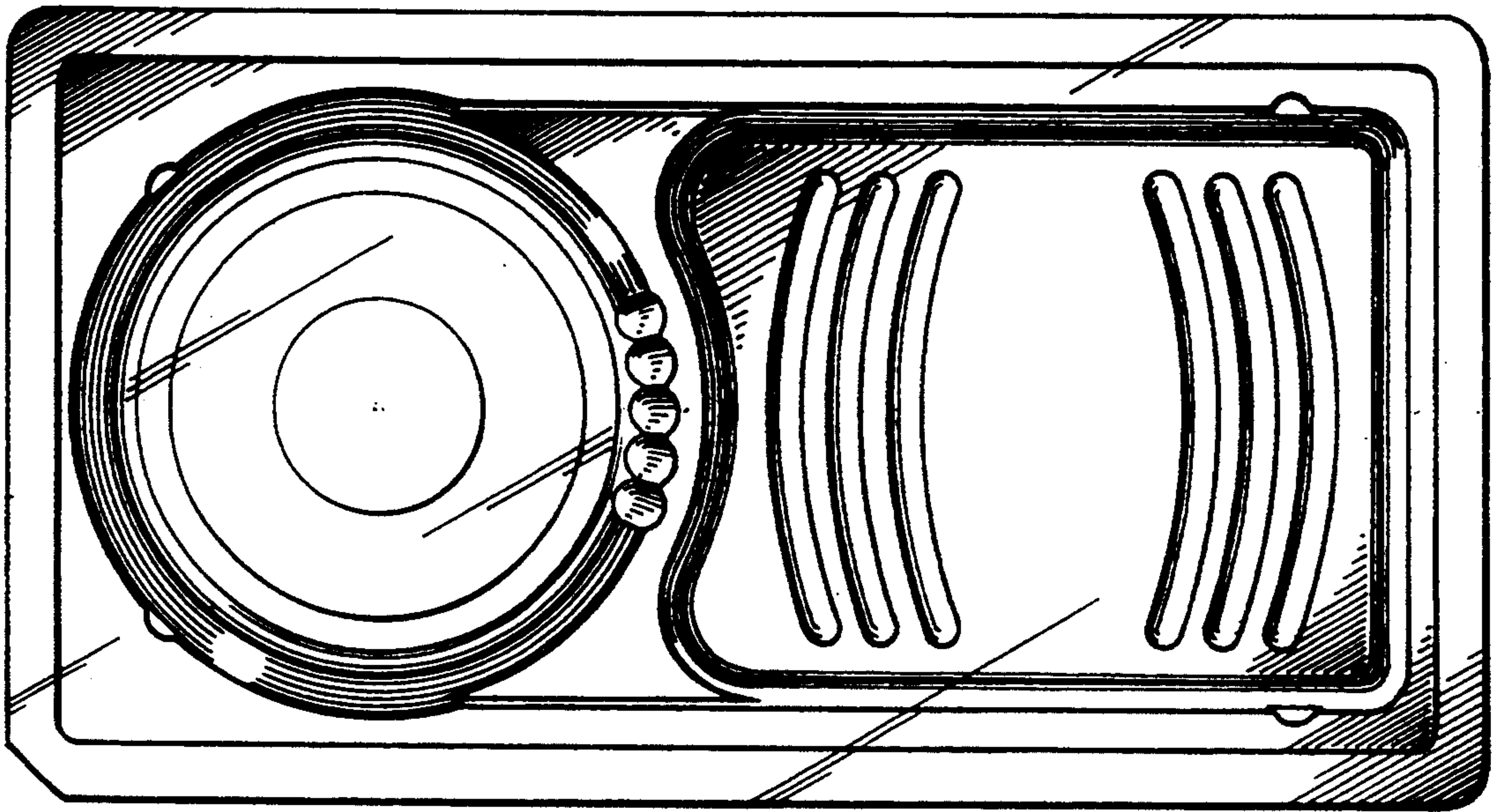


FIG 3

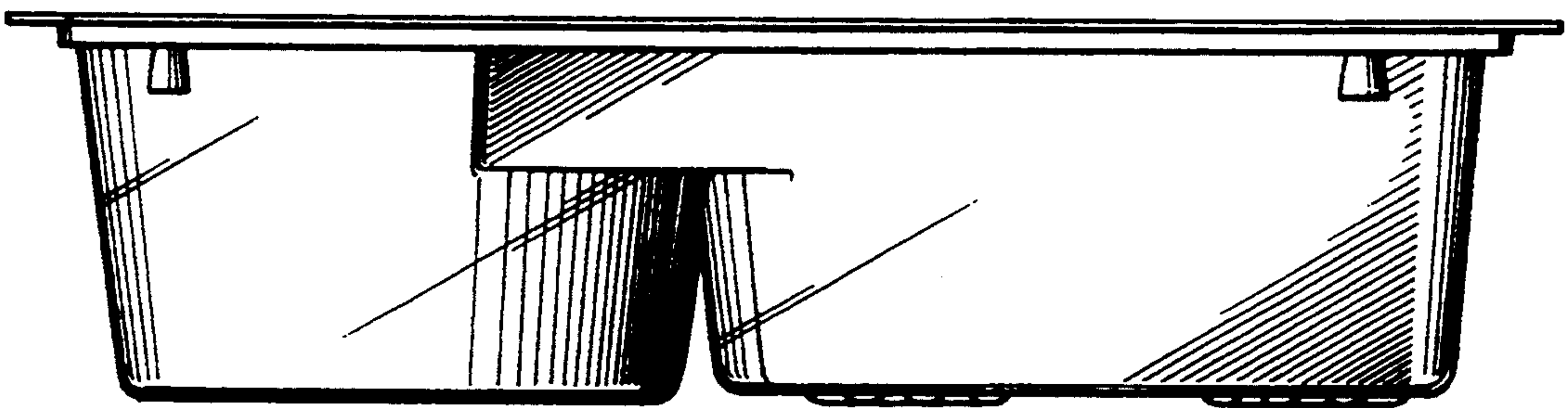


FIG 4

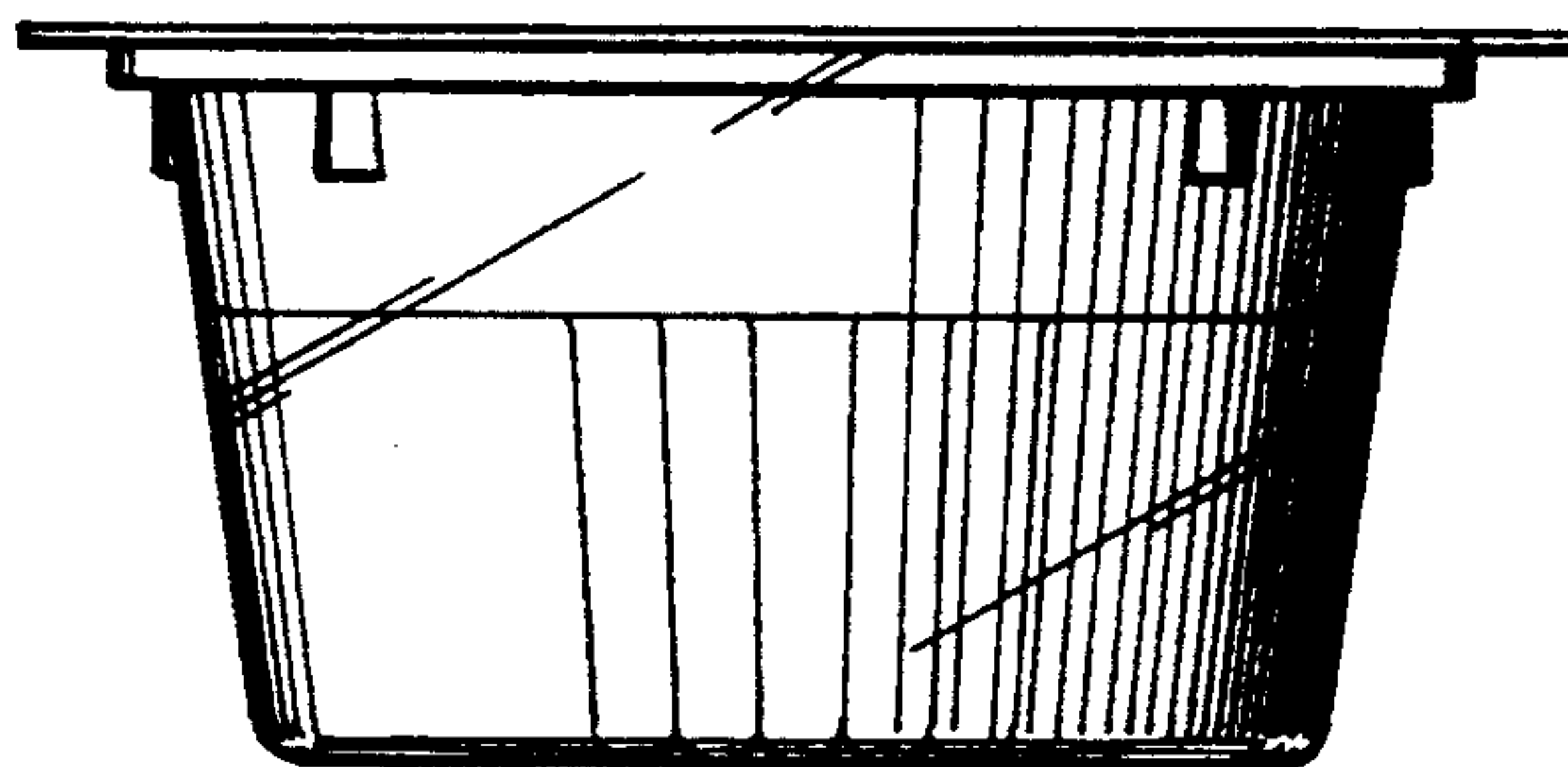


FIG 5

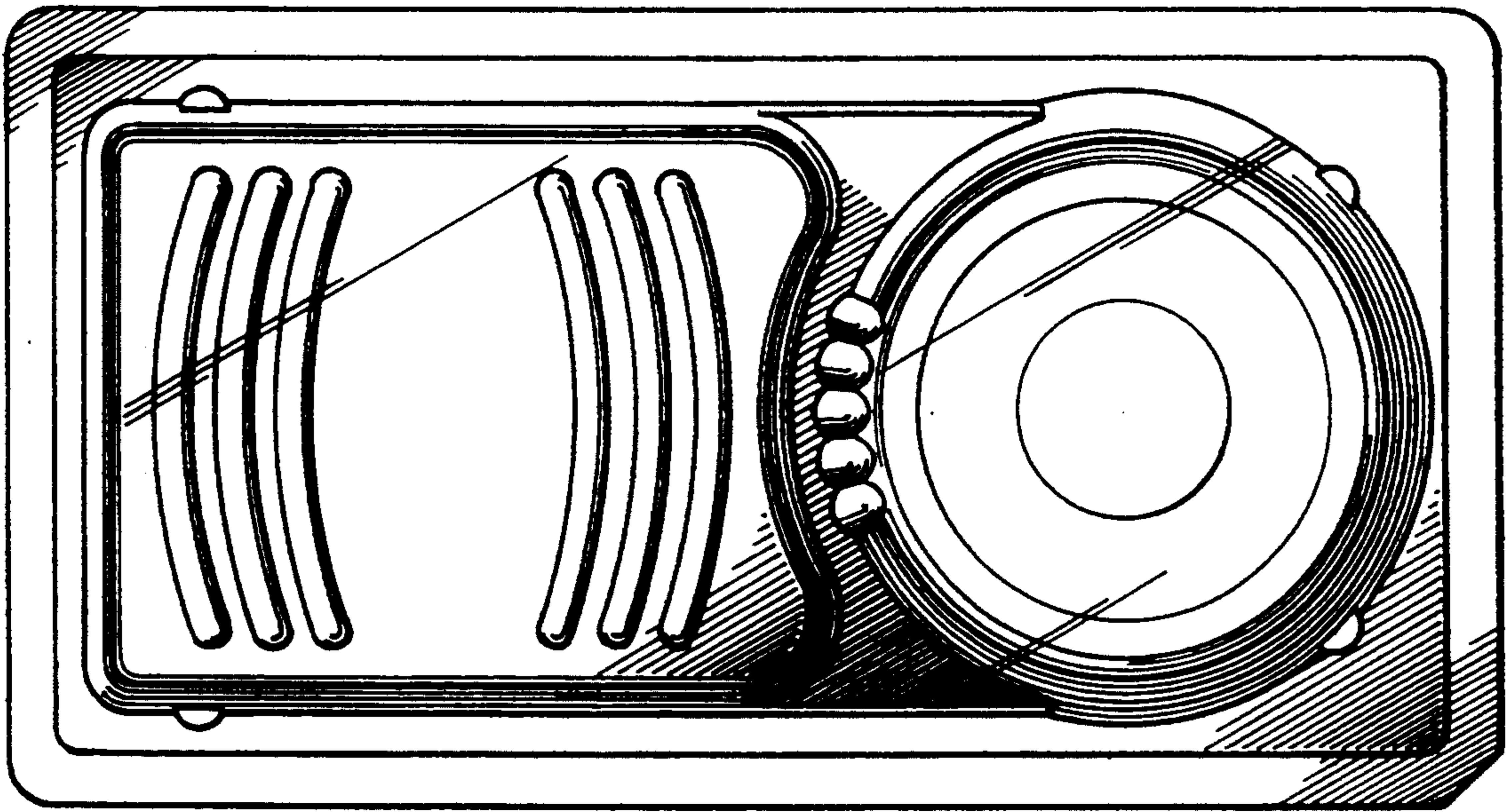


FIG 6

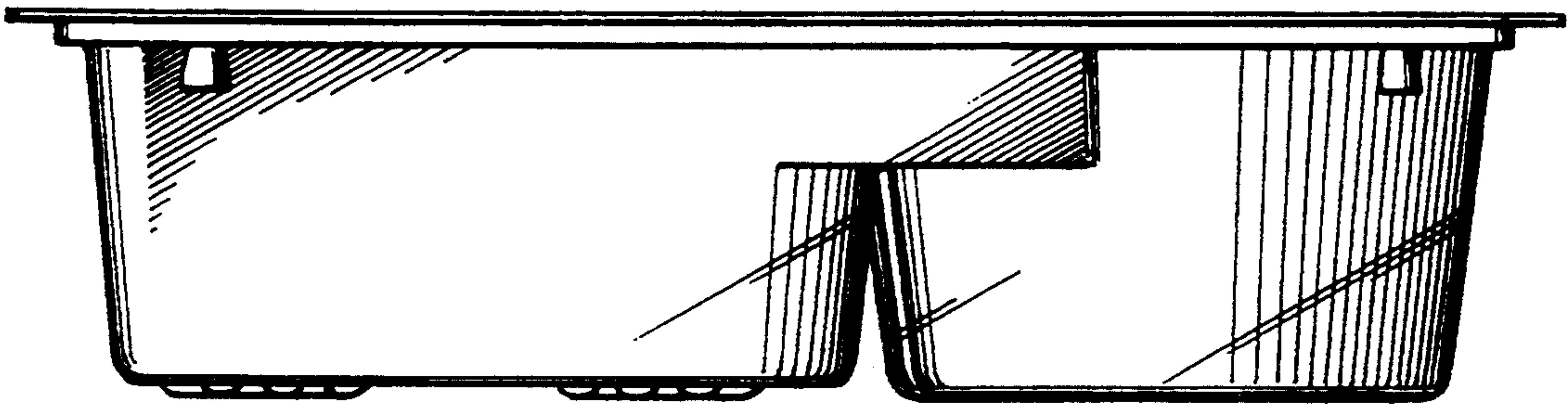


FIG 7

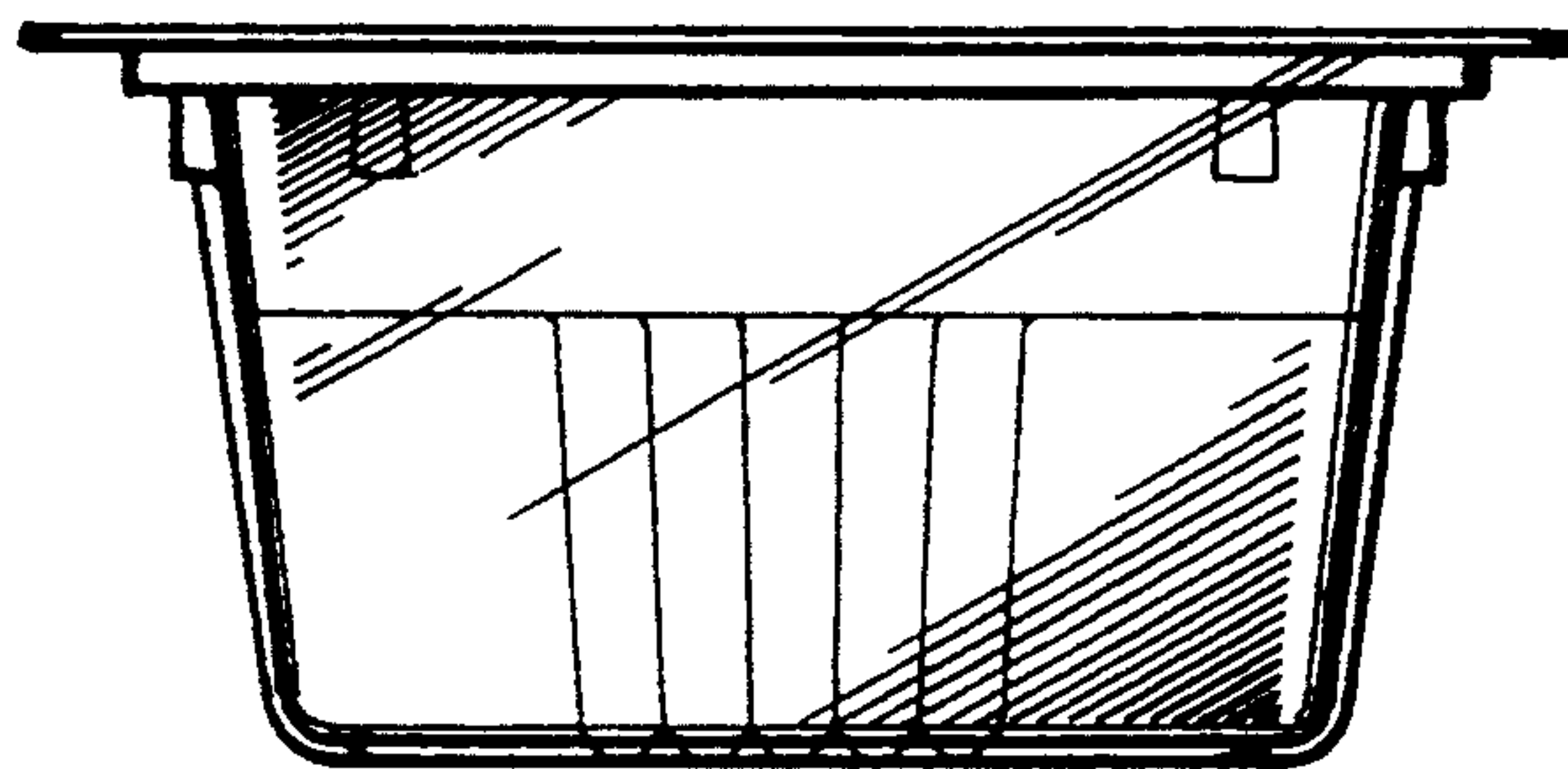


FIG 8