



US00D349448S

United States Patent [19] Lepp

[11] Patent Number: **Des. 349,448**
[45] Date of Patent: **** Aug. 9, 1994**

[54] **TABLE LEG CASTER**
[76] Inventor: **Victor J. Lepp, 57 Melody Trail, St. Catherines, Canada, L2M 1C6**
[**] Term: **14 Years**
[21] Appl. No.: **4,190**
[22] Filed: **Jan. 29, 1993**
[52] U.S. Cl. **D8/375**
[58] Field of Search **D8/375; 16/18 R, 18 CG, 16/45; 248/188.8-188.9**

3,869,105 3/1975 Daniels 248/188.8

FOREIGN PATENT DOCUMENTS

34036 8/1908 Australia .
302481 3/1952 Switzerland 248/188.9

Primary Examiner—Wallace R. Burke
Assistant Examiner—H. Baynham
Attorney, Agent, or Firm—Terry M. Gernstein

[57] CLAIM

The ornamental design for a table leg caster, as shown and described.

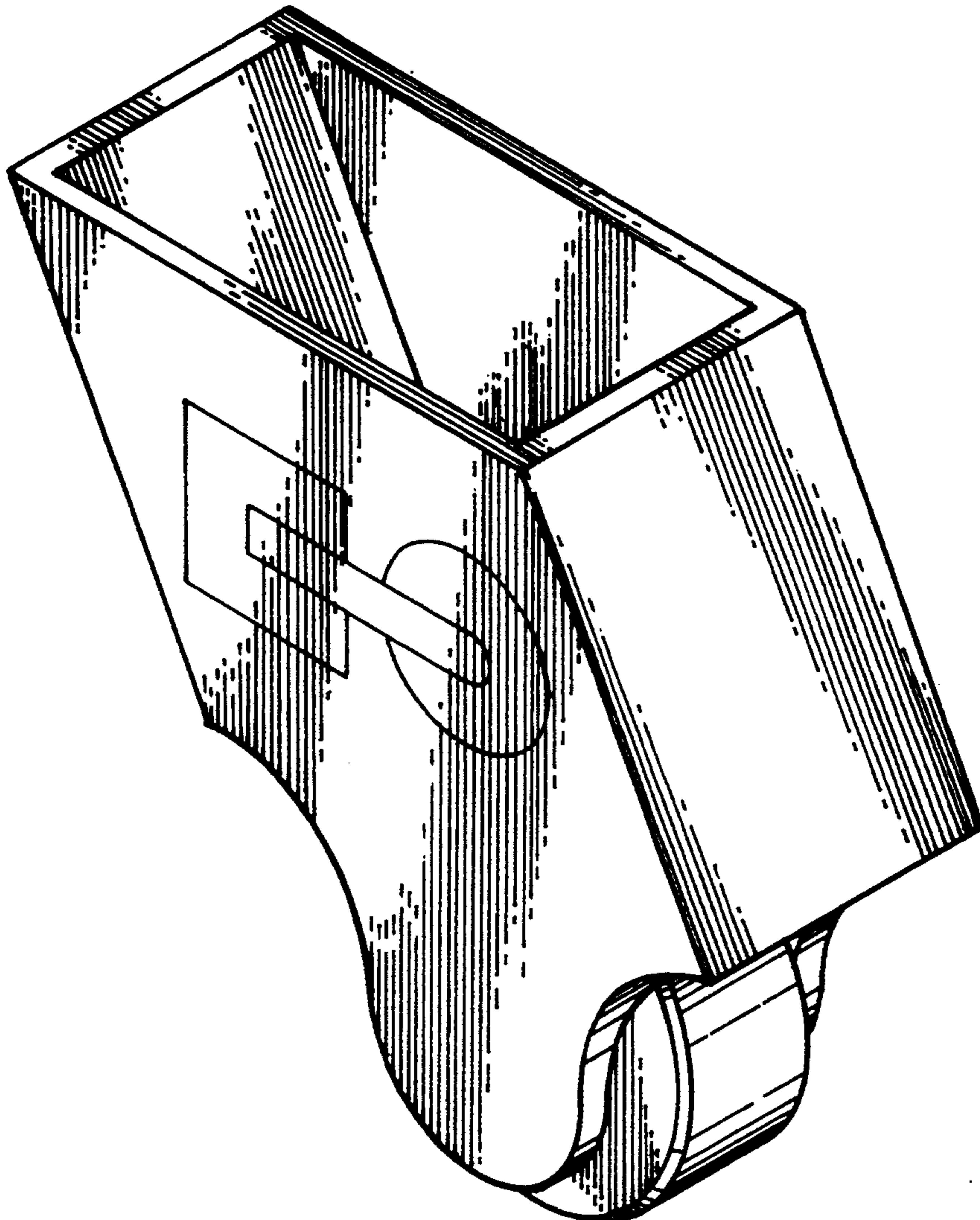
[56] References Cited

U.S. PATENT DOCUMENTS

D. 102,315 12/1936 Andersen D8/375
D. 121,935 12/1968 Appel D8/375
D. 181,662 12/1957 Modarelli D8/375
D. 190,957 7/1961 Imber D8/375
755,713 3/1904 Shanahan 248/188.9
936,459 11/1933 McGowen 248/188.9
2,217,996 10/1940 Sasgen 248/188.9
2,828,490 4/1958 Barr 5/310

DESCRIPTION

FIG. 1 is a front, top and side perspective view of a table leg caster showing my new design;
FIG. 2 is a front elevational view thereof, the rear being a mirror image of the front shown in FIG. 2;
FIG. 3 is a side elevational view thereof, the side opposite being a mirror image of the side shown in FIG. 3;
FIG. 4 is a top plan view thereof; and,
FIG. 5 is a bottom plan view thereof.



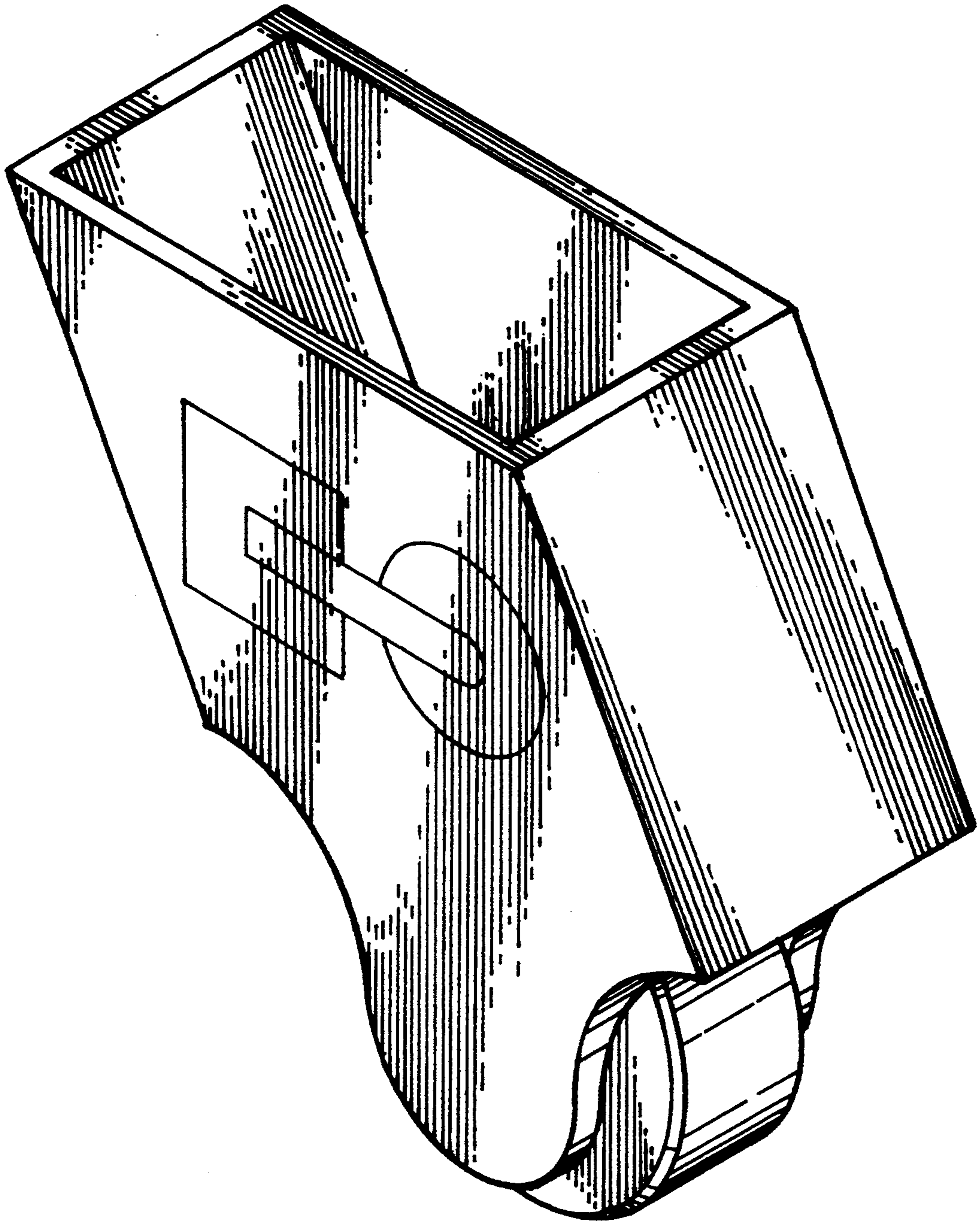


FIG. 1

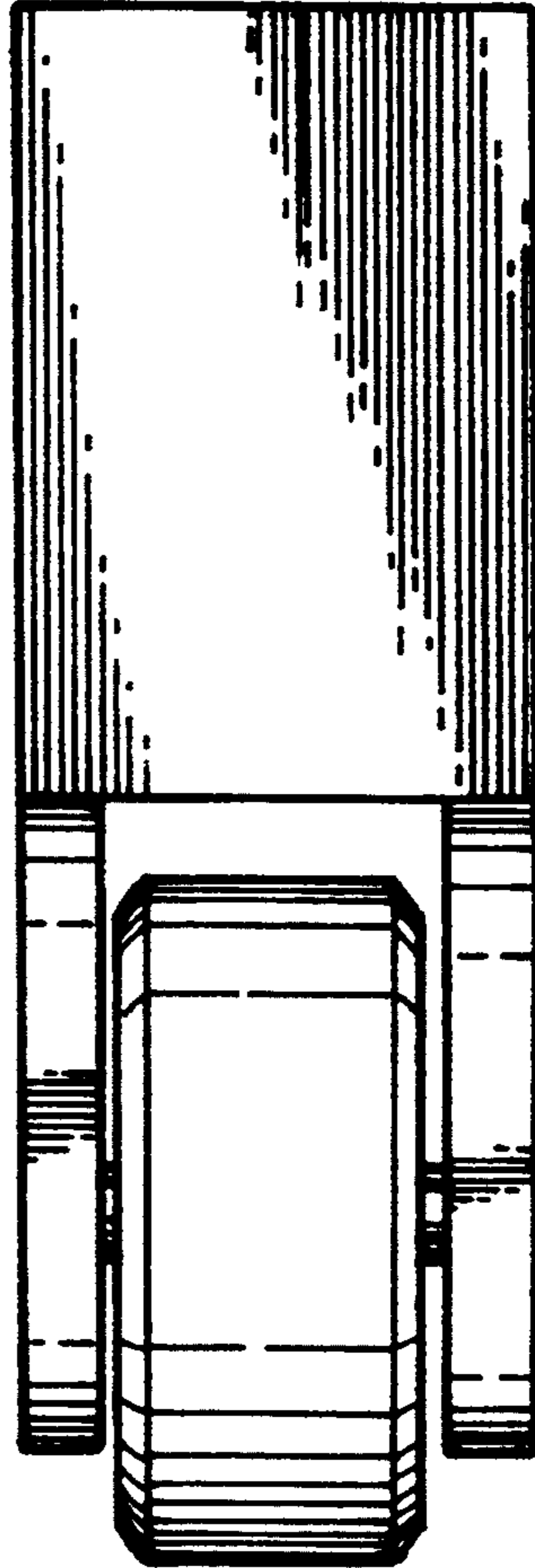


FIG. 2

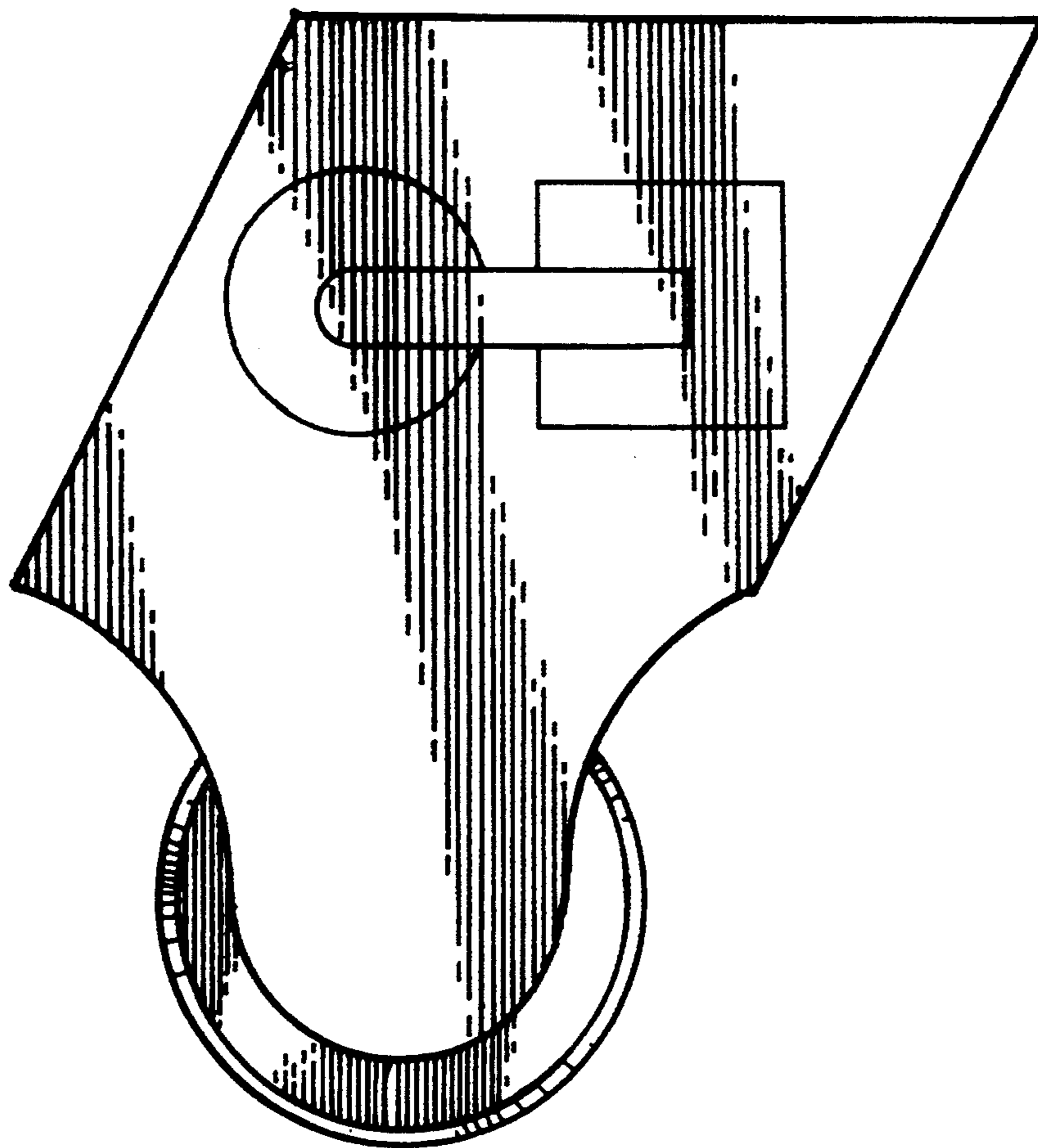


FIG. 3

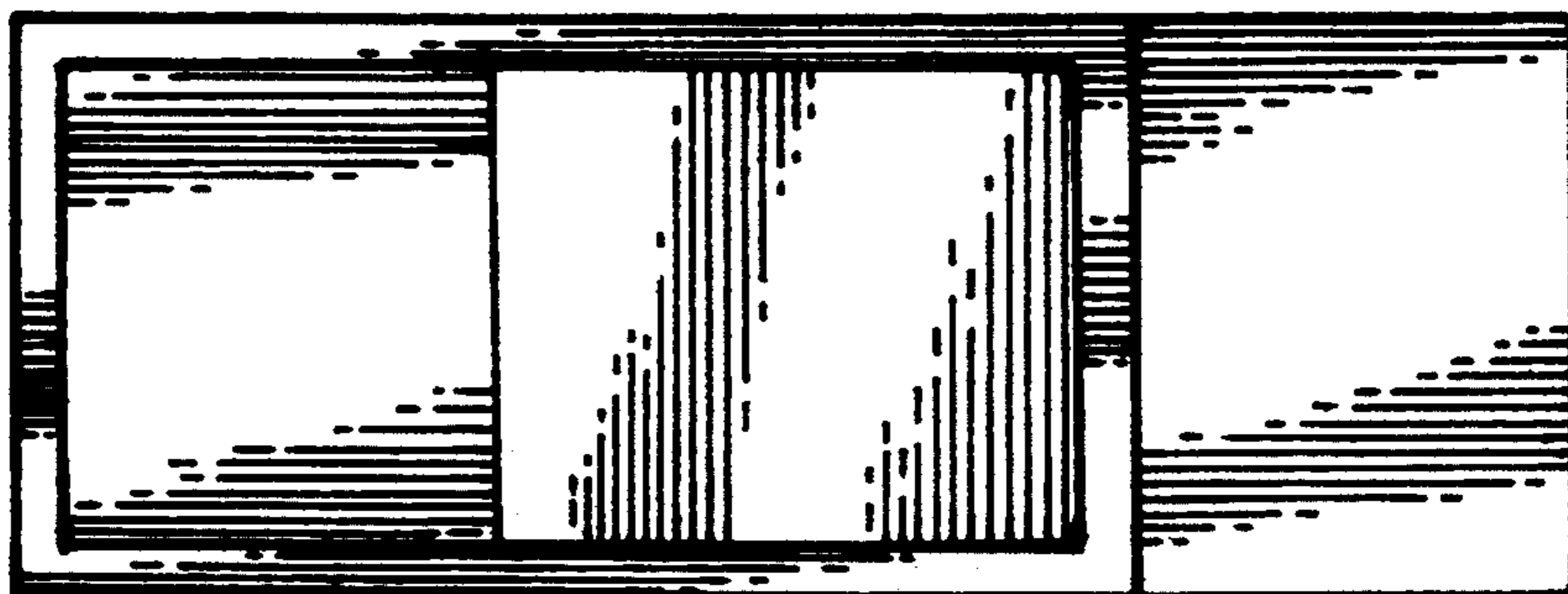


FIG. 4



FIG. 5