



US00D349439S

# United States Patent [19]

[11] Patent Number: Des. 349,439

Chou

[45] Date of Patent: \*\* Aug. 9, 1994

[54] STAPLE GUN

[76] Inventor: **Shu-Hui Chou**, 4 Fl., No. 276, Sec. 1, Ta Tung Rd., Hsi Chih Chen, Taipei Hsien, Taiwan

[\*\*] Term: **14 Years**

[21] Appl. No.: **1,785**

[22] Filed: **Nov. 24, 1992**

[52] U.S. Cl. .... **D8/49**

[58] Field of Search ..... **D8/49, 50; 227/127, 227/128, 132, 134**

[56] **References Cited**

**U.S. PATENT DOCUMENTS**

D. 280,069	8/1985	Hillinger	.....	D8/49
D. 287,094	12/1986	Jacoff	.....	D8/49
D. 289,366	4/1987	Speizer	.....	D8/49
D. 291,275	8/1987	Chang	.....	D8/49

**OTHER PUBLICATIONS**

Office Supplies Catalog, 1982 p. 387 (Arrow T-50).  
U.S. Government Office & Furnishing Supply Catalog, p. 81 (Staple Gun 10060).

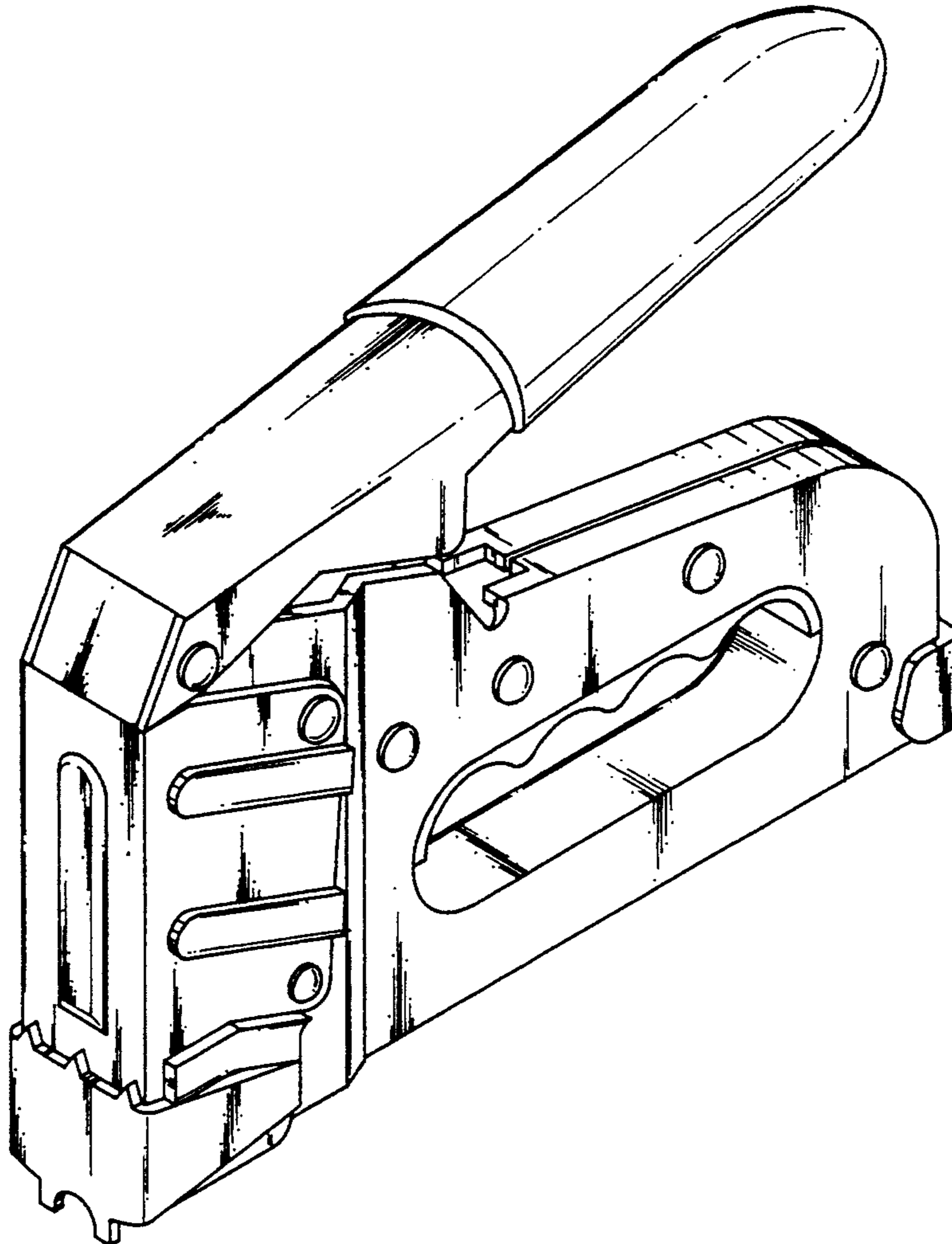
*Primary Examiner*—Bernard Ansher  
*Assistant Examiner*—Adir Aronovich  
*Attorney, Agent, or Firm*—Bacon & Thomas

[57] **CLAIM**

The ornamental design for staple gun, as shown and described.

**DESCRIPTION**

FIG. 1 is a perspective view of staple gun taken from above and one side showing my new design; FIG. 2 is a right side elevational view thereof; FIG. 3 is a left side elevational view thereof; FIG. 4 is a front elevational view thereof; FIG. 5 is a rear elevational view thereof; FIG. 6 is a top plan view thereof; and, FIG. 7 is a bottom plan view thereof.



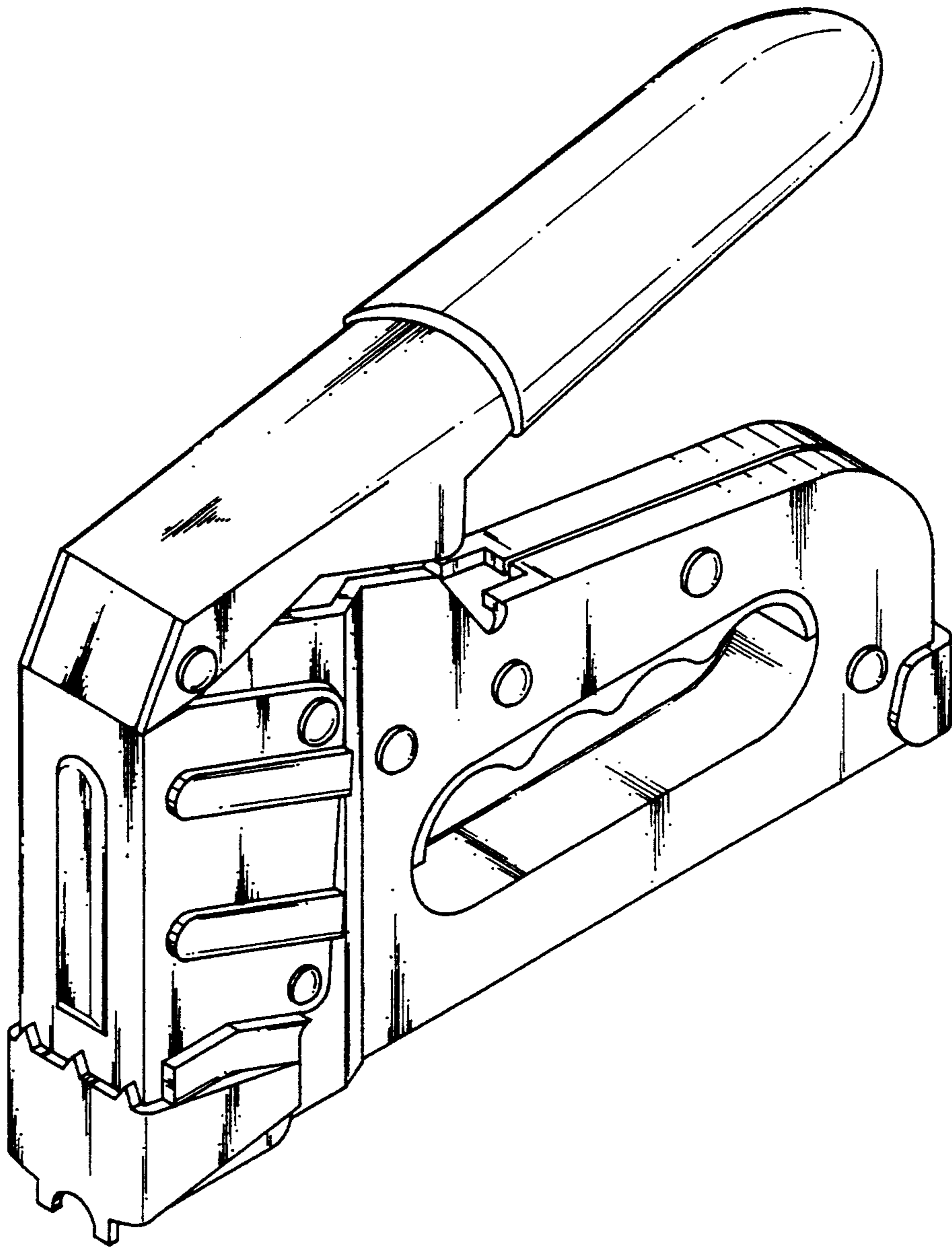


Fig. 1

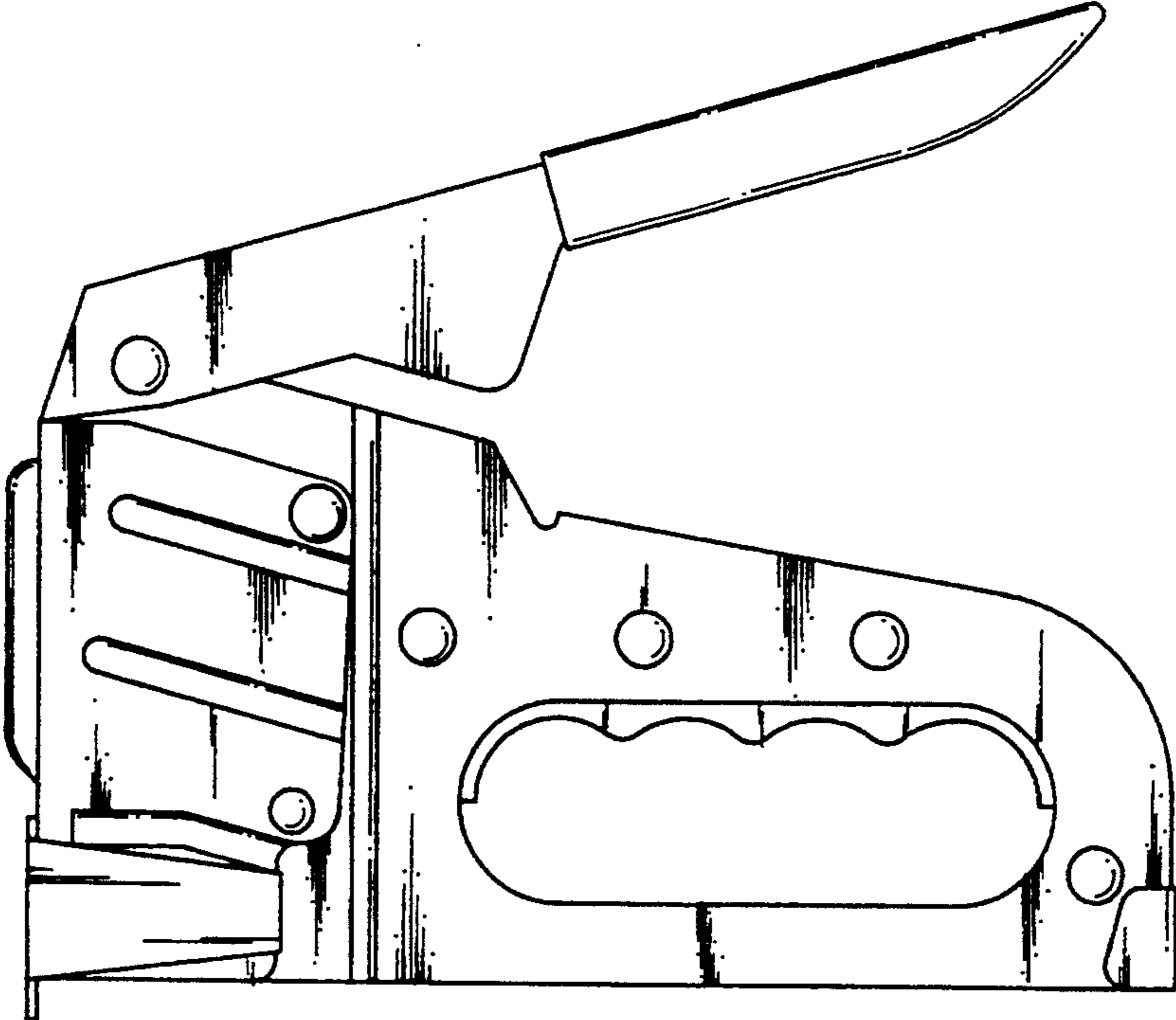


Fig. 2

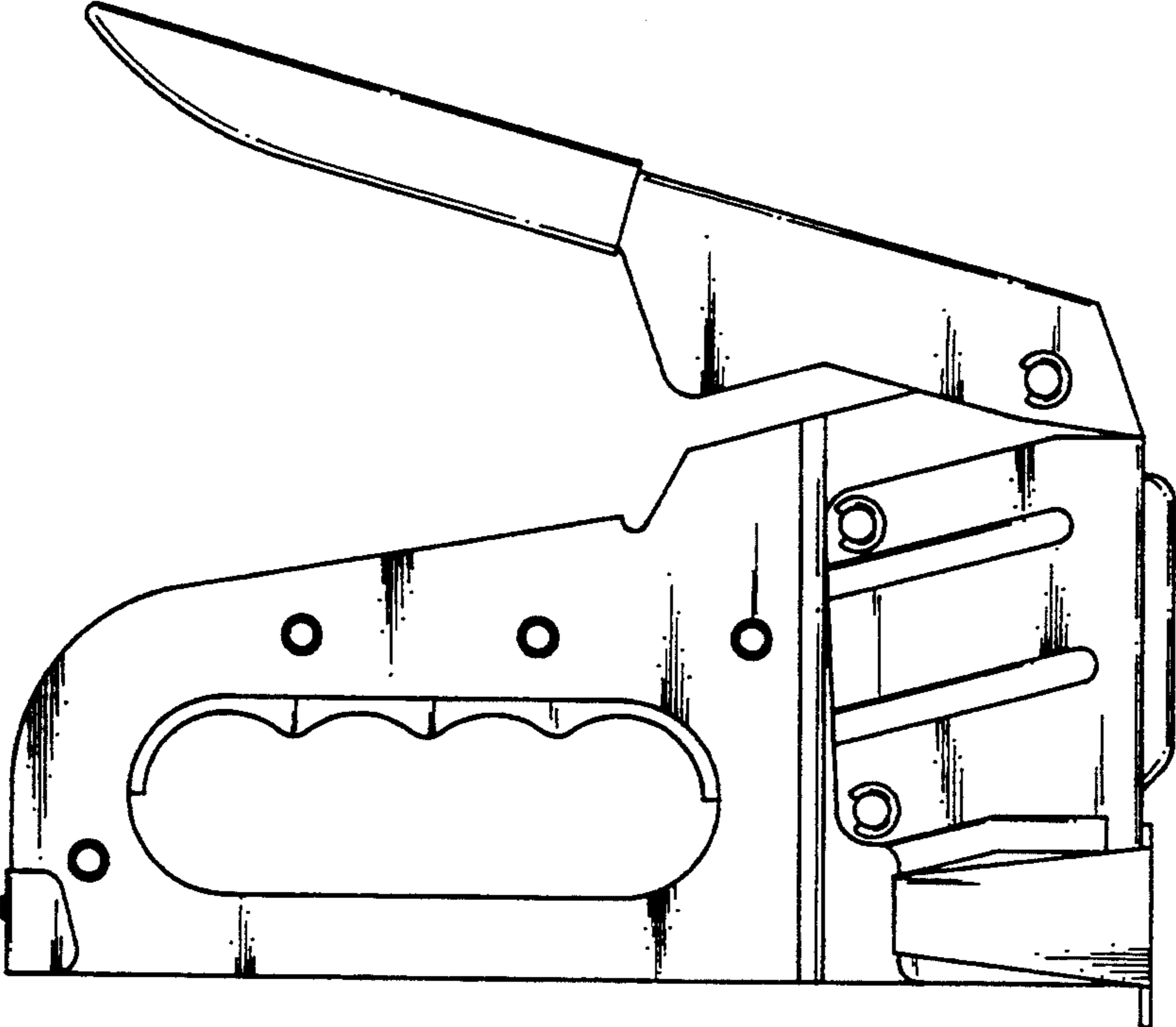


Fig. 3

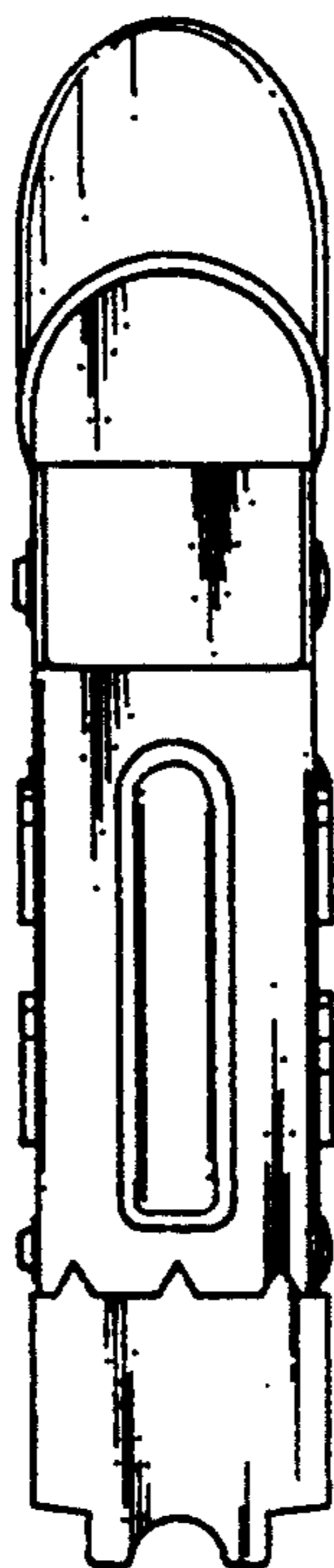


Fig.4

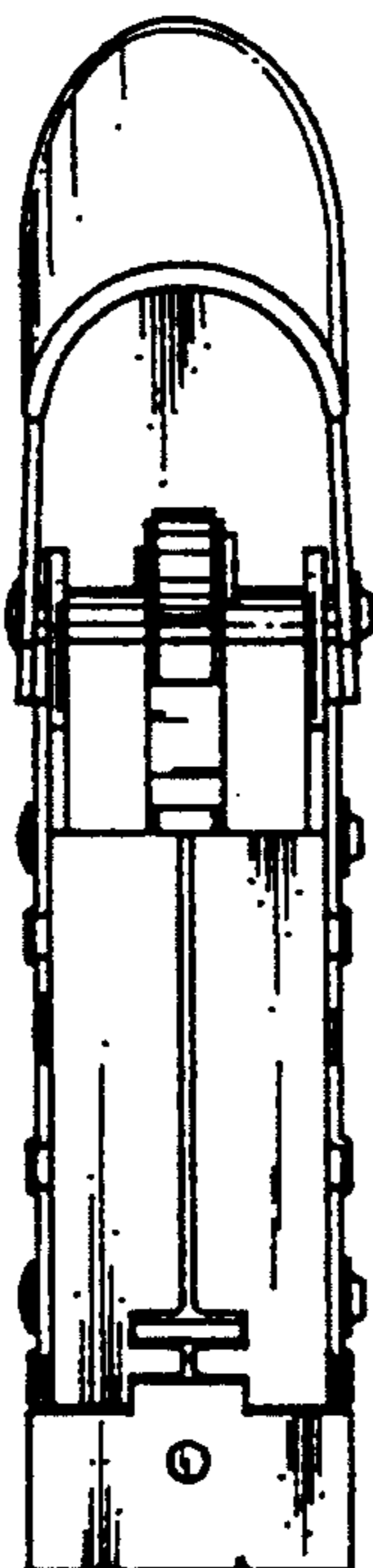


Fig.5



Fig. 6

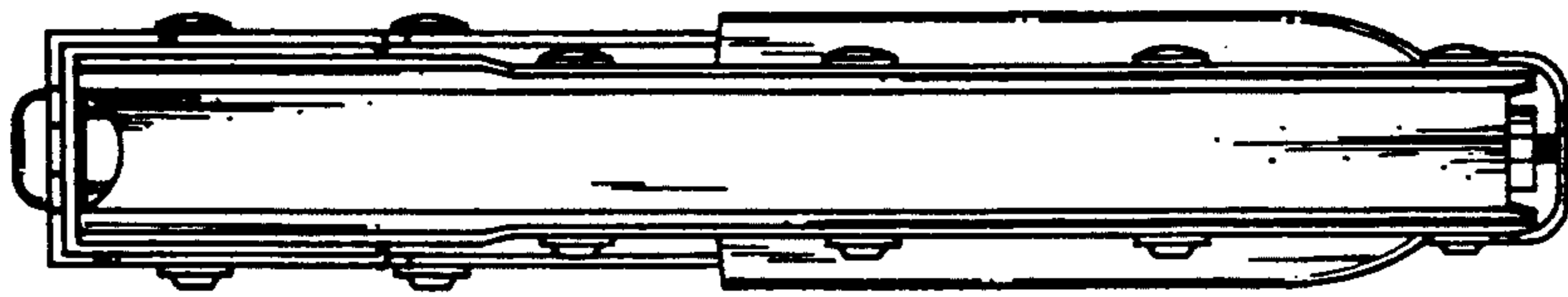


Fig. 7