



US00D349431S

United States Patent [19]
Richmond

[11] **Patent Number: Des. 349,431**

[45] **Date of Patent: ** Aug. 9, 1994**

[54] **SPOON**

[75] **Inventor: Colin B. Richmond**, Vernon Center, N.Y.

[73] **Assignee: Oneida, Ltd.**, Oneida, N.Y.

[**] **Term: 14 Years**

[21] **Appl. No.: 4,463**

[22] **Filed: Feb. 5, 1993**

[52] **U.S. Cl. D7/661; D7/660; D7/662**

[58] **Field of Search D7/642, 653, 654, 659, D7/660, 661, 401.2; 30/147-150, 324**

[56] **References Cited**

U.S. PATENT DOCUMENTS

D. 20,974	8/1891	Jackson	D7/661
D. 153,880	5/1949	Kaufman	D7/661
D. 156,941	1/1950	Dabrowski	D7/661
D. 165,295	11/1951	Lipman	D7/661
D. 215,027	8/1969	Manderfield	D7/661

OTHER PUBLICATIONS

Jewelers Circular-Keystone (JC-Sterling Flatware Pattern Index; ©1970 Second Printing 1978; p. 9; Gladstone Pattern top left.

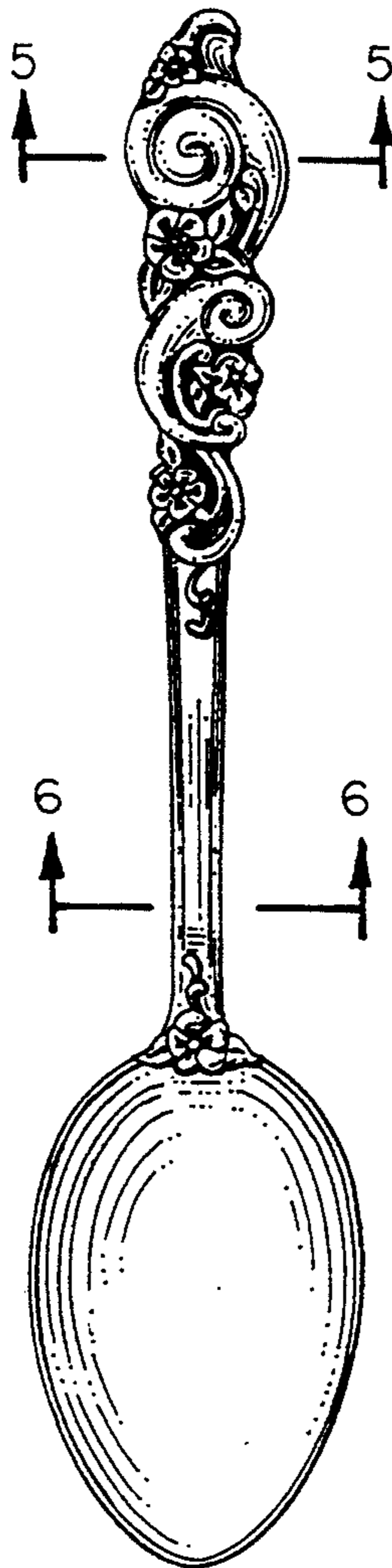
Primary Examiner—Alan P. Douglas
Assistant Examiner—Caron D. Veynar
Attorney, Agent, or Firm—Harris Beach & Wilcox

[57] **CLAIM**

The ornamental design for a spoon, as shown and described.

DESCRIPTION

FIG. 1 is a top plan view of a spoon showing my new design;
FIG. 2 is a right side elevational view thereof;
FIG. 3 is a bottom plan view thereof;
FIG. 4 is a left side elevational view thereof;
FIG. 5 is a cross section view taken along line 5—5 of FIG. 1; and,
FIG. 6 is a cross section view taken along line 6—6 of FIG. 1.



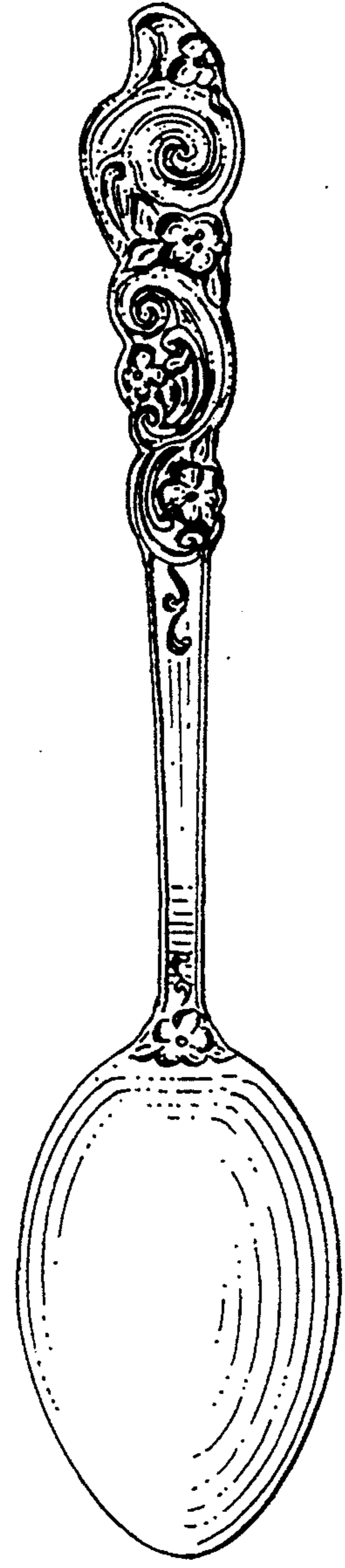
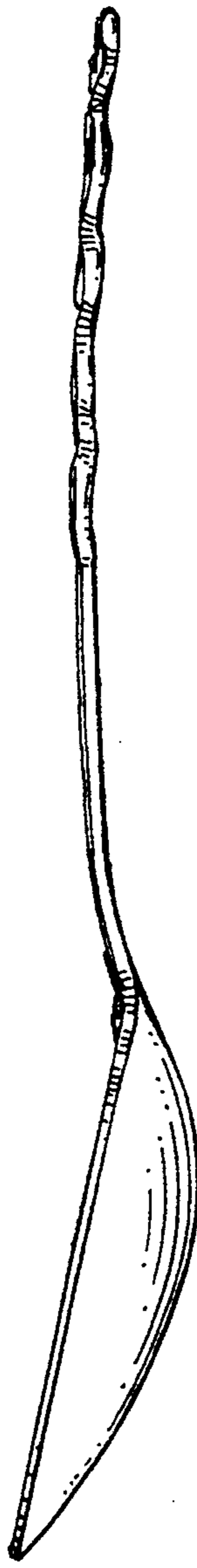
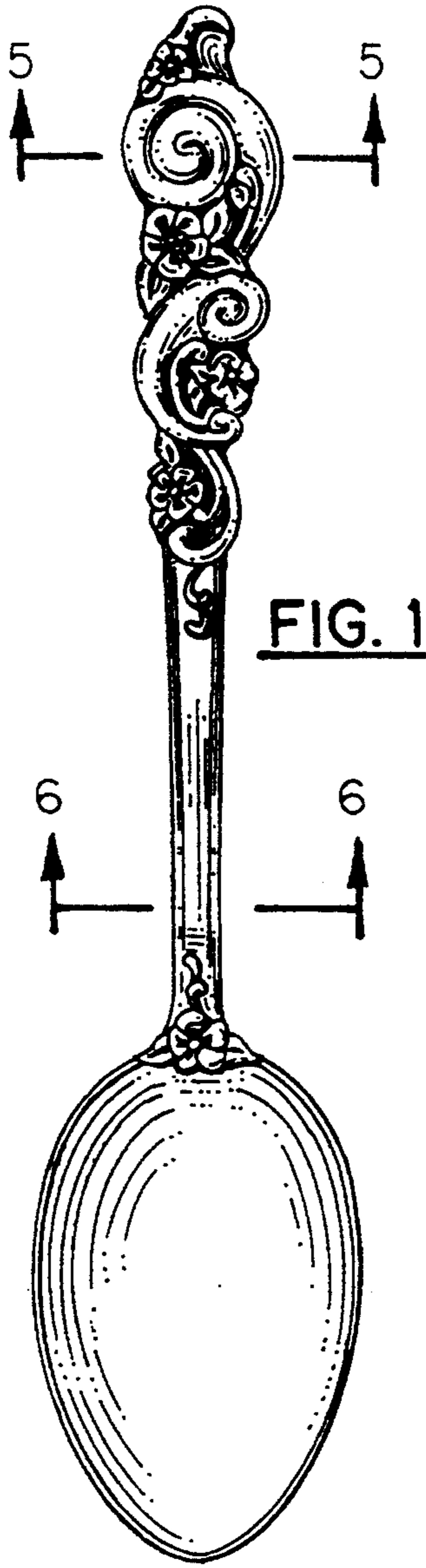


FIG. 2

FIG. 4

FIG. 3



FIG. 5



FIG. 6