



US00D349430S

United States Patent [19]
Richmond

[11] **Patent Number: Des. 349,430**
[45] **Date of Patent: ** Aug. 9, 1994**

[54] **SPOON**
[75] **Inventor: Colin B. Richmond, Vernon Center, N.Y.**
[73] **Assignee: Oneida, Ltd., Oneida, N.Y.**
[**] **Term: 14 Years**
[21] **Appl. No.: 4,450**
[22] **Filed: Feb. 5, 1993**
[52] **U.S. Cl. D7/661; D7/660; D7/662**
[58] **Field of Search D7/642, 653, 654, 659, D7/660, 661, 401.2; 30/147-150, 324**
[56] **References Cited**
U.S. PATENT DOCUMENTS
D. 154,416 7/1949 Morgan D7/661

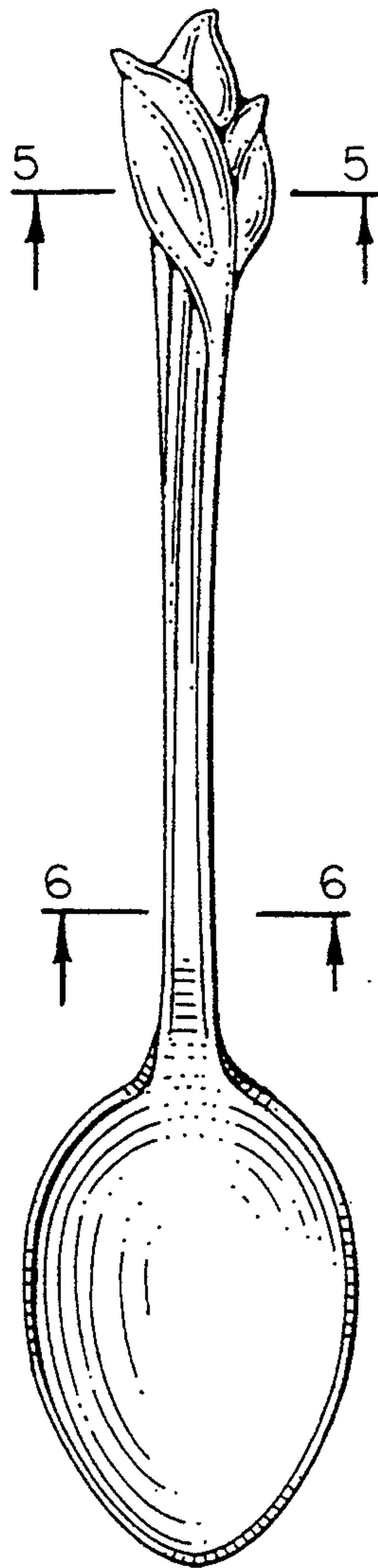
Primary Examiner—Alan P. Douglas
Assistant Examiner—Caron D. Veynar
Attorney, Agent, or Firm—Harris Beach & Wilcox

[57] **CLAIM**

The ornamental design for a spoon, as shown and described.

DESCRIPTION

FIG. 1 is a top plan view of a spoon showing my new design;
FIG. 2 is a right side elevational view thereof;
FIG. 3 is a bottom plan view thereof;
FIG. 4 is a left side elevational view of my new spoon design;
FIG. 5 is a cross sectional view thereof taken along section line 5—5 of FIG. 1; and,
FIG. 6 is a cross sectional view of the present spoon design taken along section line 6—6 of FIG. 1.



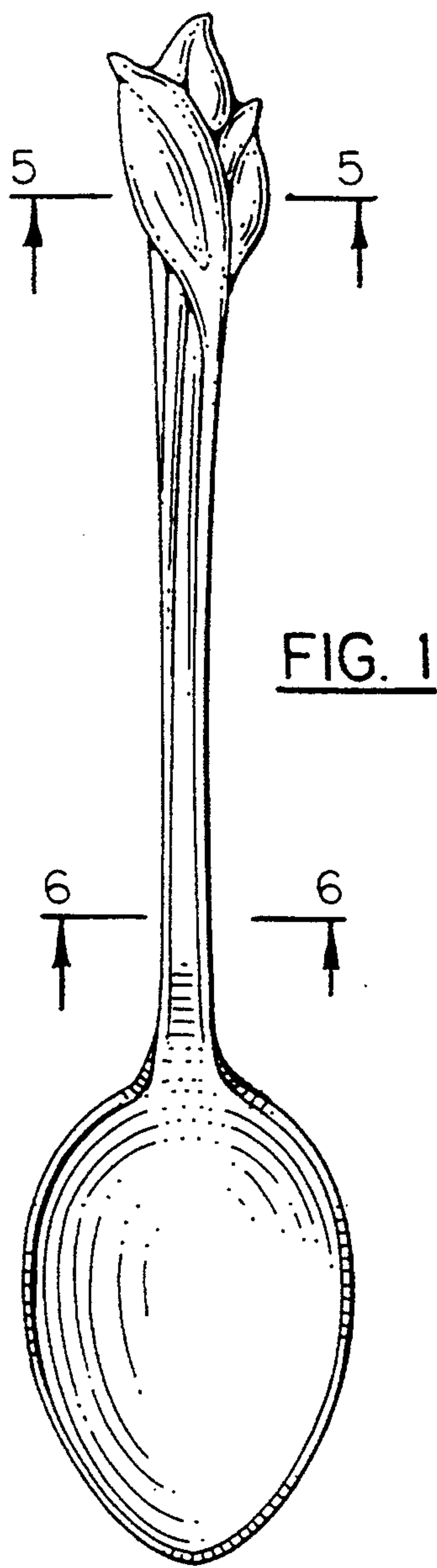


FIG. 1

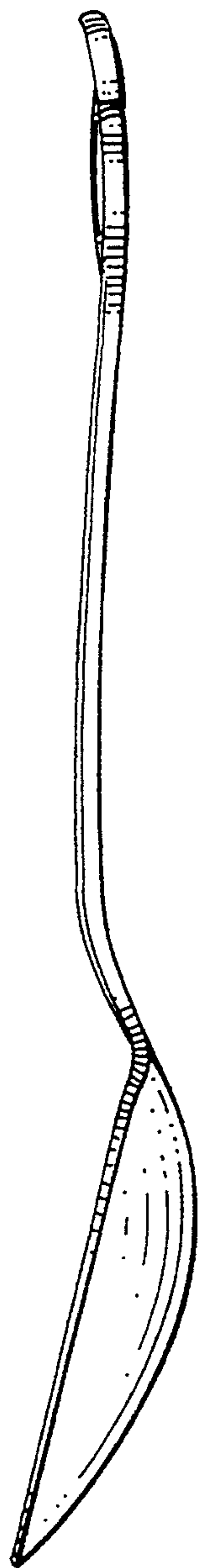


FIG. 2

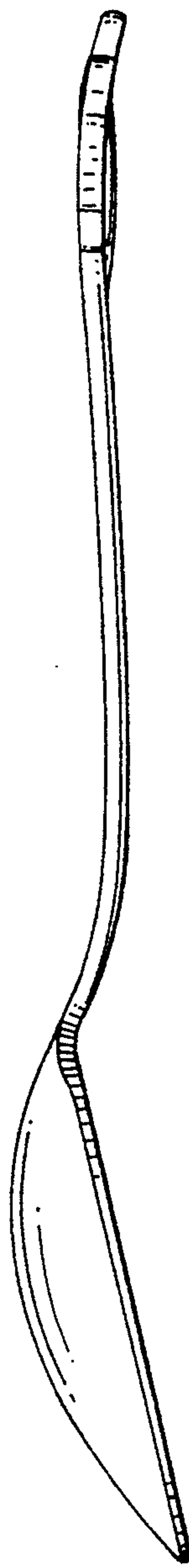


FIG. 4

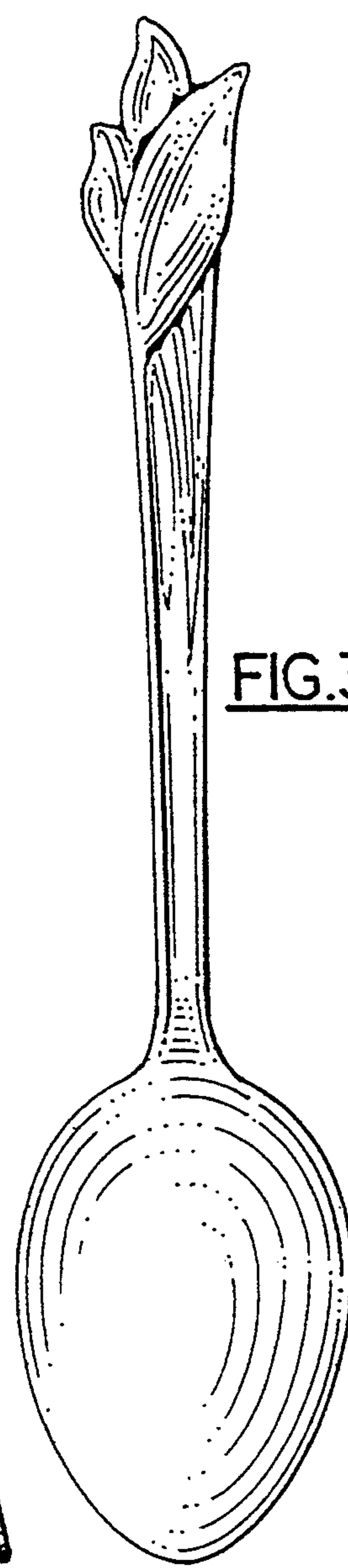


FIG. 3



FIG. 5



FIG. 6