



US00D349426S

United States Patent [19]

[11] Patent Number: **Des. 349,426**

Norris

[45] Date of Patent: **** Aug. 9, 1994**

[54] **SNACK TRAY**

5,005,702 4/1991 Davis .

[75] Inventor: **Daniel A. Norris**, Alabaster, Ala.

Primary Examiner—Alan P. Douglas

[73] Assignee: **Alabaster Industries, Inc.**, Alabaster, Ala.

Assistant Examiner—M. N. Pandozzi

Attorney, Agent, or Firm—Jones & Askew

[**] Term: **14 Years**

[57] **CLAIM**

[21] Appl. No.: **7,238**

The ornamental design for a snack tray, as shown and described.

[22] Filed: **Apr. 16, 1993**

DESCRIPTION

Related U.S. Application Data

[63] Continuation-in-part of Ser. No. 5,163, Feb. 25, 1993.

[52] U.S. Cl. **D7/553; D7/550; D7/555**

[58] **Field of Search** **D7/550, 551, 552, 553, D7/554, 555, 556, 557, 538, 601, 602, 507; 220/575, 679, 671, 632, 670, 17.1, 339, 574; 108/25; D6/406; D19/76, 92**

FIG. 1 is a perspective view showing a first embodiment of my snack tray;

FIG. 2 is a top view thereof;

FIG. 3 is a bottom view thereof;

FIG. 4 is a front view thereof, the rear view being a mirror image;

FIG. 5 is a right side view thereof, the left side view being a mirror image;

FIG. 6 is a perspective view showing a second embodiment of my new snack tray;

FIG. 7 is a top view thereof;

FIG. 8 is a bottom view thereof;

FIG. 9 is a front view thereof, the rear view being a mirror image;

FIG. 10 is a right side view thereof, the left side view being a mirror image;

FIG. 11 is a perspective view showing a third embodiment of my new snack tray;

FIG. 12 is a top view thereof;

FIG. 13 is a right side view thereof;

FIG. 14 is a front view thereof;

FIG. 15 is a bottom view thereof;

FIG. 16 is a rear-view thereof; and,

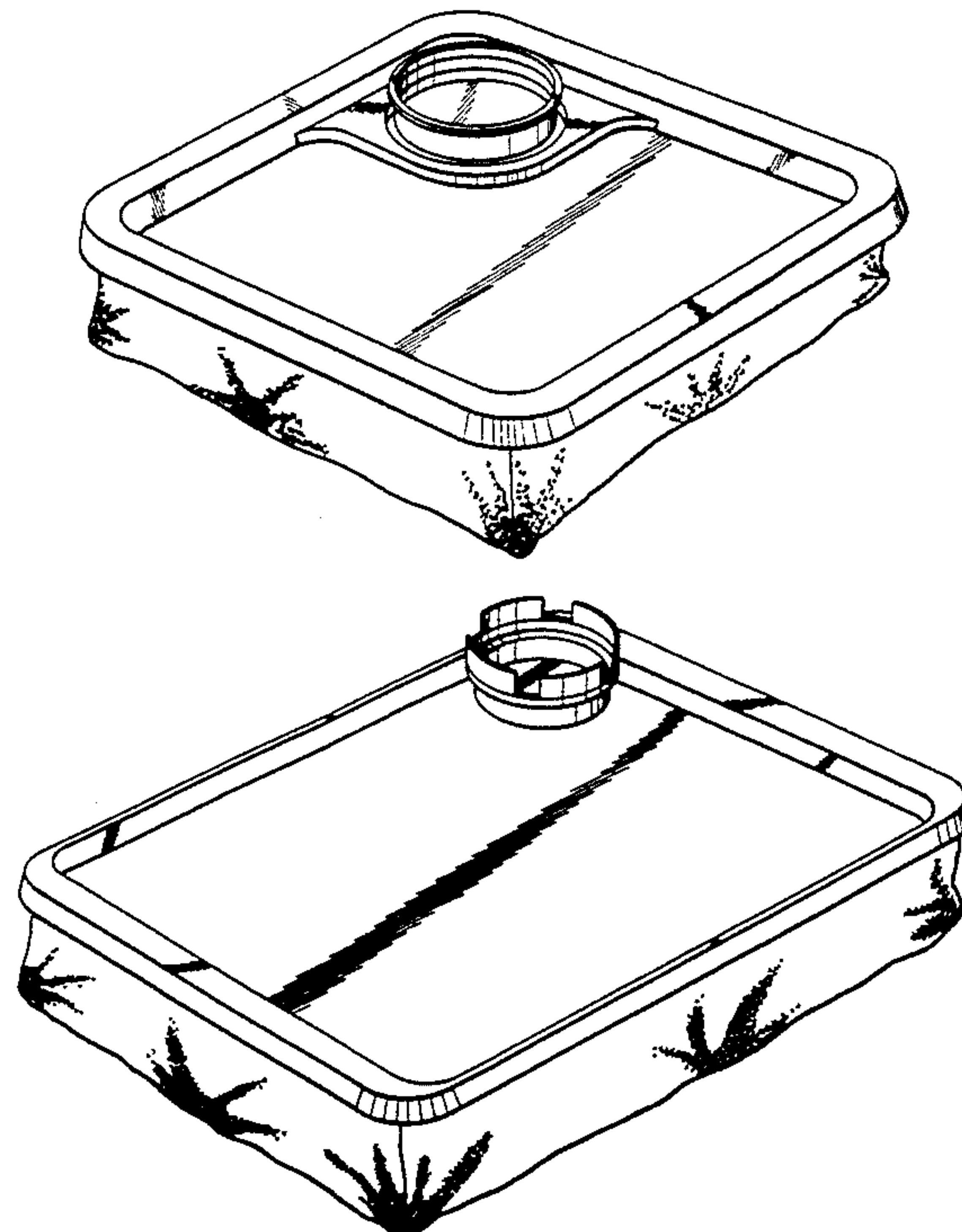
FIG. 17 is a left side view thereof.

This is a continuation-in-part of Ser. No. D5,163 filed Feb. 25, 1993.

[56] References Cited

U.S. PATENT DOCUMENTS

D. 192,872	5/1962	Fulton	D7/553
D. 197,618	3/1964	Milbourne	D7/553
D. 207,062	2/1967	Blair	D7/353
D. 301,820	6/1989	Wasserman	D7/553
D. 308,450	6/1990	Harris et al.	D7/553 X
D. 334,026	3/1993	Polansky	D19/92
D. 344,352	2/1994	Whall	D6/406 X
3,124,400	3/1964	Nelson	D7/553 X
3,407,757	10/1968	Warner	.	
3,498,470	3/1970	Thomas	D7/553 X
4,052,944	10/1977	Jennings	.	
4,169,532	10/1979	Scapellati	.	
4,700,634	10/1987	Mills	D6/406 X
4,788,916	12/1988	Saxton	.	
4,815,623	3/1989	Levin	220/17.1



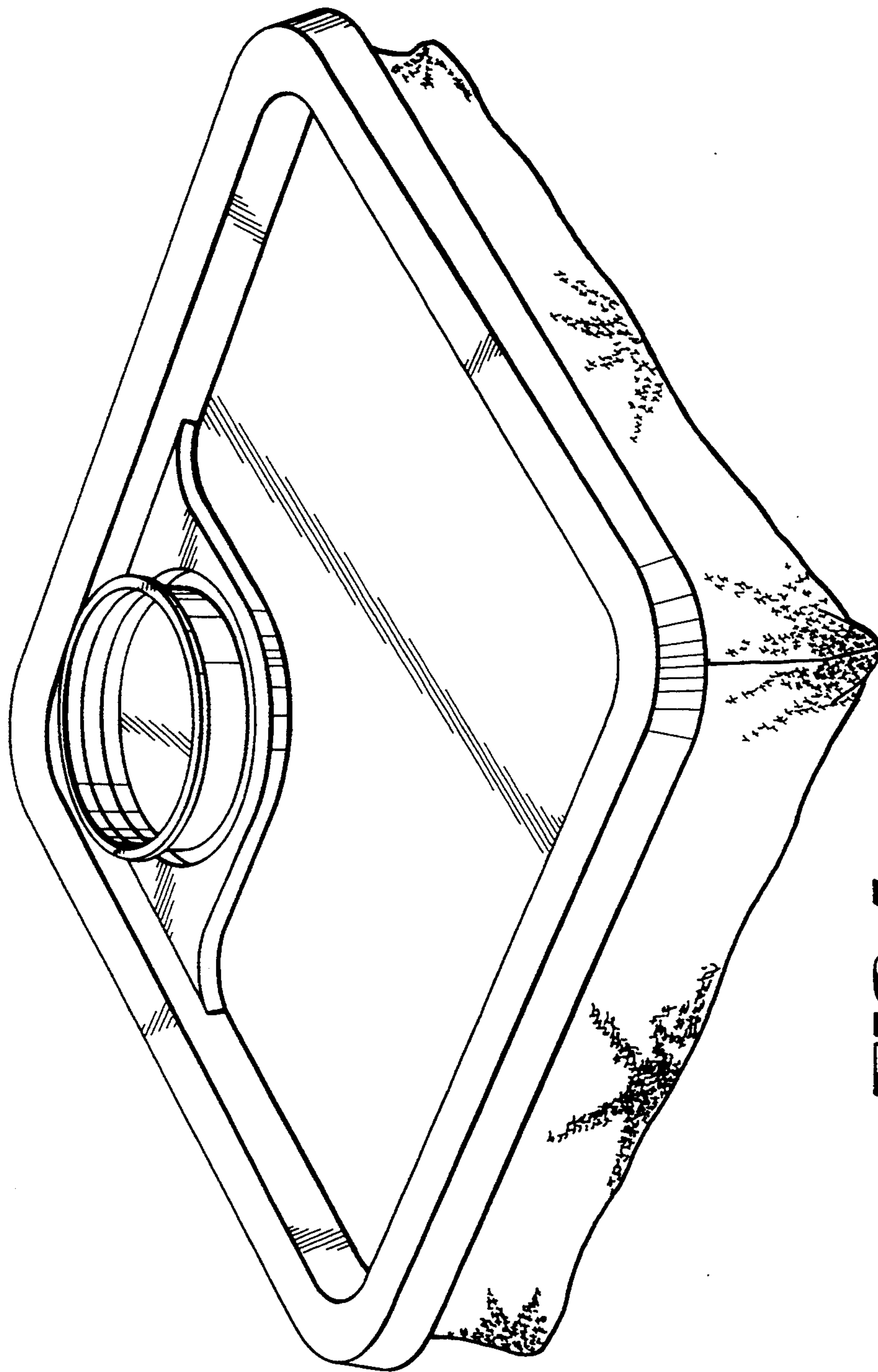


FIG 1

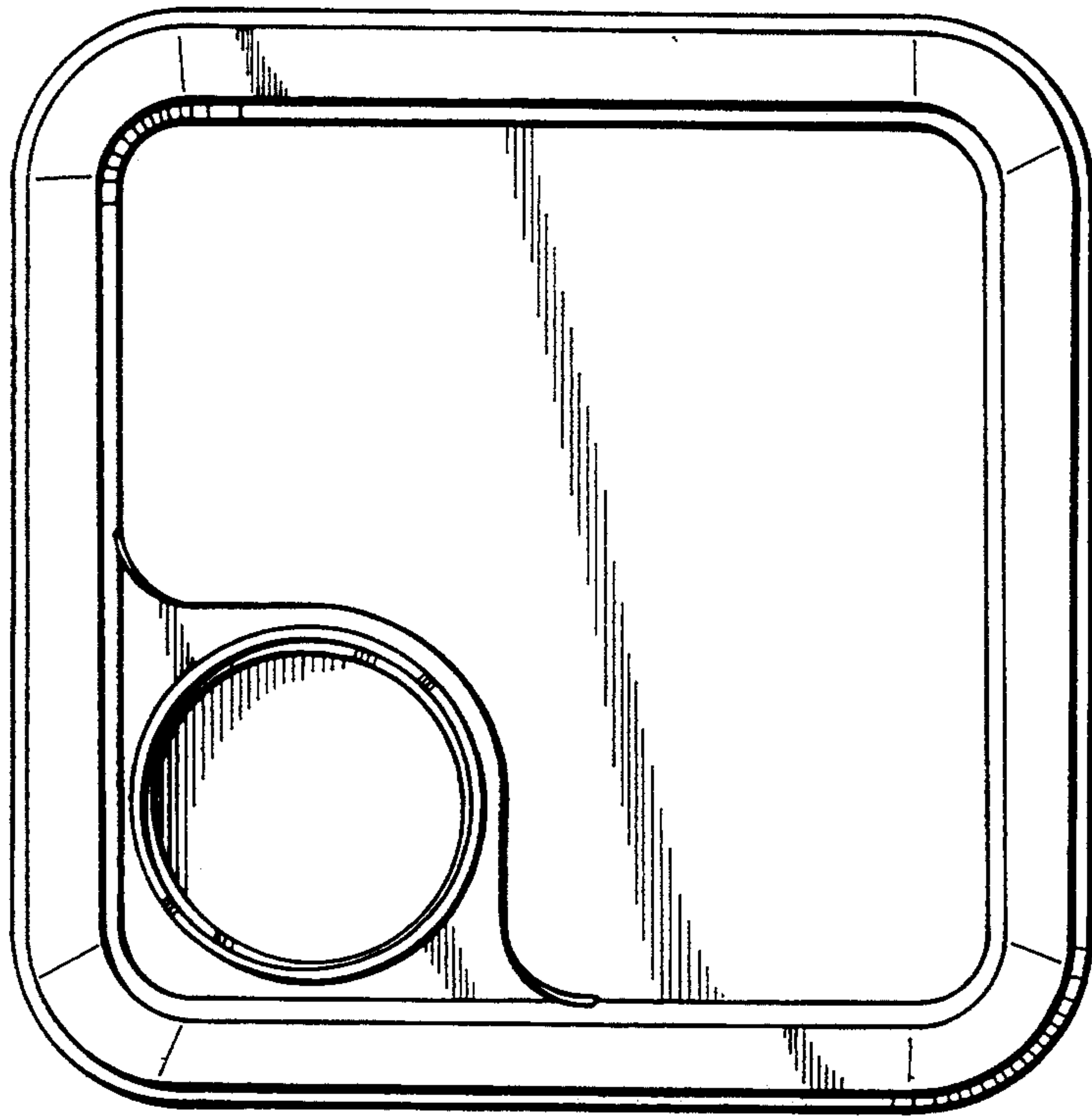


FIG 2

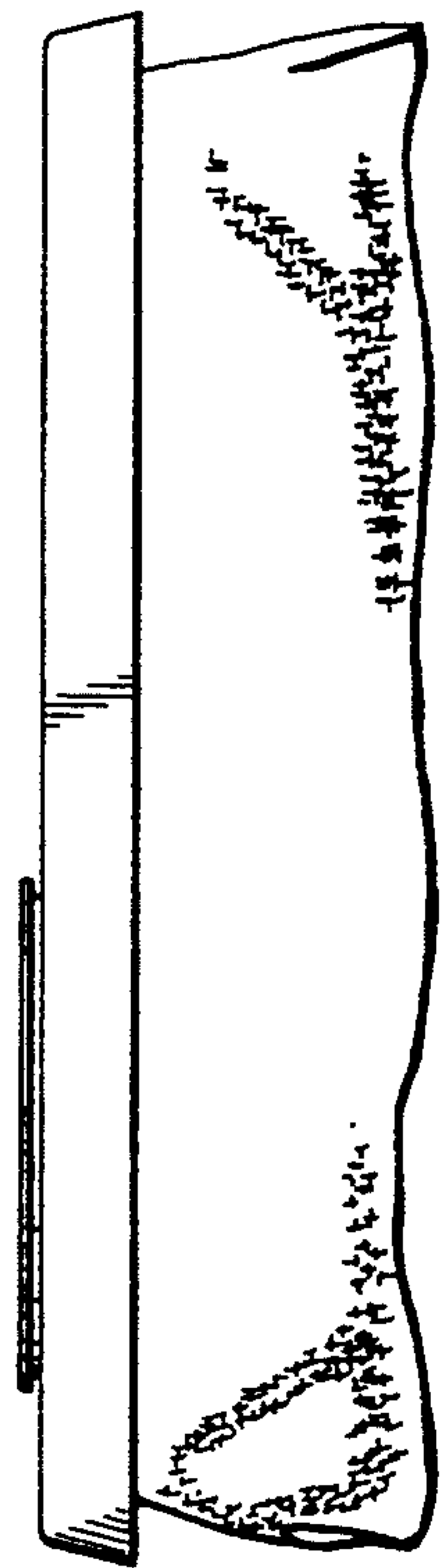


FIG 4

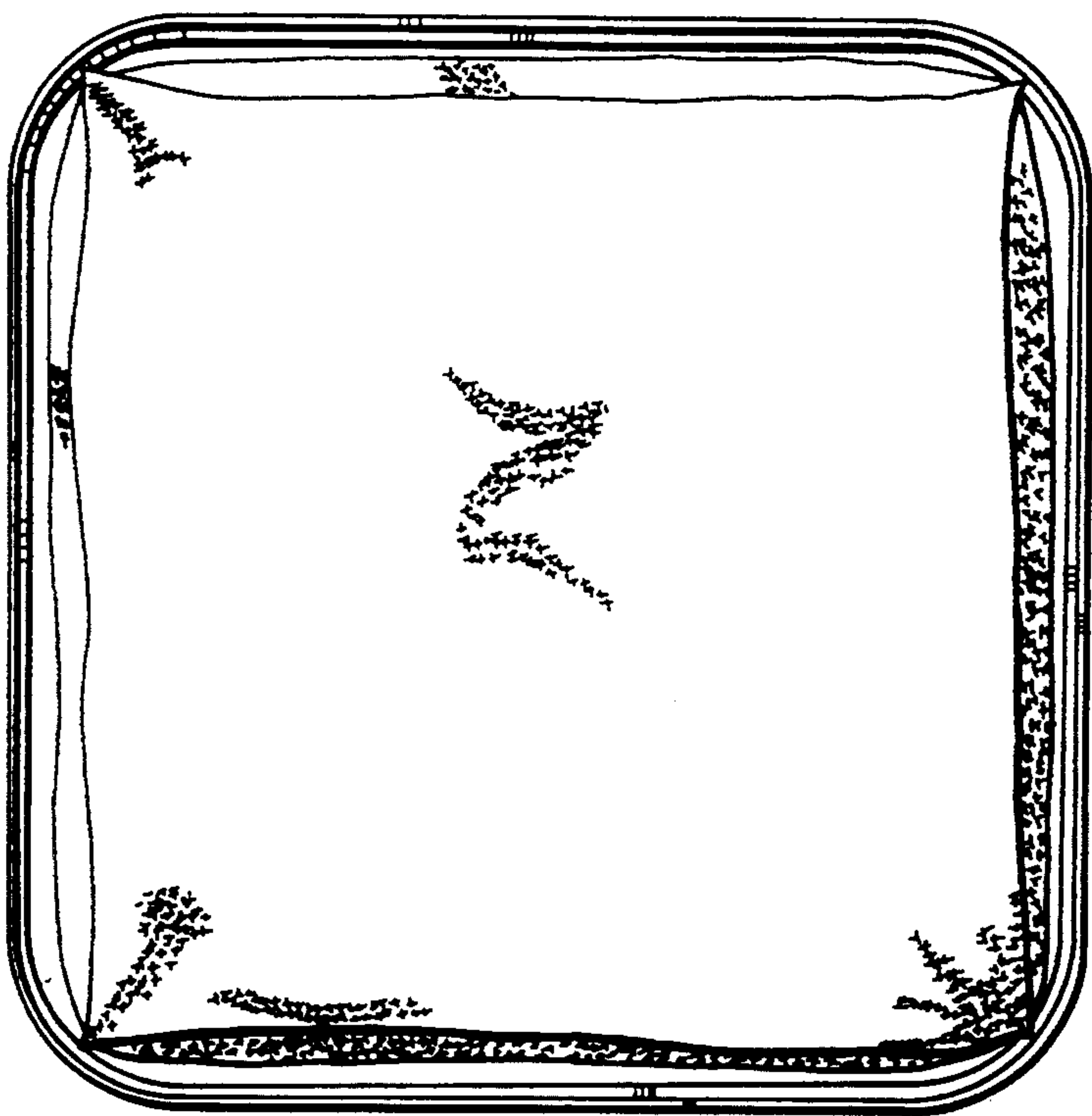


FIG 3

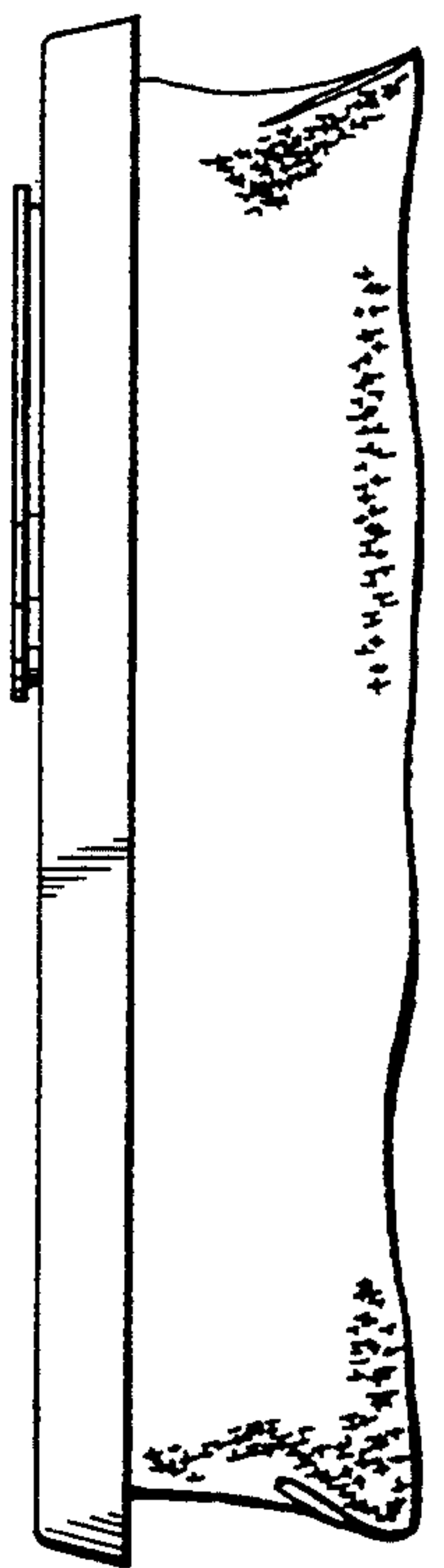


FIG 5

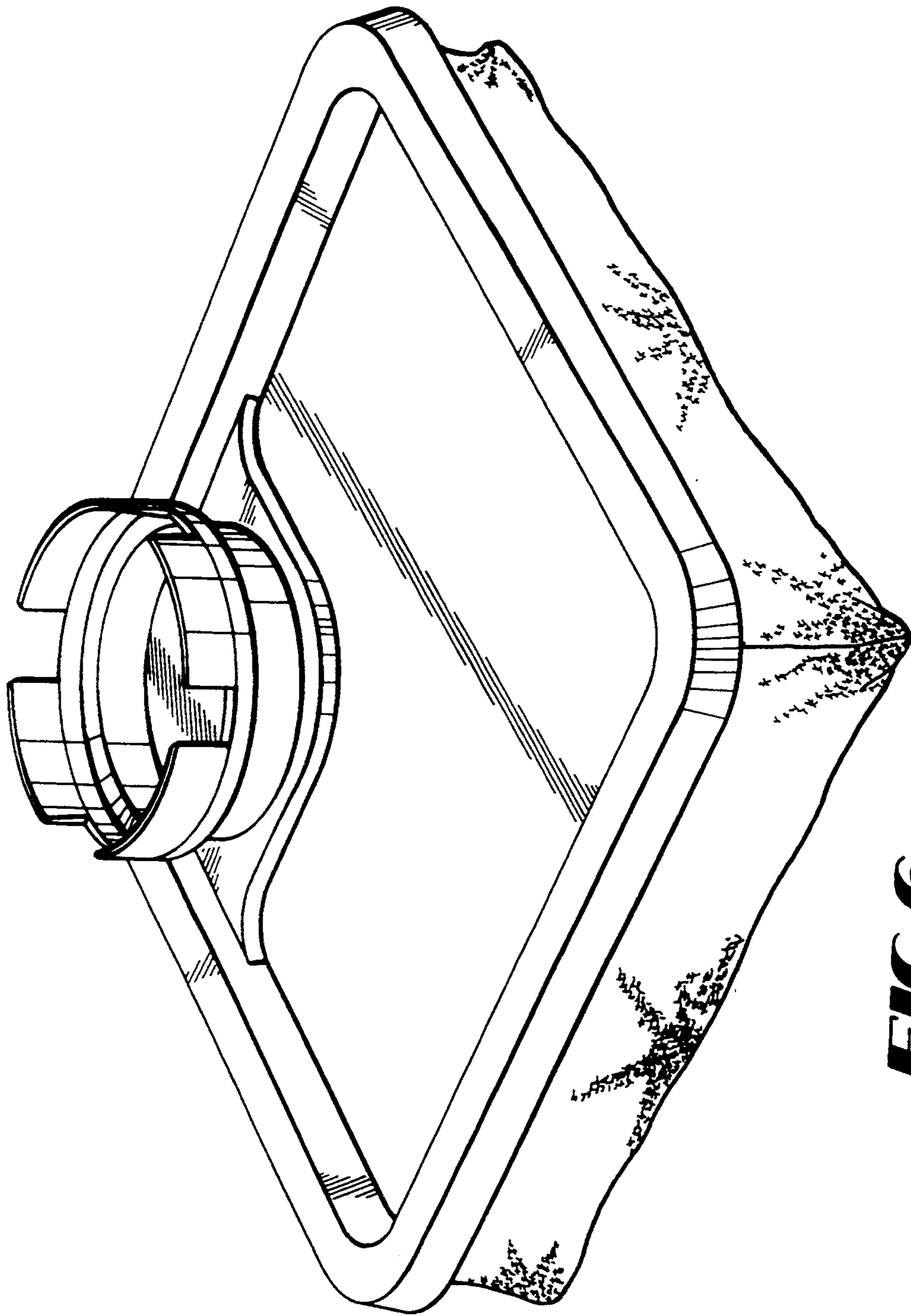


FIG 6

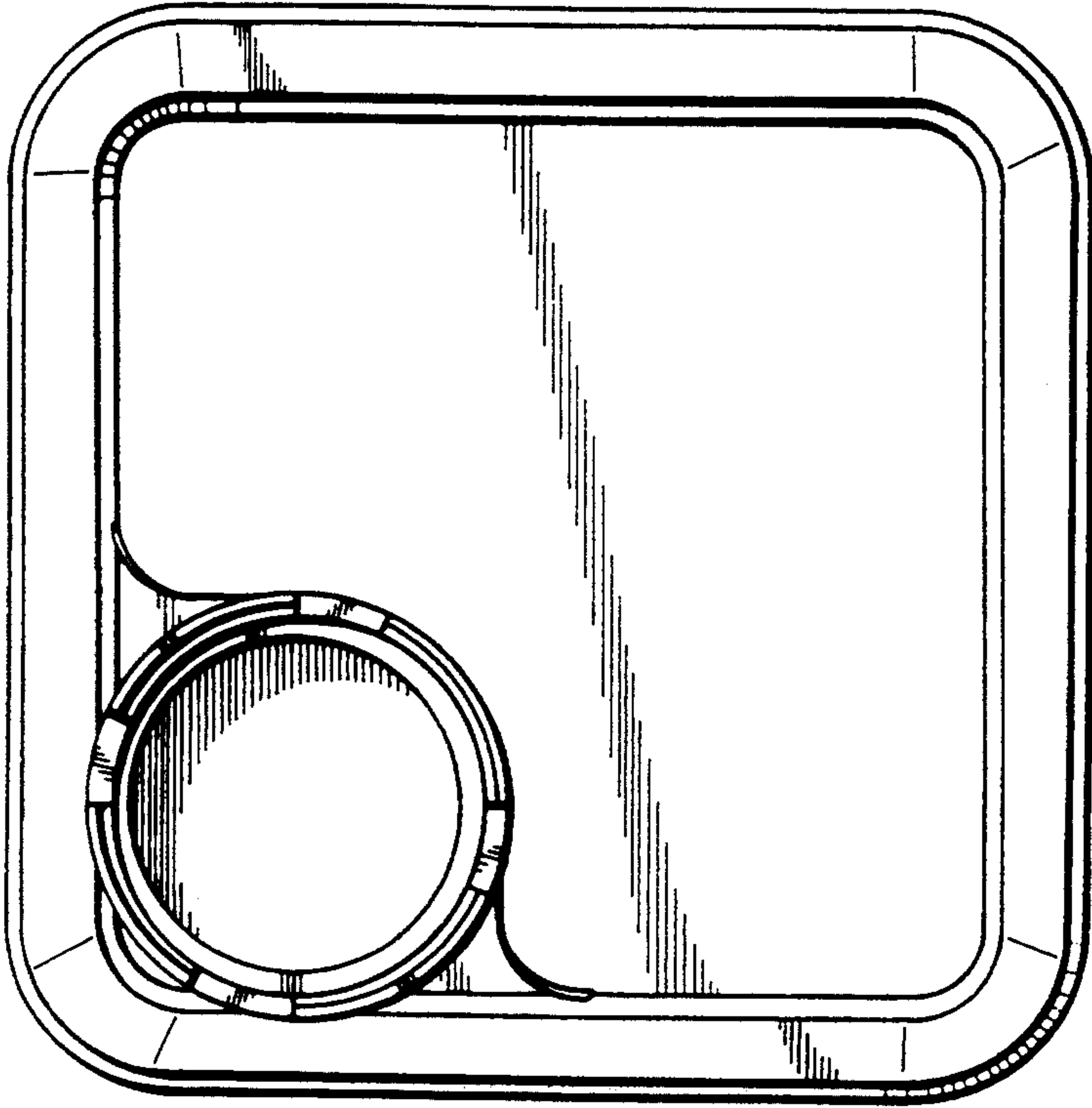


FIG 7

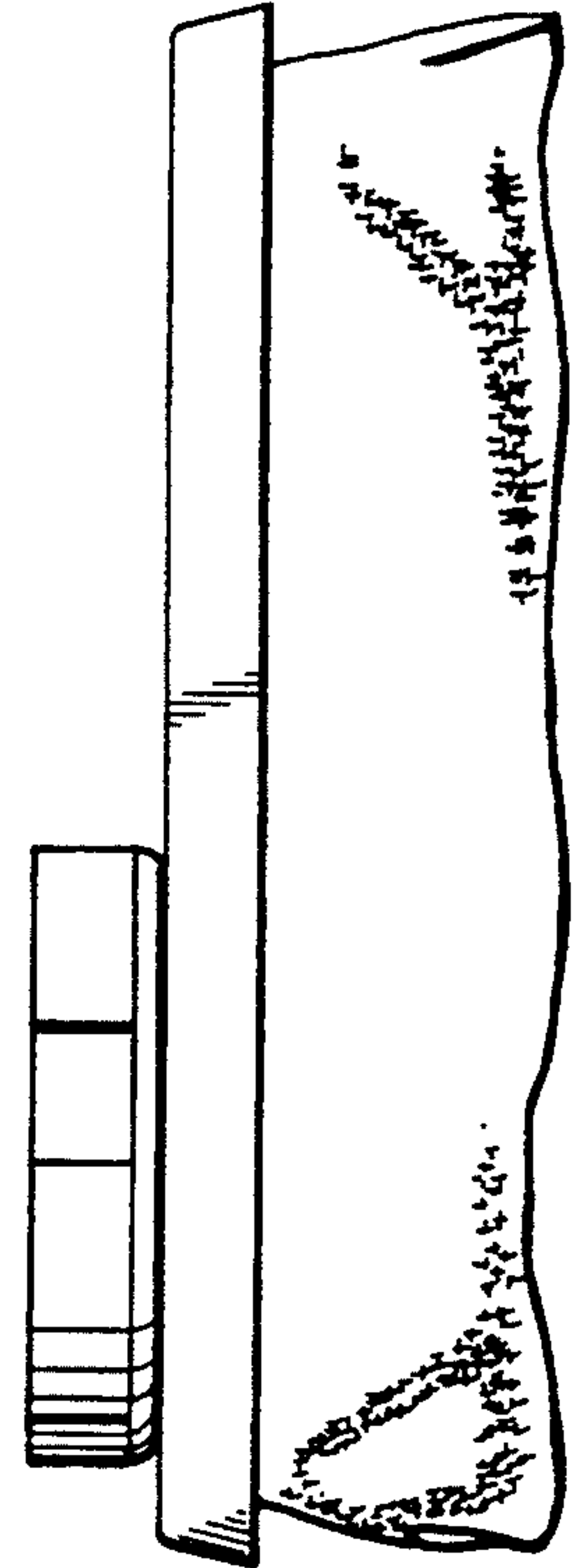


FIG 9

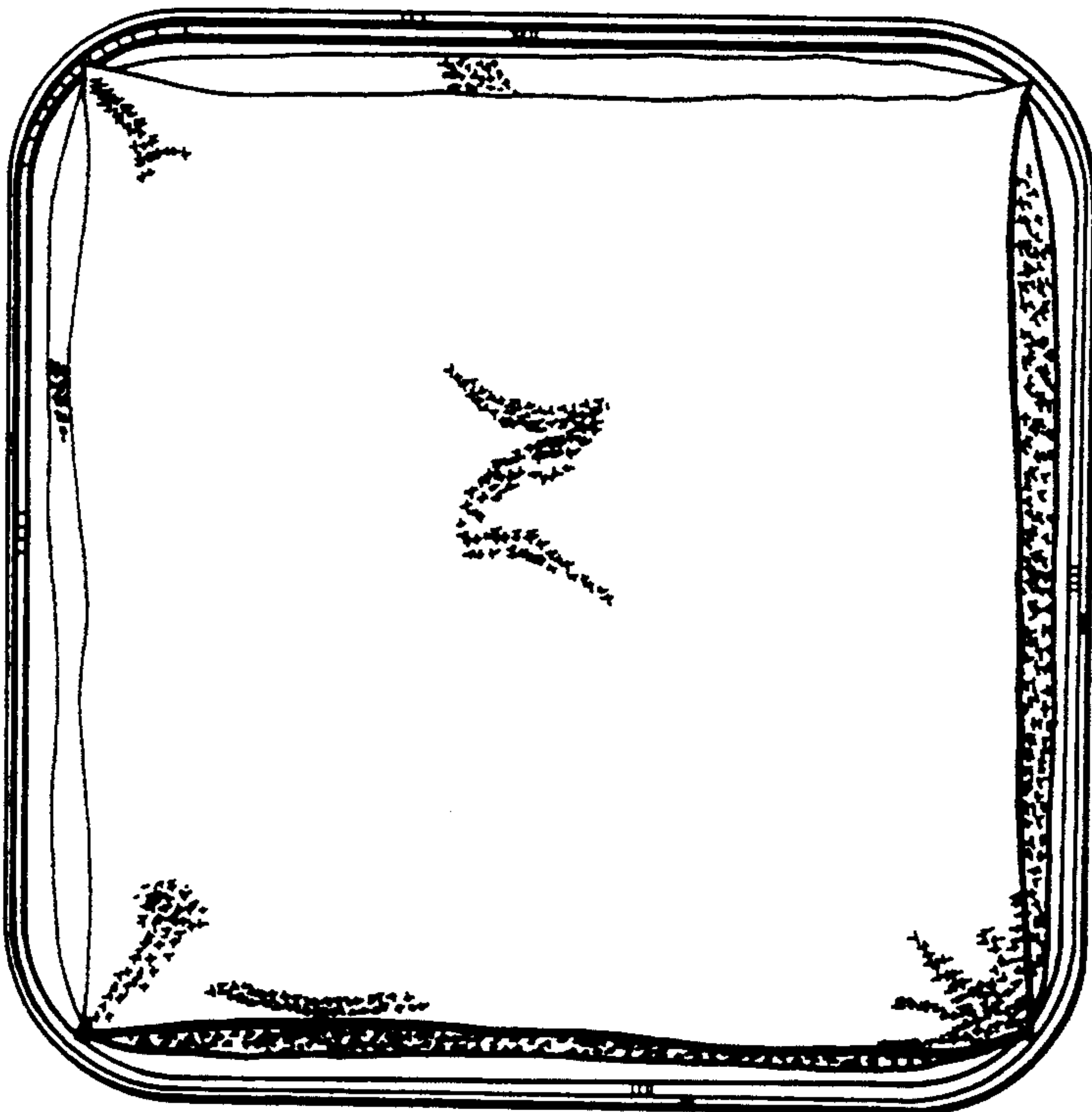


FIG 8

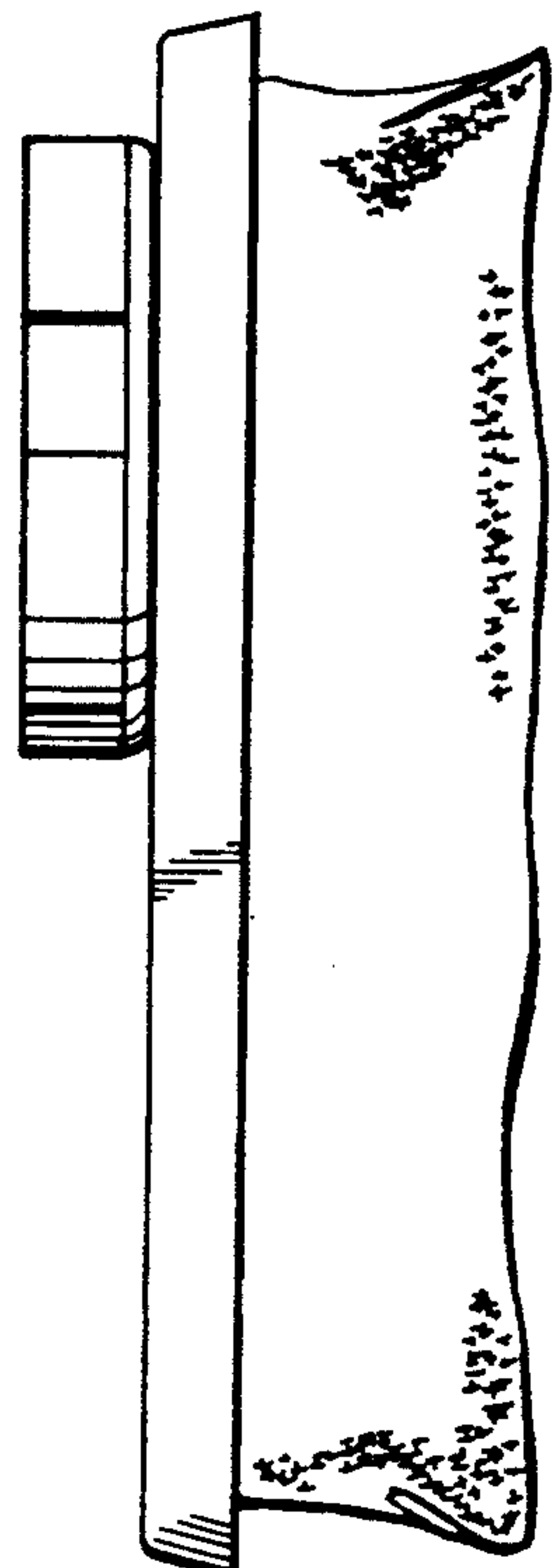


FIG 10

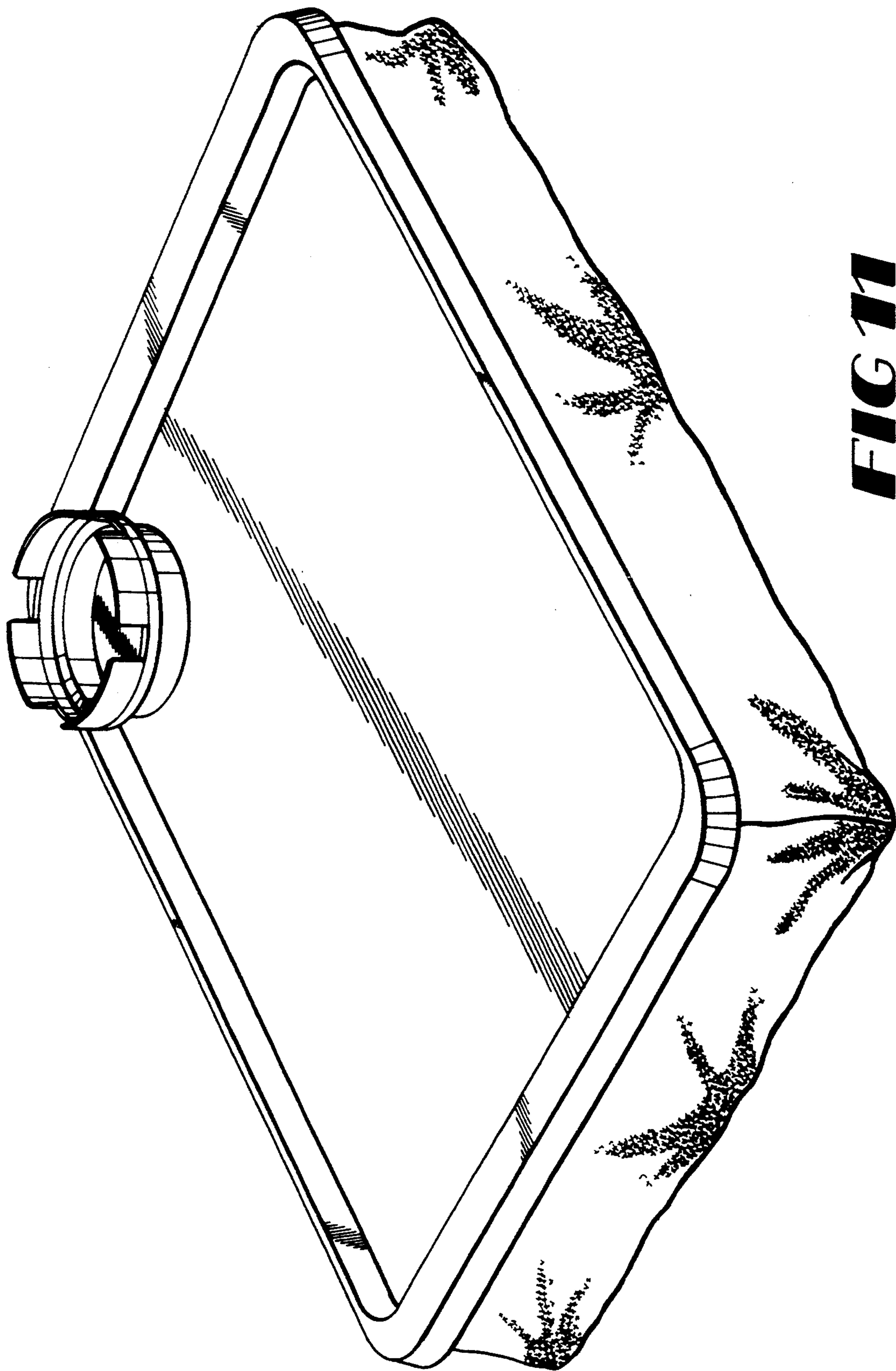


FIG 11

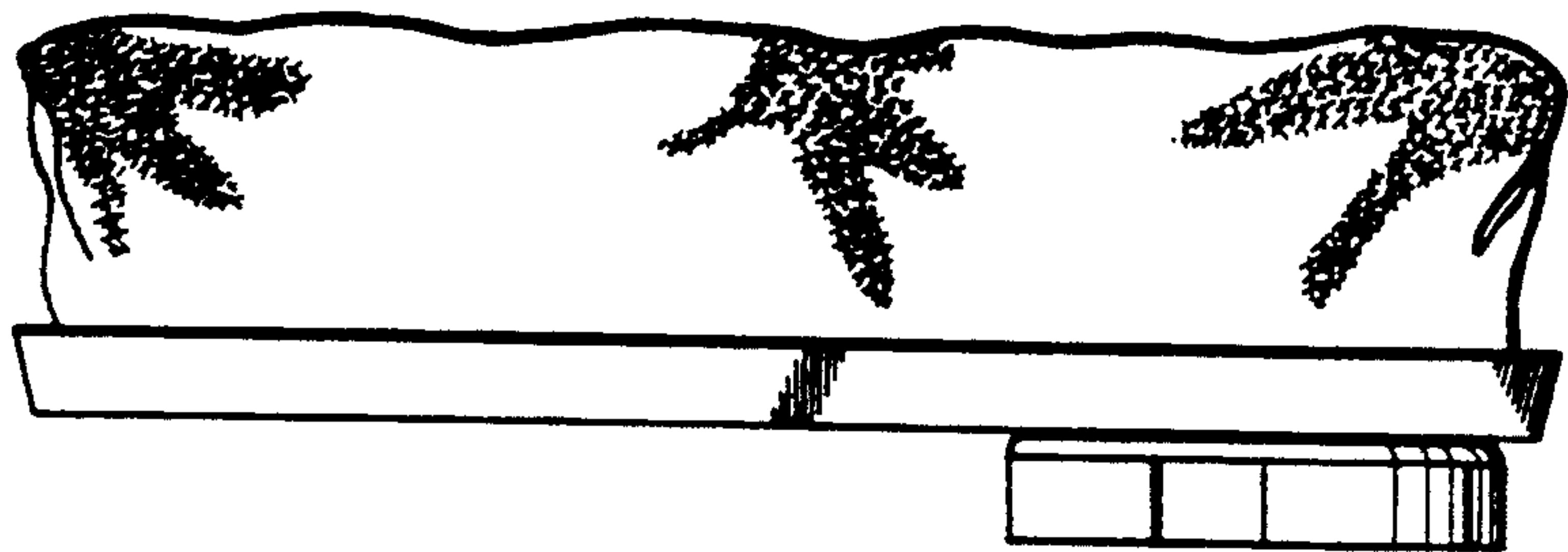


FIG 13

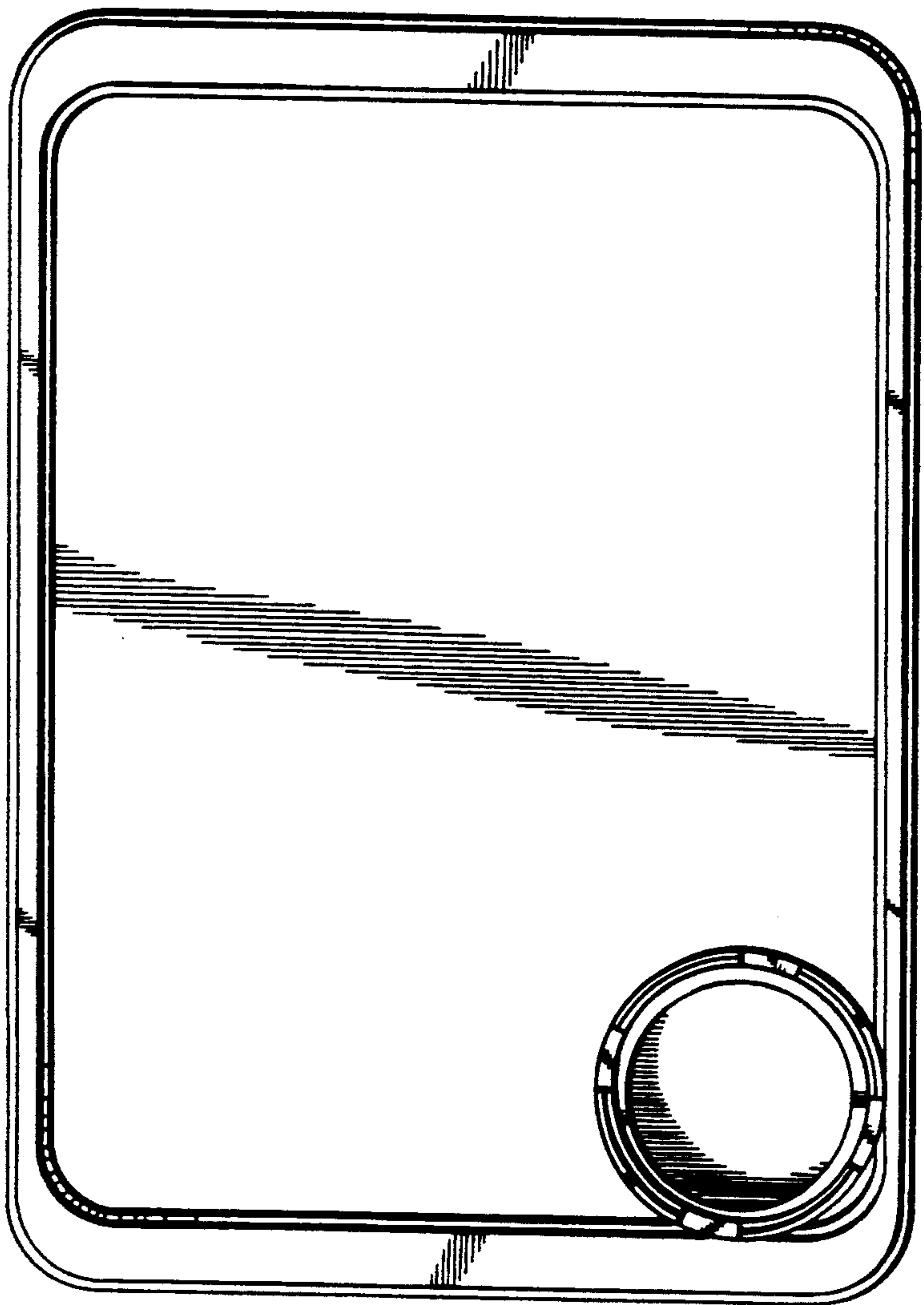


FIG 12

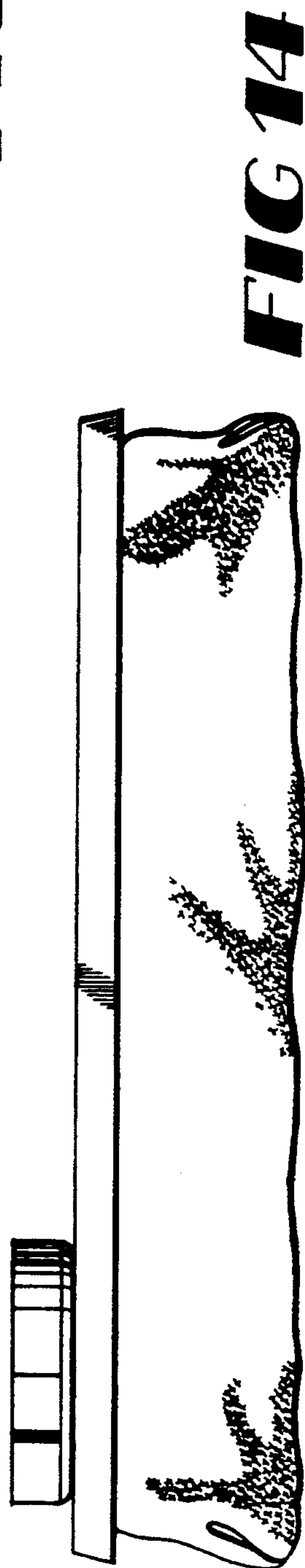


FIG 14

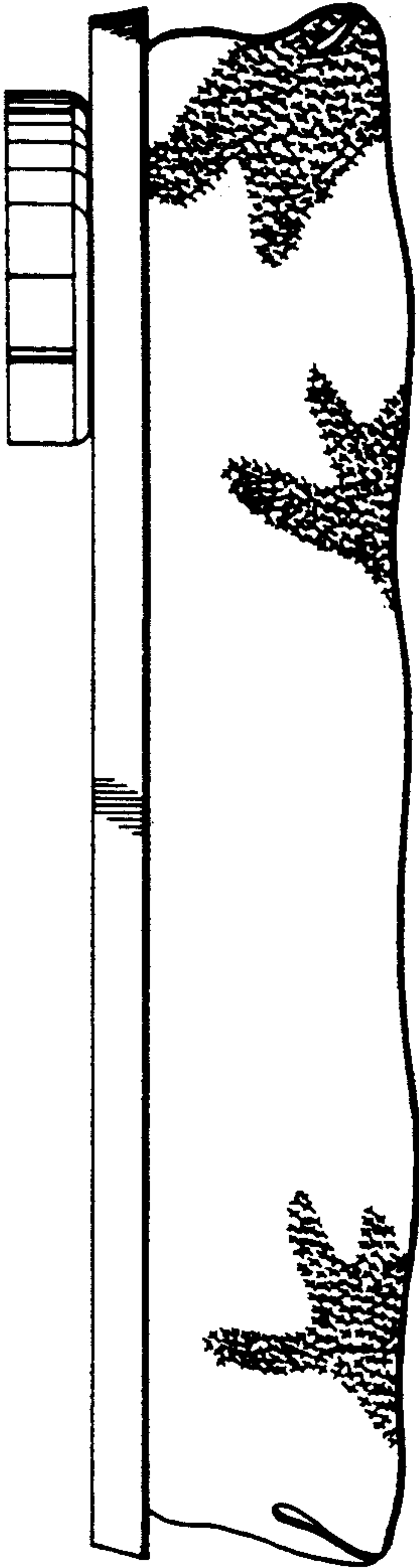


FIG 16

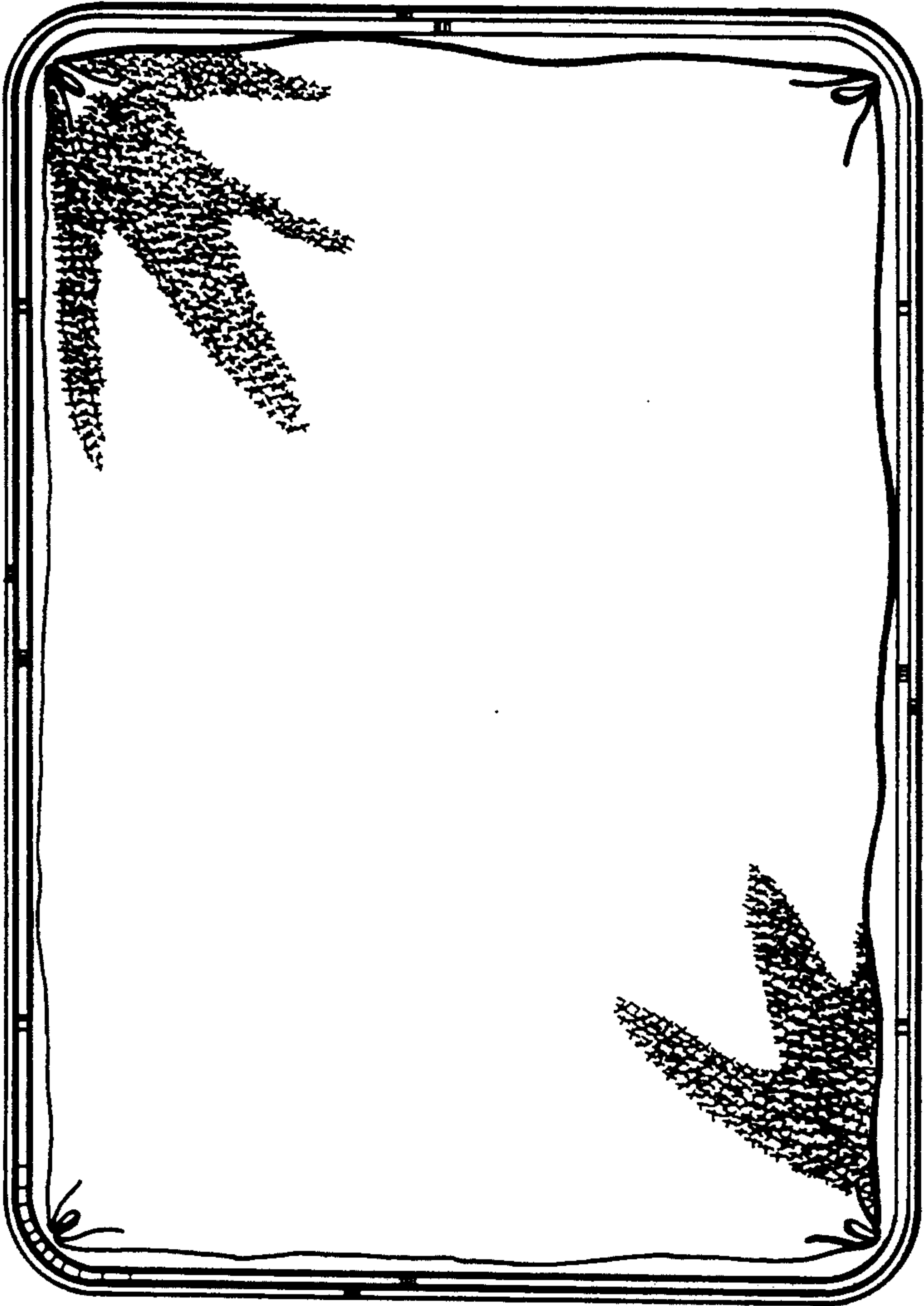


FIG 15

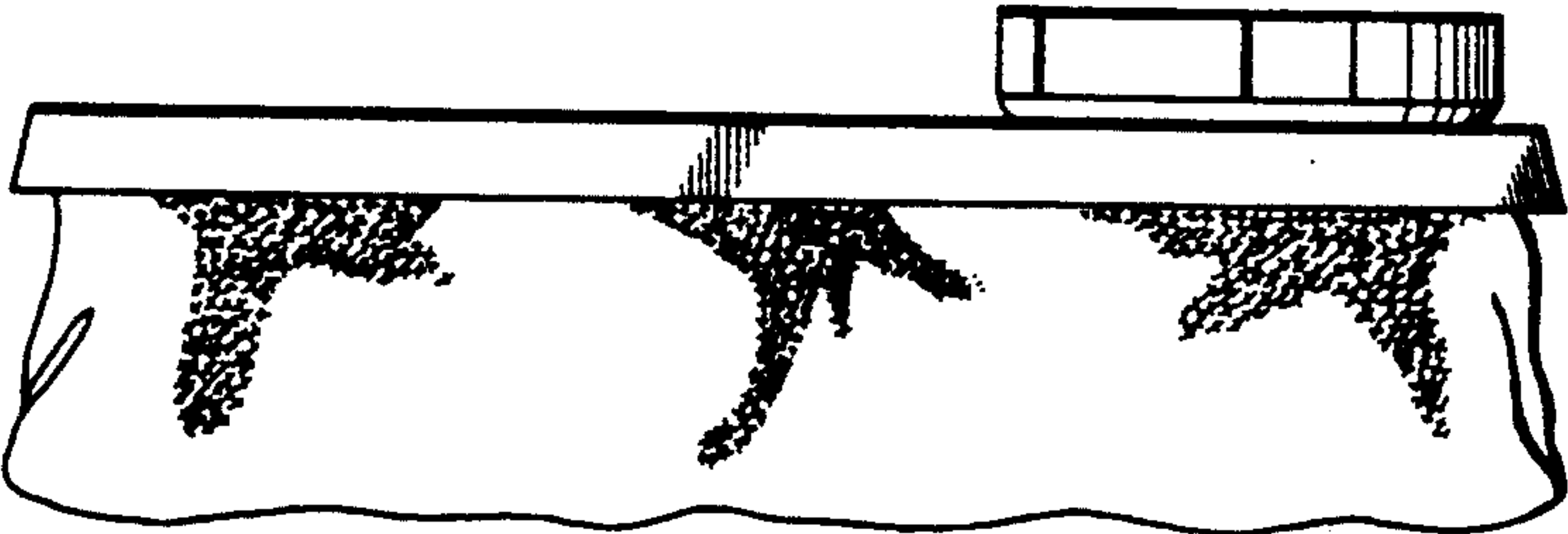


FIG 17