



US00D349425S

United States Patent [19]

[11] Patent Number: Des. 349,425

Kays et al.

[45] Date of Patent: ** Aug. 9, 1994

[54] SNACK TRAY

[76] Inventors: **H. Terrell Kays**, 4321 N. 500 East, Danville, Ind. 46122; **Robert J. Forestal**, 2714 Coldstream La., Indianapolis, Ind. 46220

[**] Term: 14 Years

[21] Appl. No.: 1,131

[22] Filed: Nov. 5, 1992

[52] U.S. Cl. D7/553; D7/554; D7/550; D7/549

[58] Field of Search D7/357, 550, 542, 553, D7/584, 555, 560, 544, 538, 539, 540, 541, 543, 545, 546, 547, 549, 551, 552, 554, 557, 559, 560, 562, 564, 565, 566, 567, 354, 360, 675, 555; 220/23.8, 912, 674, 675, 575; 206/564, 815; 211/74; 229/2.5 R

[56] **References Cited**

U.S. PATENT DOCUMENTS

D. 20,487	1/1891	McBride	D7/555
D. 196,854	11/1963	Nicholson	D7/553
D. 220,774	5/1971	Goings	D7/554
D. 261,591	11/1981	Herbst	D7/553 X
D. 280,669	9/1985	Hammeke	D7/553 X
D. 292,768	11/1987	Icearney	D7/553
D. 320,909	10/1991	Szablak et al.	D7/550 X
D. 338,808	8/1993	Anderson	D7/549 X
1,754,713	4/1930	Green	D7/553 X
2,295,860	9/1942	Oliver	D7/544 X
2,986,438	5/1961	Smathers et al.	D7/554 X
3,110,397	11/1963	Peck et al.	D7/554 X
3,542,280	11/1976	Crabtree	D7/554 X
3,874,548	4/1975	Buff et al.	220/912 X
3,942,671	3/1976	Florian	220/23.8
4,718,555	1/1988	Amberg	D7/552 X
5,152,398	10/1992	Forestal et al.	220/556 X

FOREIGN PATENT DOCUMENTS

1234794	10/1960	France	220/23.8
10624	of 1894	United Kingdom	220/23.8

OTHER PUBLICATIONS

Corn Cake Frame, Ekco Housewares Catalog.

Primary Examiner—Alan P. Douglas

Assistant Examiner—M. N. Pandozzi

Attorney, Agent, or Firm—Robert A. Spray

[57] **CLAIM**

The ornamental design for snack tray, as shown.

DESCRIPTION

FIG. 1 is a pictorial view according to the first embodiment of the design;

FIG. 2 is a cross-sectional view generally taken along the longitudinal axis of the design shown in FIG. 1;

FIG. 3 is a cross-sectional view like FIG. 2 except that the dashed lines illustrate the position of a person's hand while using the snack, tray having this design;

FIG. 4 is a plan view of the snack tray whose design is shown in FIG. 1;

FIG. 5 is a bottom plan view of the snack tray whose design is shown in FIG. 1;

FIG. 6 is an elevation view of the side of the snack tray according to the design of the embodiment of FIG. 1;

FIG. 7 is an elevation view of the end of the snack tray according to the design of the embodiment of FIG. 1;

FIG. 8 is an elevation view of the side of the snack tray, other than the one shown in FIG. 6, according to the design of FIG. 1;

FIG. 9 is an elevation view of the end of the snack tray, other than the one shown in FIG. 7, according to the design of FIG. 1;

FIG. 10 is a pictorial view according to the second embodiment of the design;

FIG. 11 is a cross-sectional view generally taken along the longitudinal axis of the design shown in FIG. 10;

FIG. 12 is a cross-sectional view like FIG. 11 except that the dashed lines illustrate the position of a person's hand while using the snack tray having this design;

FIG. 13 is a plan view of the snack tray whose design is shown in FIG. 10;

FIG. 14 is a bottom plan view of the snack tray whose design is shown in FIG. 10;

FIG. 15 is an elevation view of the side of the snack tray according to the design of the embodiment of FIG. 10;

FIG. 16 is an elevation view of the end of the snack tray according to the design of the embodiment of FIG. 10;

FIG. 17 is an elevation view of the side of the snack tray, other than the one shown in FIG. 15, according to the design of FIG. 10;

(List continued on next page.)

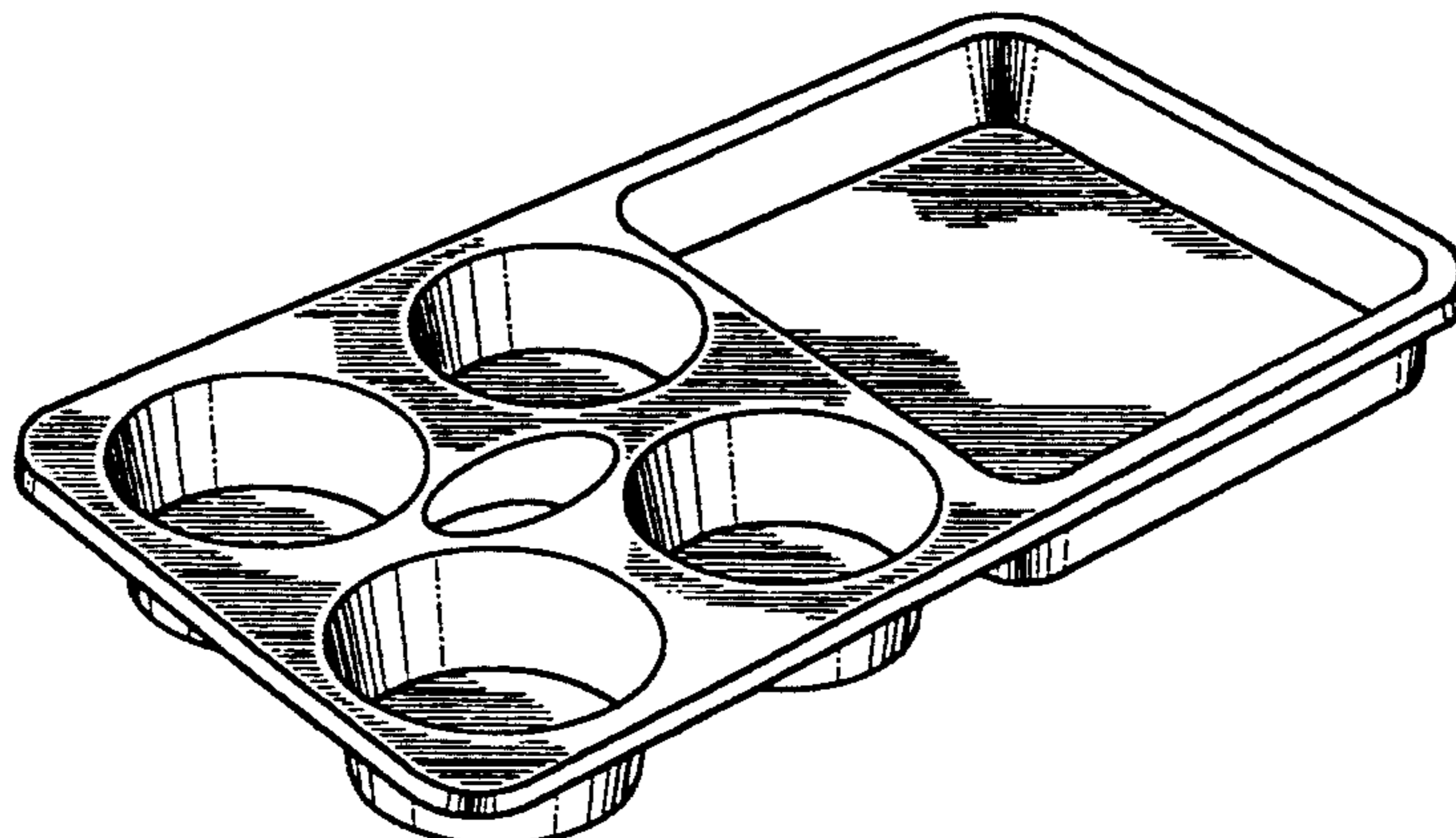


FIG. 18 is an elevation view of the end of the snack tray, other than the one shown in FIG. 16, according to the design of FIG. 10;

FIG. 19 is a pictorial view according to the third embodiment of the design;

FIG. 20 is a cross-sectional view generally taken along the longitudinal axis of the design shown in FIG. 19;

FIG. 21 is a cross-sectional view like FIG. 20 except that the dashed lines illustrate the position of a person's hand while using the snack tray having this design;

FIG. 22 is a plan view of the snack tray whose design is shown in FIG. 19;

FIG. 23 is a bottom plan view of the snack tray whose design is shown in FIG. 19;

FIG. 24 is an elevation view of the side of the snack tray according to the design of the embodiment of FIG. 19;

FIG. 25 is an elevation view of the end of the snack tray according to the design of the embodiment of FIG. 19;

FIG. 26 is an elevation view of the side of the snack tray, other than the one shown in FIG. 24, according to the design of FIG. 19;

FIG. 27 is an elevation view of the end of the snack tray, other than the one shown in FIG. 25, according to the design of FIG. 19;

FIG. 28 is a pictorial view according to the fourth embodiment of the design;

FIG. 29 is a cross-sectional view generally taken along the longitudinal axis of the design shown in FIG. 28;

FIG. 30 is a cross-sectional view like FIG. 29 except that the dashed lines illustrate the position of a person's hand while using the snack tray having this design;

FIG. 31 is a plan view of the snack tray whose design is shown in FIG. 28;

FIG. 32 is a bottom plan view of the snack tray whose design is shown in FIG. 28;

FIG. 33 is an elevation view of the side of the snack tray according to the design of the embodiment of FIG. 28;

FIG. 34 is an elevation view of the end of the snack tray according to the design of the embodiment of FIG. 28;

FIG. 35 is an elevation view of the side of the snack tray, other than the one shown in FIG. 33, according to the design of FIG. 28; and,

FIG. 36 is an elevation view of the end of the snack tray, other than the one shown in FIG. 34, according to the design of FIG. 28.

The broken line showing of a hand in FIGS. 3, 12, 21, and 30 is for illustrative purposes only and forms no part of the claimed design.

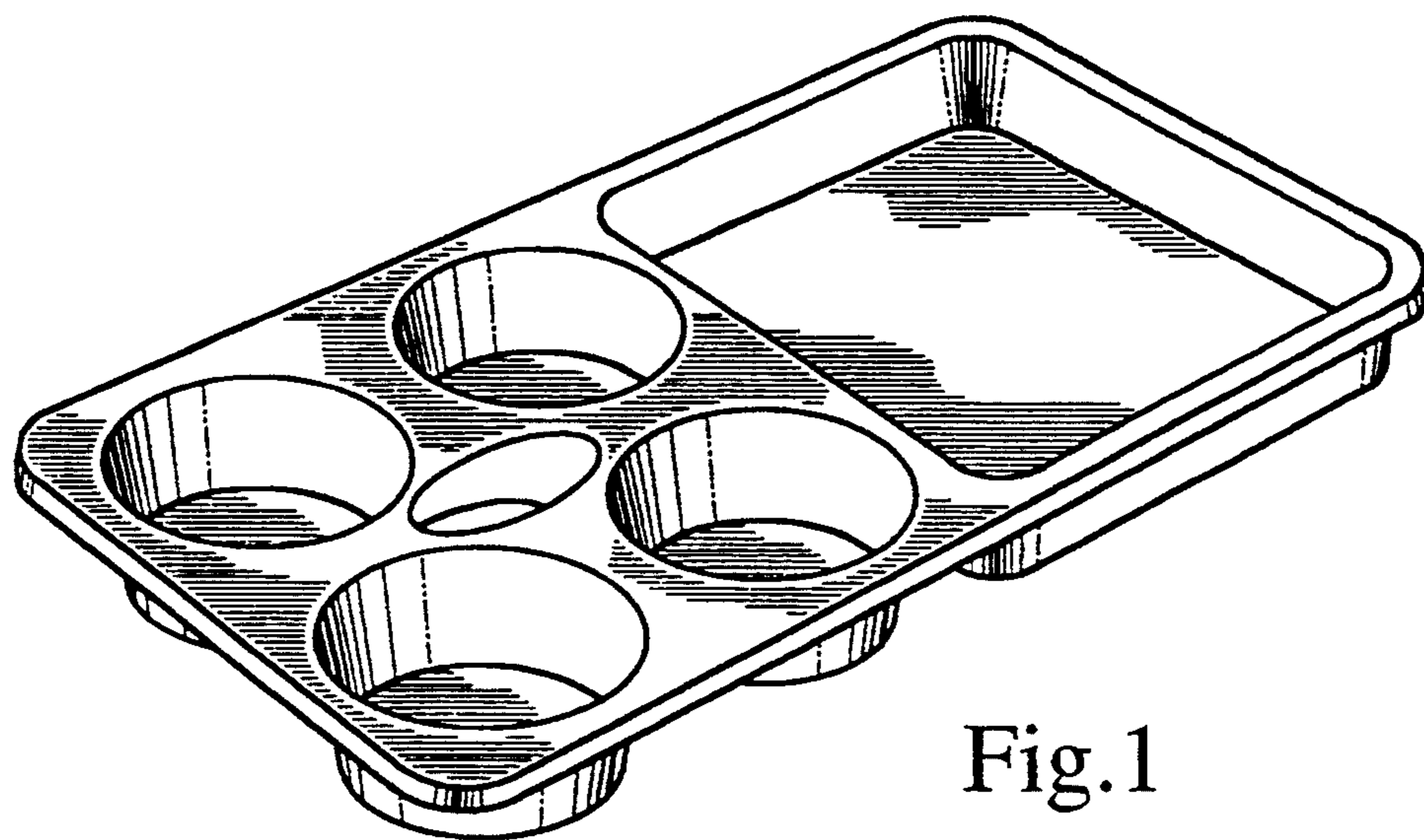


Fig.1

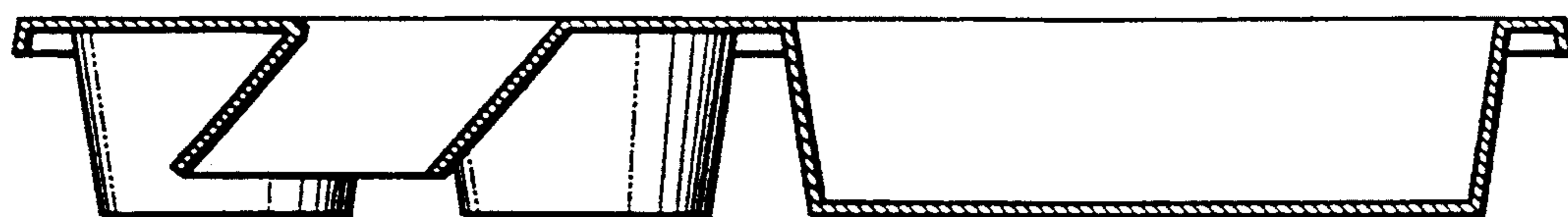


Fig.2

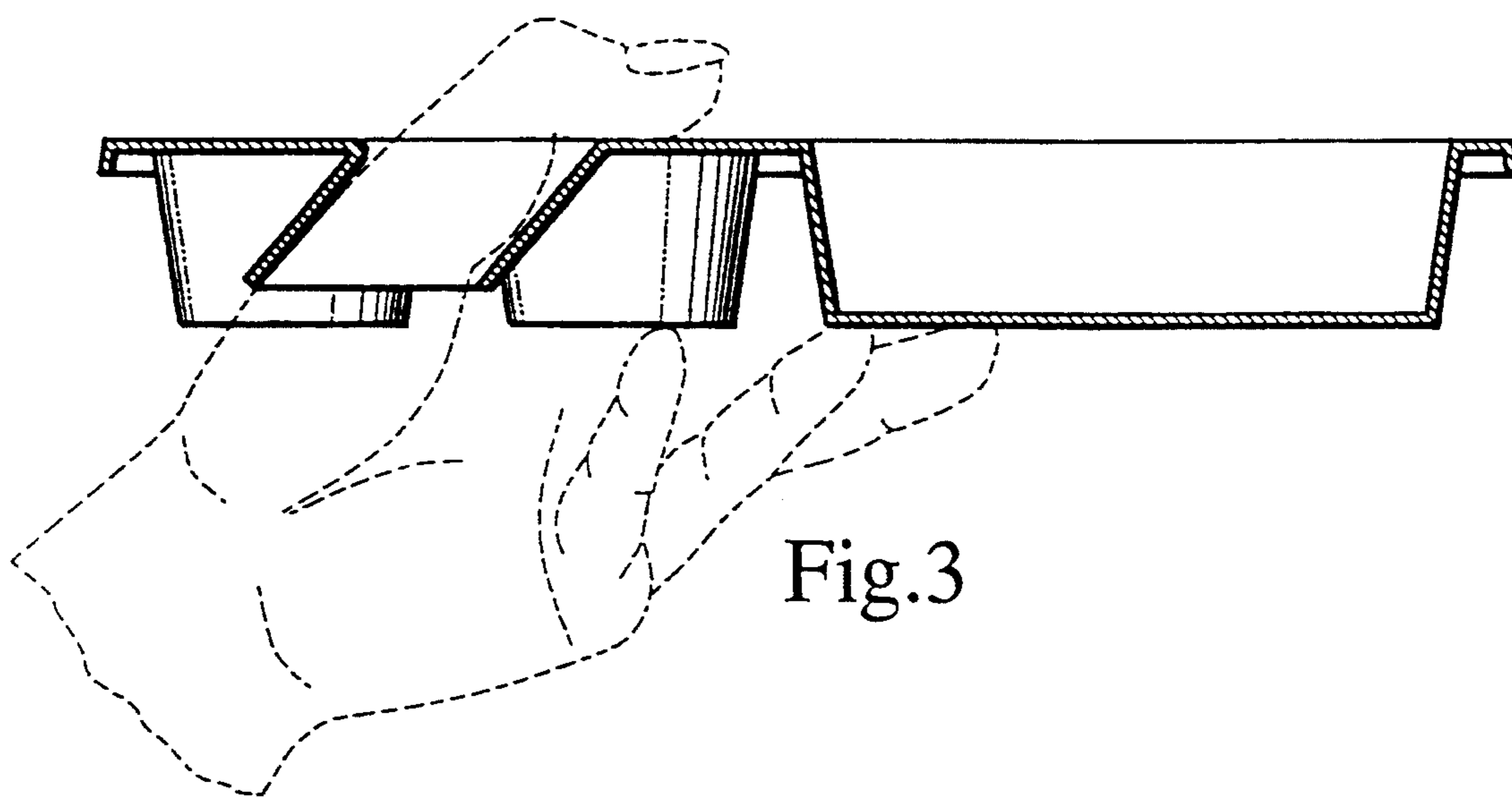


Fig.3

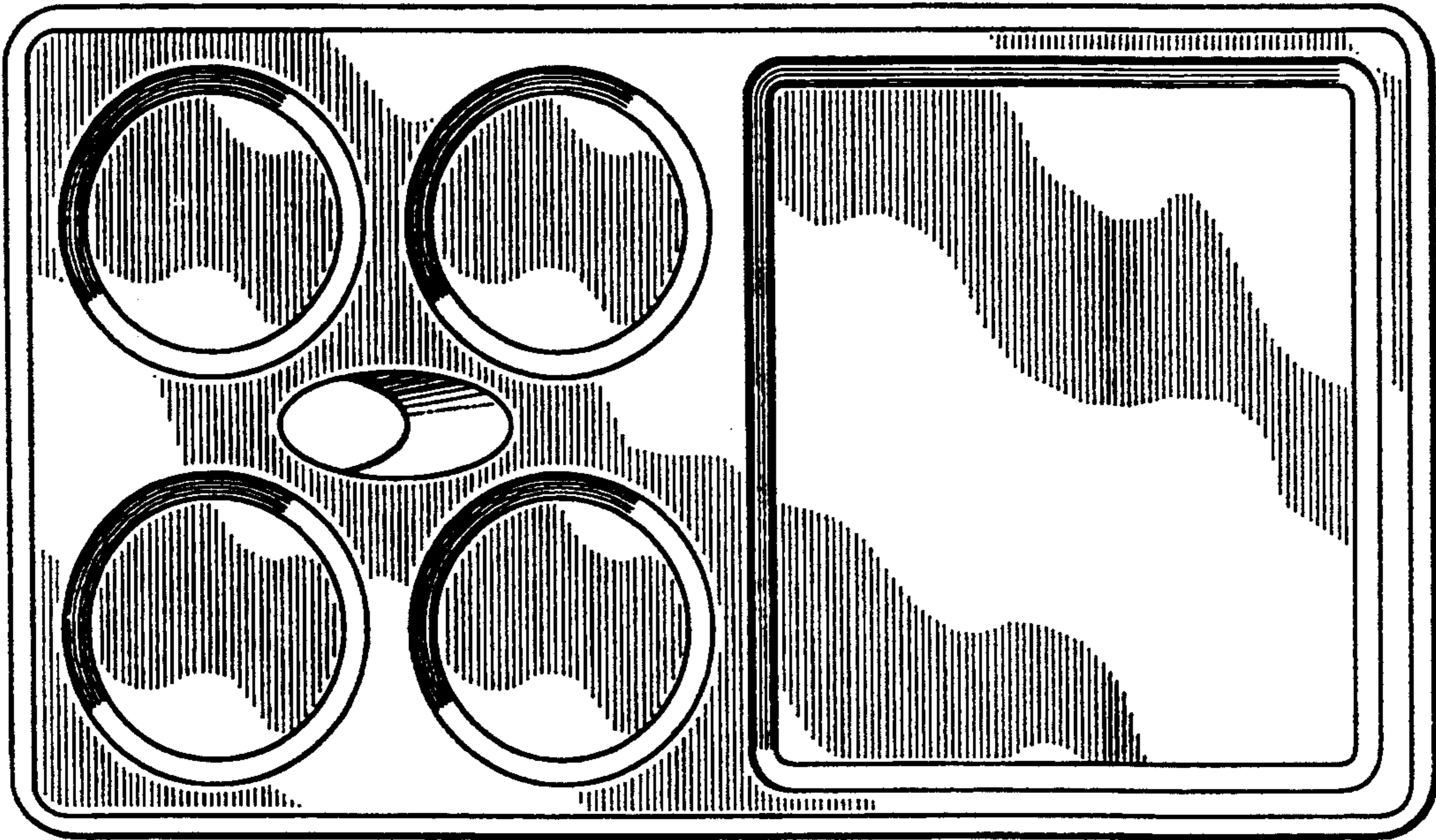


Fig.4

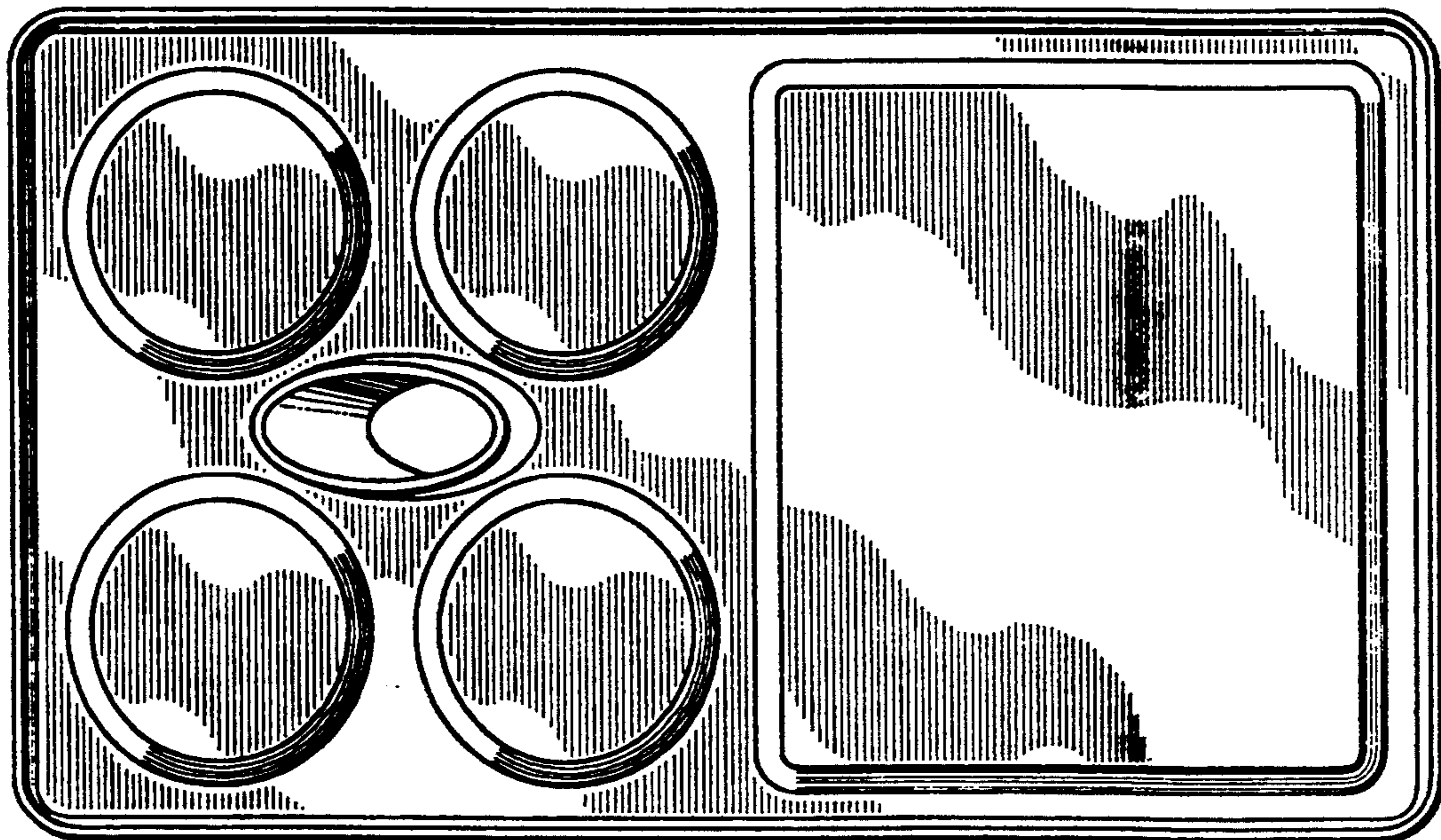


Fig.5

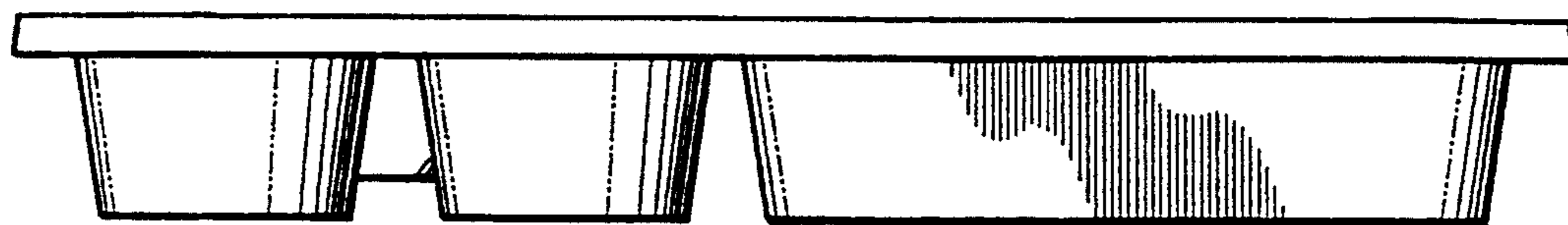


Fig.6

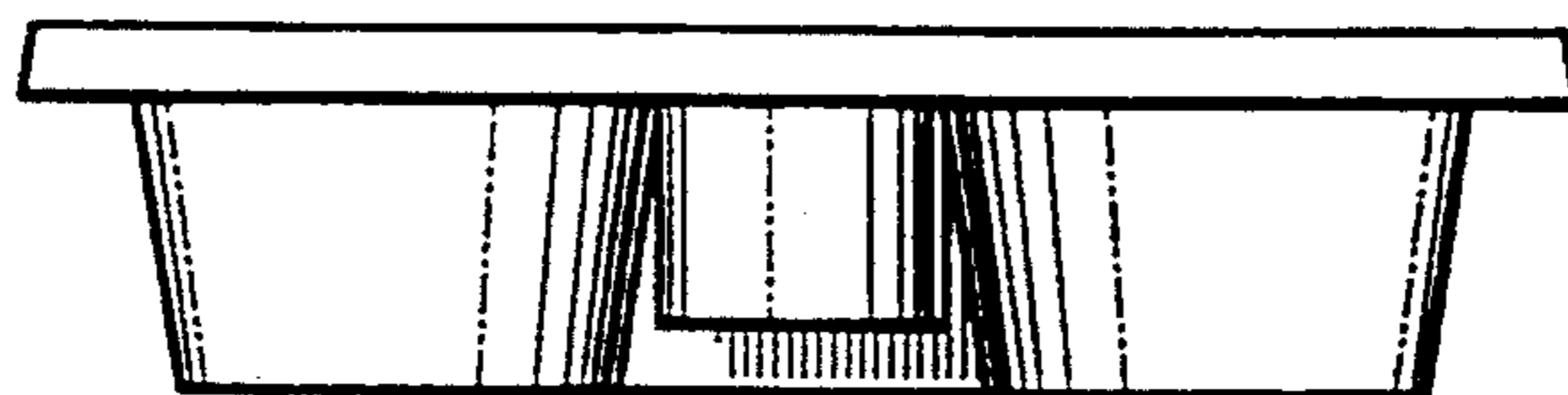


Fig.7



Fig.8

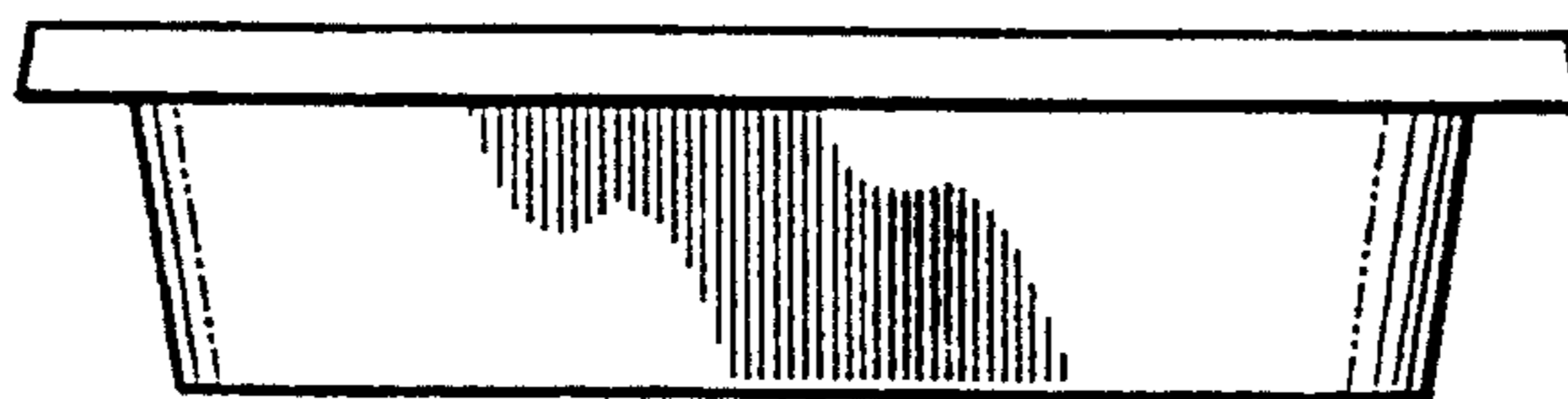


Fig.9

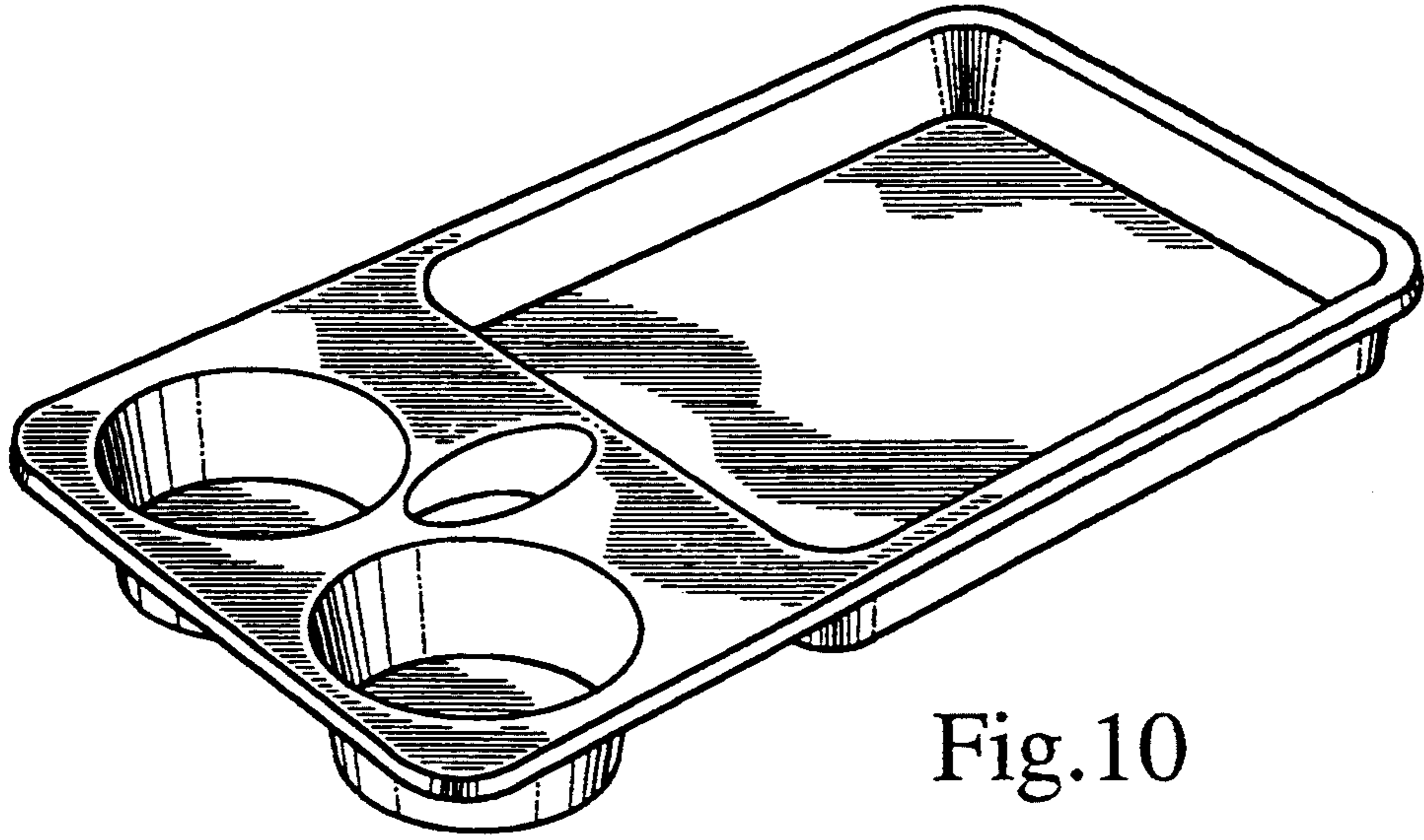


Fig.10



Fig.11

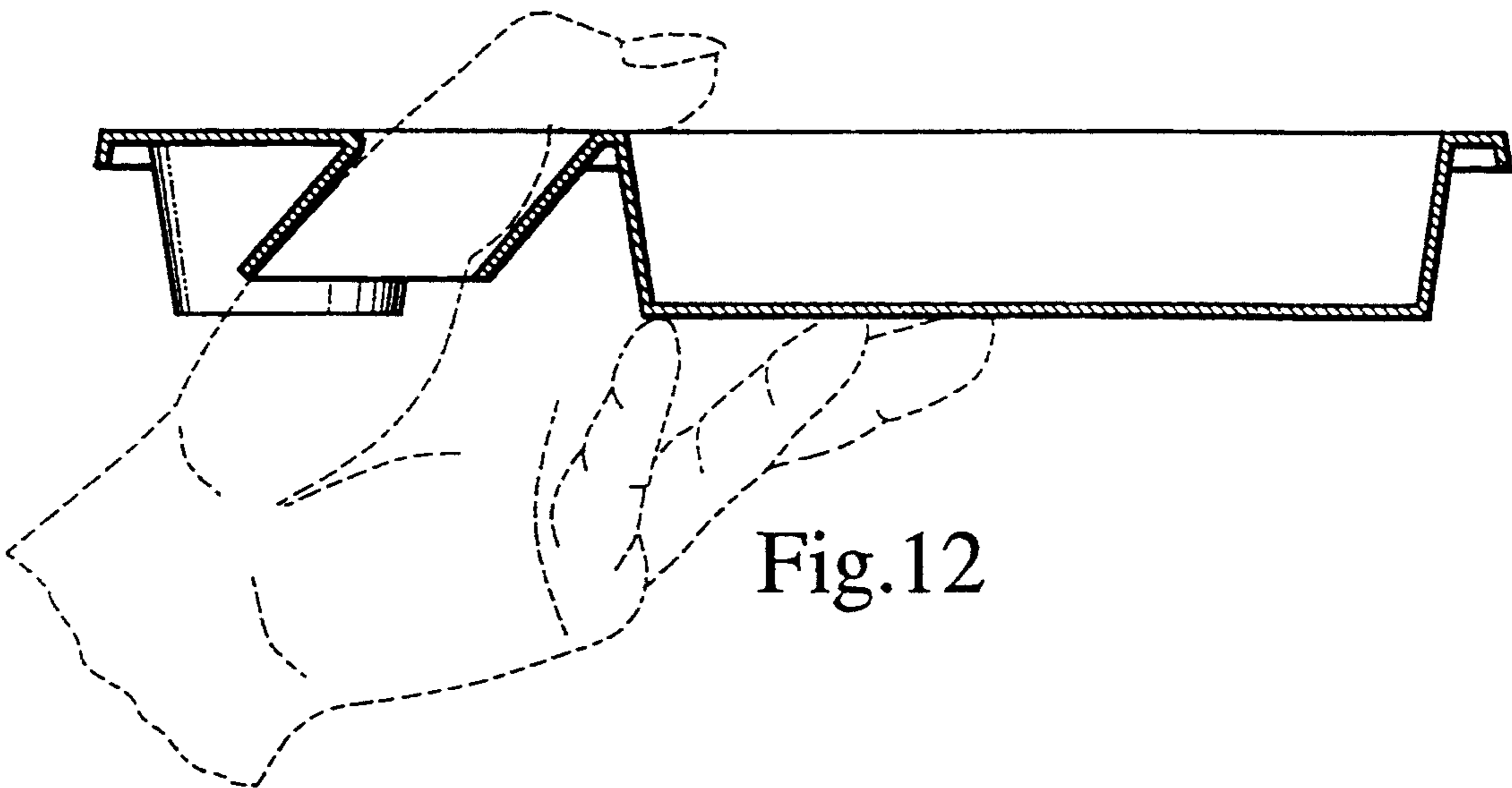


Fig.12

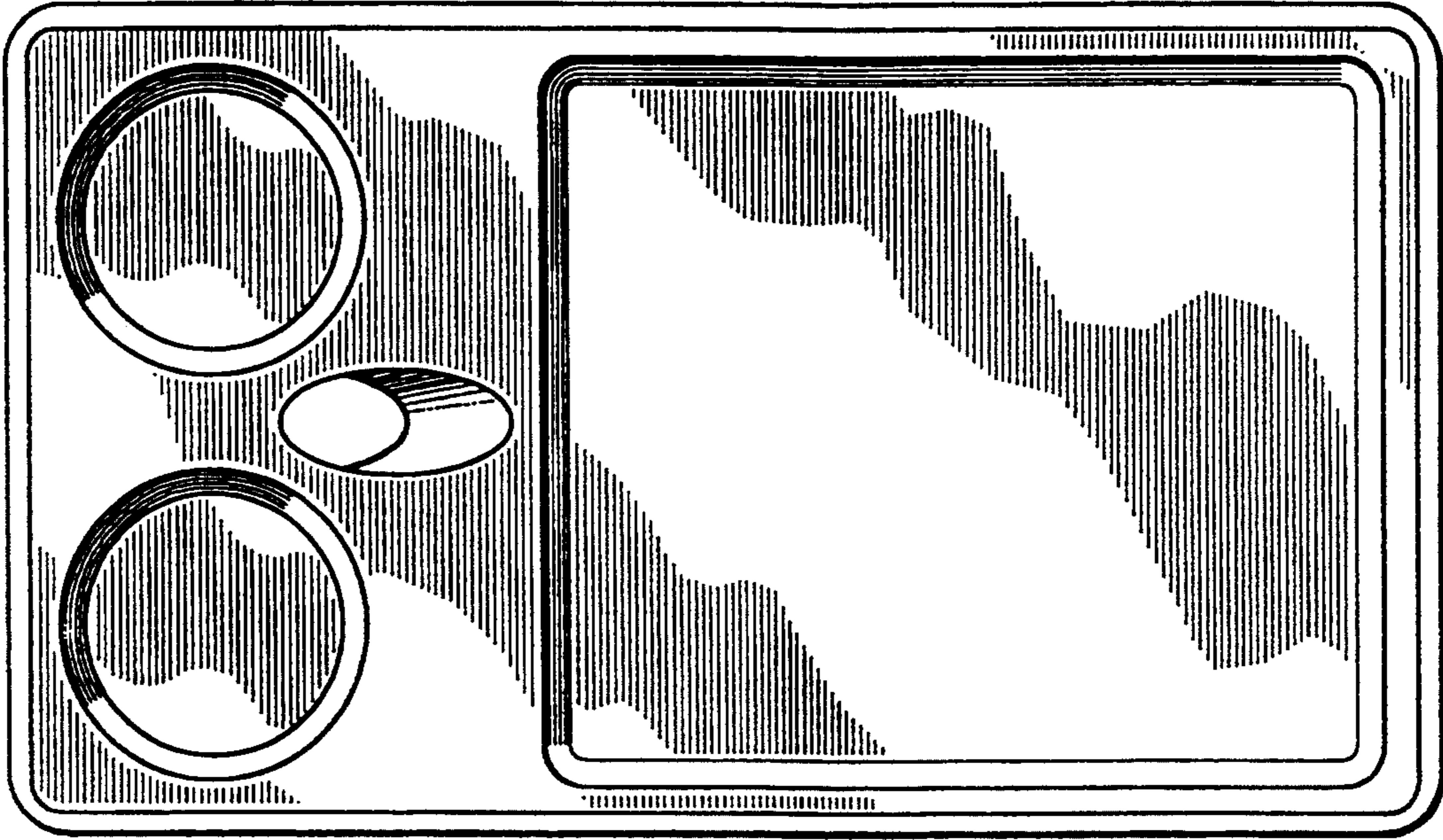


Fig.13

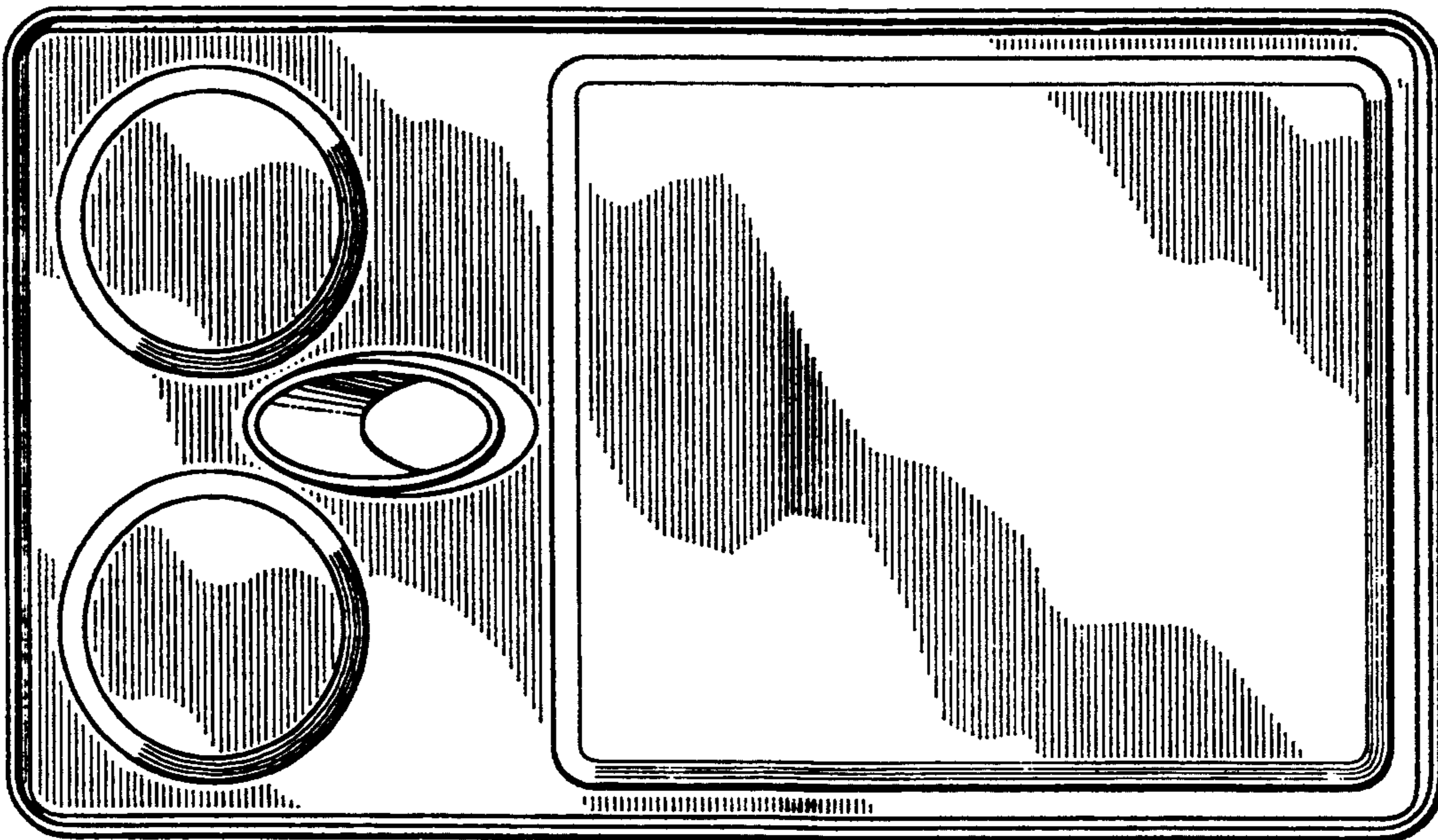


Fig.14

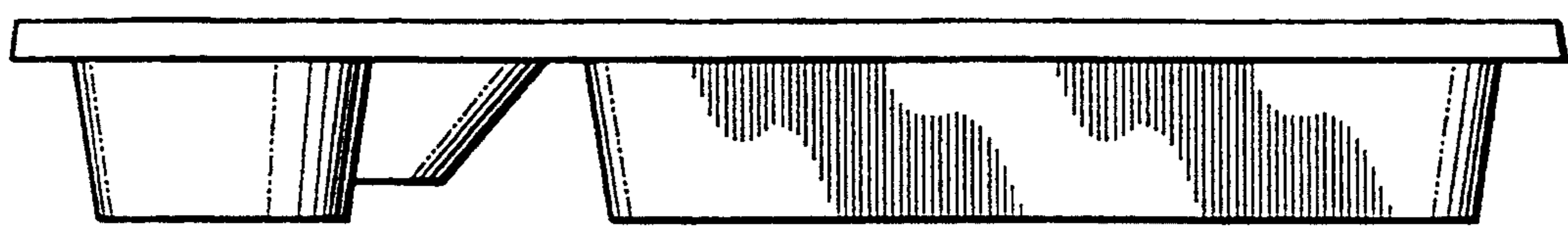


Fig.15

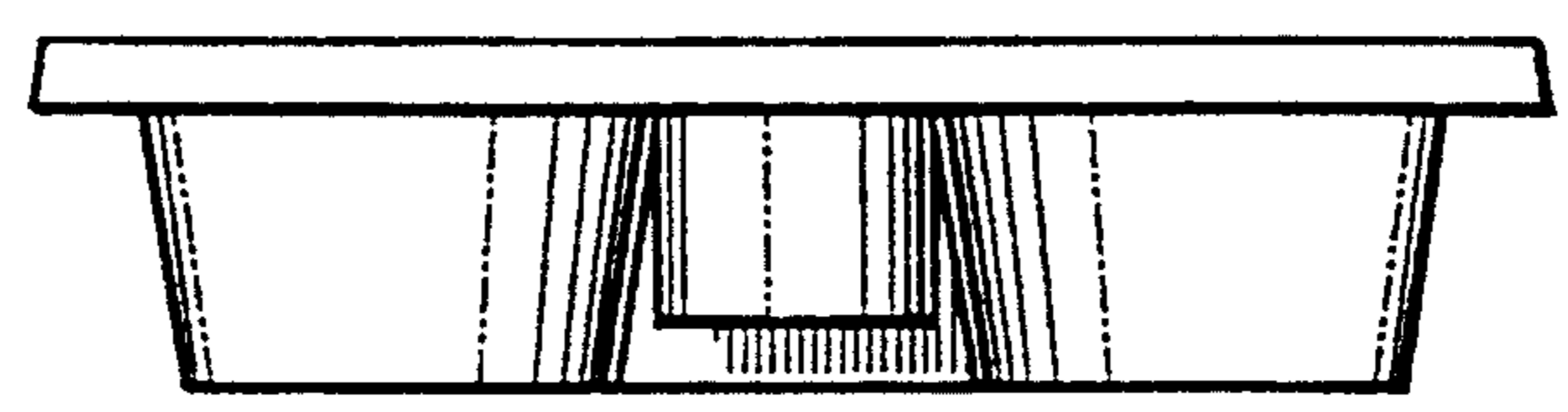


Fig.16

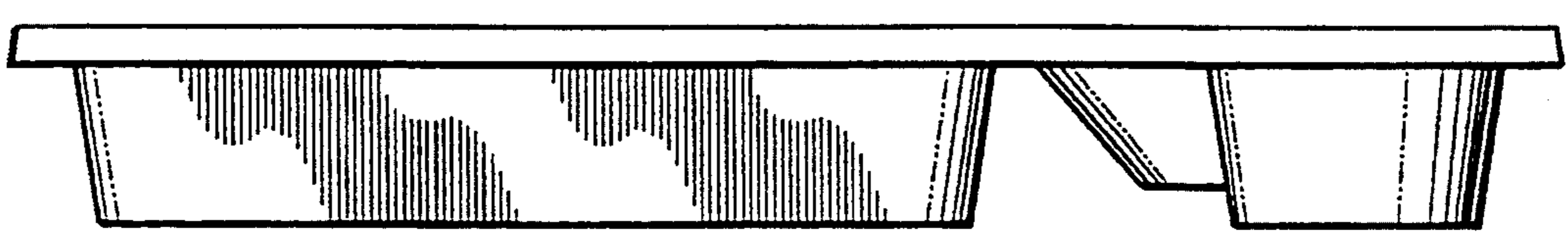


Fig.17

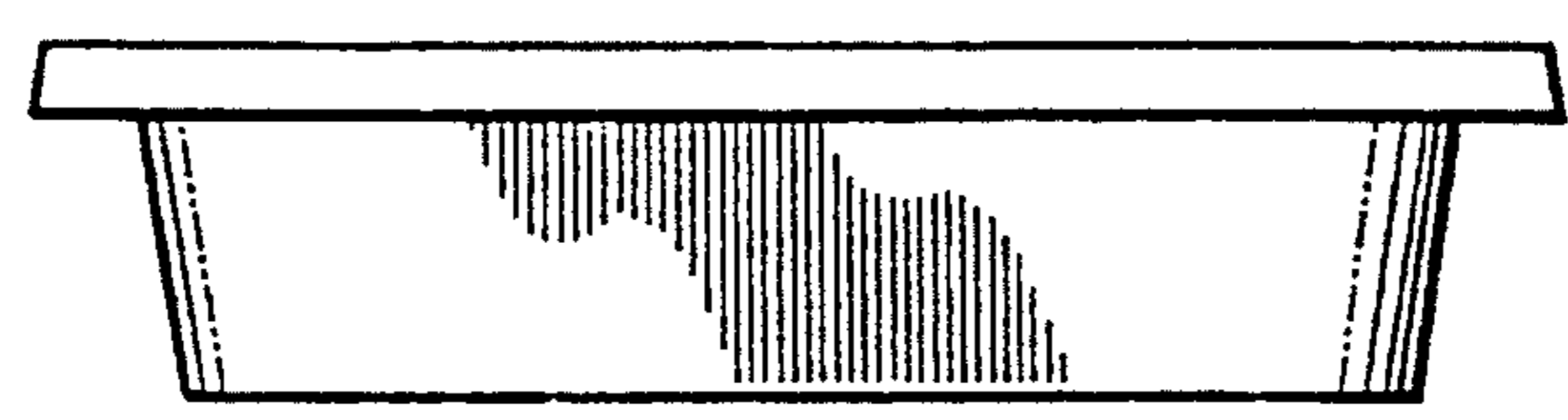


Fig.18

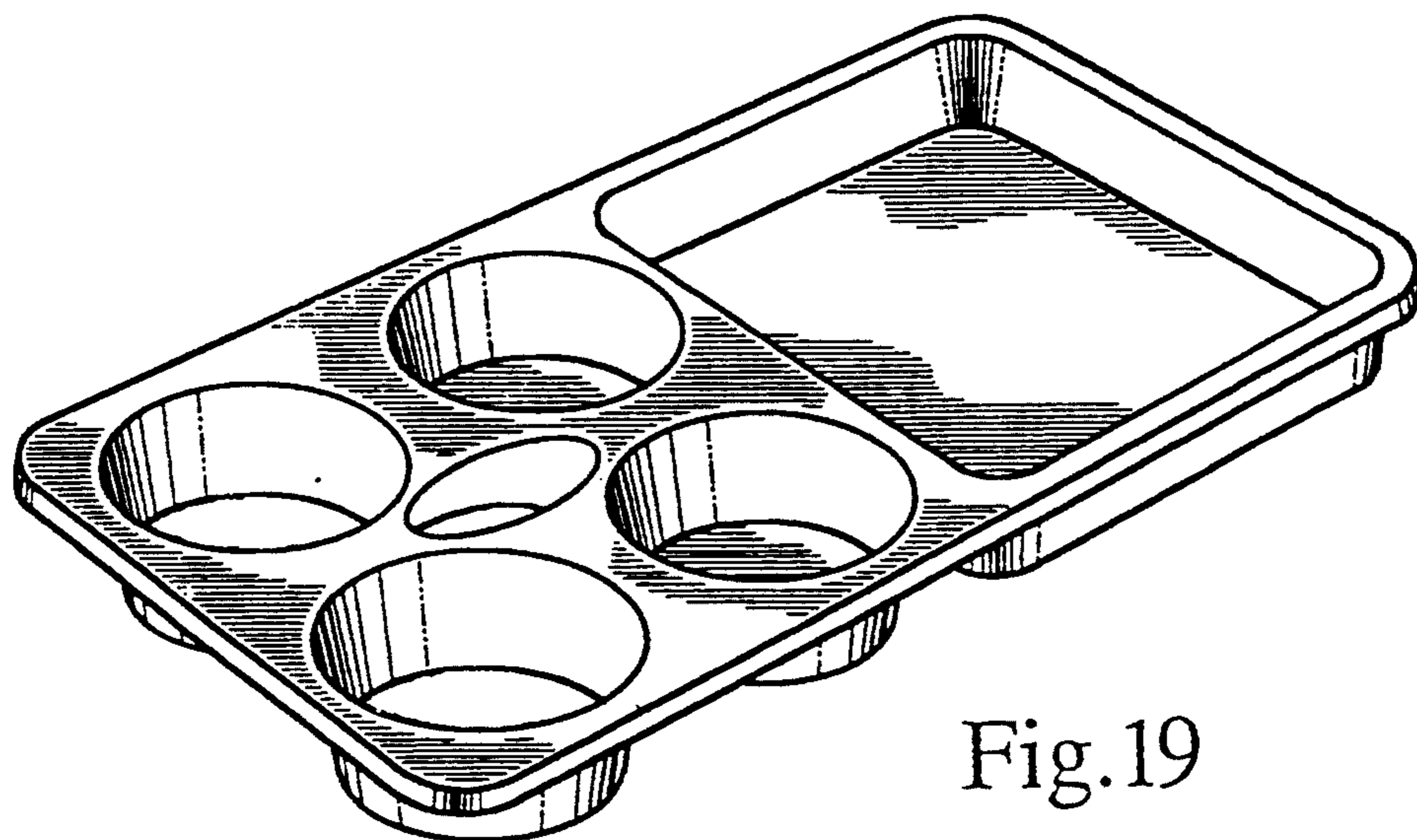


Fig. 19

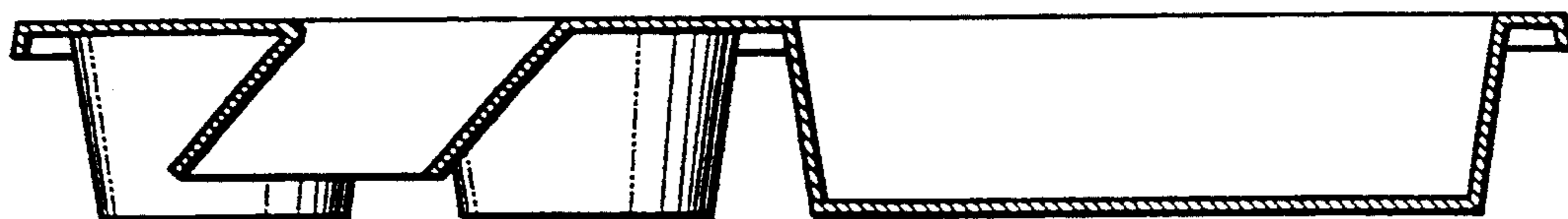


Fig. 20

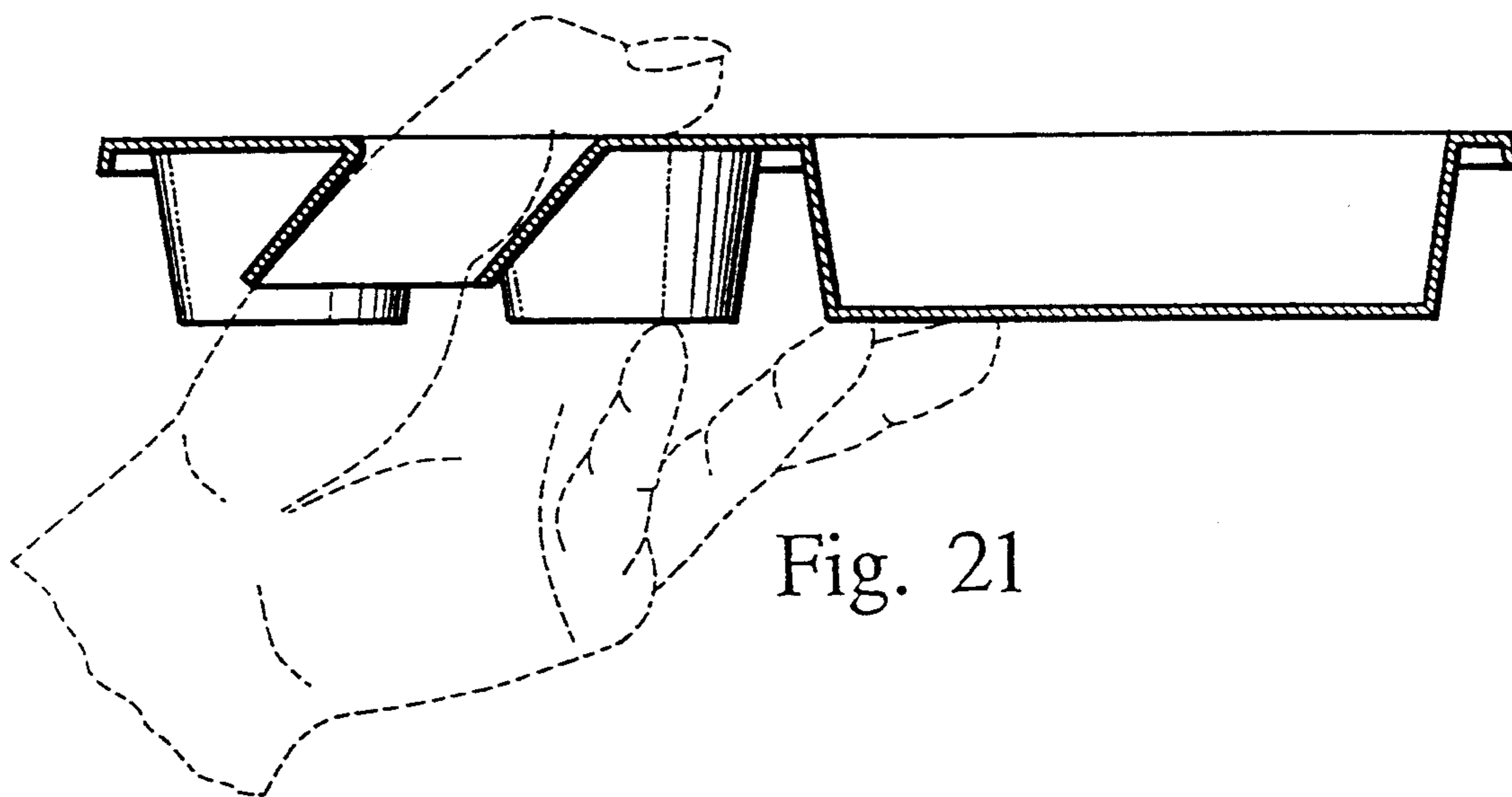


Fig. 21

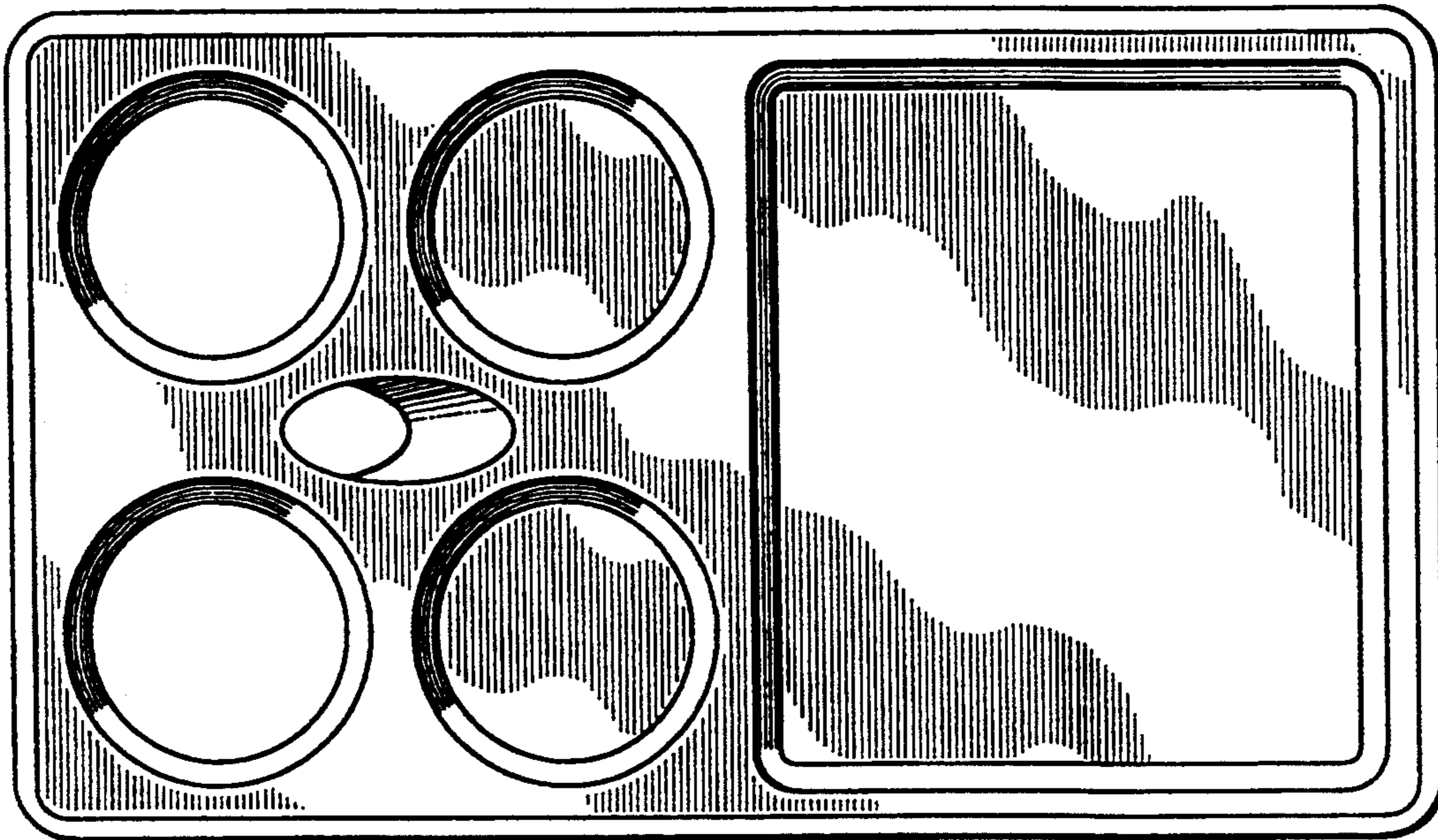


Fig. 22

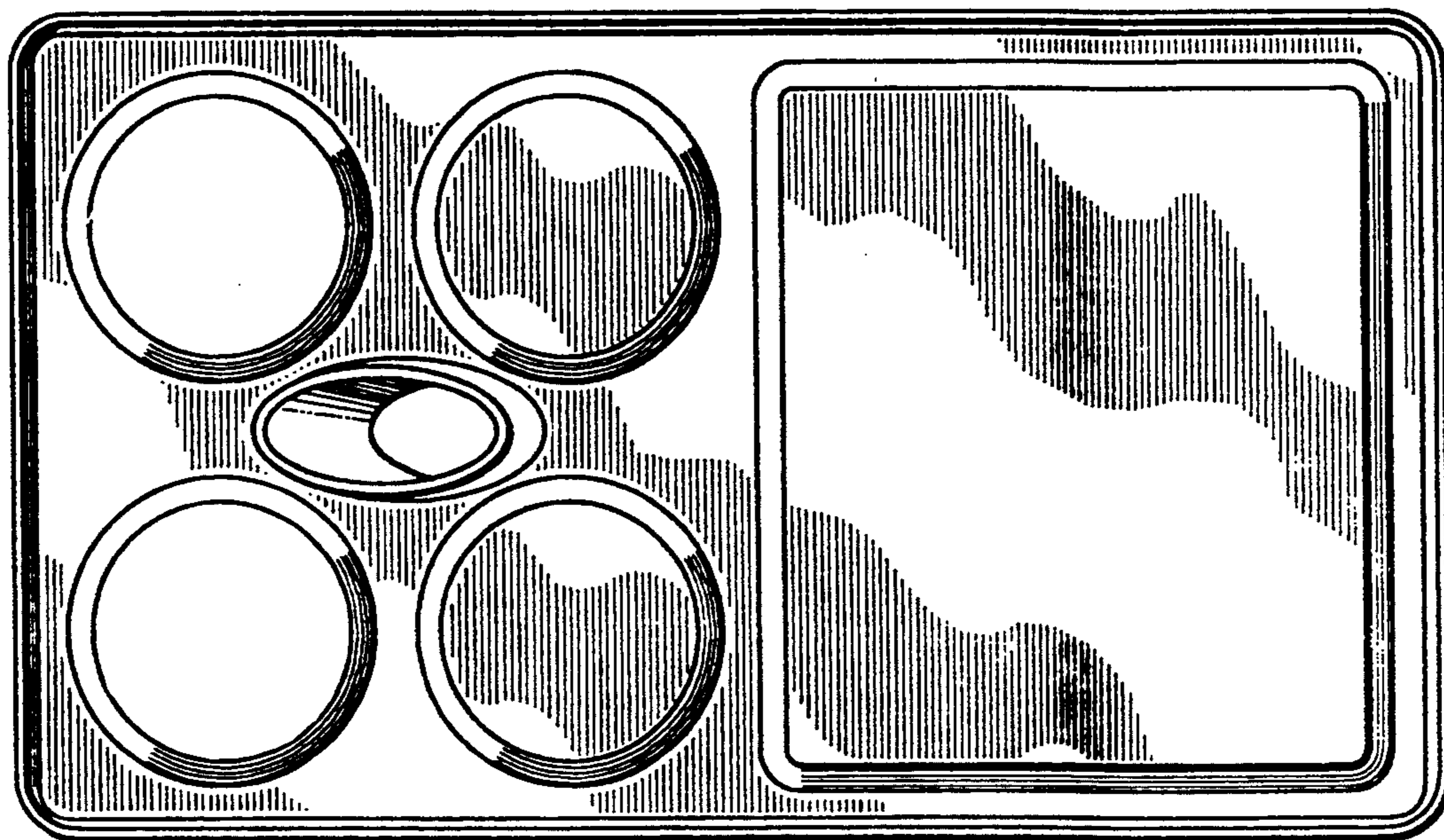


Fig. 23

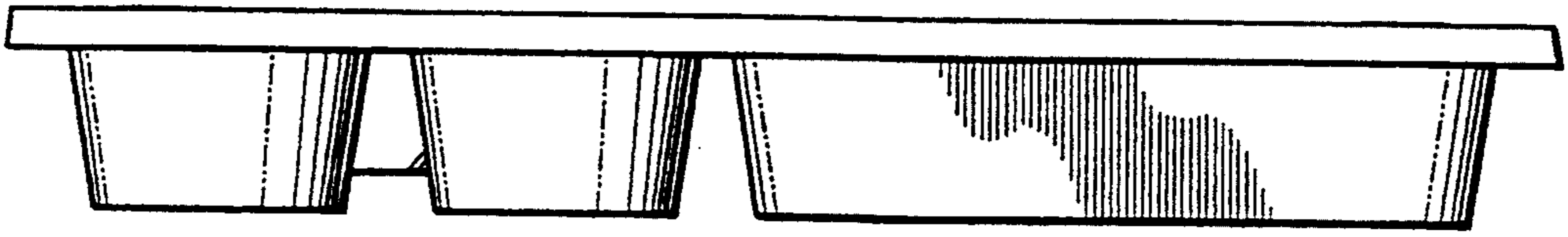


Fig. 24

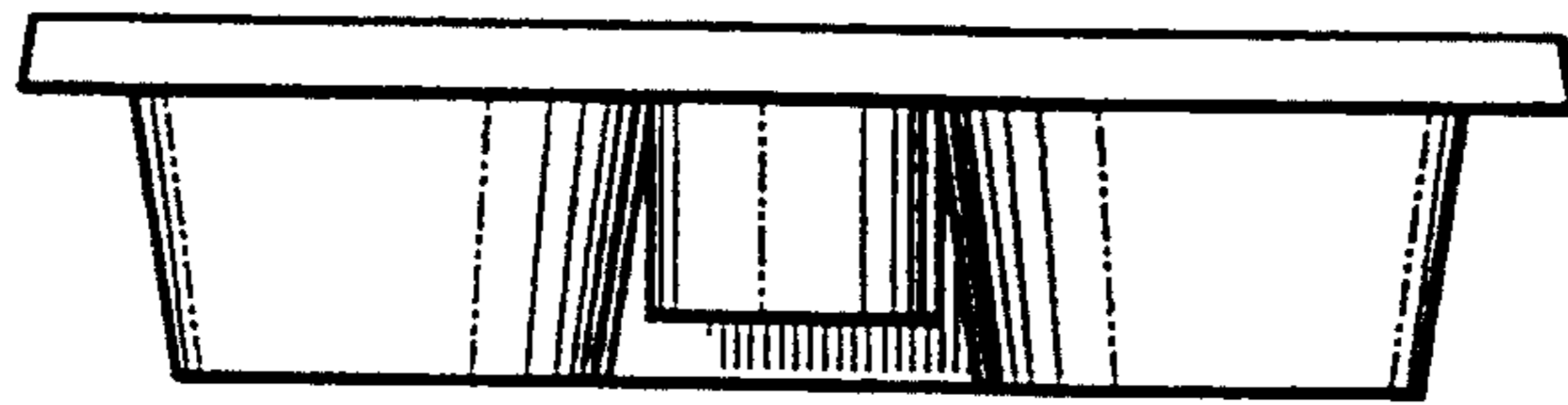


Fig. 25

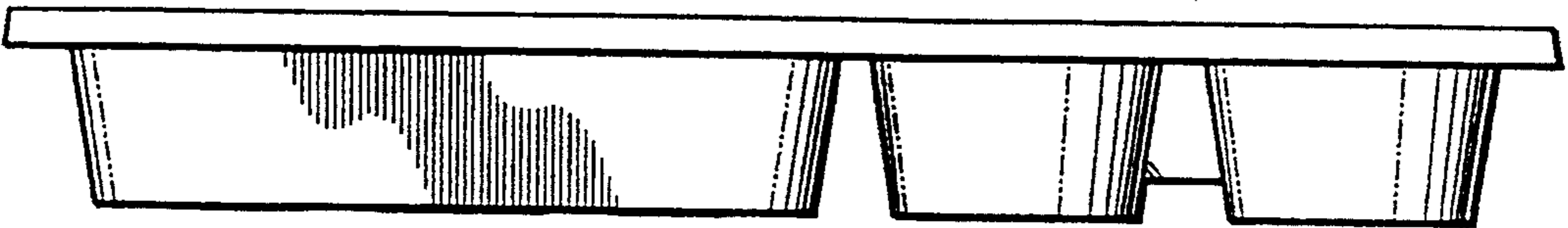


Fig. 26



Fig. 27

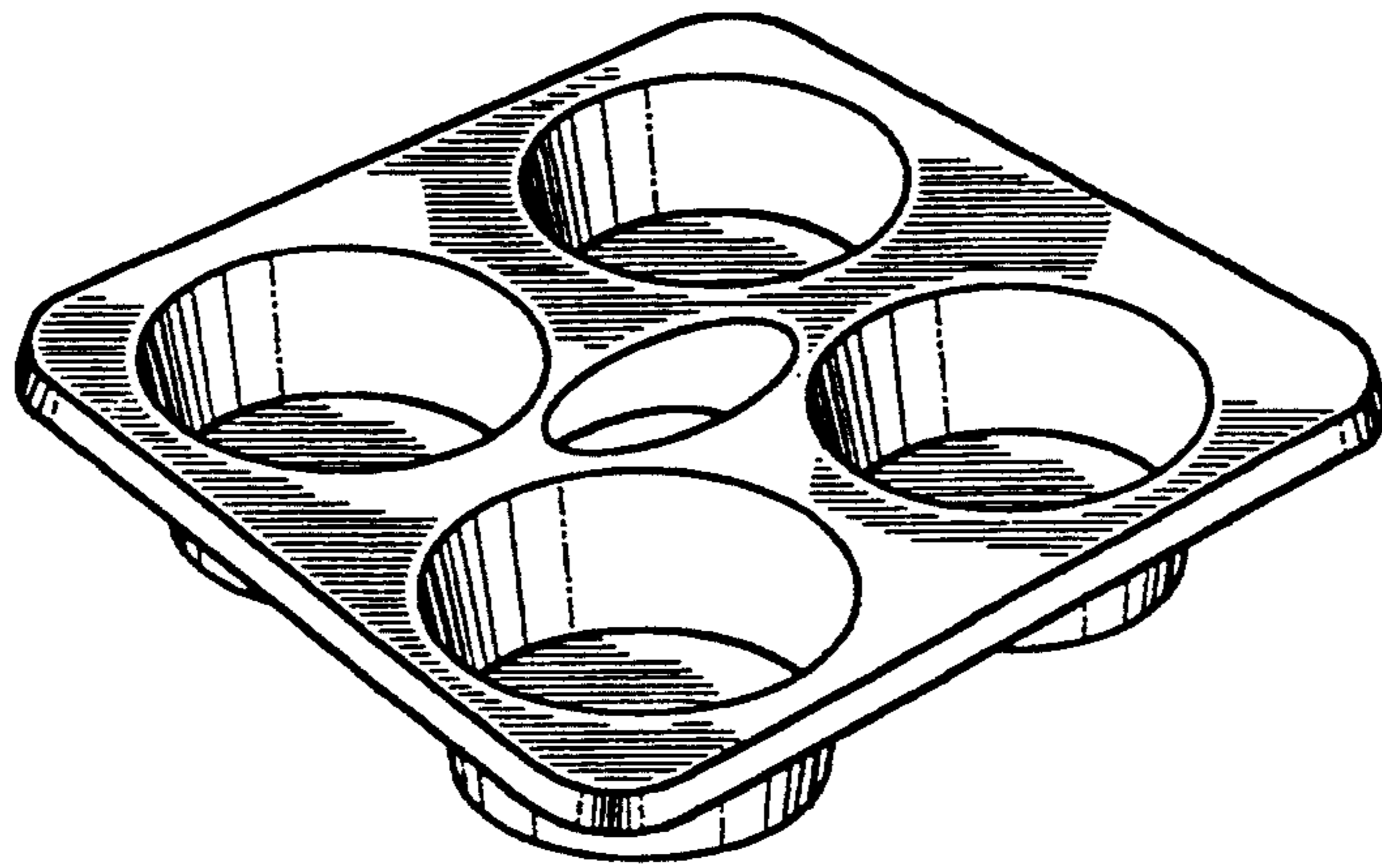


Fig. 28

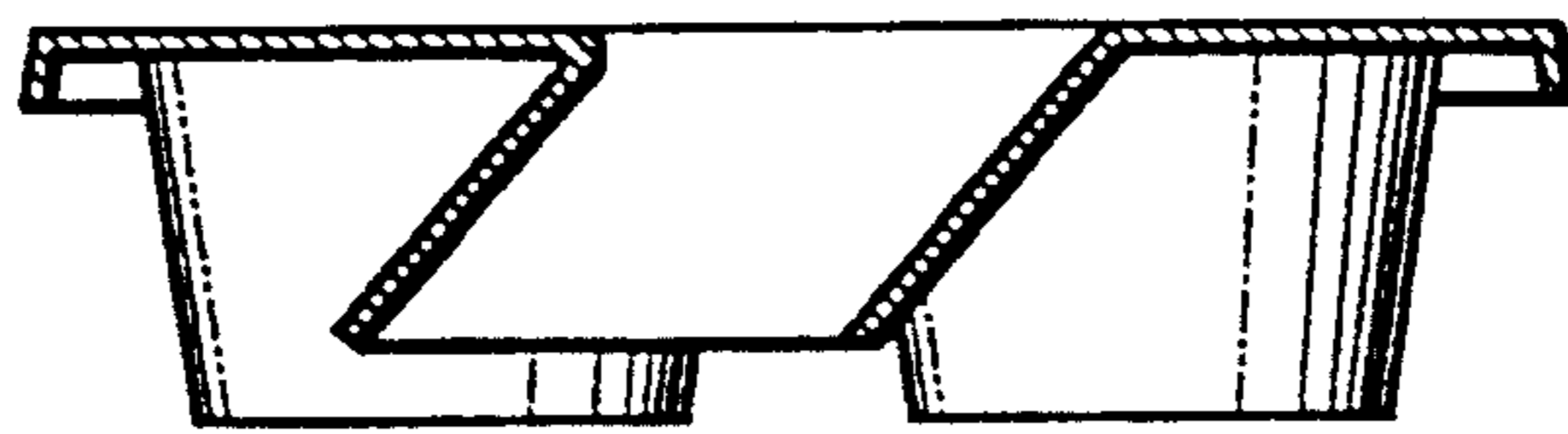


Fig. 29

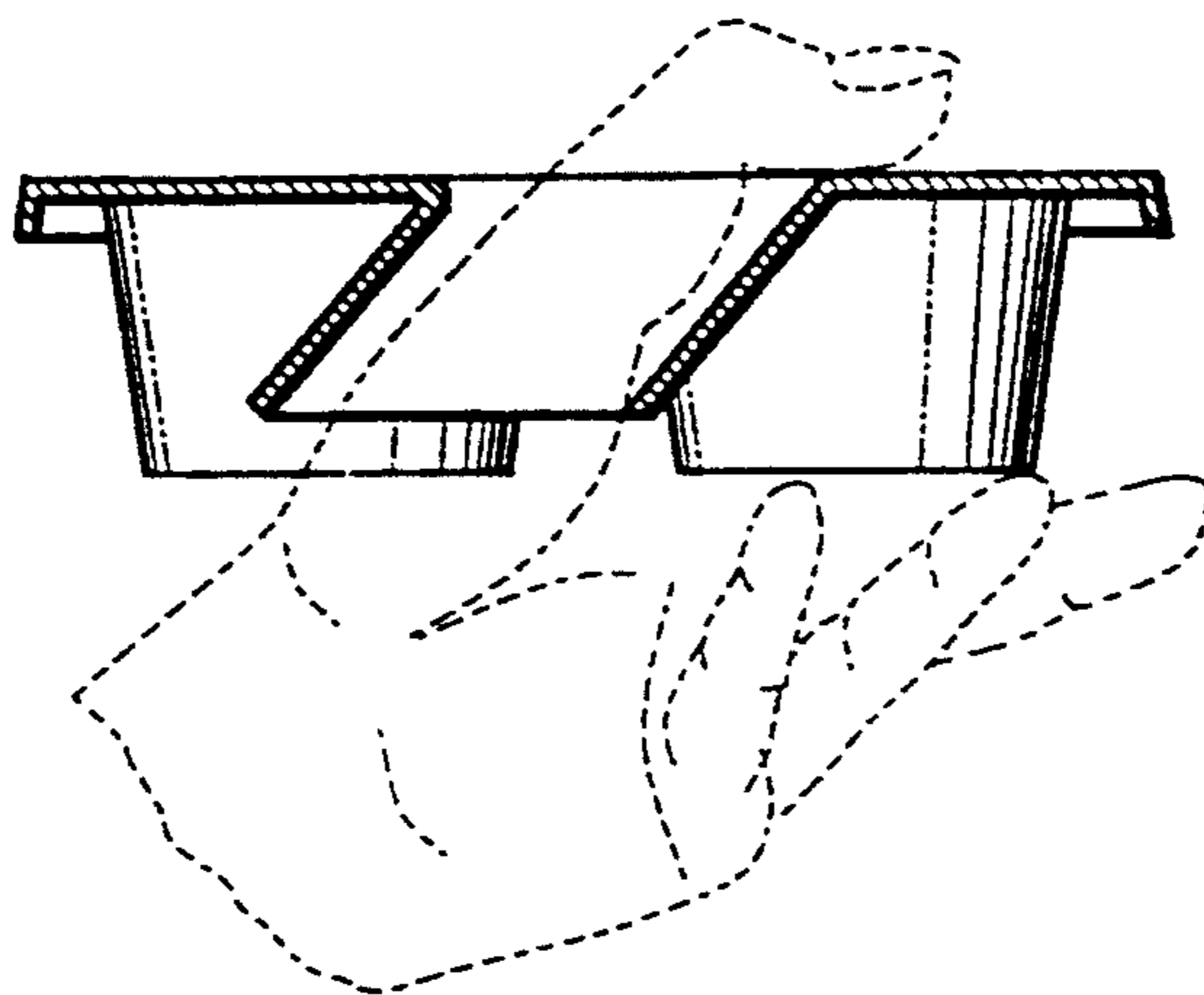


Fig. 30

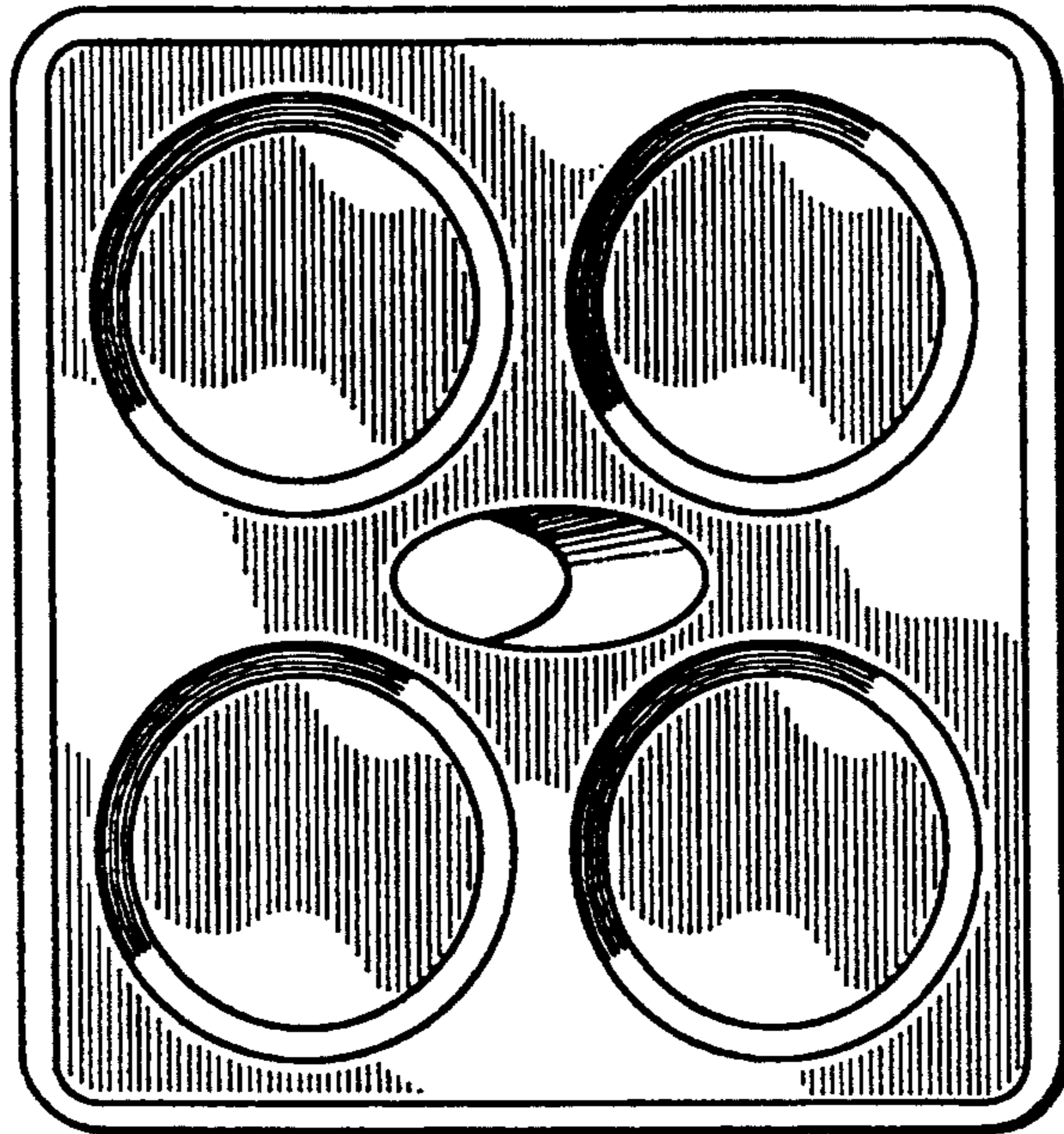


Fig. 31

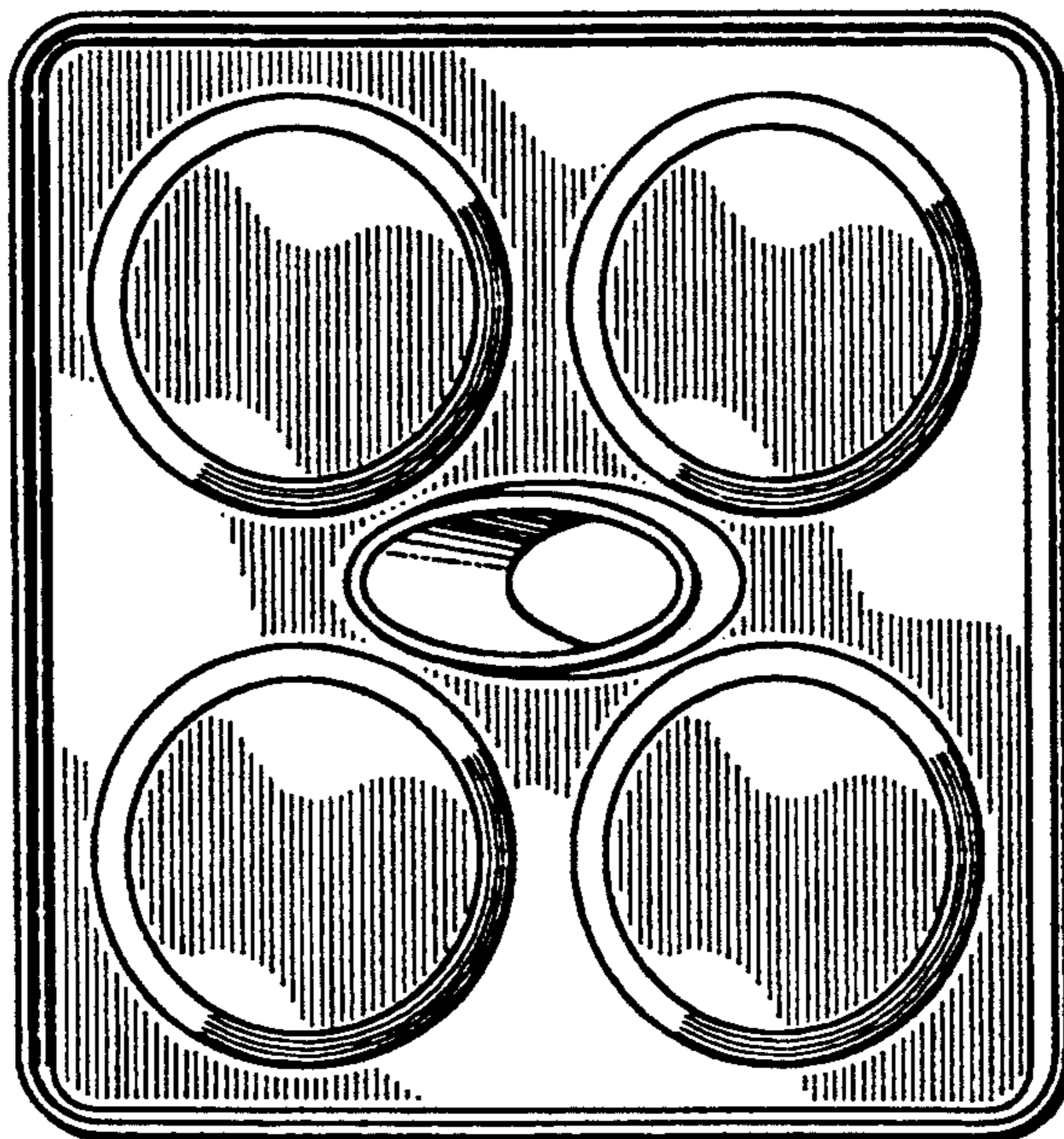


Fig. 32

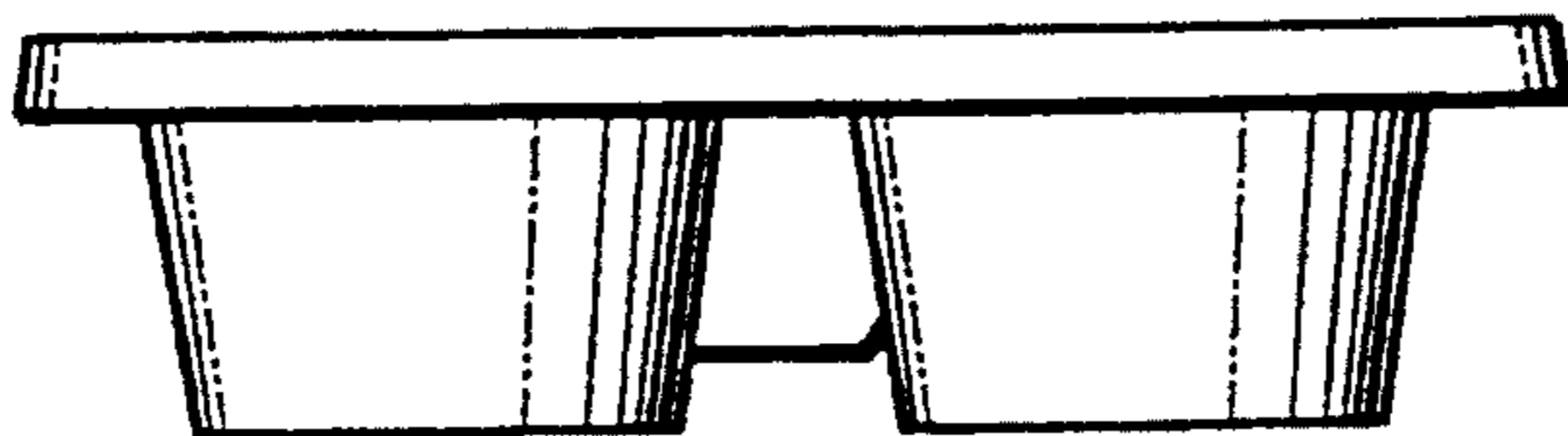


Fig. 33

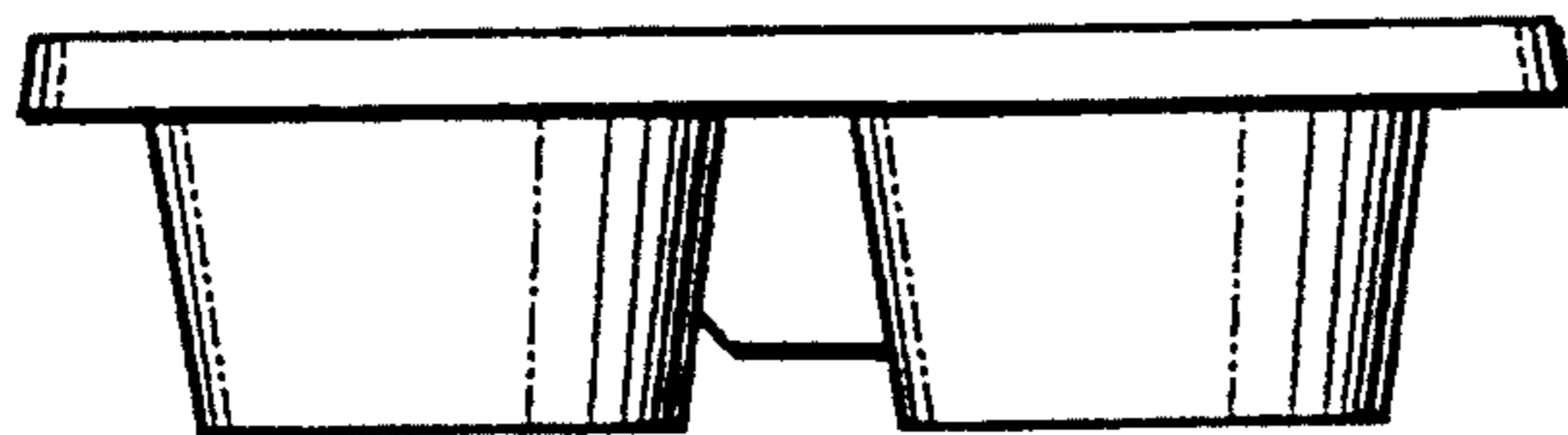


Fig. 34

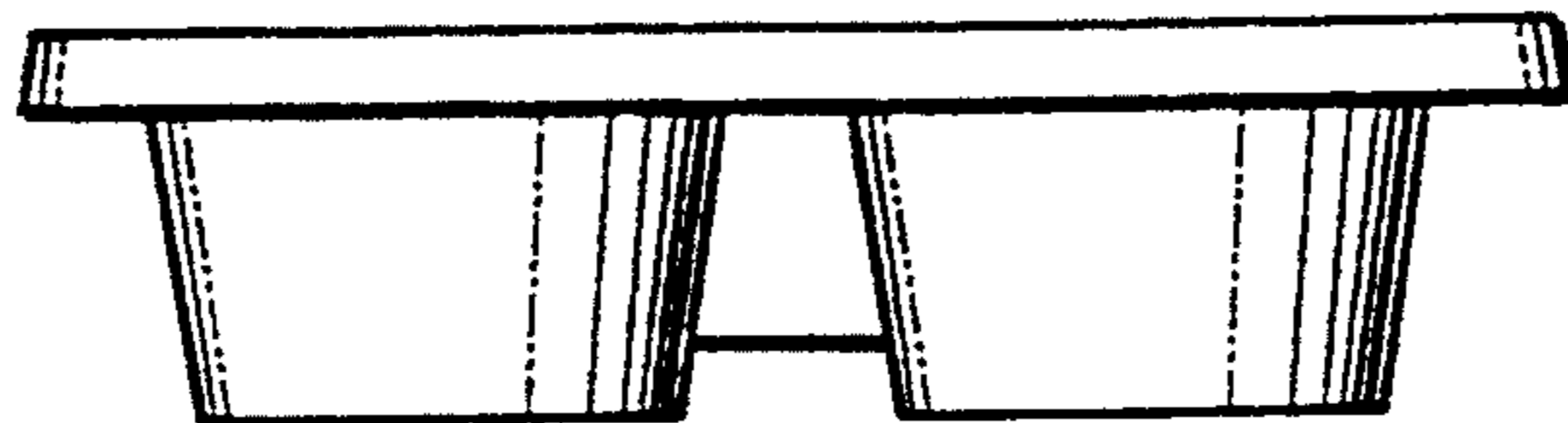


Fig. 35

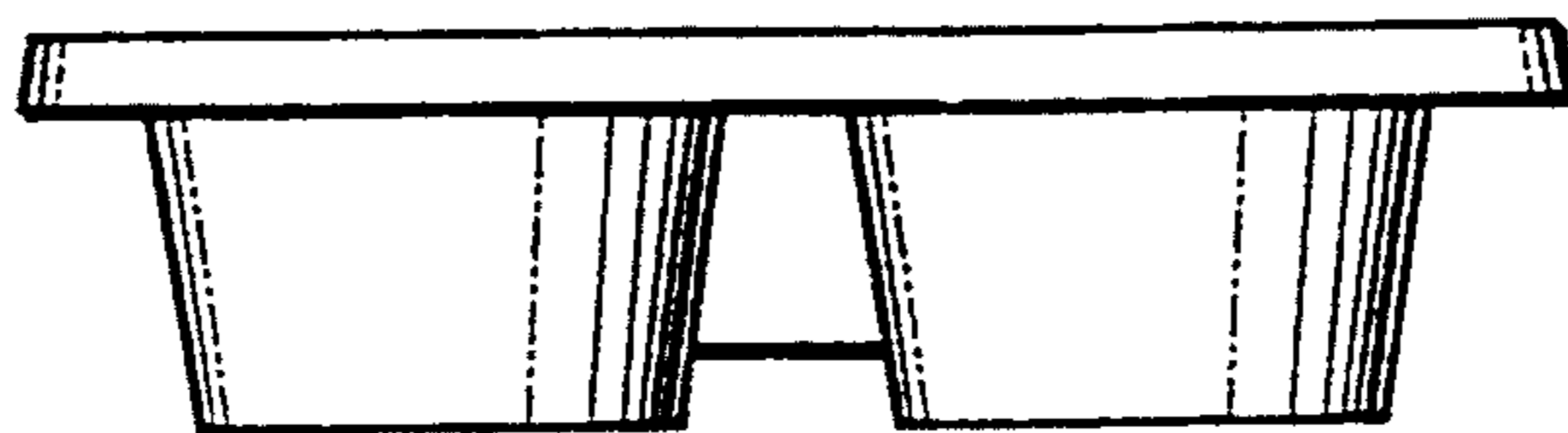


Fig. 36