



US00D349422S

United States Patent [19]

[11] Patent Number: **Des. 349,422**

Kaneko

[45] Date of Patent: **** Aug. 9, 1994**

[54] **KNEADING MACHINE**

[75] Inventor: **Takuji Kaneko**, Daito, Japan

[73] Assignee: **Funai Electric Co., Ltd.**, Daito, Japan

[**] Term: **14 Years**

[21] Appl. No.: **502**

[22] Filed: **Oct. 16, 1992**

[30] **Foreign Application Priority Data**

May 22, 1992 [JP] Japan 4-14681

[52] U.S. Cl. **D7/376; D7/384**

[58] Field of Search **D7/376-378, D7/381, 384, 386, 412; 241/37.5, 92, 93, 101.1, 199.12, 282.1, 282.2**

[56] **References Cited**

U.S. PATENT DOCUMENTS

D. 272,979 3/1984 Akita et al. D7/384

D. 297,901 10/1988 Barrault D7/381 X
5,071,077 12/1991 Arroubi et al. D7/386 X

Primary Examiner—Alan P. Douglas
Assistant Examiner—Caron D. Veynar
Attorney, Agent, or Firm—Lackenbach Siegel Marzullo
Aronson & Greenspan

[57] **CLAIM**

The ornamental design for a kneading machine, as shown.

DESCRIPTION

FIG. 1 is a perspective view of a kneading machine showing my new design;
FIG. 2 is a front elevational view thereof;
FIG. 3 is a rear elevational view thereof;
FIG. 4 is a right side elevational view thereof;
FIG. 5 is a left side elevational view thereof;
FIG. 6 is a top plan view thereof; and,
FIG. 7 is a bottom plan view thereof.

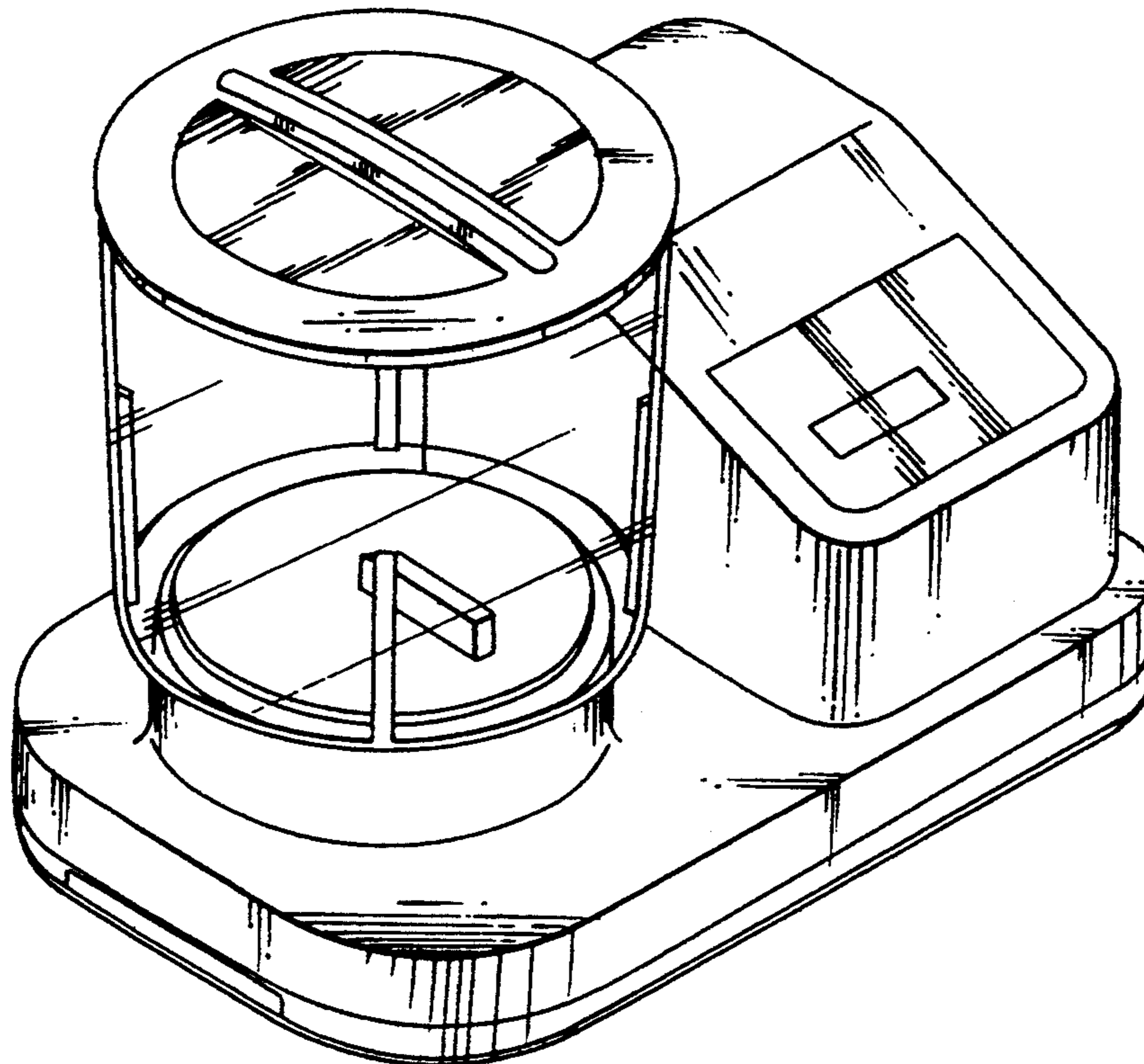


FIG. 1

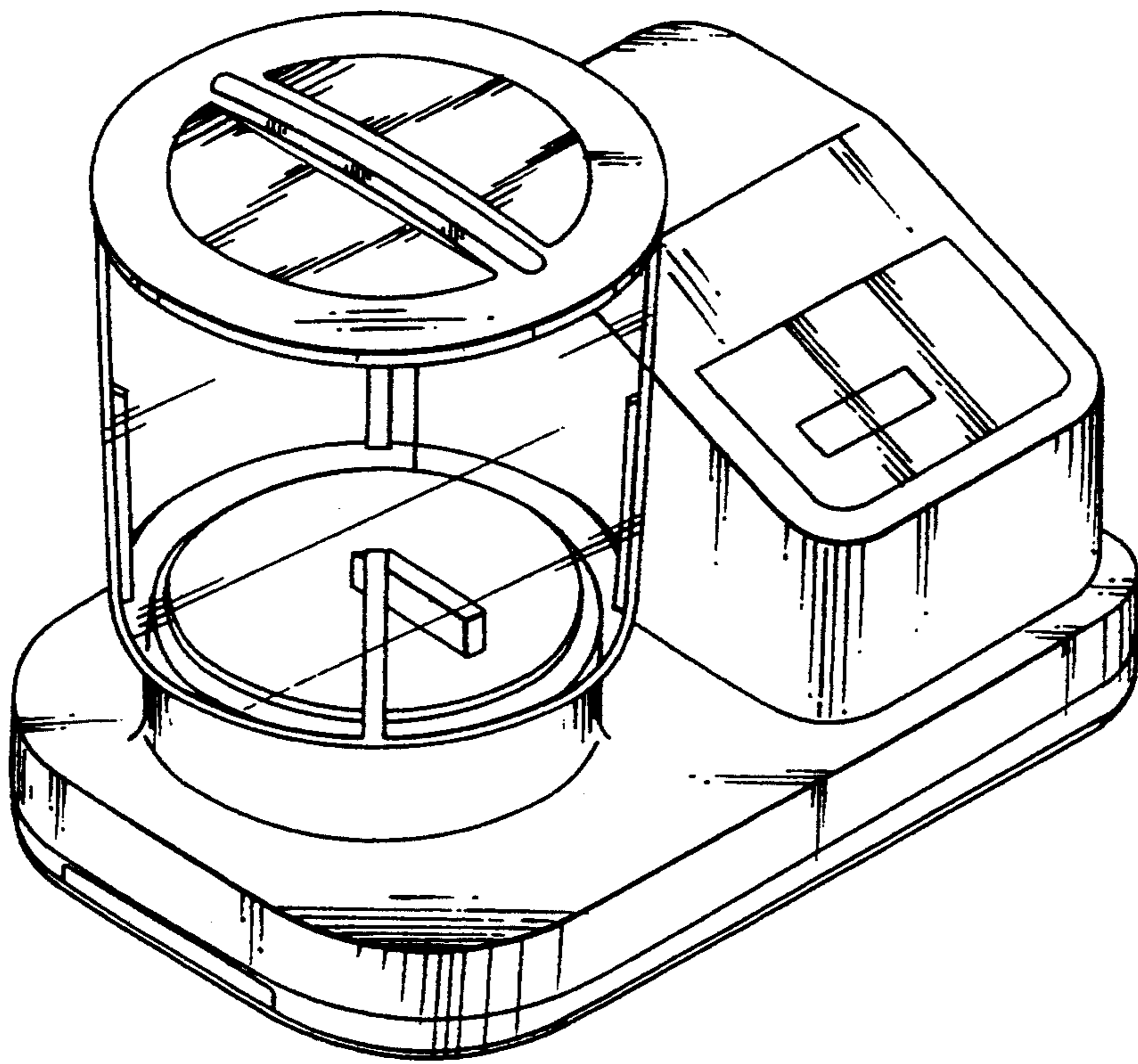


FIG. 2

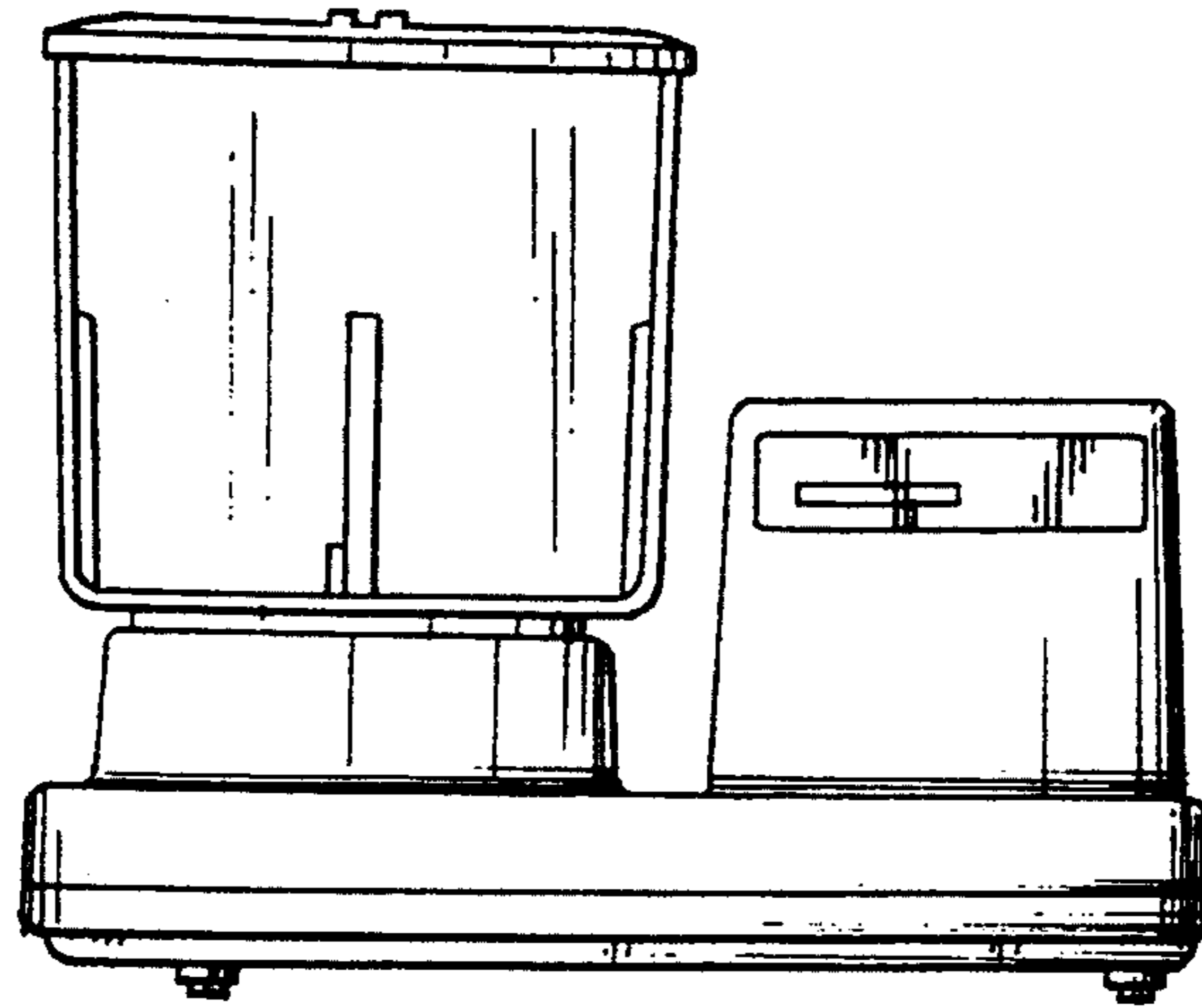


FIG. 3

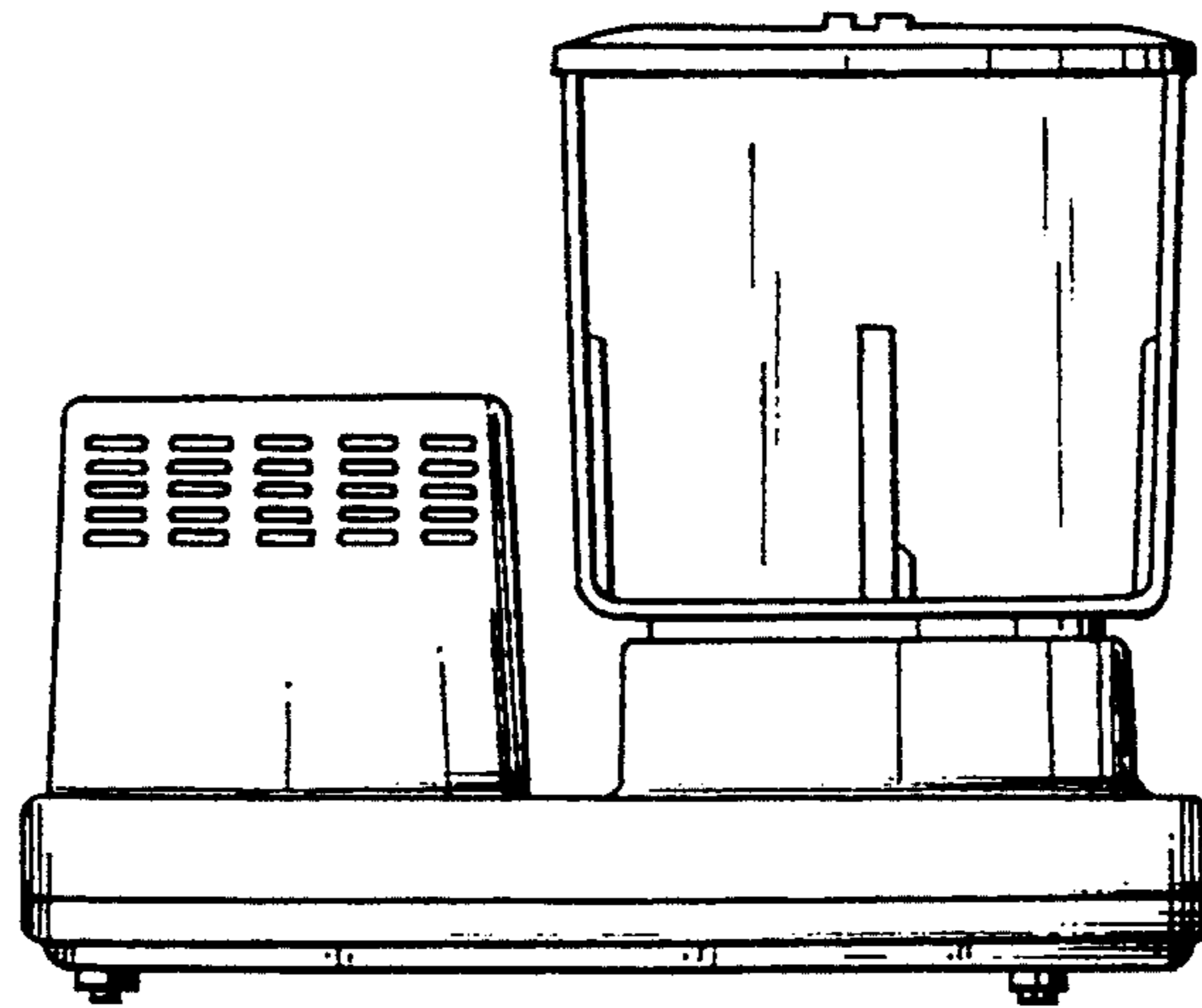


FIG. 4

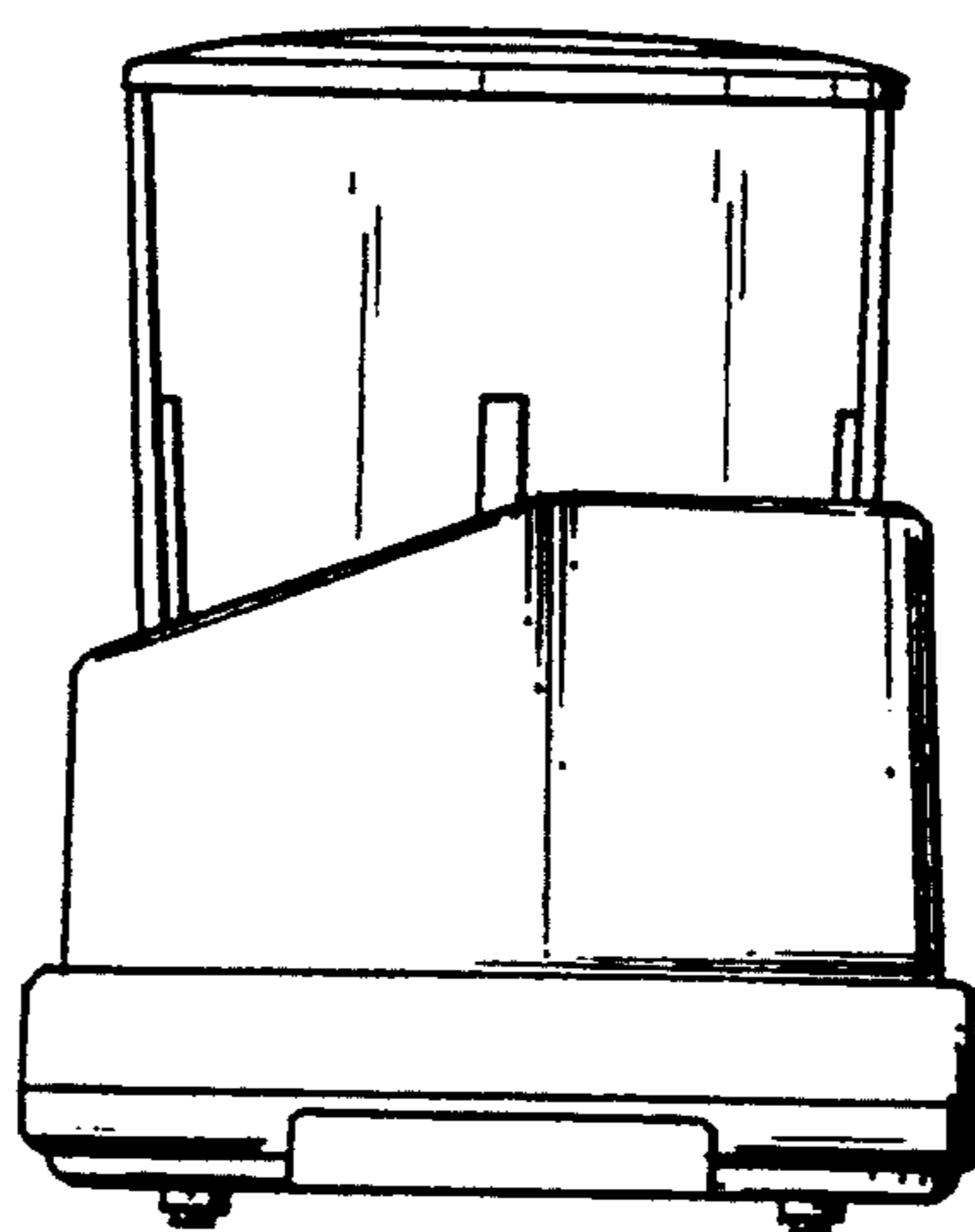


FIG. 5

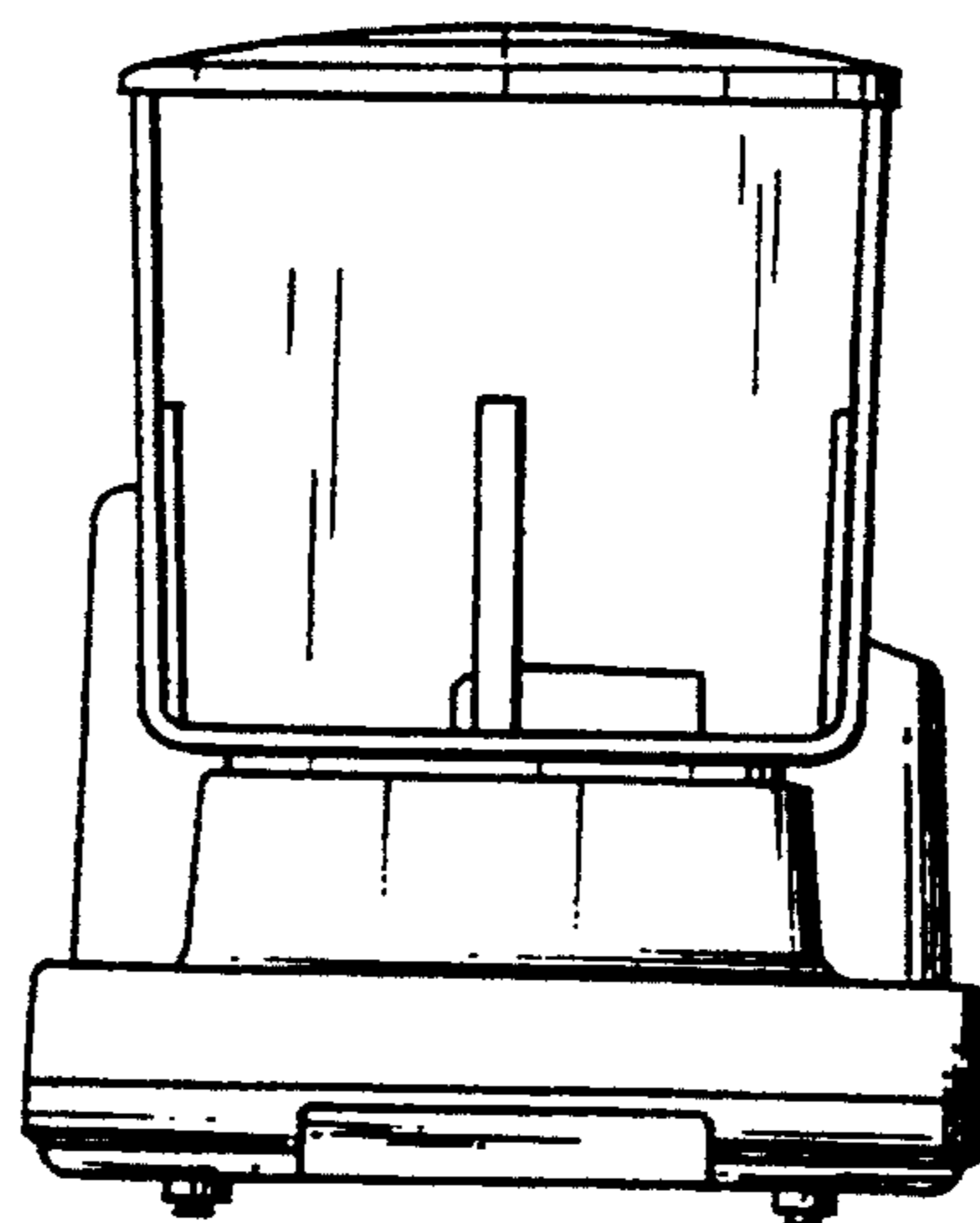


FIG. 6

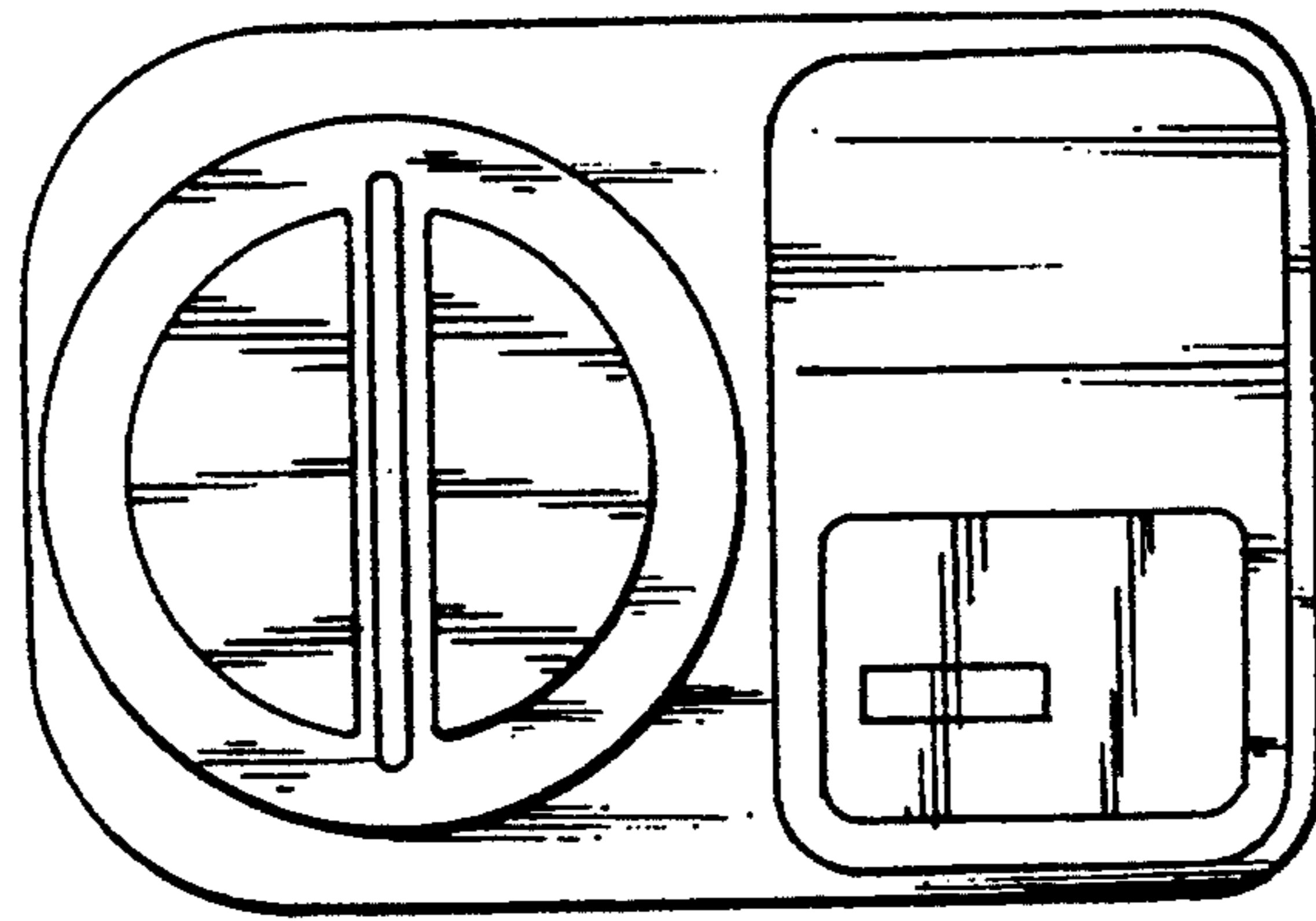


FIG. 7

