



US00D349420S

United States Patent [19]

[11] Patent Number: **Des. 349,420**

Hasuike

[45] Date of Patent: **** Aug. 9, 1994**

[54] SET OF COOKWARE

[75] Inventor: **Makio Hasuike**, Milan, Italy

[73] Assignee: **WMF Wuerttembergische Metallwarenfabrik Aktiengesellschaft**, Geislingen, Fed. Rep. of Germany

[**] Term: **14 Years**

[21] Appl. No.: **778,692**

[22] Filed: **Oct. 16, 1991**

[30] Foreign Application Priority Data

Apr. 19, 1991 [XH] Hague DM/019659

[52] U.S. Cl. D7/360; D7/354; D7/356

[58] Field of Search D7/323, 354, 356, 358, D7/360, 361, 409, 667; 99/324, 325, 339, 345, 425, 426, 439

[56] References Cited

U.S. PATENT DOCUMENTS

D. 102,954 1/1937 Nelson D7/360

D. 136,263 8/1943 Vischer D7/358

211,202 1/1879 Whitney et al. 126/369

OTHER PUBLICATIONS

Mirror Catalog #118; 1941; p. 24; Do-All Roaster.
 Korean #C5-410 (3 pages) Aug. 24, 1990.
 Korean #C5-4110 (1 page) Oct. 15, 1990.
 Korean #57321 (1 page) Jul. 30, 1985.

Primary Examiner—Alan P. Douglas
Assistant Examiner—Caron D. Veynar
Attorney, Agent, or Firm—Flynn, Thiel, Boutell & Tanis

[57] CLAIM

The ornamental design for a set of cookware, as shown and described.

DESCRIPTION

FIG. 1 is a top and front perspective view of a set of cookware showing my new design, the rear view being a mirror image thereof;

FIG. 2 is a left side elevational view thereof, the right side elevational view being a mirror image thereof;

FIG. 3 is a top plan view thereof;

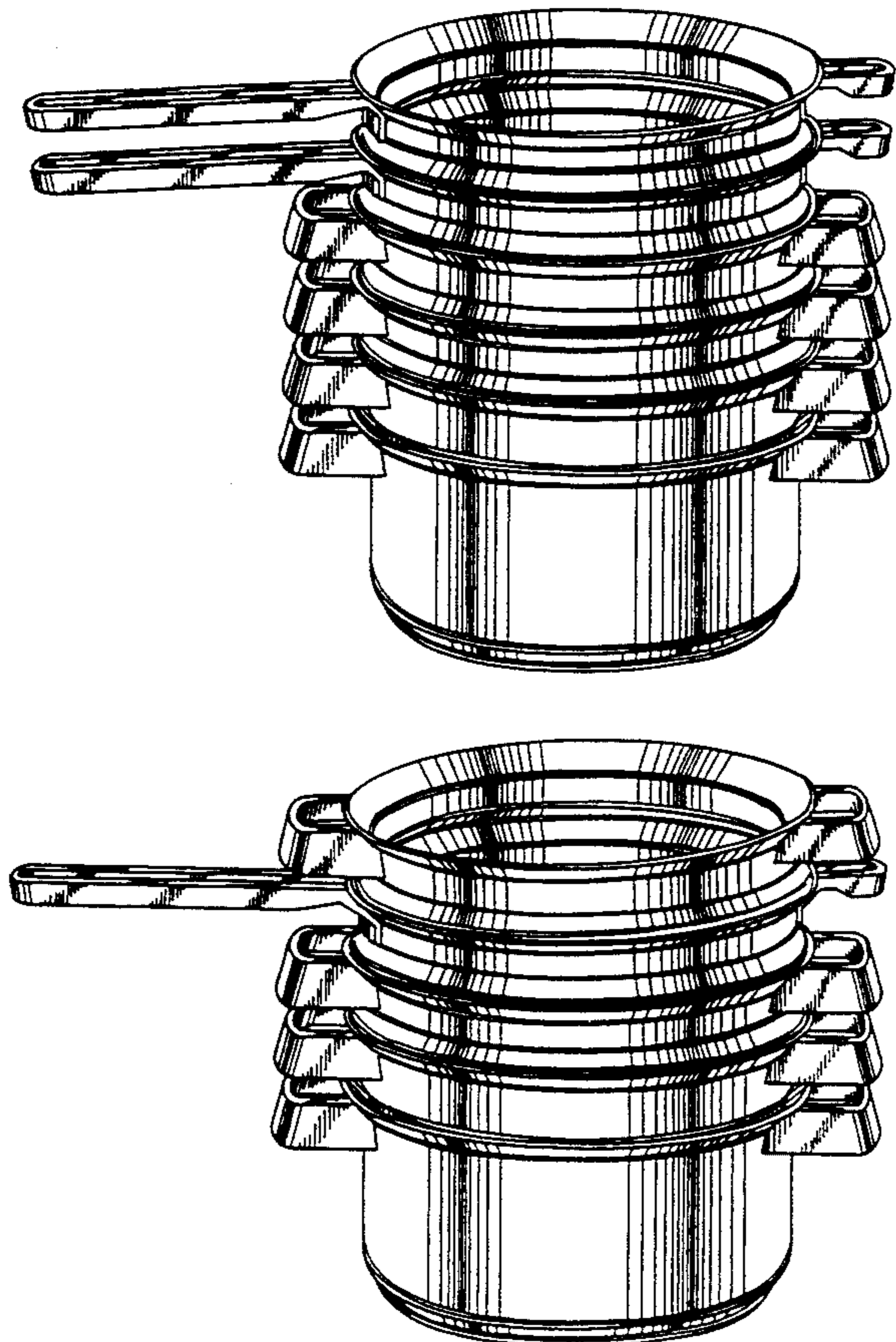
FIG. 4 is a bottom plan view thereof;

FIG. 5 is a top and front perspective view of a second embodiment of my new design of FIGS. 1-4, the rear view being a mirror image thereof;

FIG. 6 is a left side elevational view thereof, the right side elevational view being a mirror image thereof;

FIG. 7 is a top plan view thereof; and,

FIG. 8 is a bottom plan view thereof.



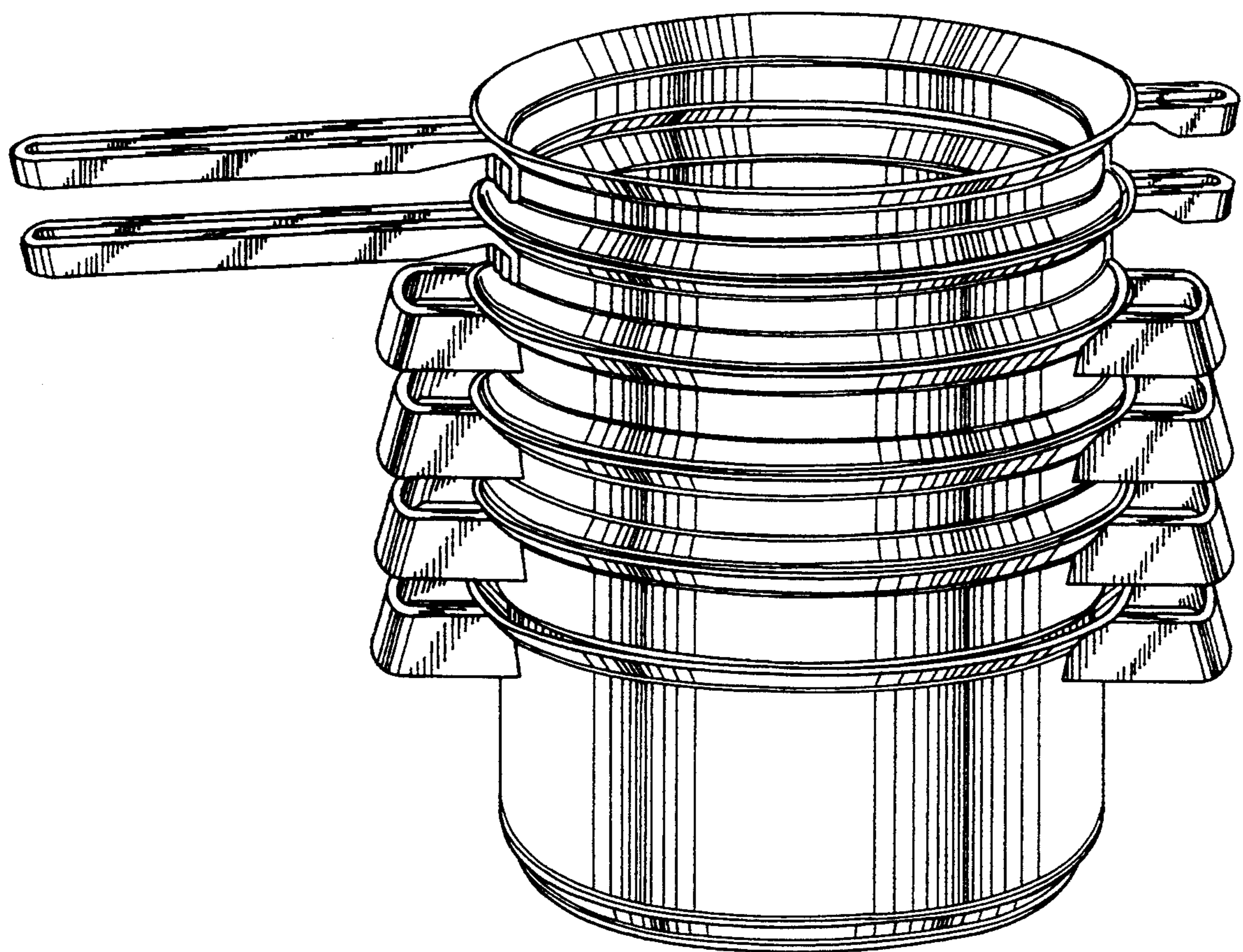


FIG. 1

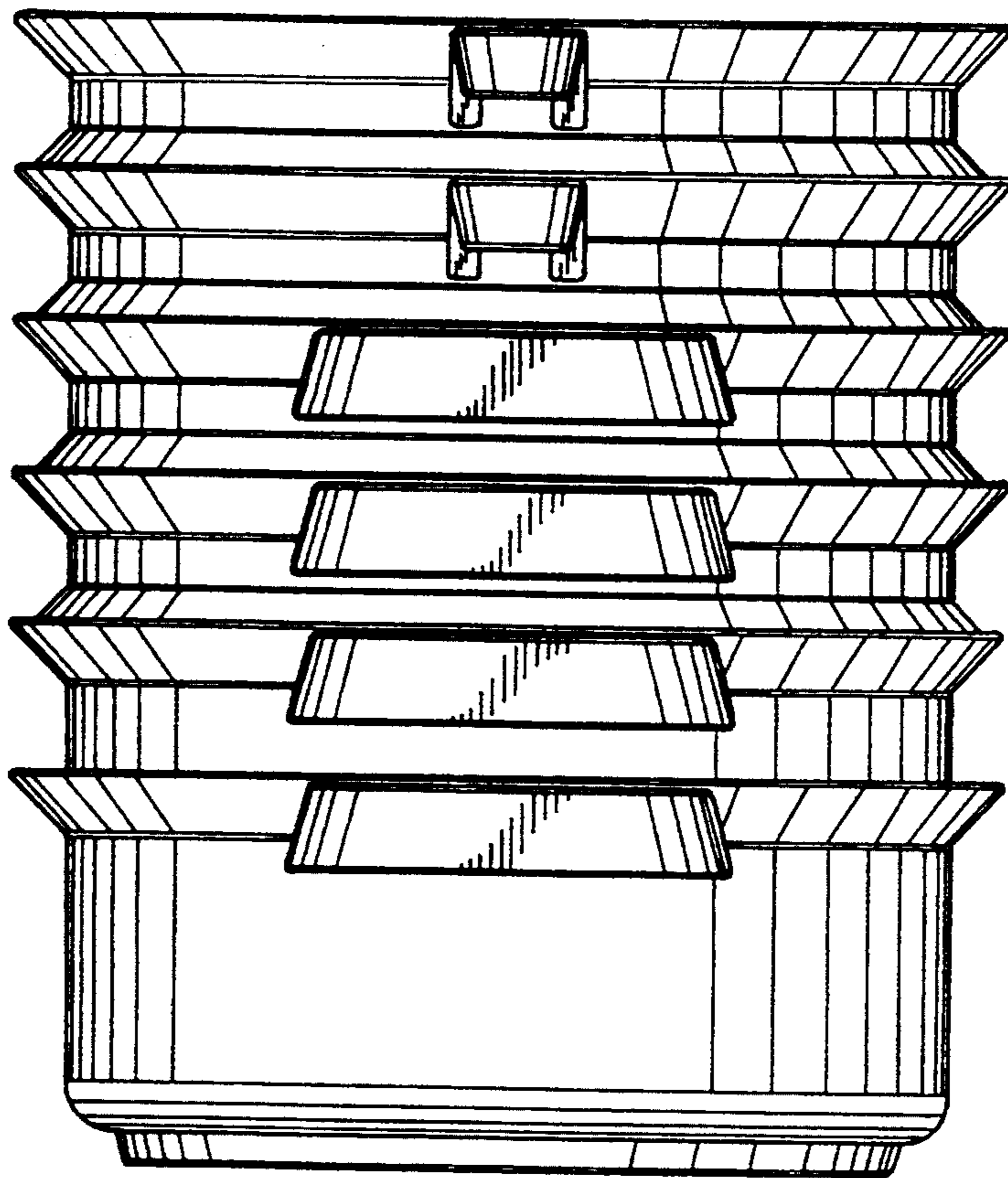


FIG. 2

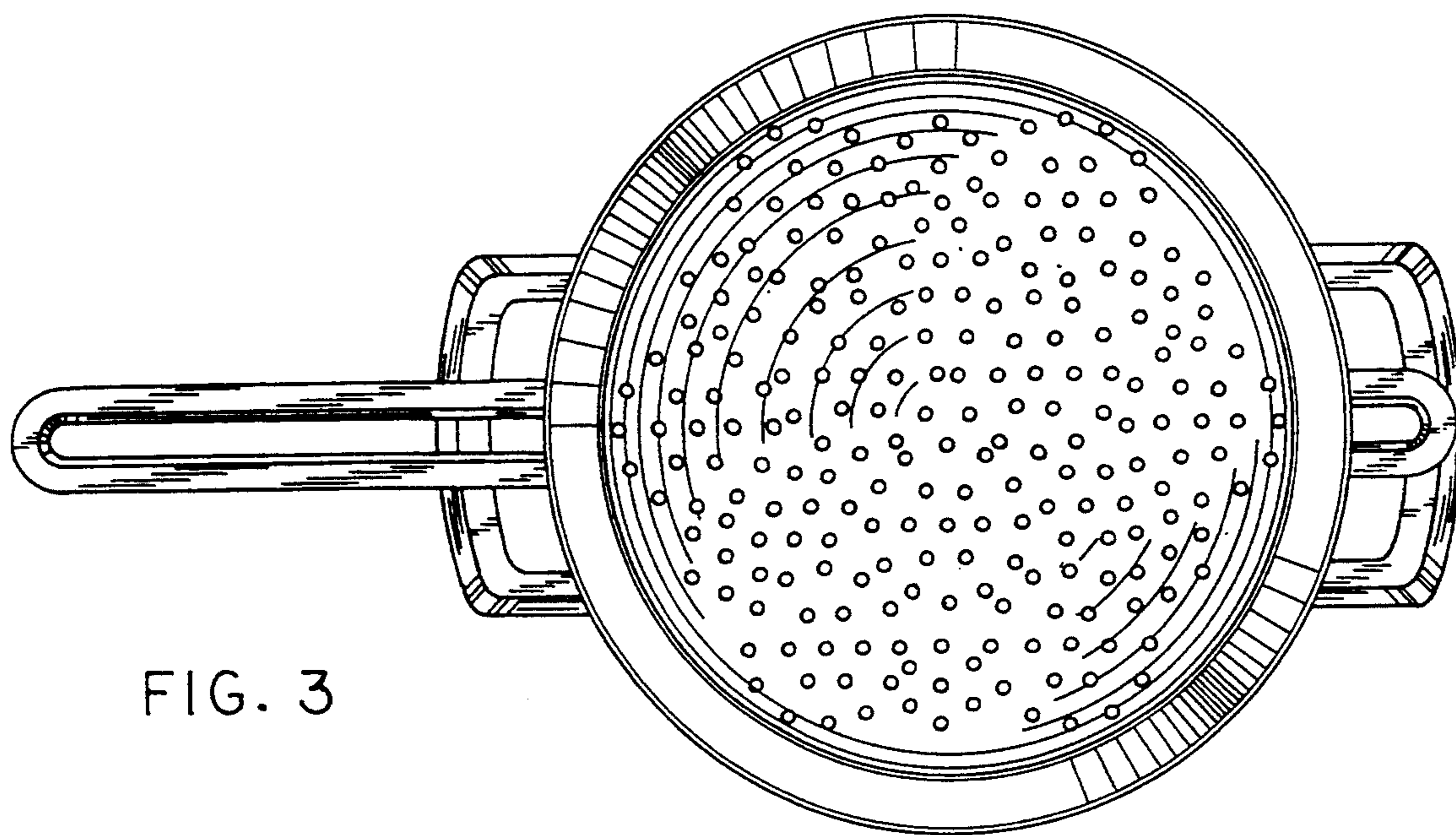


FIG. 3

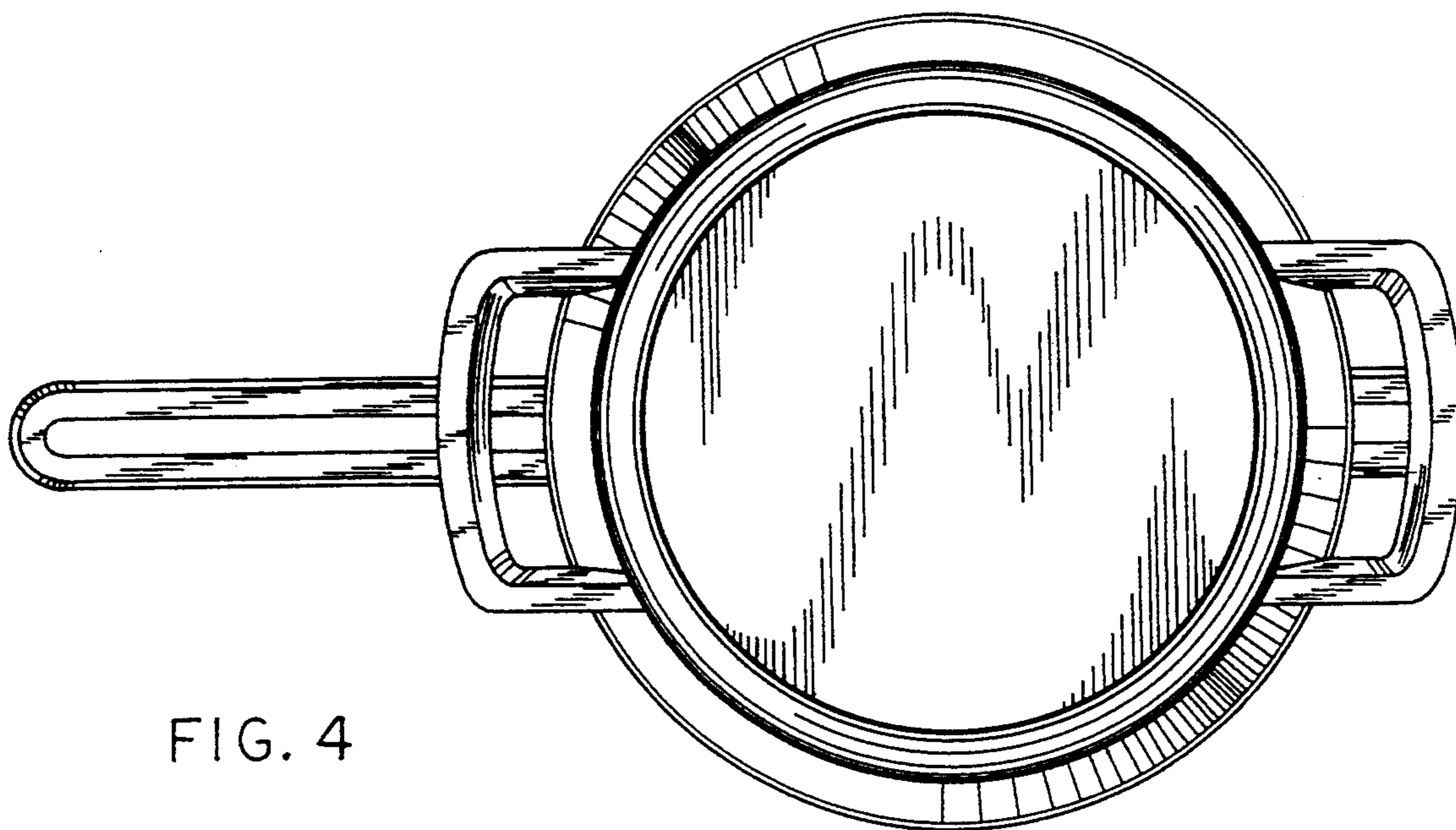


FIG. 4

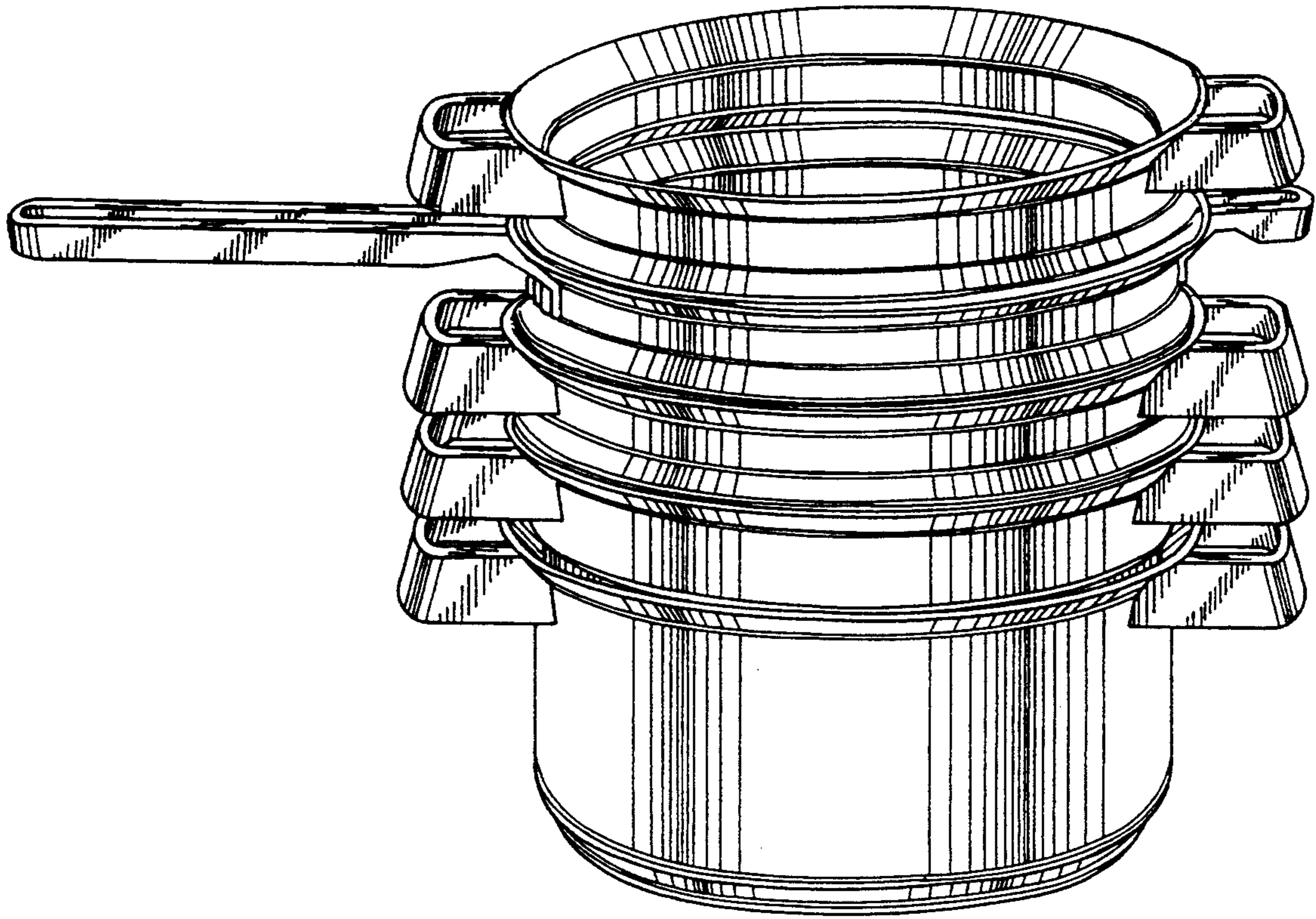


FIG. 5

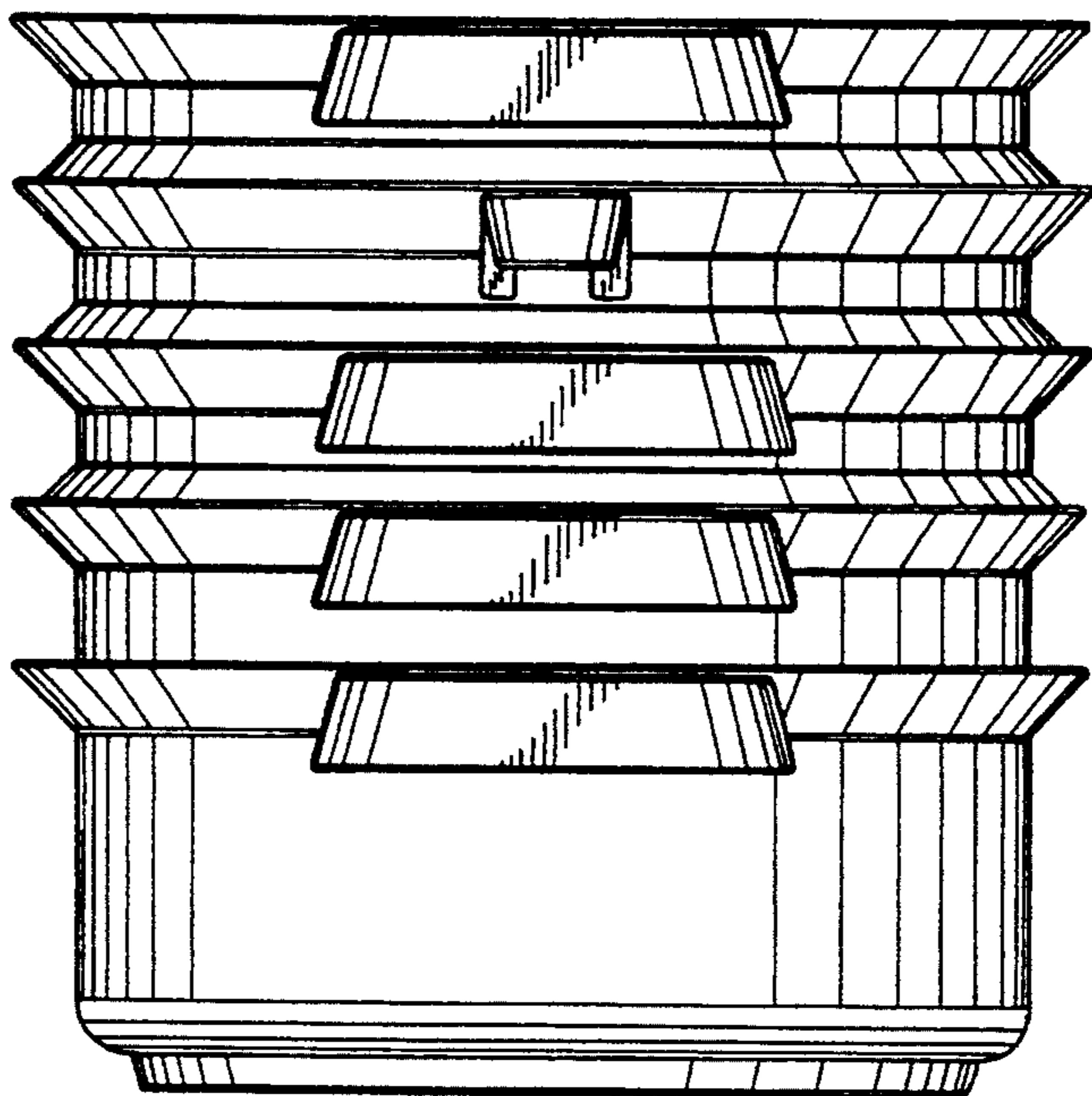


FIG. 6

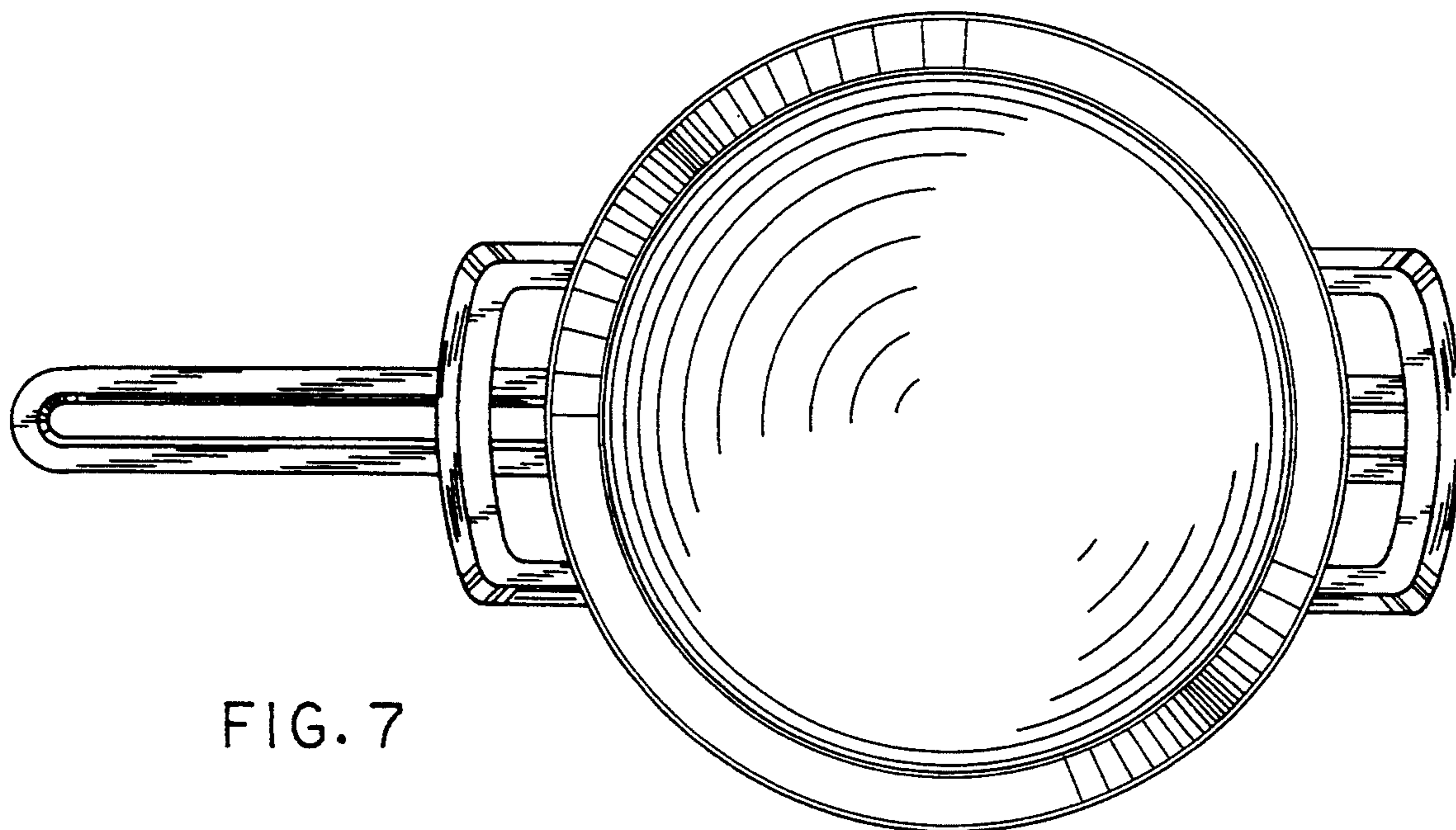


FIG. 7

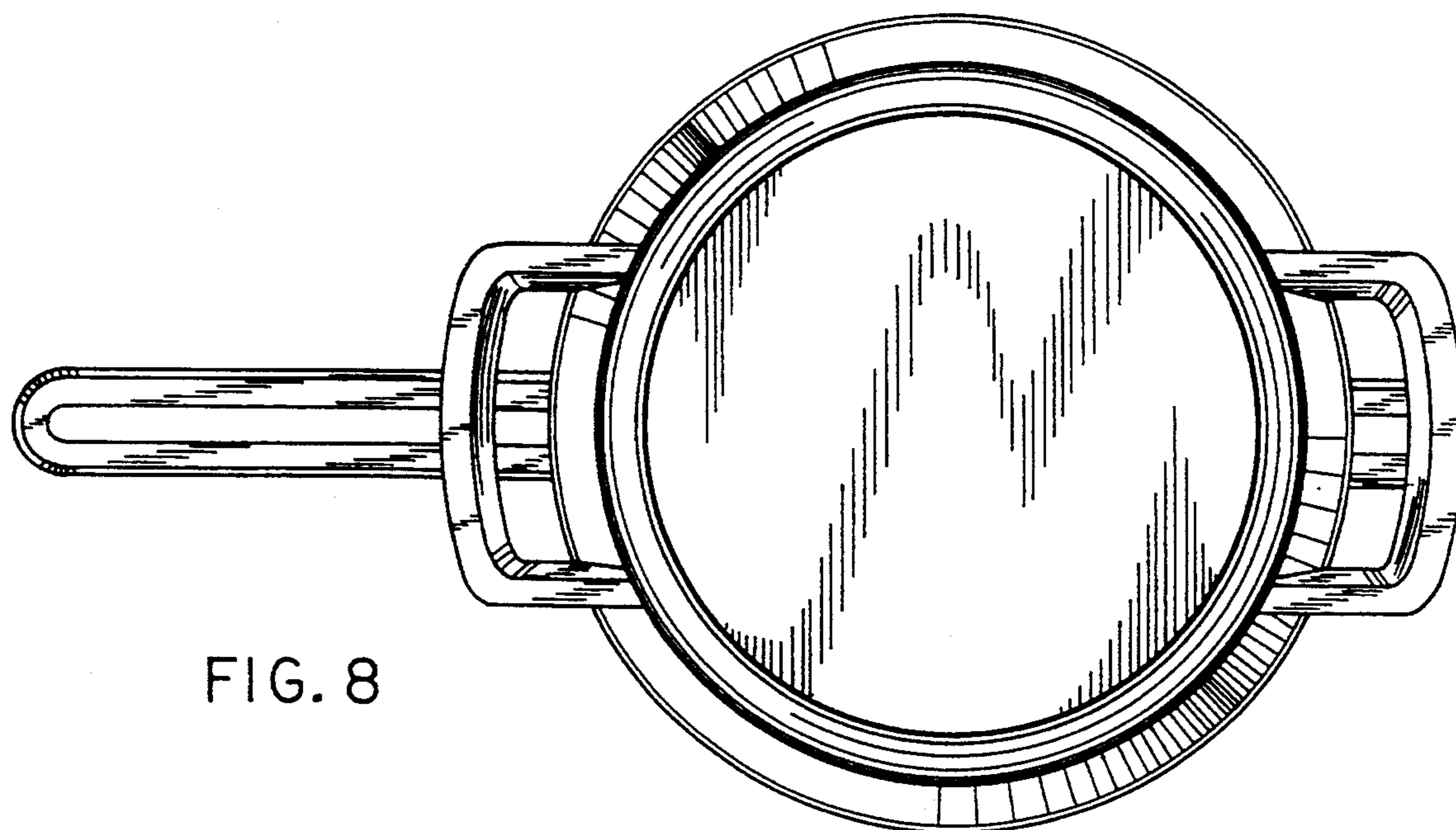


FIG. 8