



US00D349417S

United States Patent [19]

[11] Patent Number: **Des. 349,417**

Malmborg et al.

[45] Date of Patent: **** Aug. 9, 1994**

[54] **WATER COOLER**

[75] Inventors: **Richard D. Malmborg**, San Ramon;
Robert J. Hodan, San Francisco; **Jay L. Flom**, Albany, all of Calif.

[73] Assignee: **The Clorox Company**, Oakland, Calif.

[**] Term: **14 Years**

[21] Appl. No.: **855**

[22] Filed: **Oct. 27, 1992**

[52] U.S. Cl. **D7/306; D7/300**

[58] Field of Search **D7/305, 306, 307, 309, D7/310, 300, 308, 311; D6/449, 470, 432; 222/185, 340; D9/516; D20/10**

[56] **References Cited**

U.S. PATENT DOCUMENTS

- D. 198,597 7/1964 Gran D7/306 X
- D. 214,234 5/1969 Rimini D7/311
- D. 282,617 2/1986 Hogan D7/308 X
- D. 318,395 7/1991 Juergens D7/311
- D. 323,443 1/1992 Rankin et al. D7/300

- D. 341,514 11/1993 McGinnis D7/306 X
- D. 343,545 1/1974 Billet D7/300 X
- 4,889,261 12/1989 Conrad D7/305 X

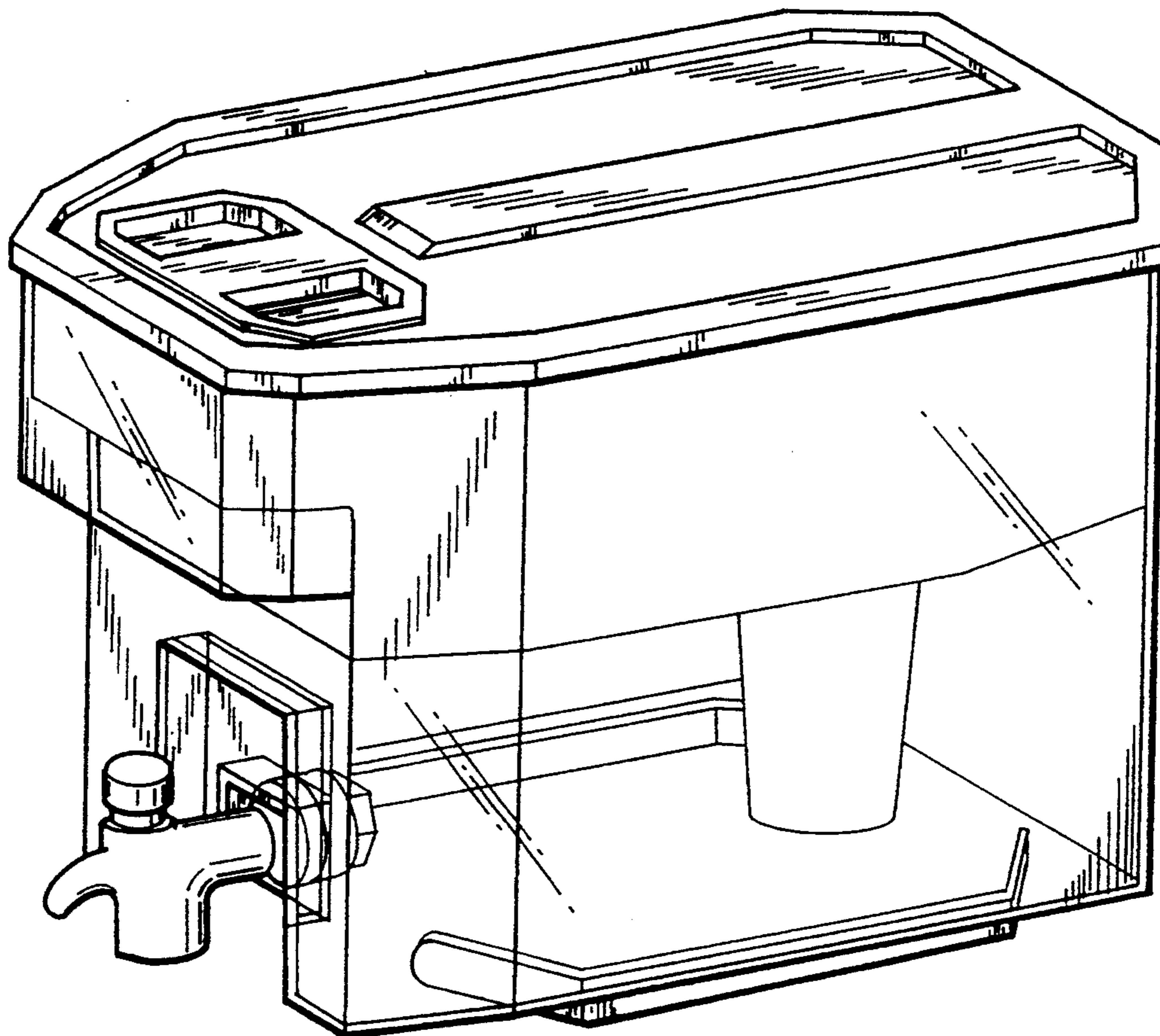
Primary Examiner—Alan P. Douglas
Assistant Examiner—Marianne N. Pandozzi
Attorney, Agent, or Firm—Michael J. Mazza

[57] **CLAIM**

The ornamental design for a water cooler, as shown and described.

DESCRIPTION

FIG. 1 is a perspective view of a water cooler embodying our new design;
 FIG. 2 is a front elevational view of the water cooler of FIG. 1;
 FIG. 3 is a back elevational view of the water cooler of FIG. 1;
 FIG. 4 is a side elevational view of the water cooler of FIG. 1;
 FIG. 5 is a top plan view of the water cooler of FIG. 1; and,
 FIG. 6 is a bottom plan view of the water cooler of FIG. 1.



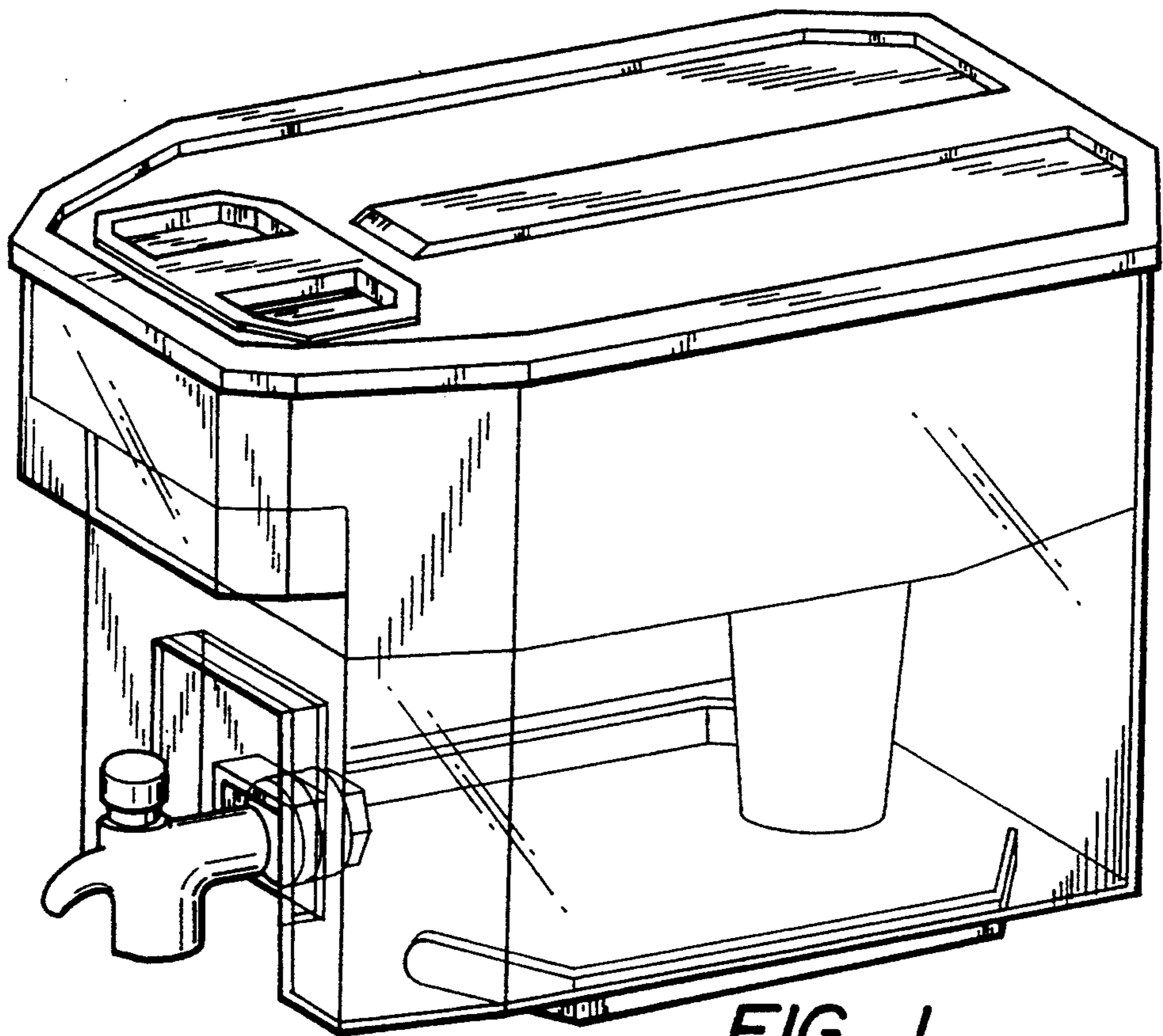


FIG. 1

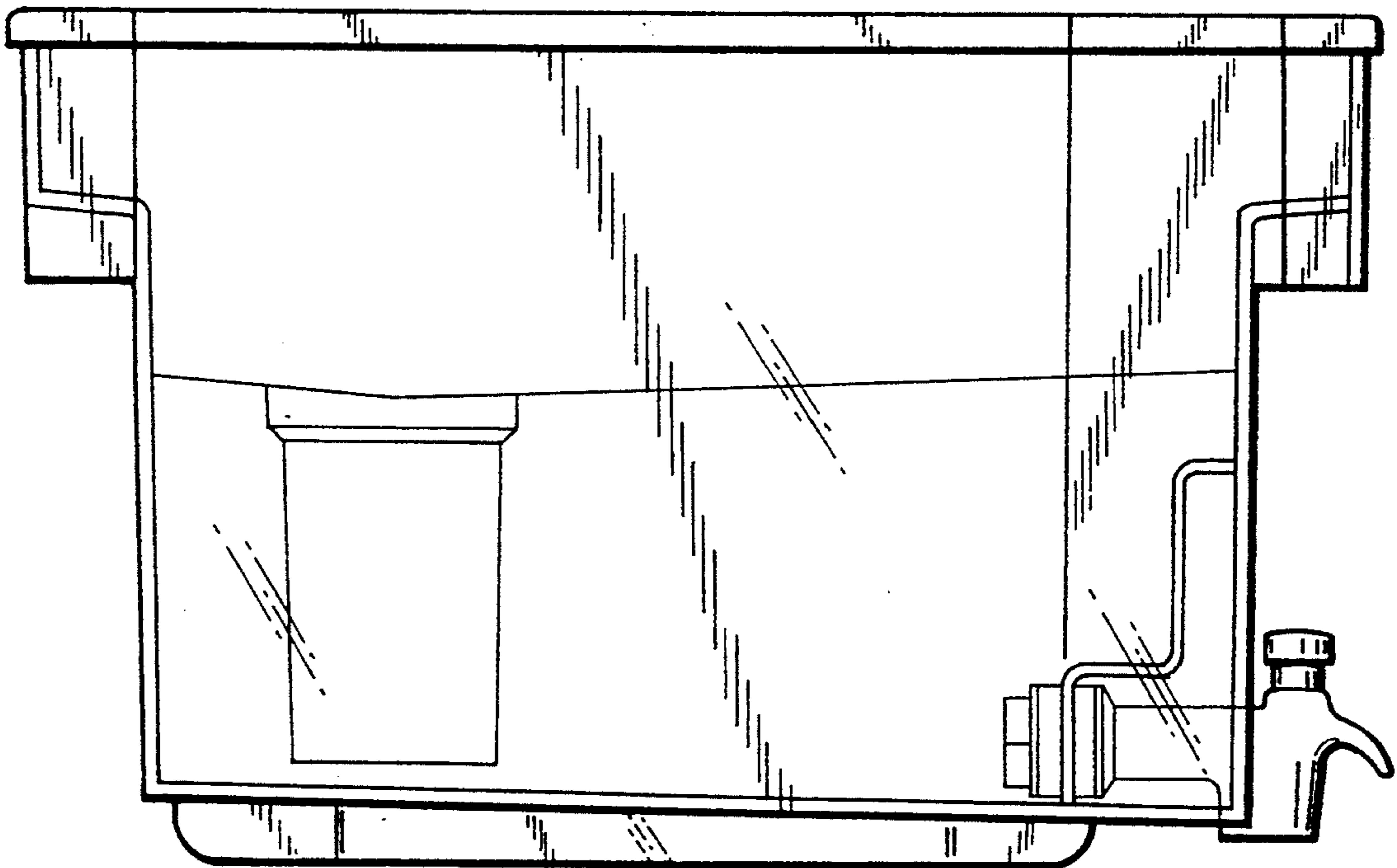


FIG. 4

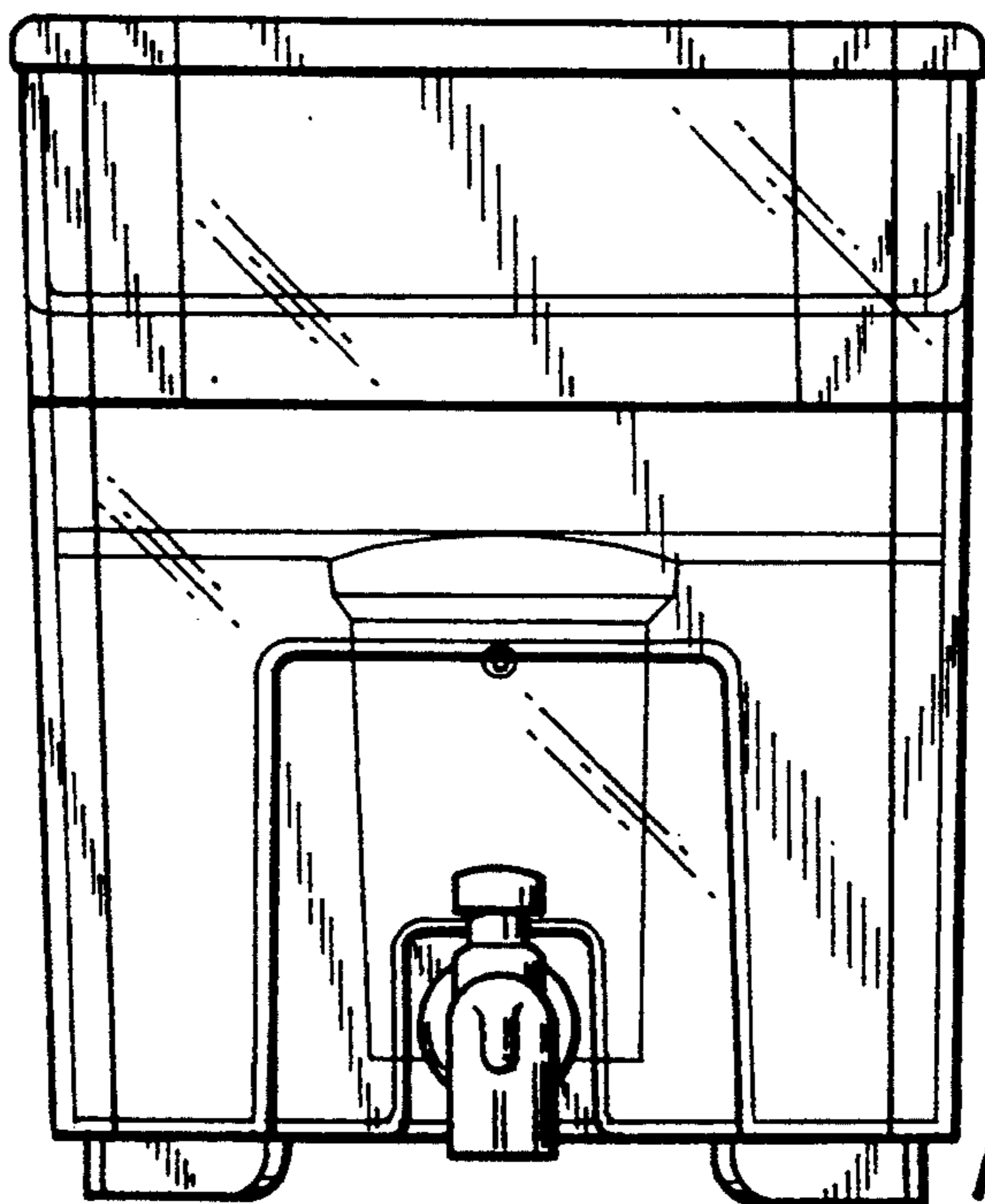


FIG. 2

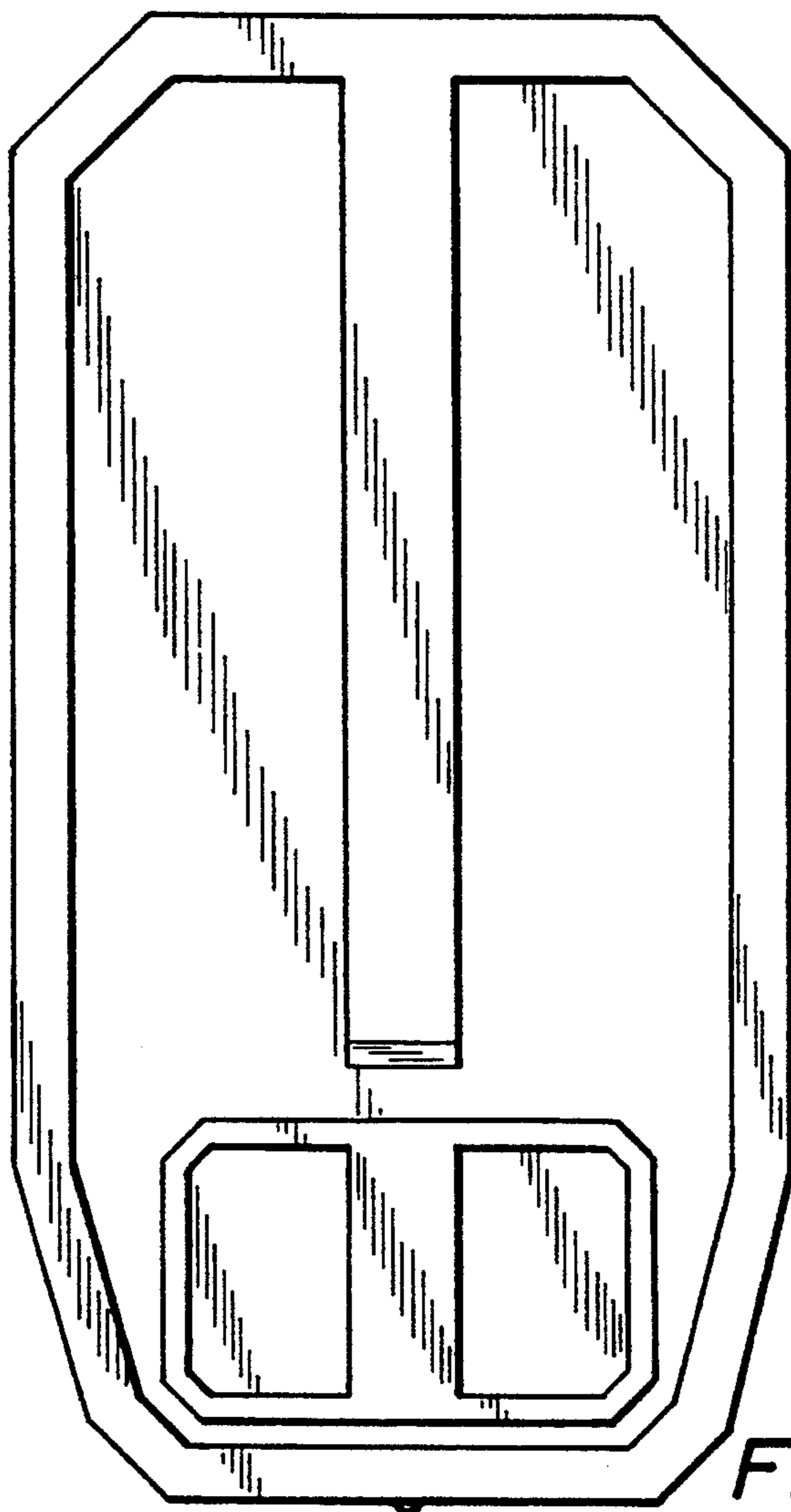


FIG. 5

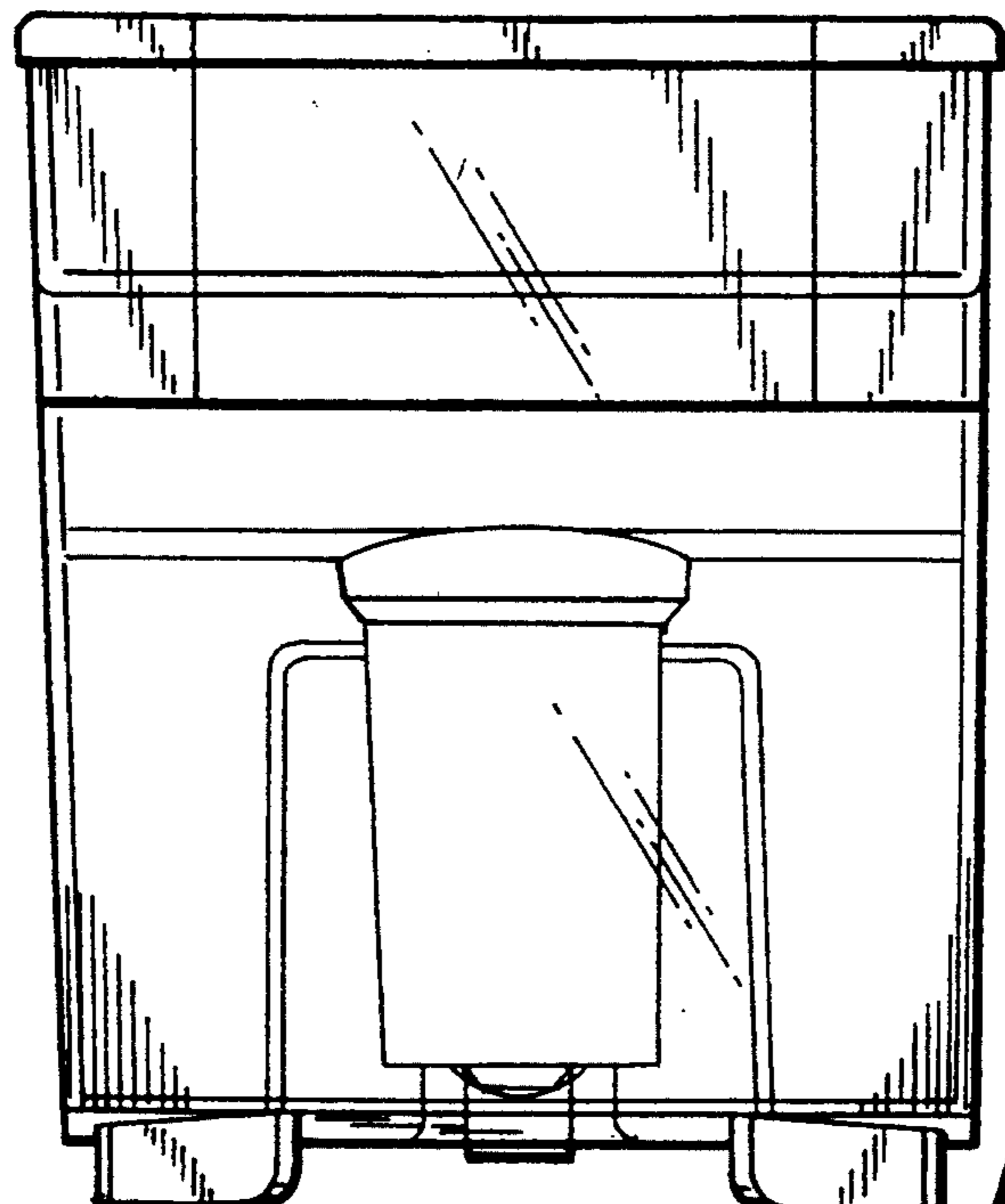


FIG. 3

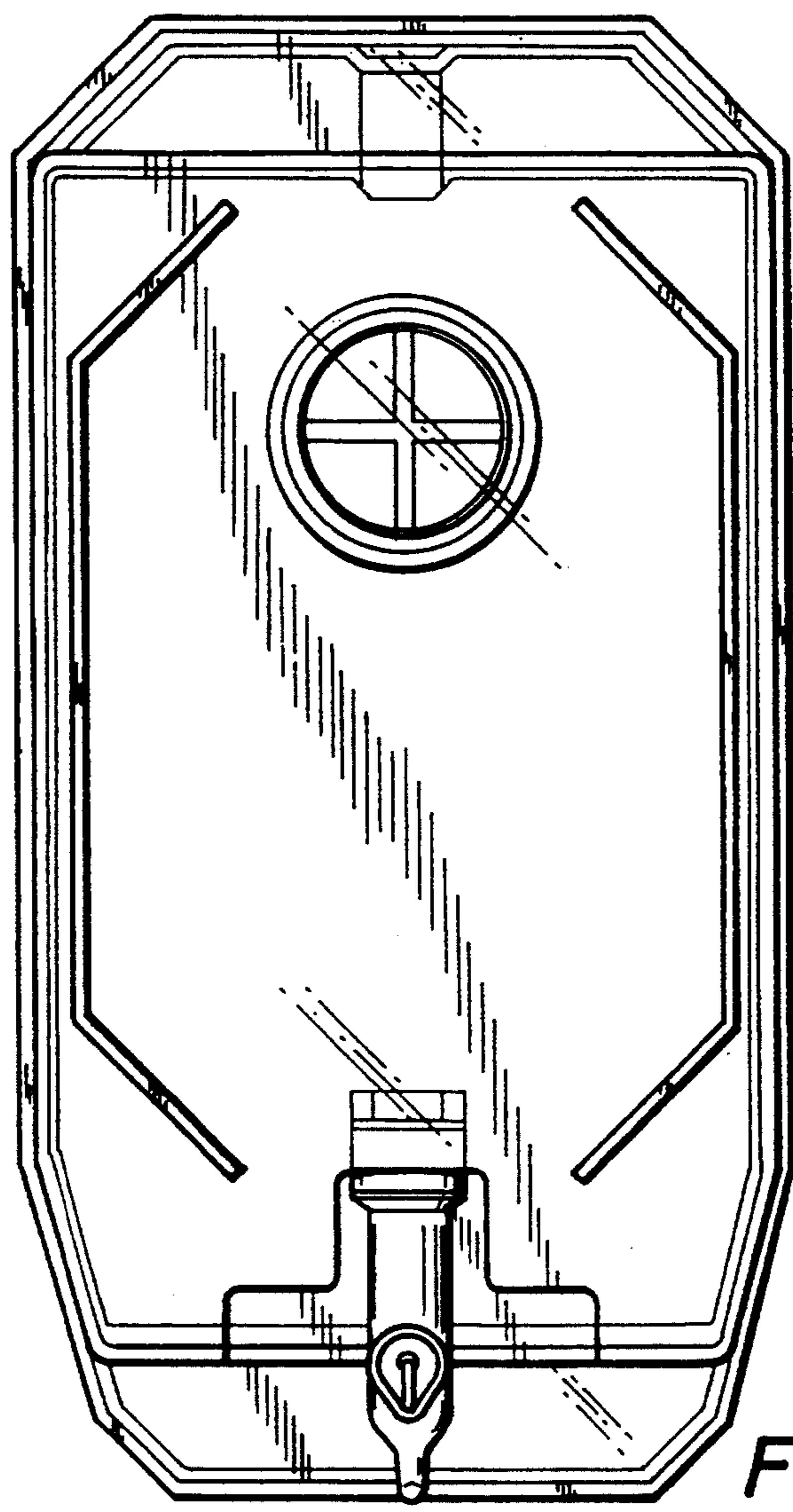


FIG. 6