



US00D349412S

United States Patent [19]
Fallon

[11] **Patent Number: Des. 349,412**

[45] **Date of Patent: ** Aug. 9, 1994**

[54] **SPORT SEAT**

[76] **Inventor: Daniel J. Fallon, 65431 73rd St., Bend, Oreg. 97701**

[**] **Term: 14 Years**

[21] **Appl. No.: 789,472**

[22] **Filed: Nov. 7, 1991**

[52] **U.S. Cl. D6/374; D6/375; D21/229; D21/230**

[58] **Field of Search D6/333, 334, 374, 375, D6/500, 501, 502; 297/183, 457; D21/229, 230**

[56] **References Cited**

U.S. PATENT DOCUMENTS

- D. 183,837 11/1958 Hammond D21/229
- D. 184,499 2/1959 Van Slooten D21/229
- D. 197,847 3/1964 Krencik D21/229 X
- D. 211,378 6/1968 Deshong et al. D21/229 X
- D. 231,588 5/1974 Hanley D6/333
- D. 234,866 4/1975 Cox, III D21/229
- D. 236,766 9/1975 Speer D6/333 X
- D. 243,296 2/1977 Gottsegen D6/334
- D. 286,471 11/1986 Solloway D6/333
- D. 291,427 8/1987 Schaller et al. D21/229 X

- D. 303,416 9/1989 Strauss D21/229
- D. 327,175 6/1992 Mariol D6/334 X
- 1,035,642 8/1912 Rosse 297/183 X
- 3,003,778 10/1961 Jaggart D21/229 X

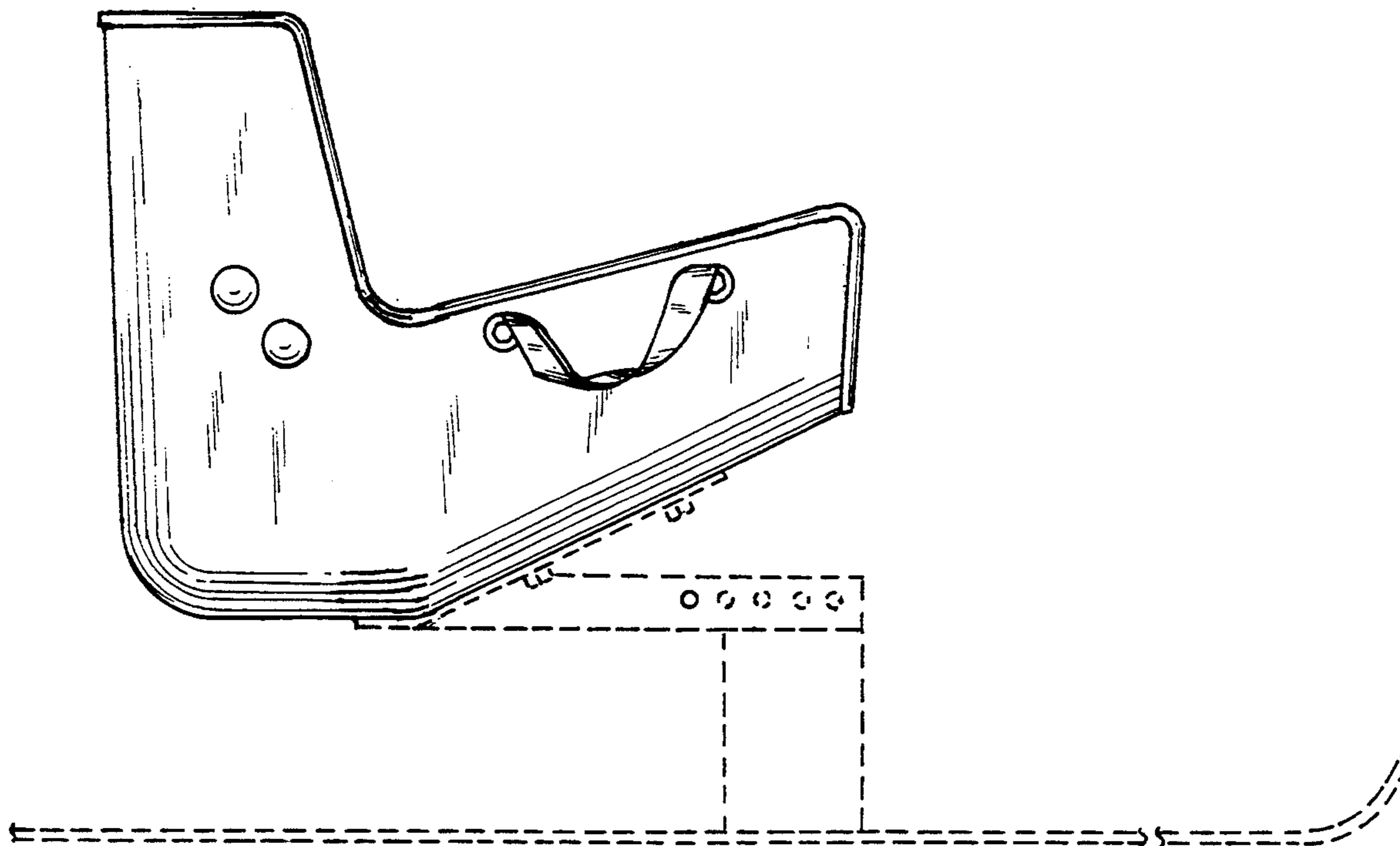
Primary Examiner—Alan P. Douglas
Assistant Examiner—Gary D. Watson
Attorney, Agent, or Firm—Charles N. Hilke

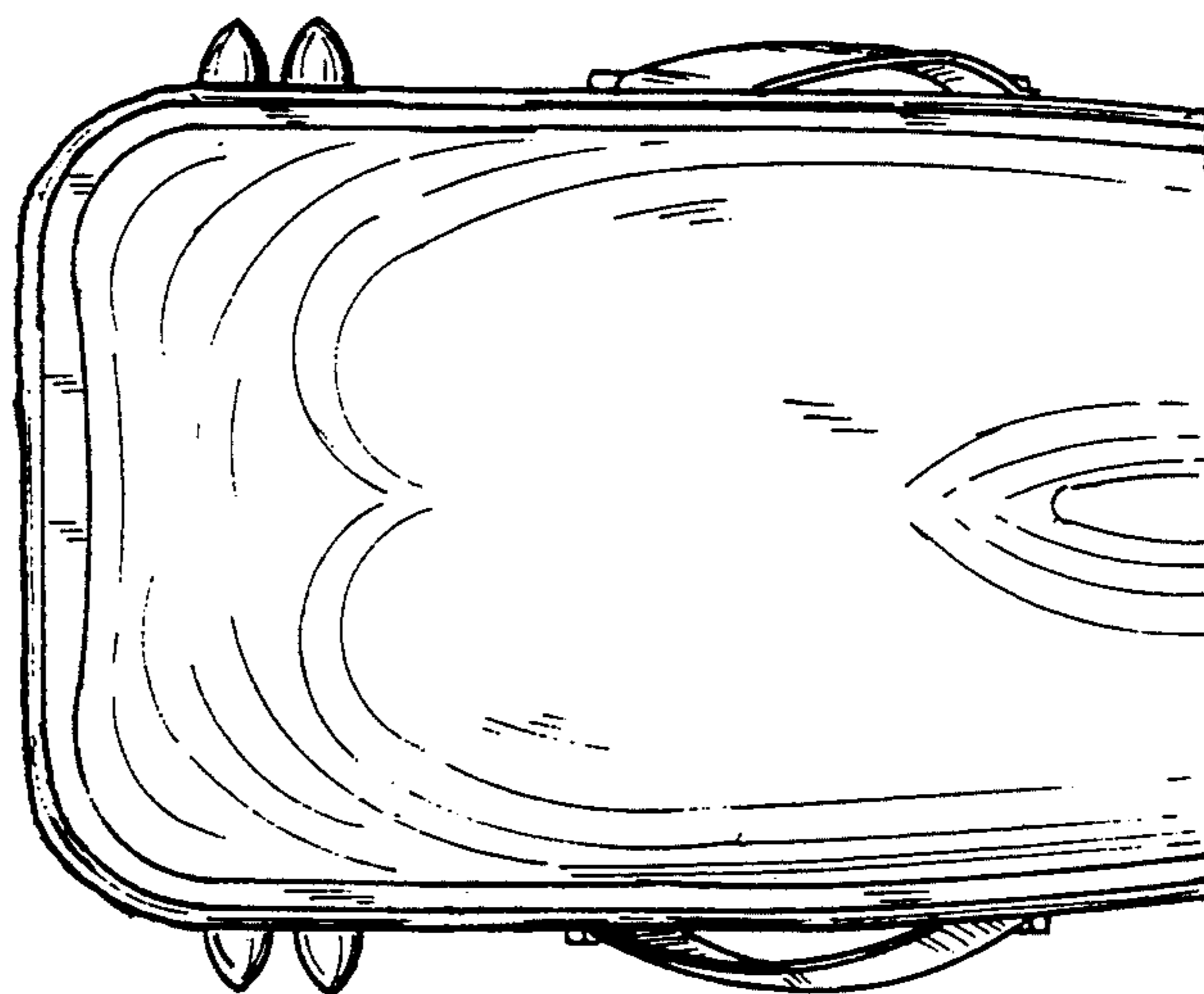
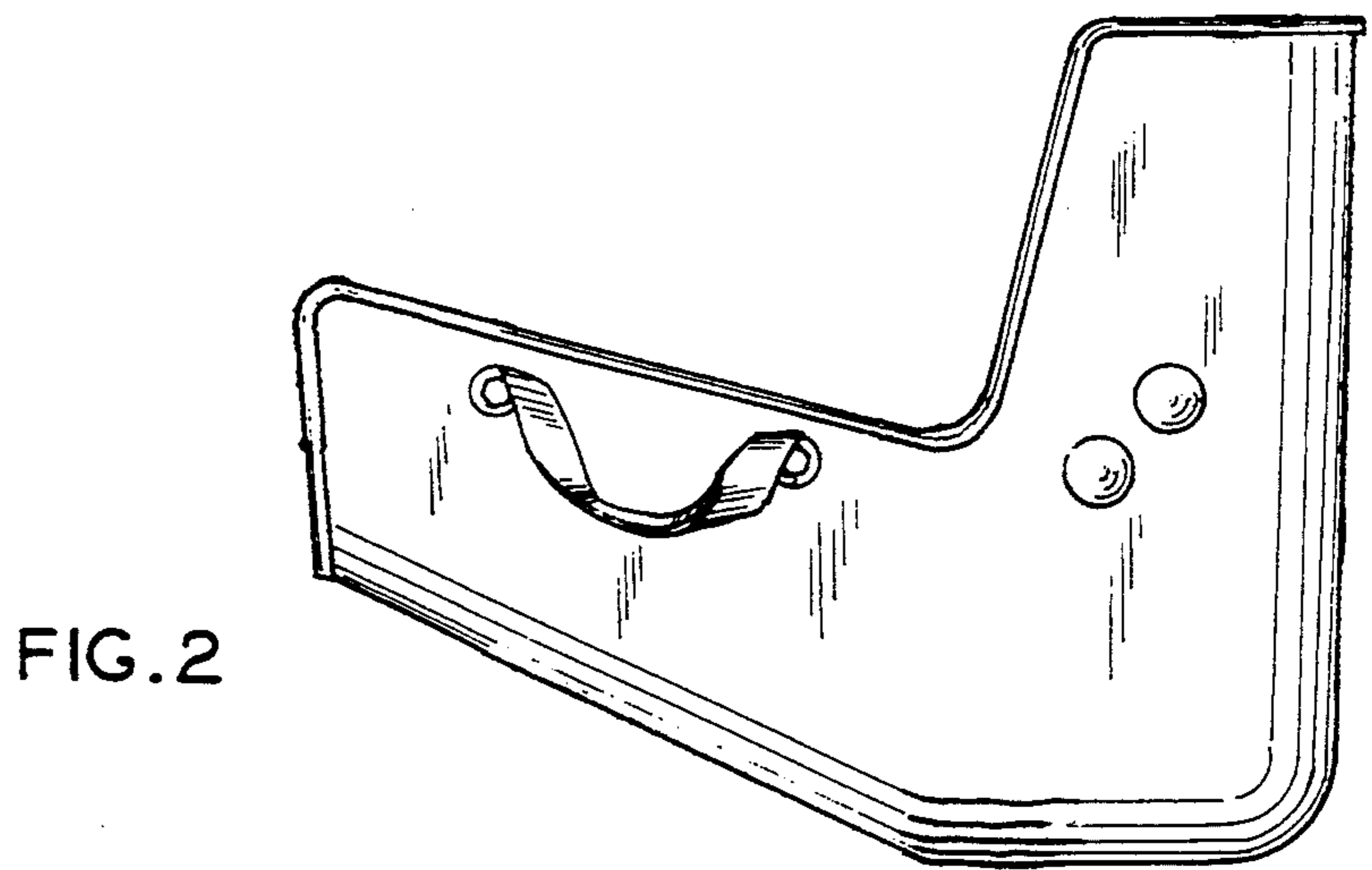
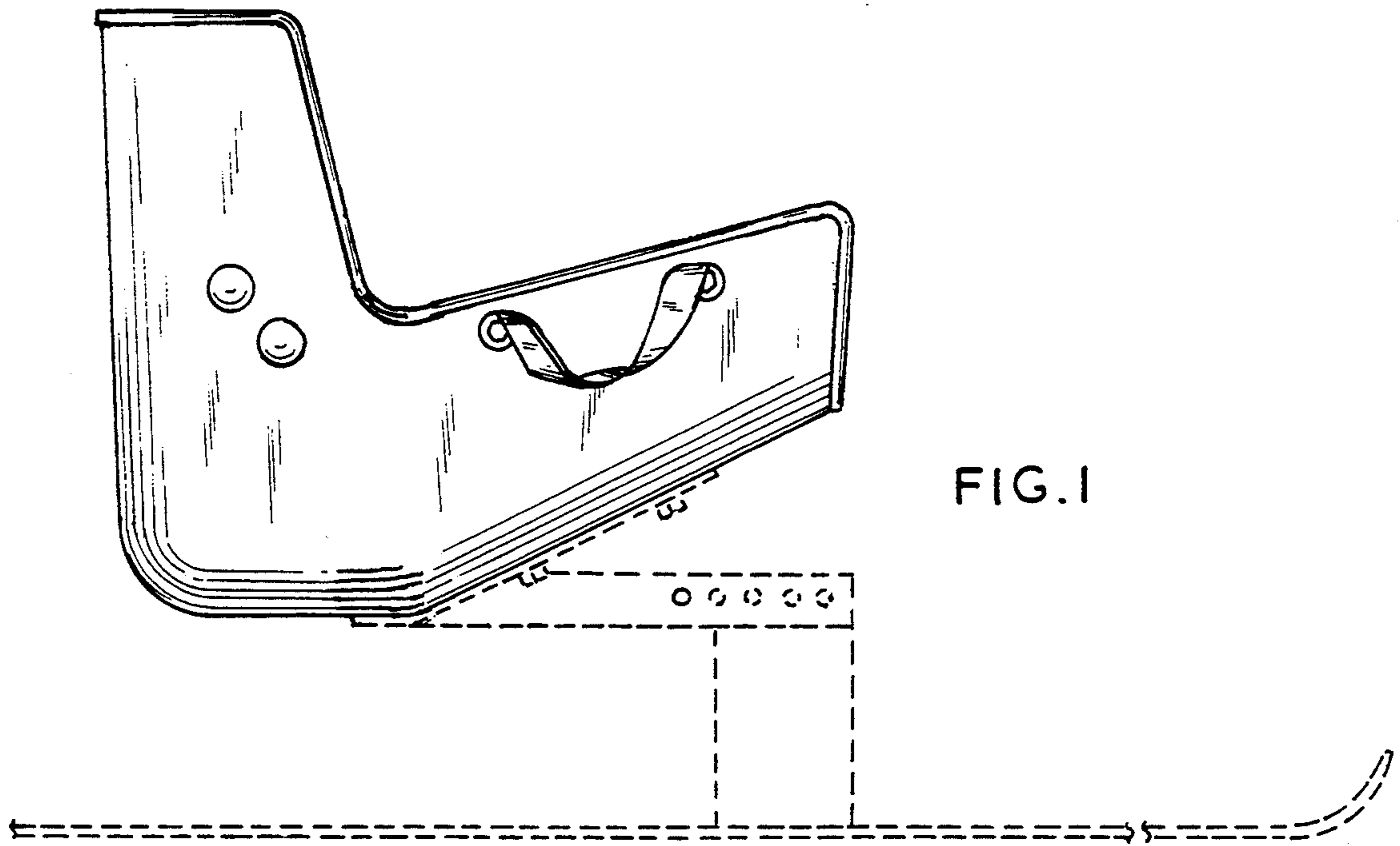
[57] **CLAIM**

The ornamental design for a sport seat, as shown and described.

DESCRIPTION

FIG. 1 is a right side view showing my new design for a sport seat mounted on a single ski;
FIG. 2 is a left side view thereof;
FIG. 3 is a top plan view thereof;
FIG. 4 is a front view thereof;
FIG. 5 is a back view thereof; and,
FIG. 6 is a bottom plan view thereof.
The broken line showing of a single ski and its mounting bracket, shown in FIG. 1, are for illustrative purposes only and form no part of the claimed design.
The ornamental design for a sport seat, as shown and described.





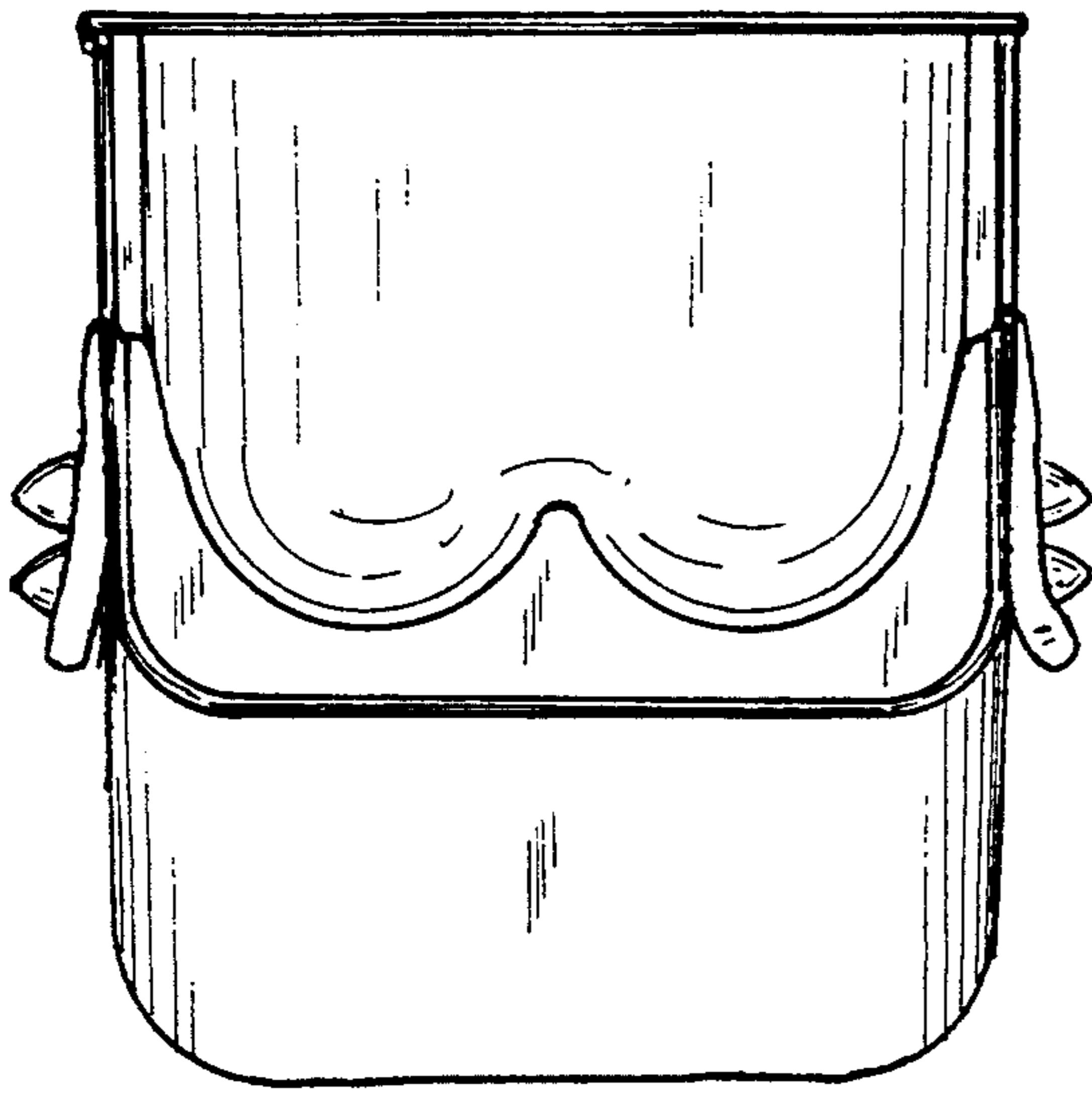


FIG. 4

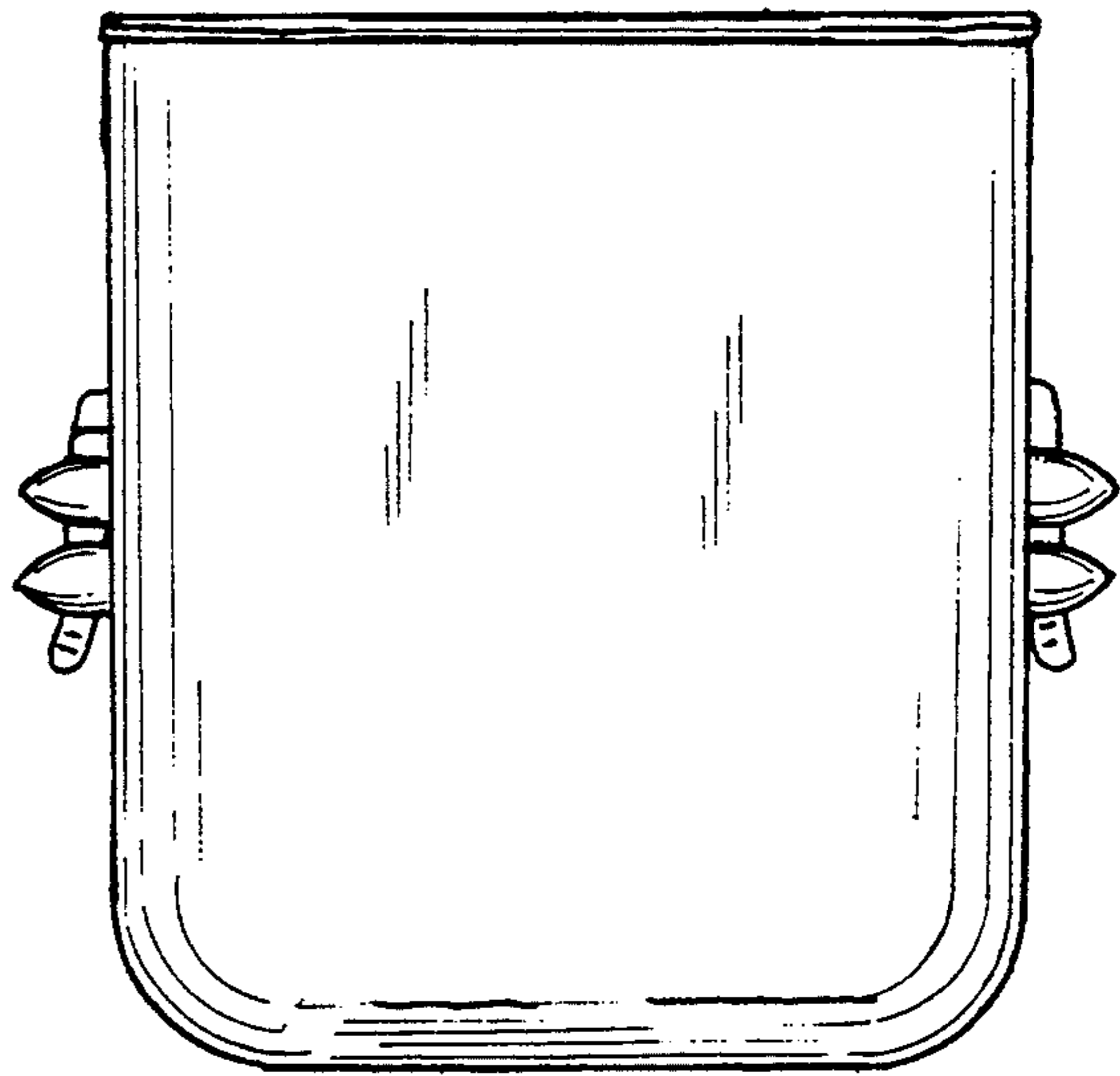


FIG. 5

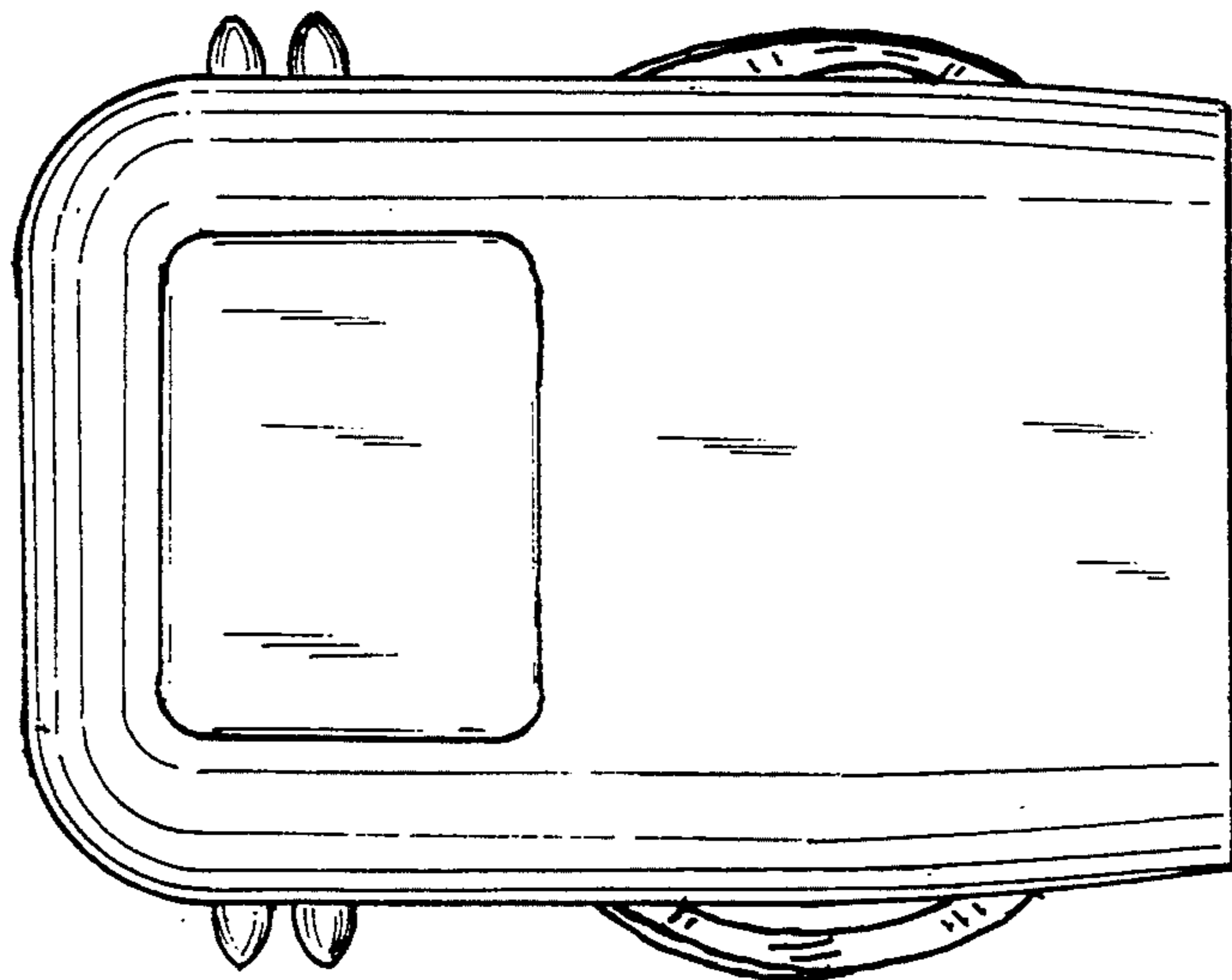


FIG. 6