



US00D349410S

United States Patent [19]

[11] Patent Number: **Des. 349,410**

Morales-Rivera

[45] Date of Patent: **** Aug. 9, 1994**

[54] FOLDABLE GARMENT HANGER HAVING STORAGE SPACES

4,620,651 11/1986 Spies .
4,809,889 3/1989 Friedman 223/78

[75] Inventor: **Manuel Morales-Rivera**, Rio Piedras, P.R.

FOREIGN PATENT DOCUMENTS

640043 11/1963 Belgium 223/95

[73] Assignee: **Commonwealth of Puerto Rico**, San Juan, P.R.

Primary Examiner—B. J. Bullock
Attorney, Agent, or Firm—Oblon, Spivak, McClelland, Maier & Neustadt

[**] Term: **14 Years**

[57] CLAIM

[21] Appl. No.: **878,510**

The ornamental design for a foldable garment hanger having storage spaces, as shown and described.

[22] Filed: **May 5, 1992**

[52] U.S. Cl. **D6/316; D6/319**

DESCRIPTION

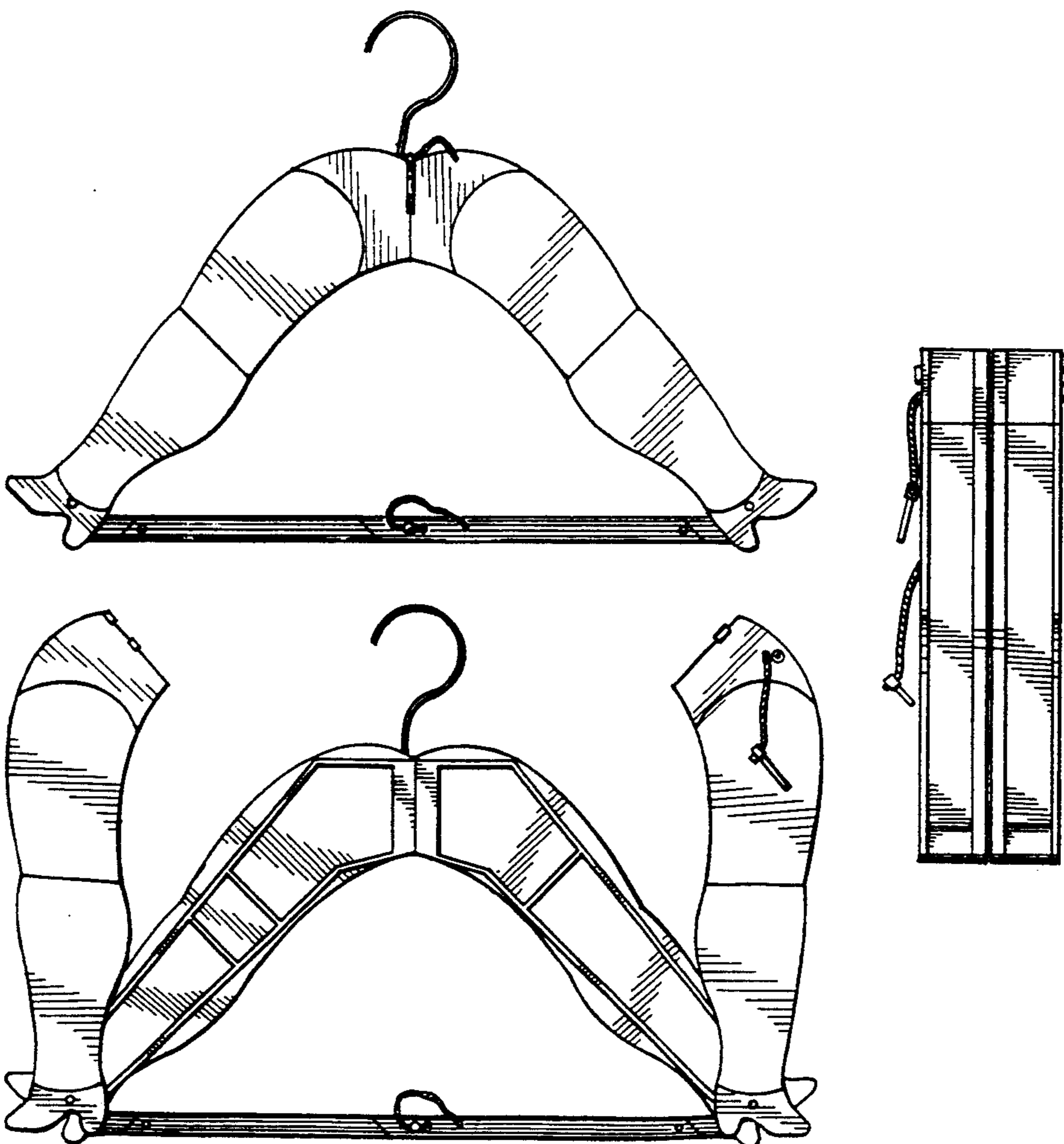
[58] Field of Search **D6/316, 318, 319; 211/113, 118; 223/89, 92, 94, 95, 98, 78**

FIG. 1 is a front elevational view showing my new design in an extended position of a foldable garment hanger having storage spaces;
FIG. 2 is a rear elevational view thereof;
FIG. 3 is a top plan view thereof;
FIG. 4 is a top plan view thereof, in its folded condition;
FIG. 5 is a bottom plan view thereof in its folded condition; and,
FIG. 6 is a front elevational view thereof, with the storage spaces opened.

[56] References Cited

U.S. PATENT DOCUMENTS

- D. 167,836 9/1952 Kandarian D6/318
- D. 195,069 4/1963 Zuckerman D6/316
- D. 239,041 3/1976 Rubinstein D6/318
- 884,617 4/1908 Schlang .
- 1,374,024 4/1921 Morton .



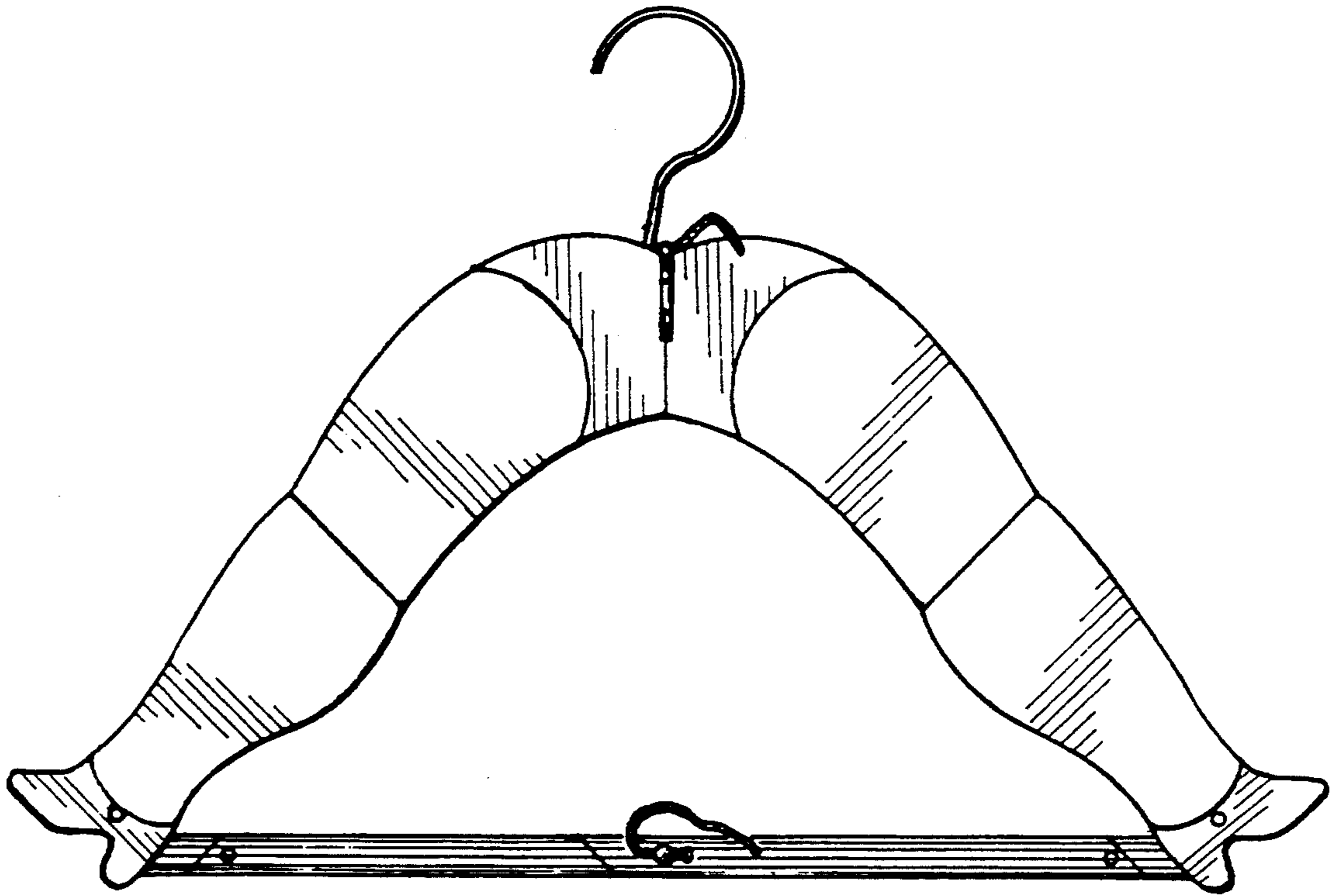


Fig. 1

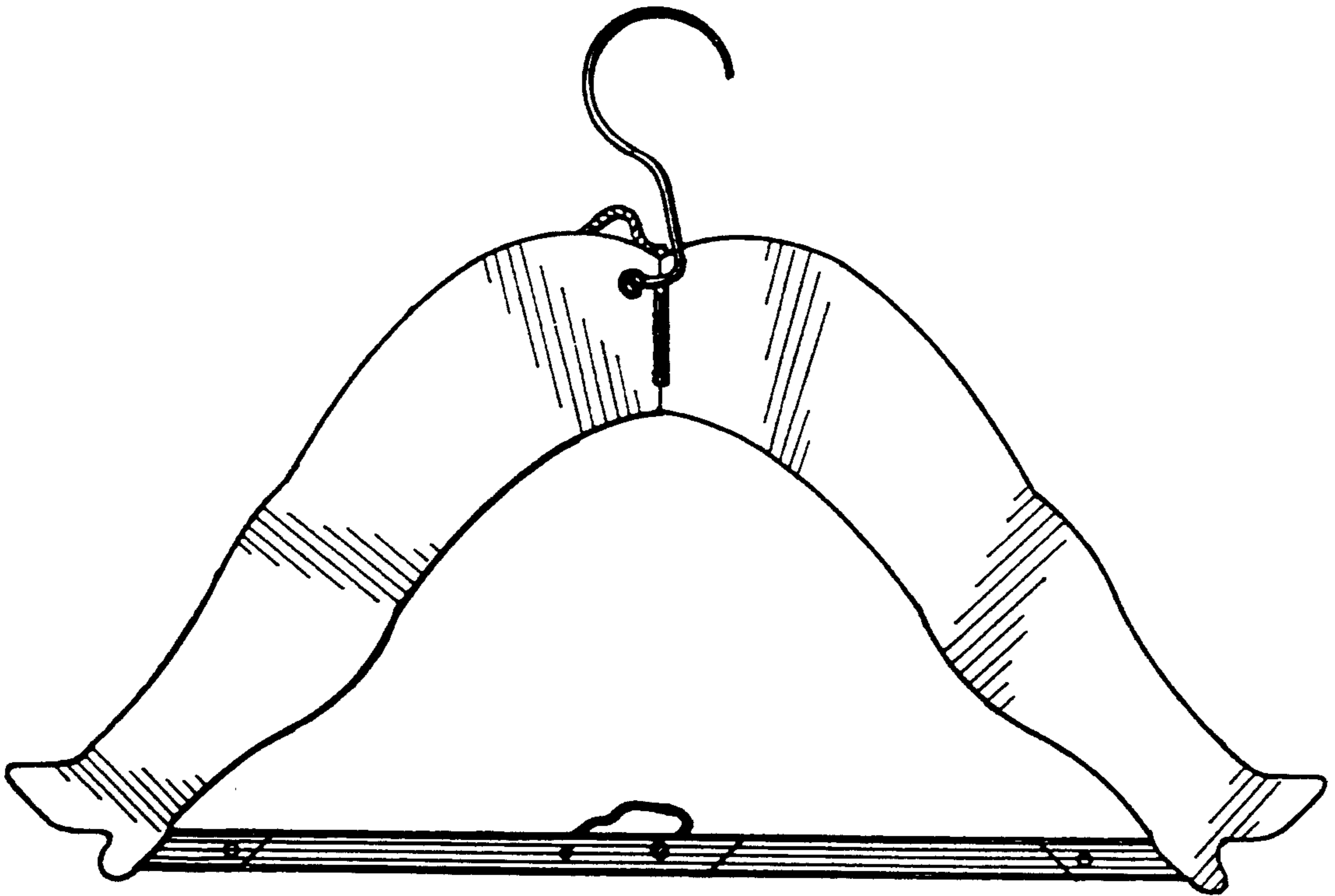


Fig. 2

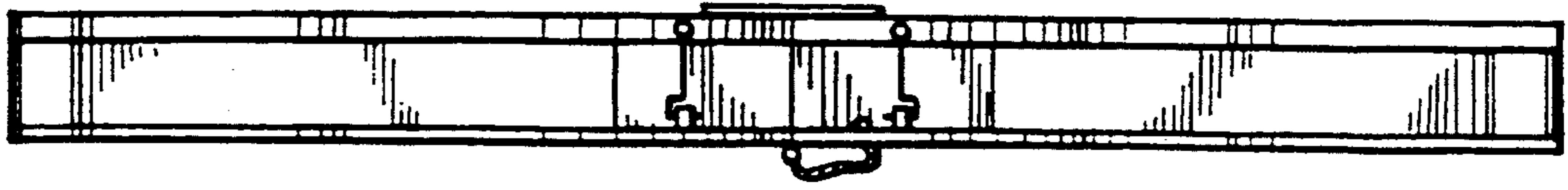


Fig. 3

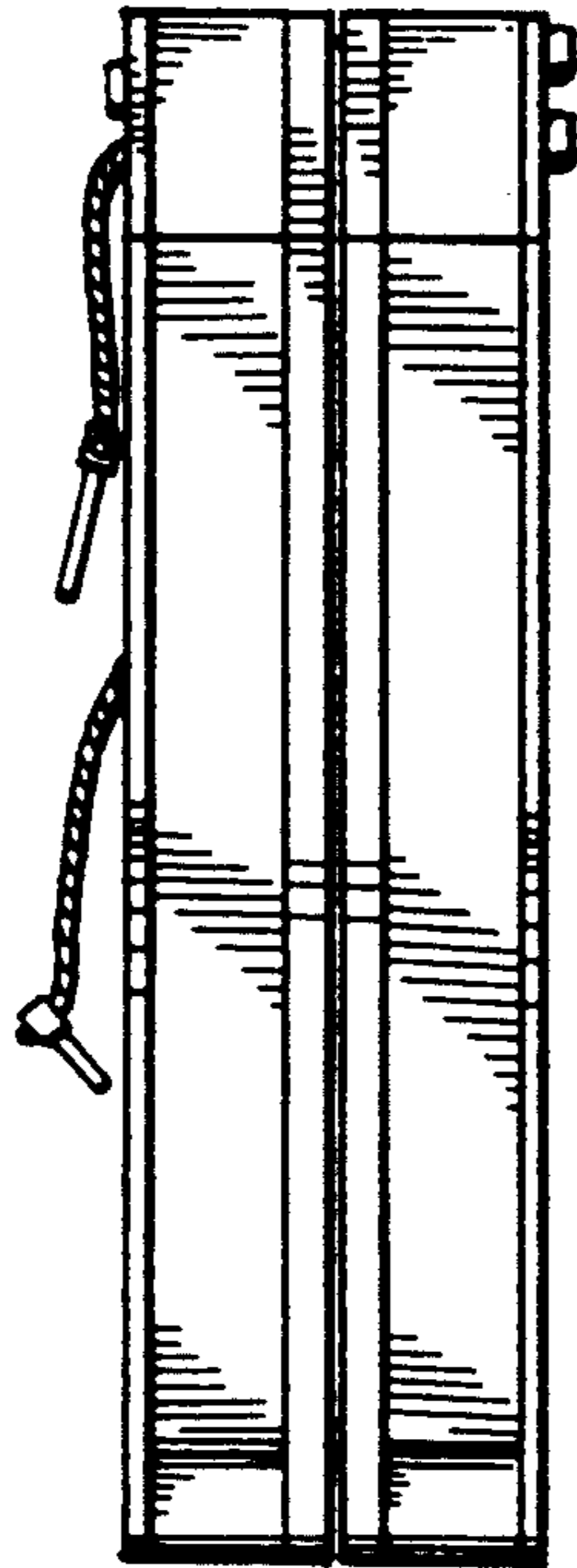


Fig. 4

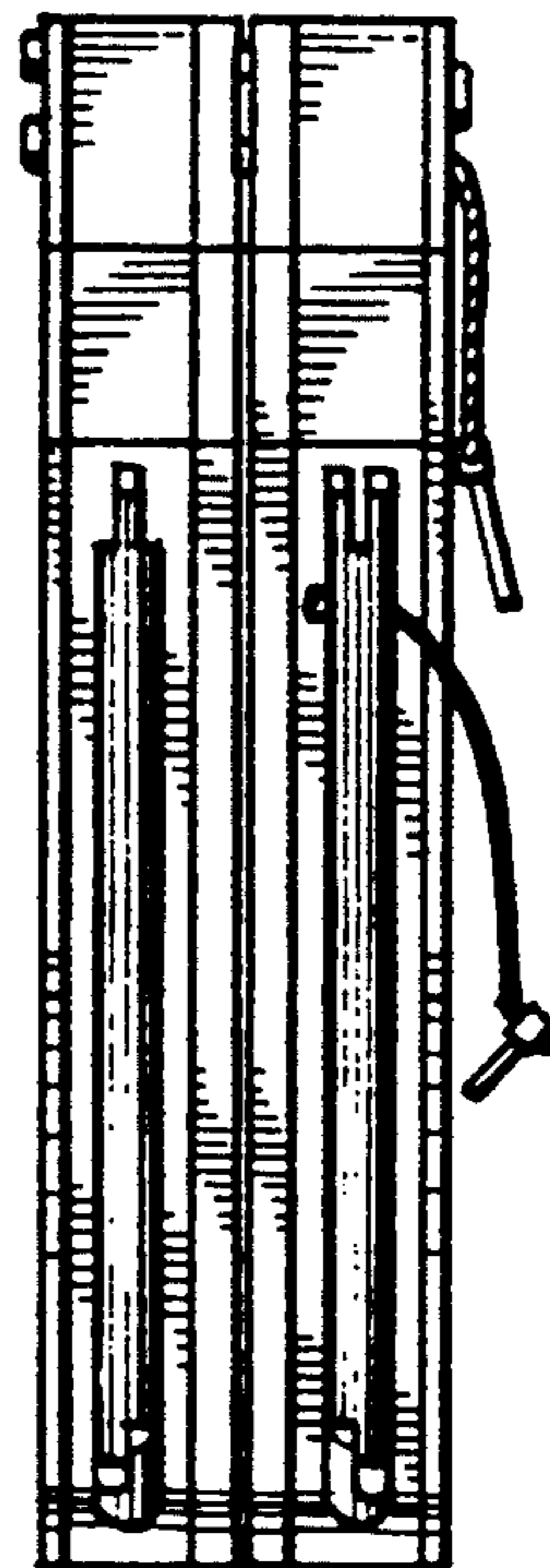


Fig. 5

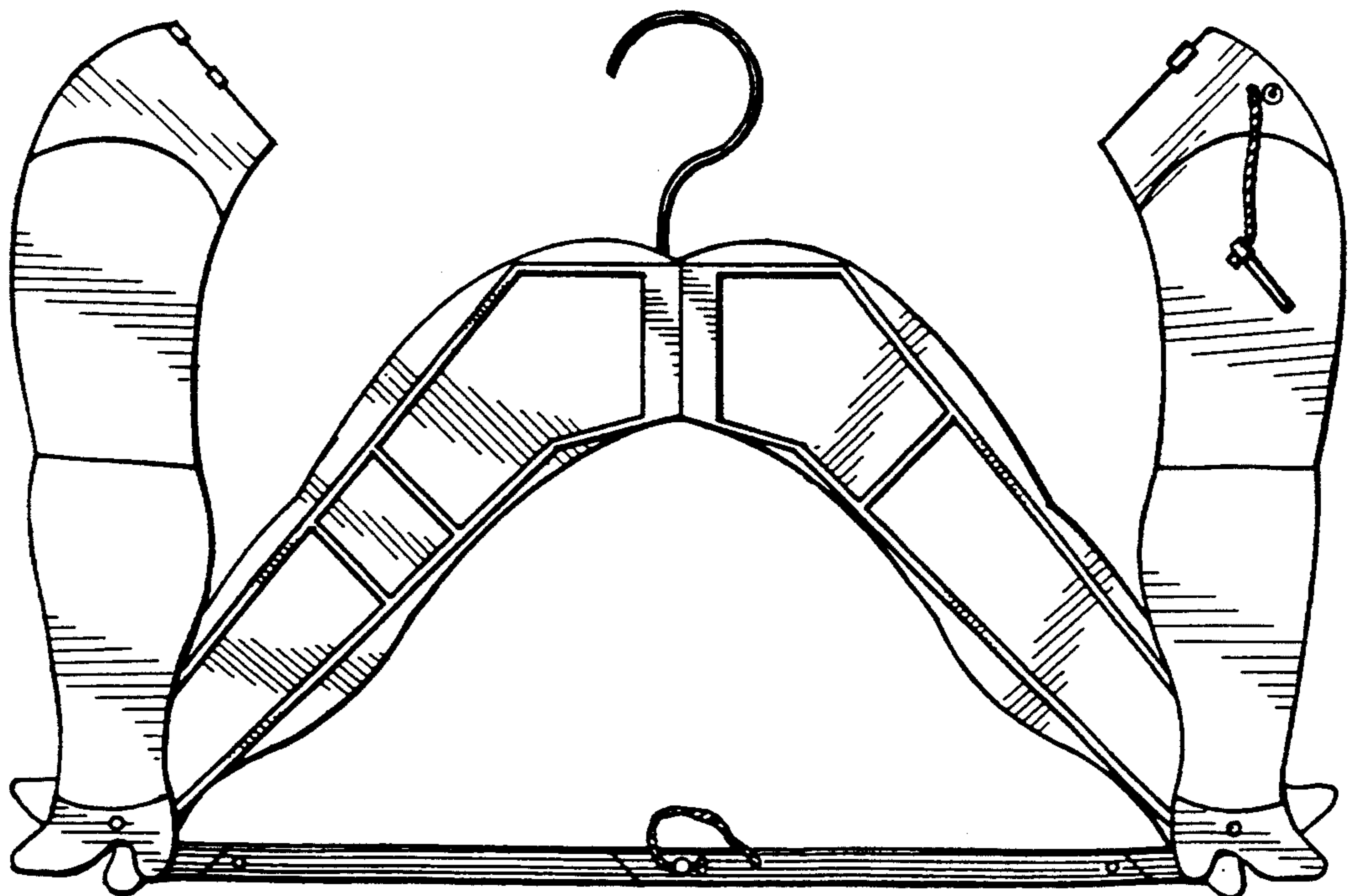


Fig. 6