



US00D349407S

United States Patent [19] White

[11] Patent Number: **Des. 349,407**

[45] Date of Patent: **** Aug. 9, 1994**

[54] **COMBINED SNOW BRUSH AND SCRAPER**

[75] Inventor: **Philip White, Markham, Canada**

[73] Assignee: **Fun Bunch Inc., Willowdale, Canada**

[**] Term: **14 Years**

[21] Appl. No.: **948,731**

[22] Filed: **Sep. 14, 1992**

[30] **Foreign Application Priority Data**

Jun. 1, 1992 [CA] Canada 01-06-92-7

[52] U.S. Cl. **D4/118; D32/42**

[58] Field of Search D4/116, 118, 130, 134,
D4/138; 15/105, 111, 117, 143.1, 159.1, 160,
236.01, 236.02, 236.08; D32/40-42, 49

[56] **References Cited**

U.S. PATENT DOCUMENTS

D. 242,748	12/1976	Graham et al.	D4/118
D. 305,963	2/1990	Brinker et al.	D4/118
2,896,241	7/1959	Cotman	15/105 X
4,302,862	12/1981	Machacek et al.	15/117

Primary Examiner—Wallace R. Burke

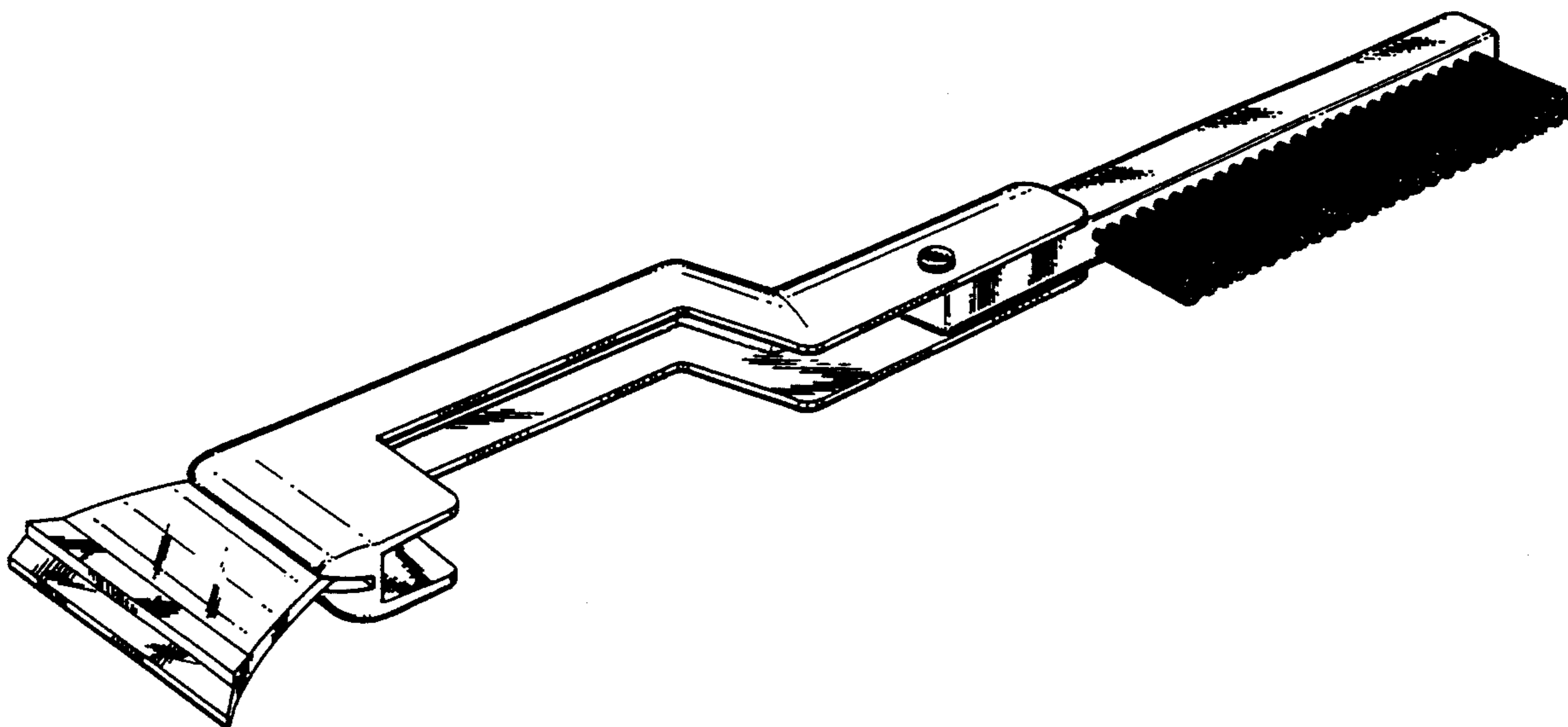
Assistant Examiner—Lavone D. Tabor

[57] **CLAIM**

The ornamental design for a combined snow brush and scraper, as described and shown.

DESCRIPTION

FIG. 1 is a perspective view;
FIG. 2 is a side elevation;
FIG. 3 is a bottom plan view;
FIG. 4 is a side elevation;
FIG. 5 is a top plan view;
FIG. 6 is an enlarged end elevation; and,
FIG. 7 is an end elevation taken opposite FIG. 6.



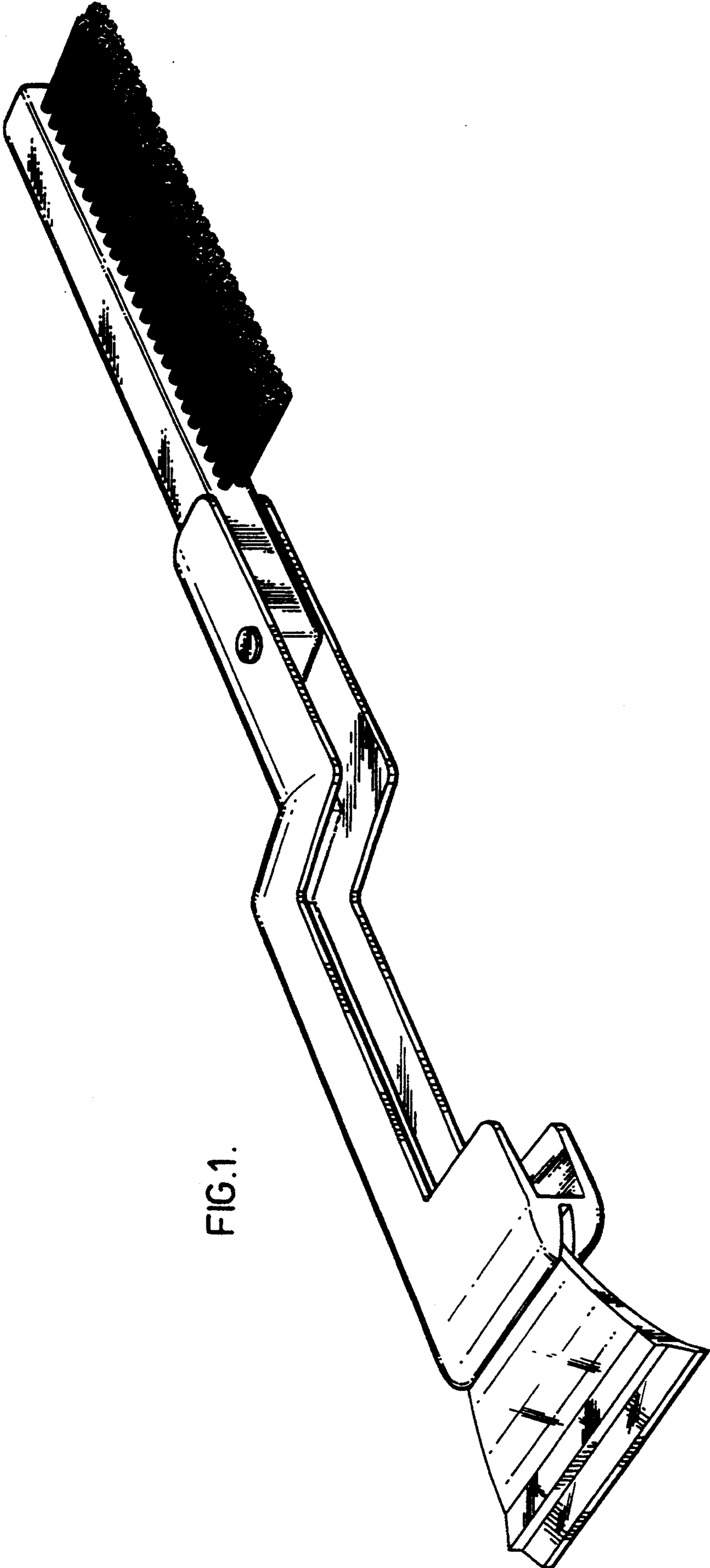


FIG.1.

FIG. 2.

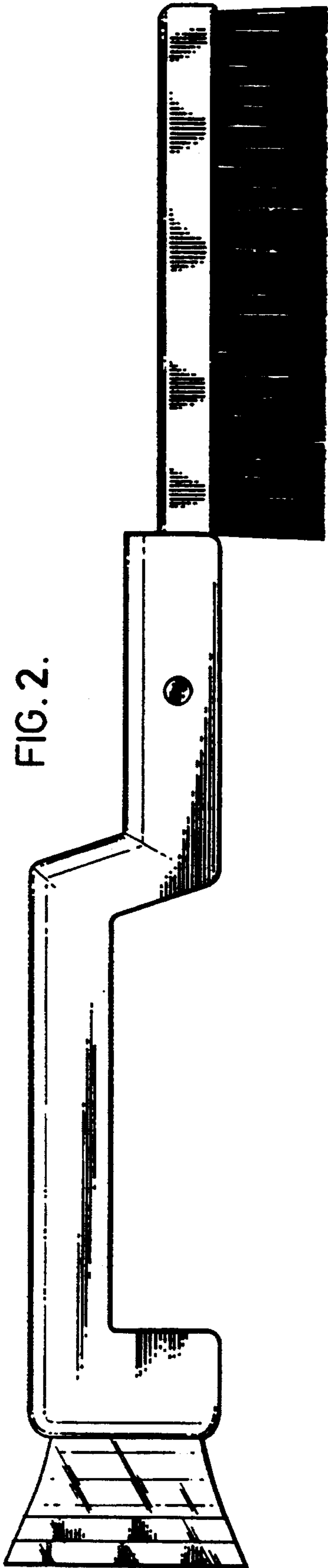


FIG. 3.



FIG. 4.

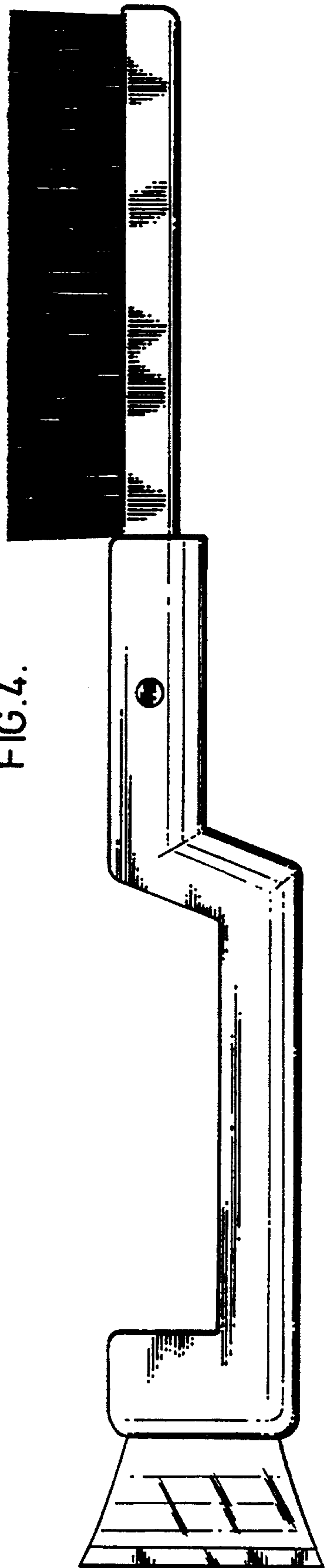


FIG.5.



FIG.6.

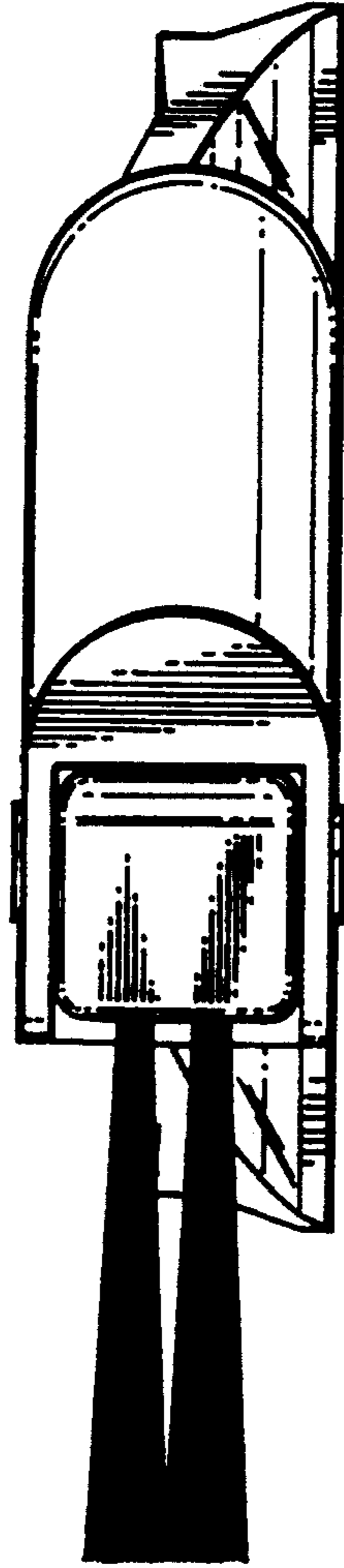


FIG.7.

