



US00D349401S

United States Patent [19] Carrillo

[11] Patent Number: **Des. 349,401**

[45] Date of Patent: **** Aug. 9, 1994**

[54] **BOWLING BALL BAG**

5,105,919 4/1992 Bomes et al. 190/18 A

[76] Inventor: **Dennis J. Carrillo**, 2818 Belt Line Rd., Apt. #167, Garland, Tex. 75044

Primary Examiner—Bernard Ansher
Assistant Examiner—Paula Mortimer
Attorney, Agent, or Firm—Hugh E. Smith

[**] Term: **14 Years**

[21] Appl. No.: **869,363**

[57] **CLAIM**

[22] Filed: **Apr. 14, 1992**

The ornamental design for a bowling ball bag, as shown and described.

[52] U.S. Cl. **D3/221; D3/279**

[58] Field of Search **D3/77, 76, 74, 30.1, D3/33, 35, 42, 48, 52, 71; 190/100-104, 106, 110, 115, 118, 111-113, 18 A, 109; 206/315.11**

DESCRIPTION

[56] References Cited

U.S. PATENT DOCUMENTS

D. 285,748	9/1986	Feinberg et al.	D3/77 X
4,210,186	7/1980	Belenson	190/111 X
4,334,601	6/1982	Davis	190/111 X
4,756,394	7/1988	Cohen	190/110 X
4,805,749	2/1989	Gerch	190/111
4,966,259	10/1990	Bergman	190/115 X
5,005,679	4/1991	Hjelle	190/110

FIG. 1 is a front elevational view of the bowling ball bag showing my new design;

FIG. 2 is a rear elevational view thereof;

FIG. 3 is a left side elevational view thereof;

FIG. 4 is a right side elevational view thereof;

FIG. 5 is a top plan view thereof;

FIG. 6 is a bottom plan view thereof; and,

FIG. 7 is a top plan view with the cover portion in an open position.

The broken line showing of the bowling balls in FIG. 7 is for illustrative purposes only and forms no part of the claimed design.

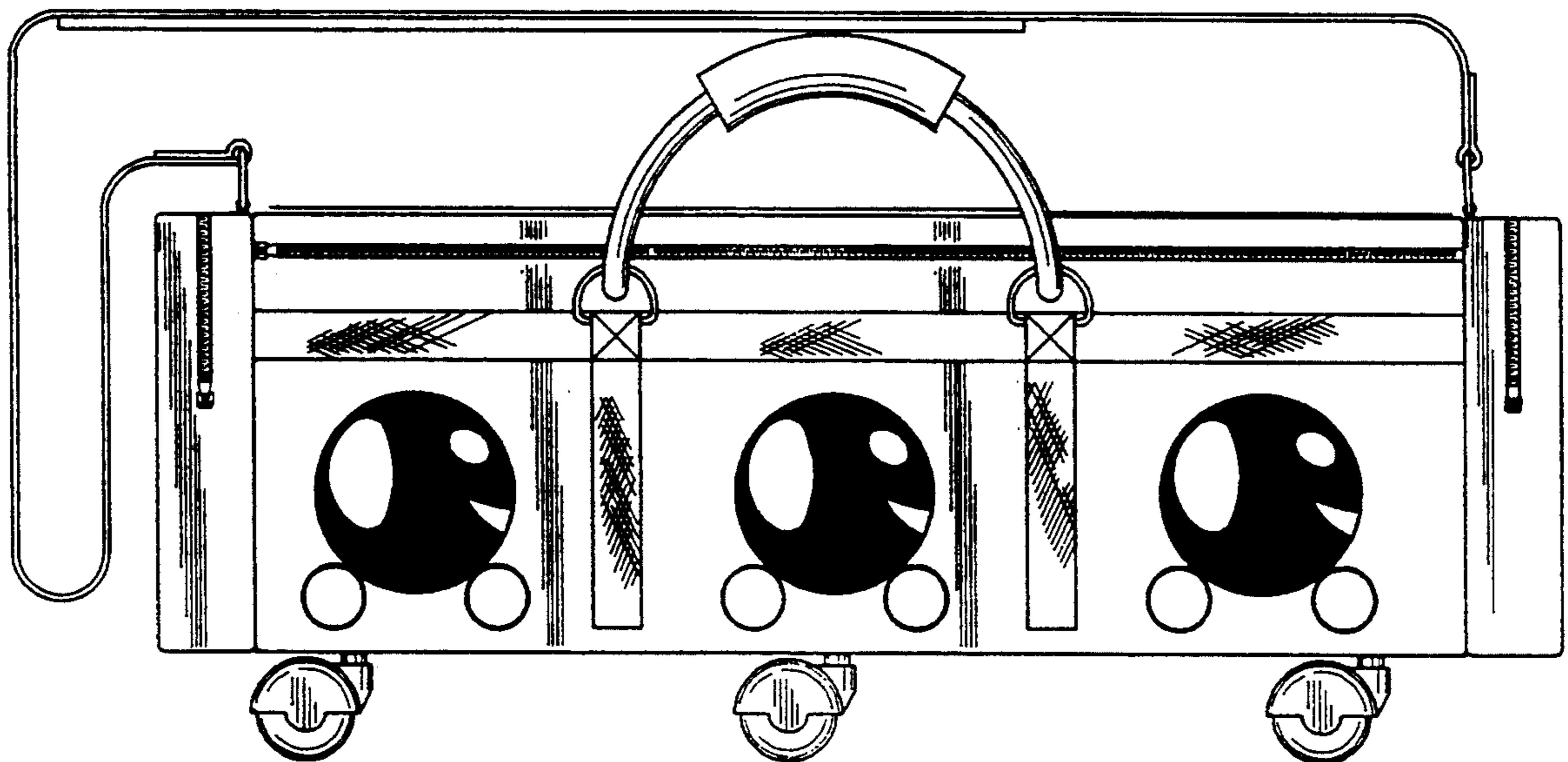


FIG. 1

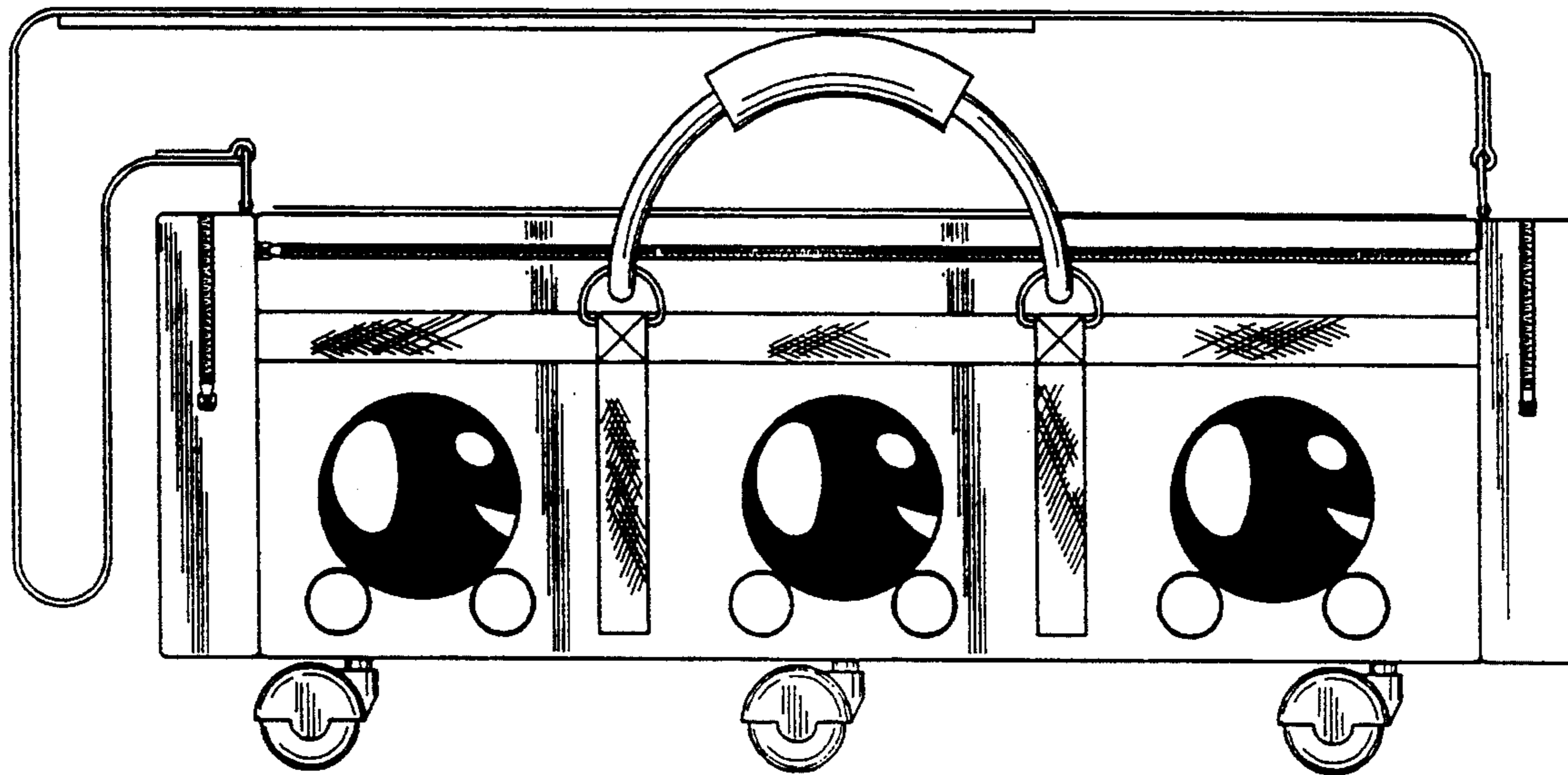


FIG. 2

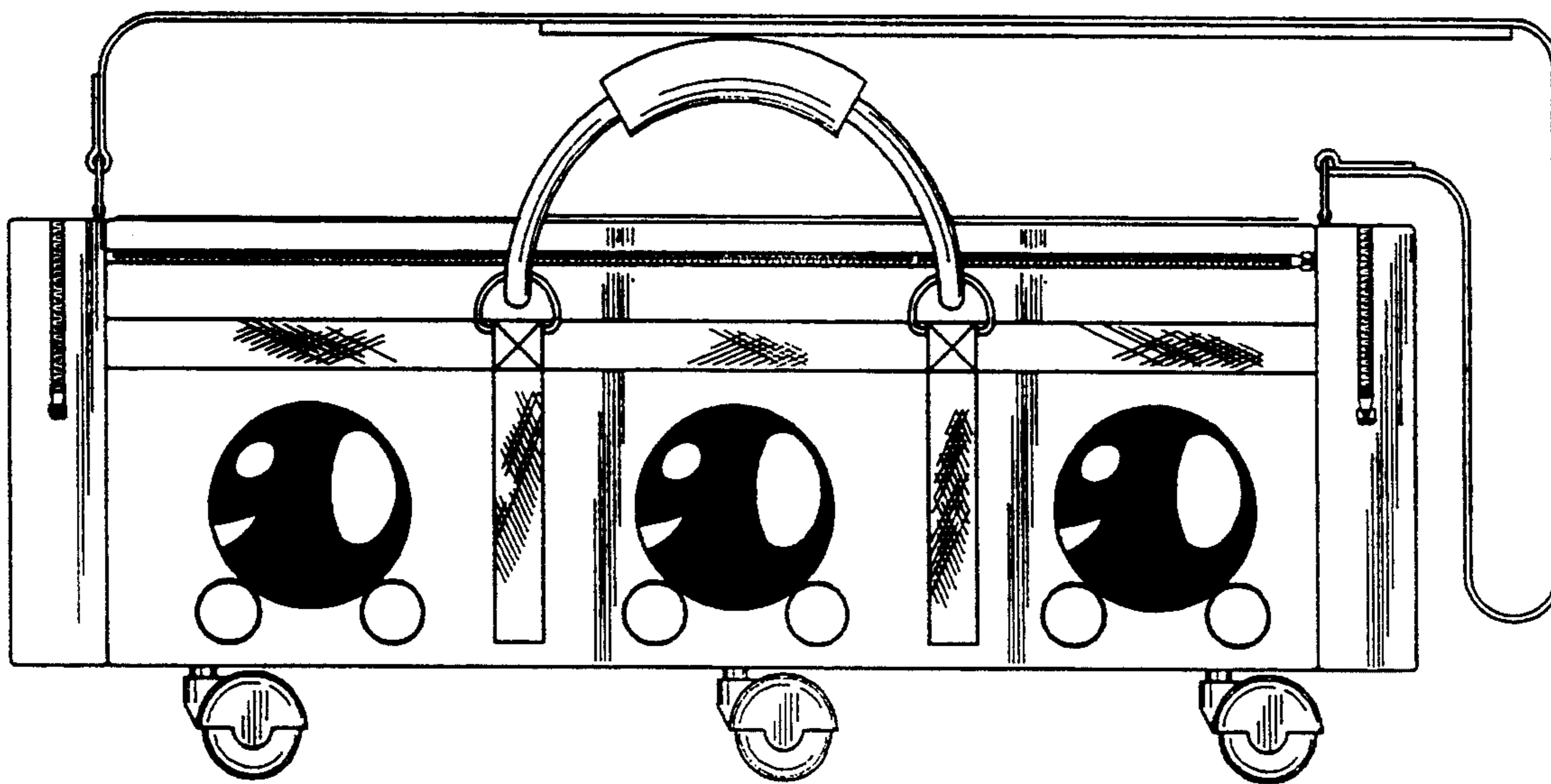


FIG. 3

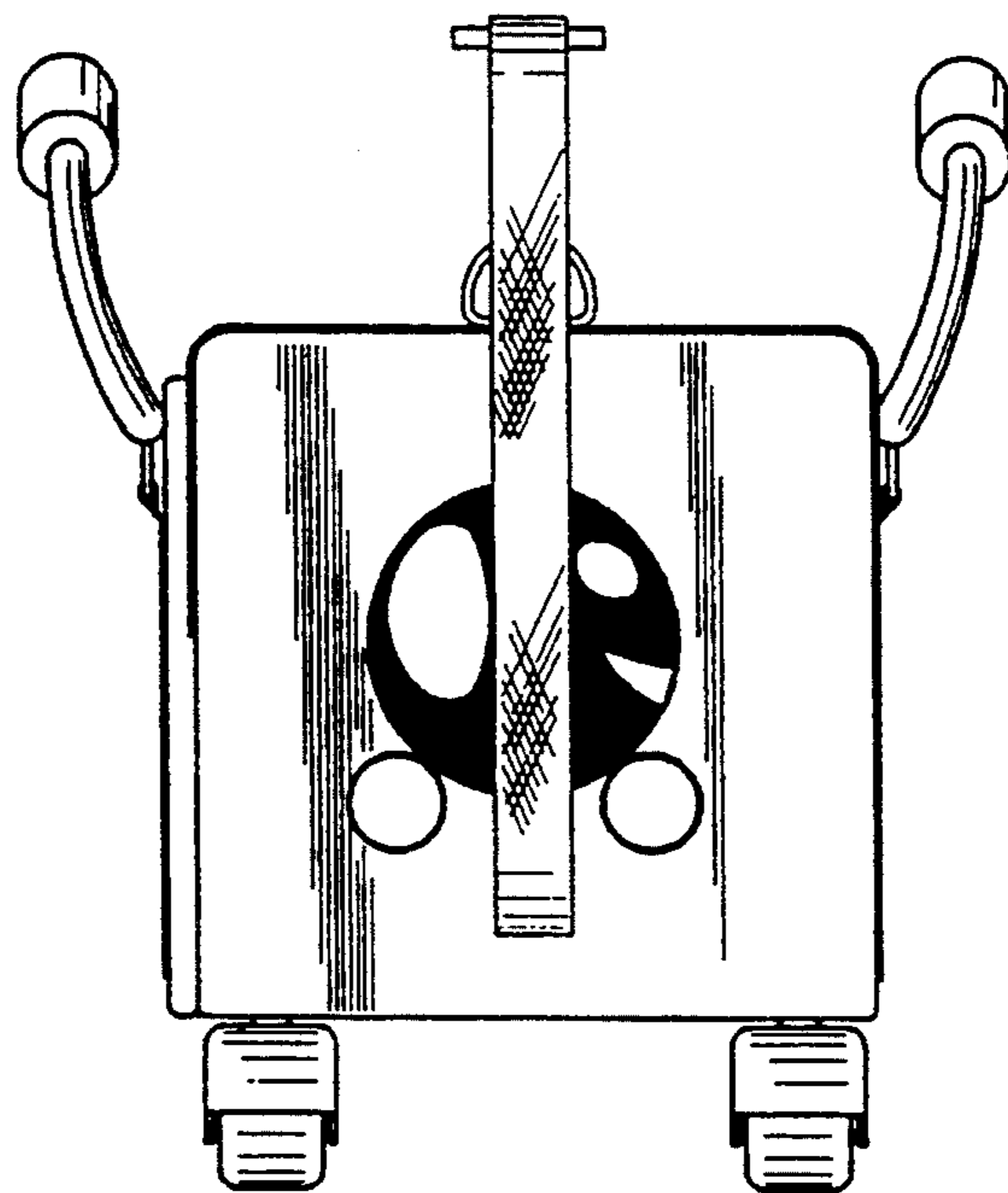


FIG. 4

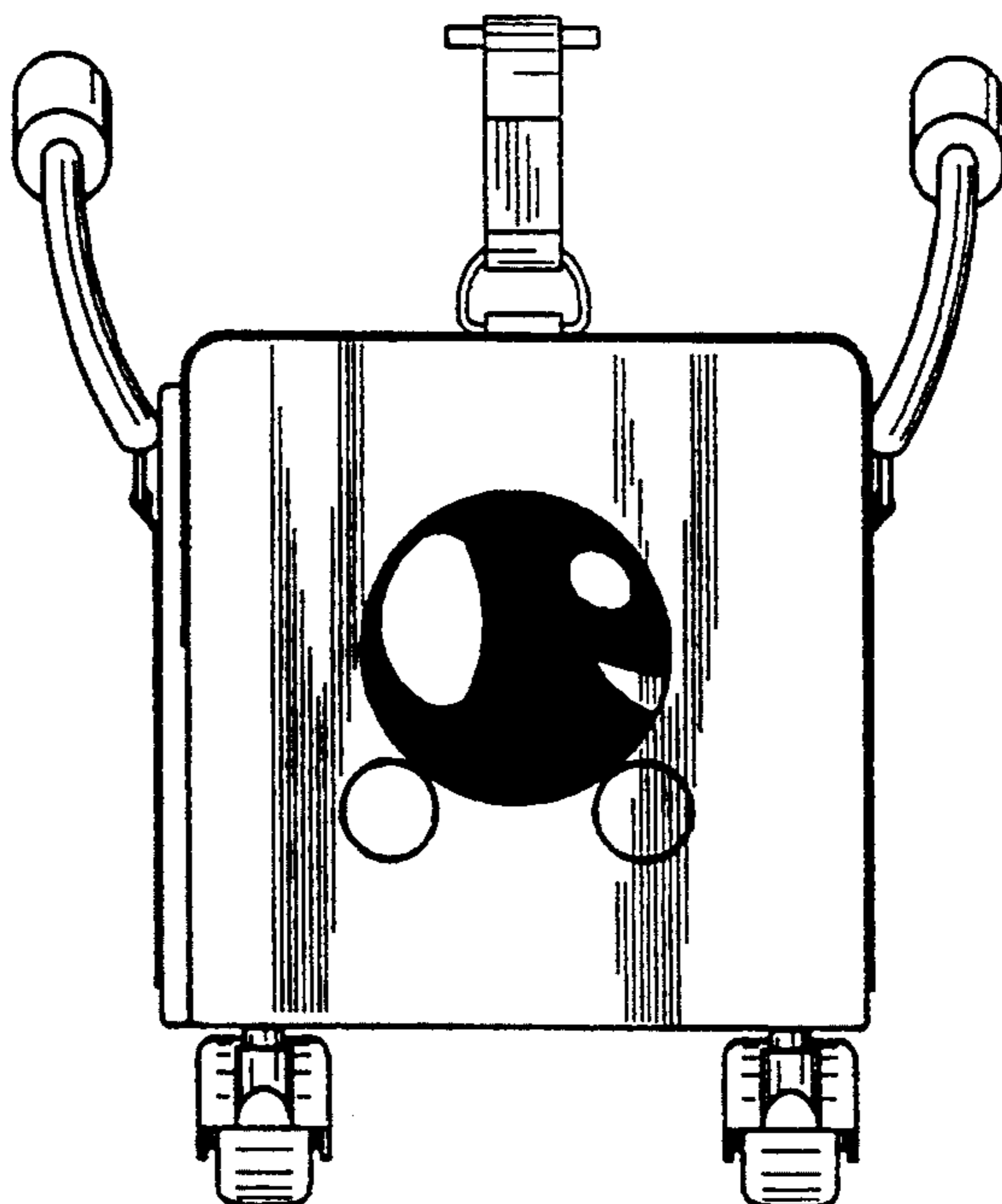


FIG. 5

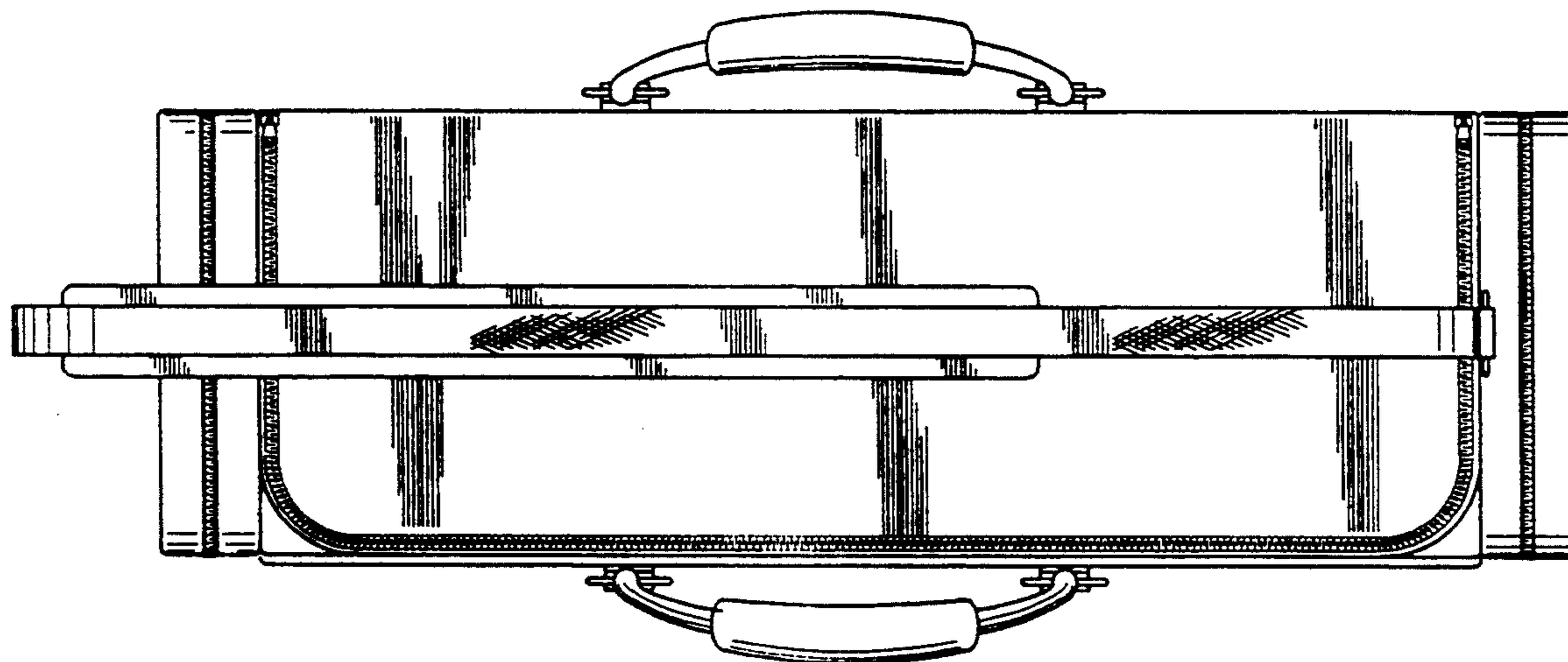


FIG. 6

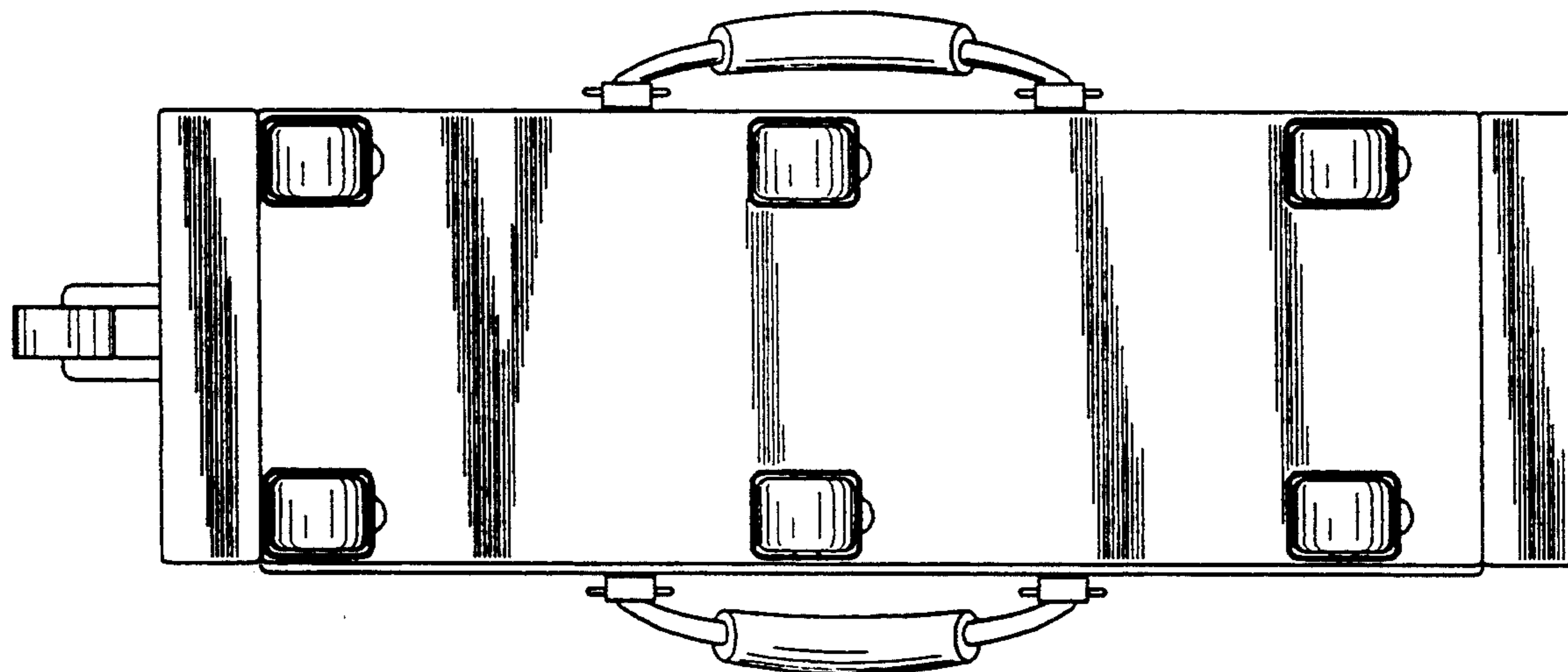


FIG. 7

