



US00D349398S

United States Patent [19]

[11] Patent Number: **Des. 349,398**

Ezzo

[45] Date of Patent: **** Aug. 9, 1994**

[54] **COMBINATION MONEY CLIP AND KEY HOLDER**

[57] **CLAIM**

The ornamental design for a combination money clip and key holder, as shown and described.

[76] Inventor: **James P. Ezzo**, 3815 N. Bayou Hills Rd., Parker, Colo. 80134

DESCRIPTION

[**] Term: **14 Years**

FIG. 1 is a perspective view of the invention;
FIG. 2 is a perspective view of the invention corresponding to FIG. 1 showing the key rotated to an exposed position;
FIG. 3 is a front elevational view of invention;
FIG. 4 is a side elevational view of the invention, with the opposite side being a mirror image thereof;
FIG. 5 is a rear elevational view of the invention;
FIG. 6 is a top plan view of the invention;
FIG. 7 is a bottom plan view of the invention;
FIG. 8 is a perspective view of a second embodiment showing my new design;
FIG. 9 is a front elevational view of the invention corresponding to FIG. 8;
FIG. 10 is a side elevational view of the invention corresponding to FIG. 8, with the opposite side being a mirror image thereof;
FIG. 11 is a rear elevational view of the invention corresponding to FIG. 8;
FIG. 12 is a top plan view of the invention corresponding to FIG. 8; and,
FIG. 13 is a bottom plan view of the invention corresponding to FIG. 8.
the broken line showing of a key in FIGS. 1-13 is for illustrative purposes only and forms no part of the claimed design.

[21] Appl. No.: **908,001**

[22] Filed: **Jun. 24, 1992**

[52] U.S. Cl. **D3/208; D11/215**

[58] Field of Search **D3/61-65, D3/103; 70/456 R, 456 B, 457-460; 24/3 K; D8/395; D11/78.1**

[56] **References Cited**

U.S. PATENT DOCUMENTS

- D. 170,961 12/1953 Blish D3/61
- D. 193,477 8/1962 Britton D11/78.1
- D. 313,314 1/1991 Albright D3/61
- 1,749,630 3/1930 Donaldson D3/61
- 2,637,994 5/1953 Harrison, Jr. et al. D3/61

Primary Examiner—A. Hugo Word
Assistant Examiner—R. Seifert
Attorney, Agent, or Firm—Dorr, Carson, Sloan & Peterson

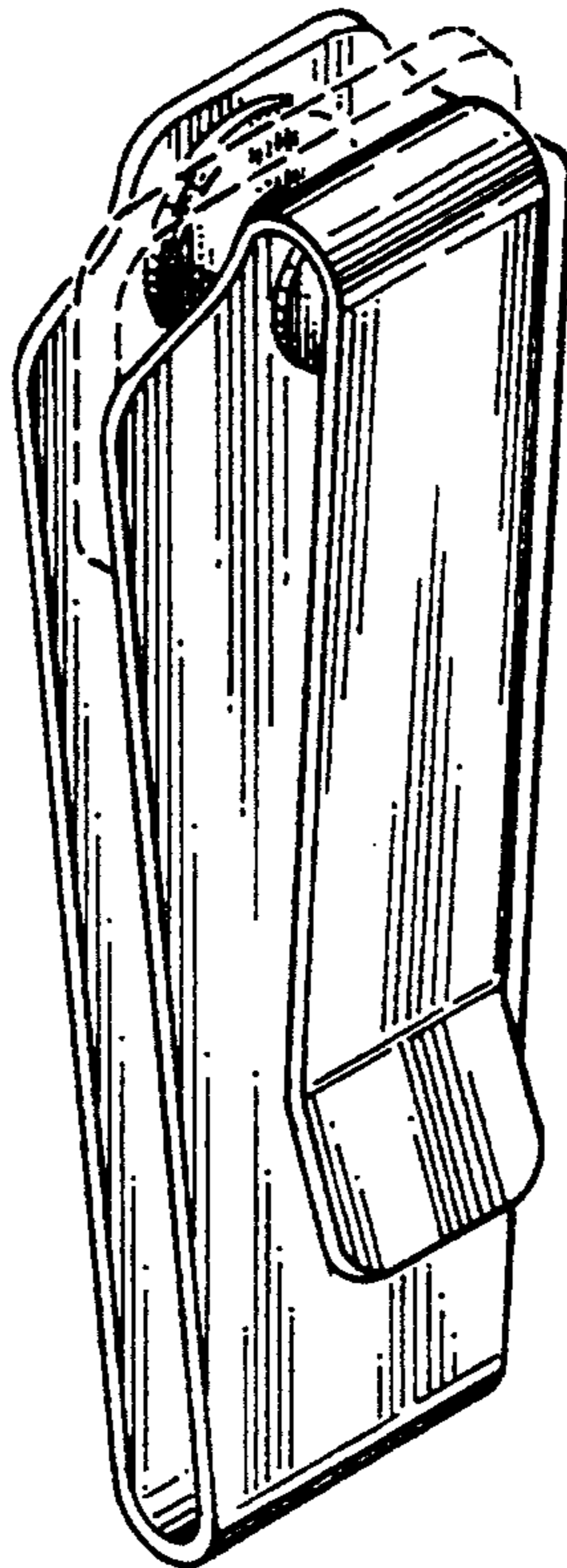


Fig. 1

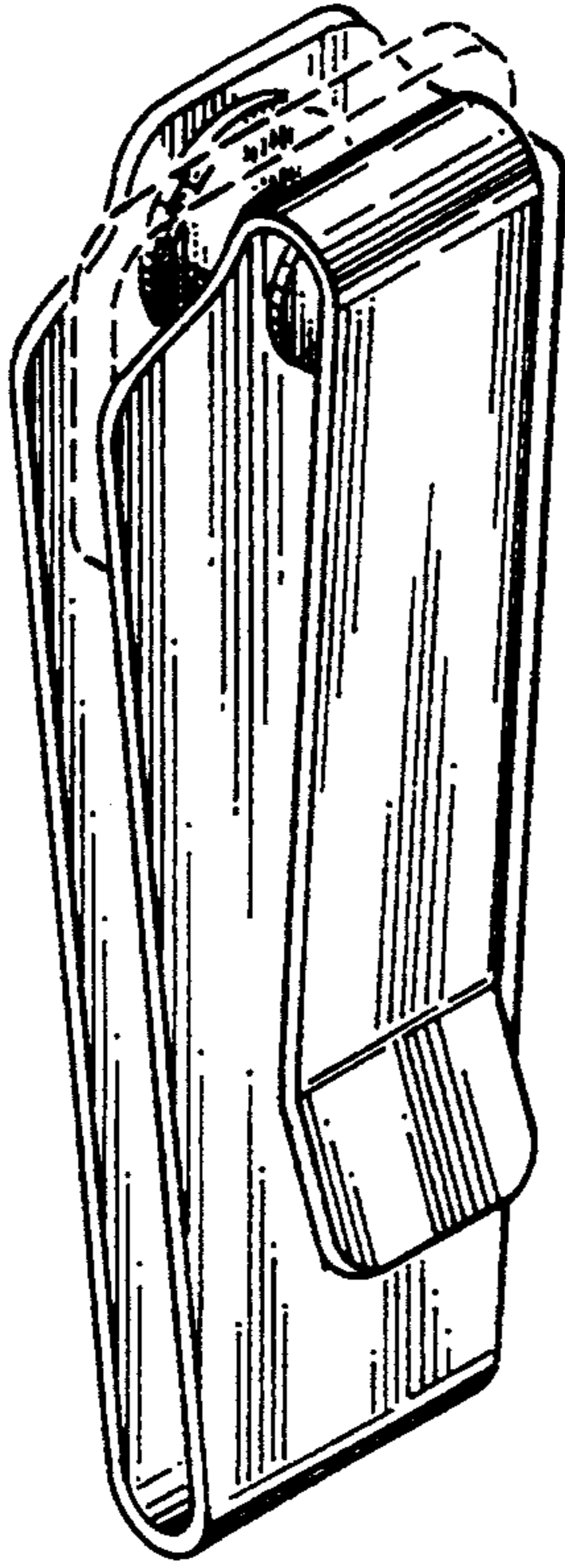
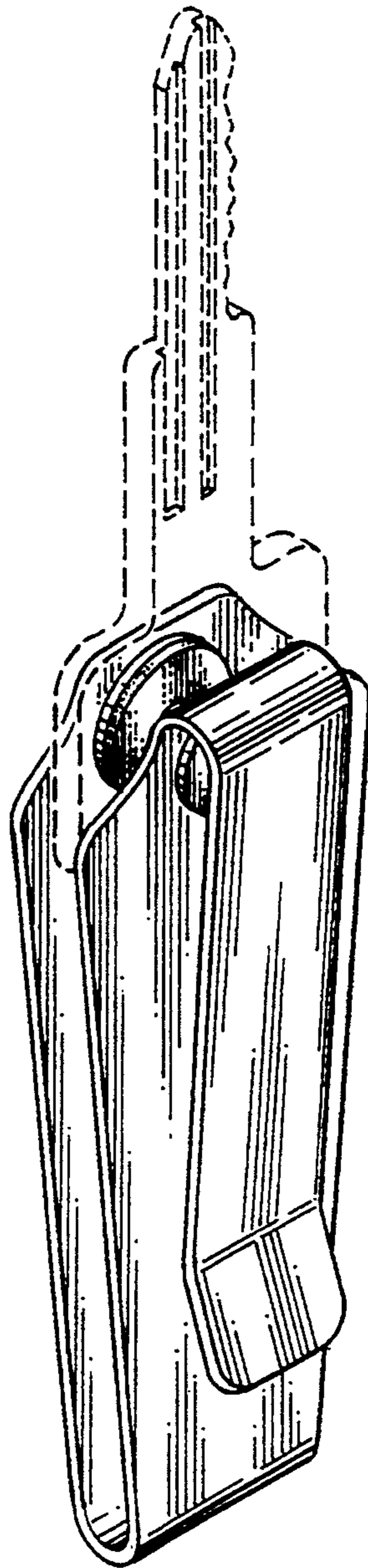
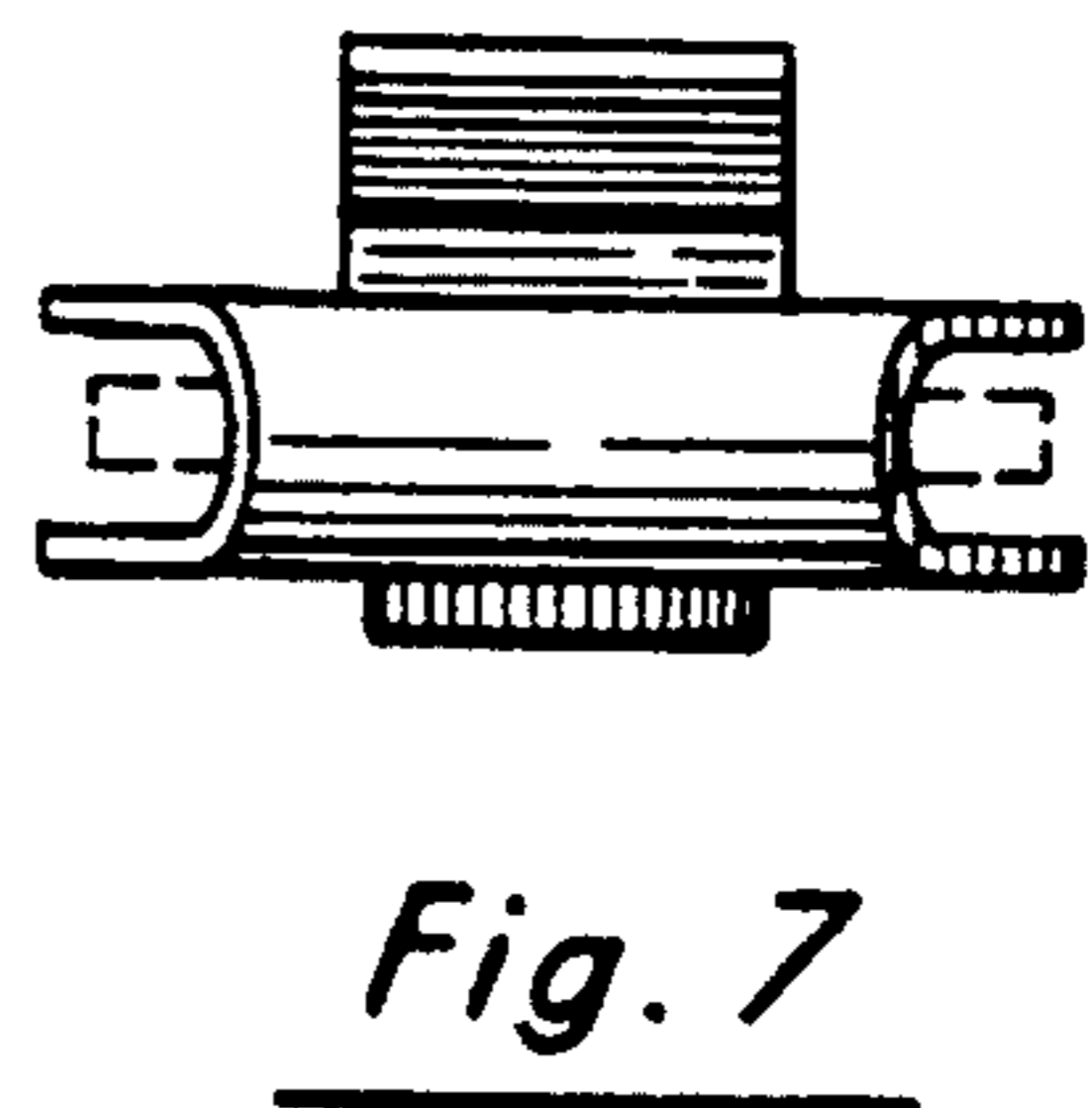
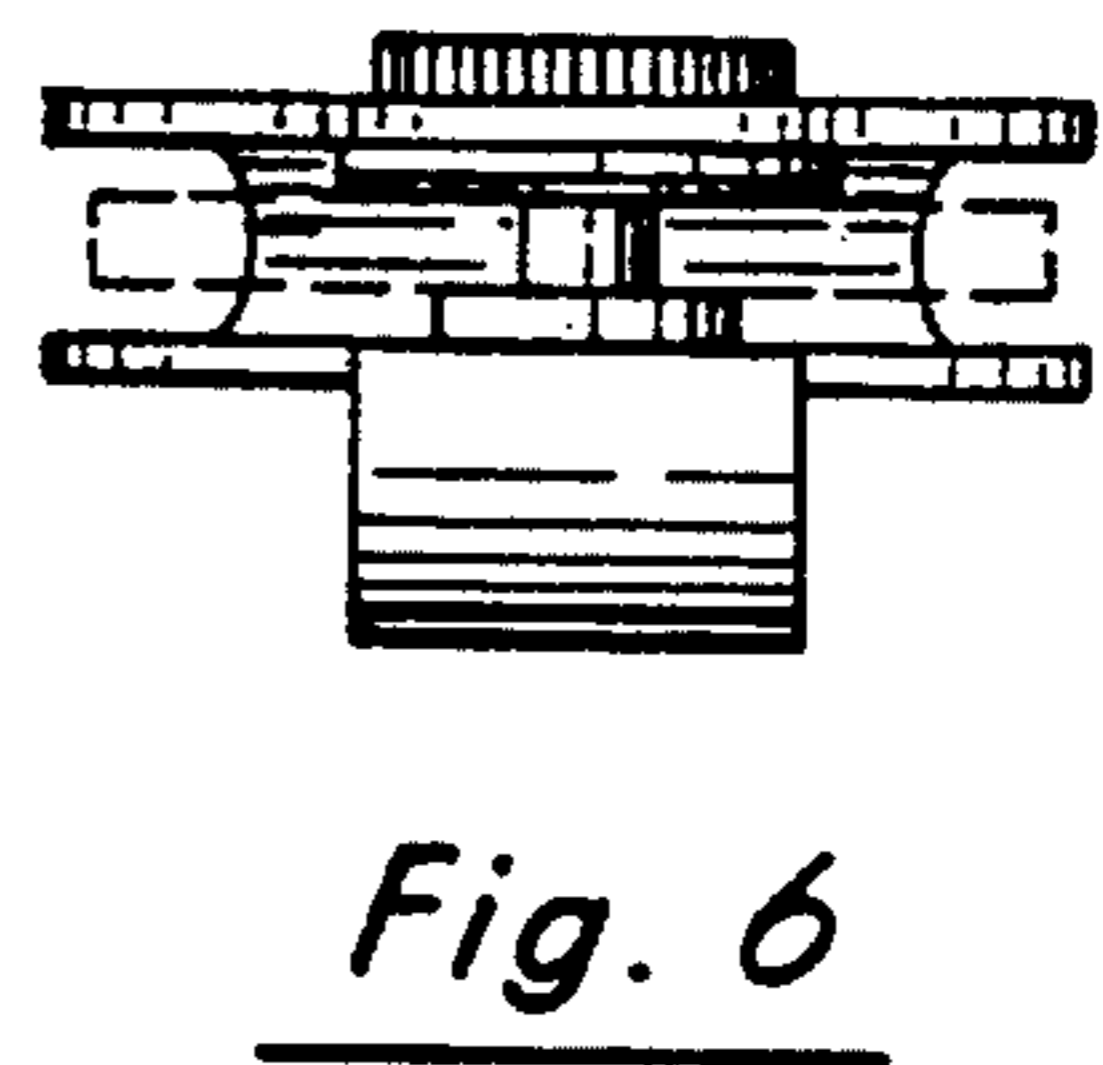
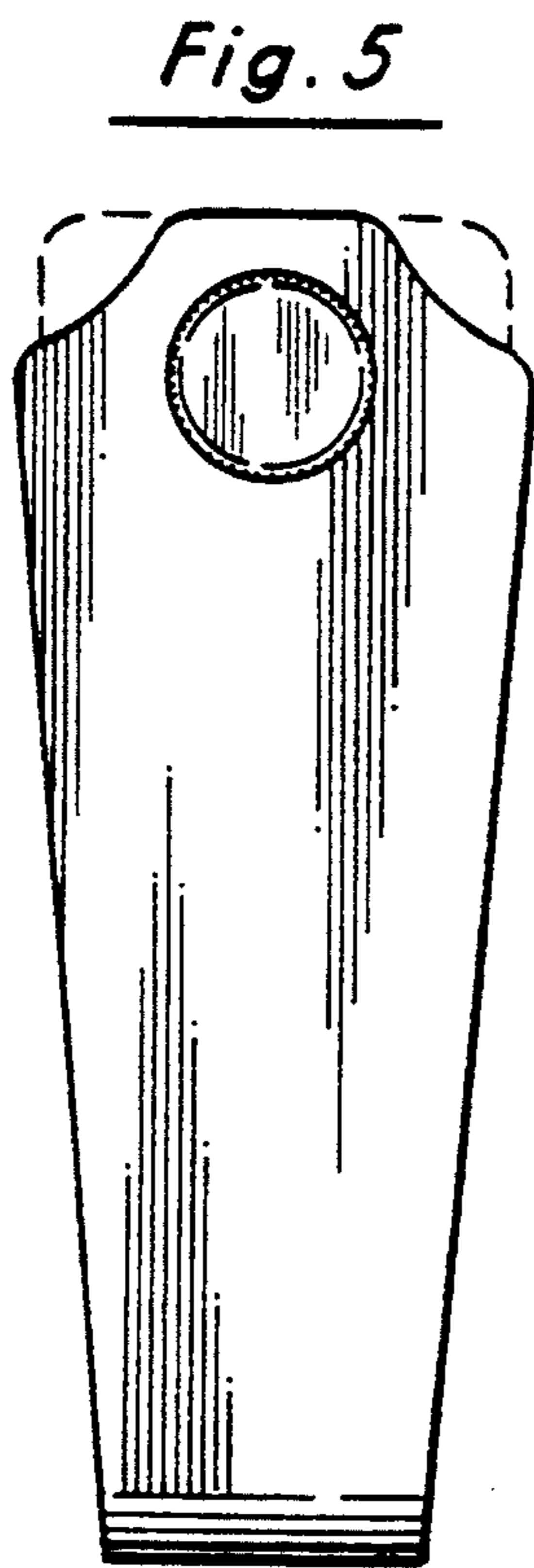
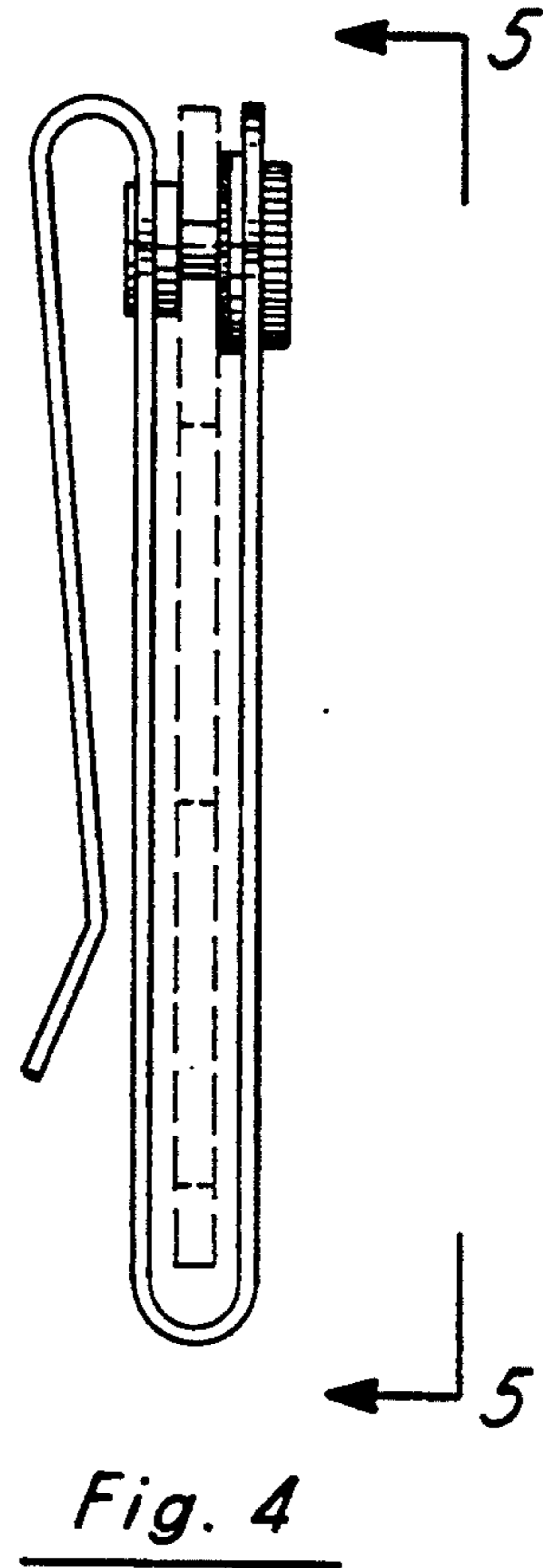
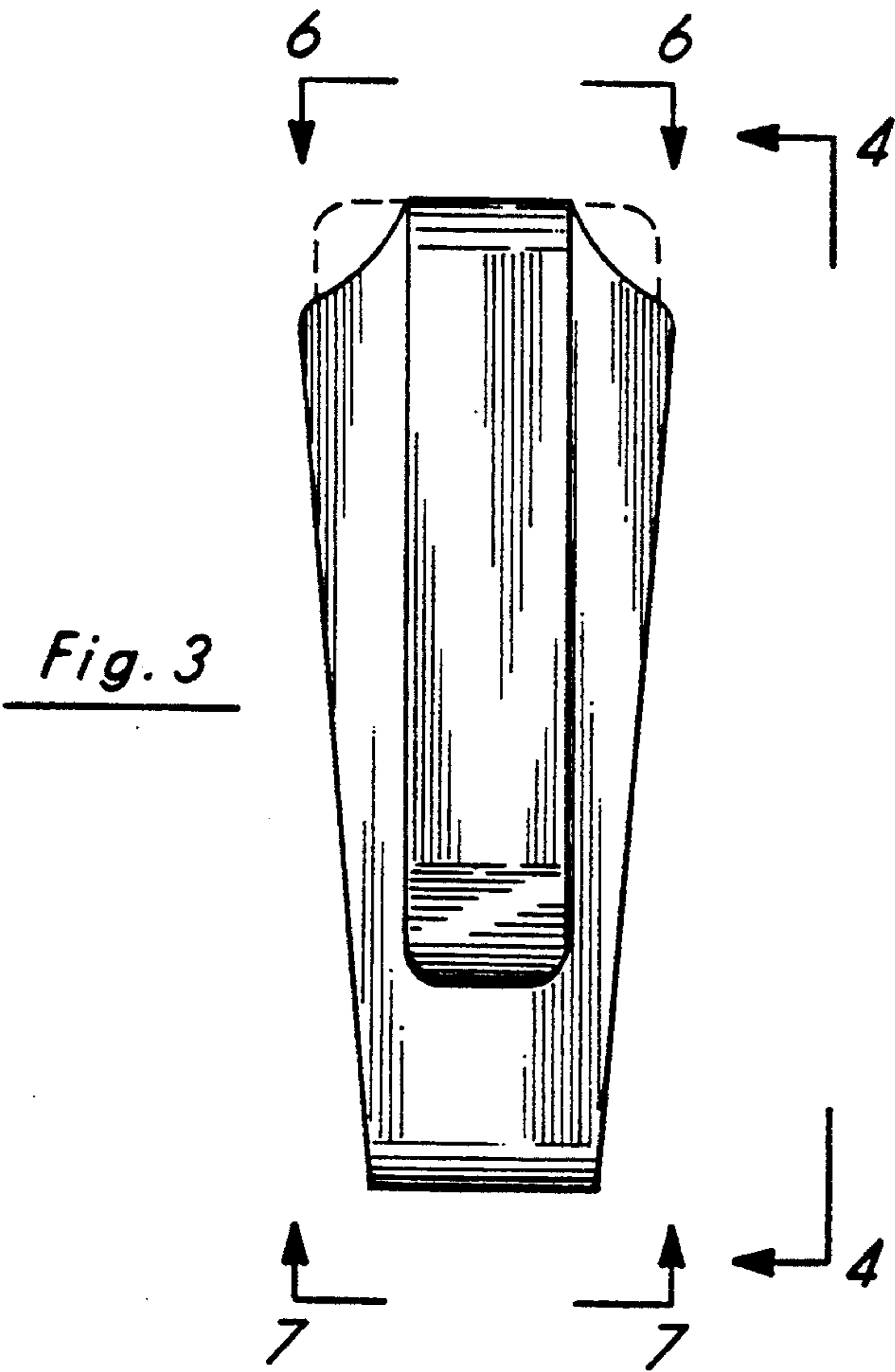


Fig. 2





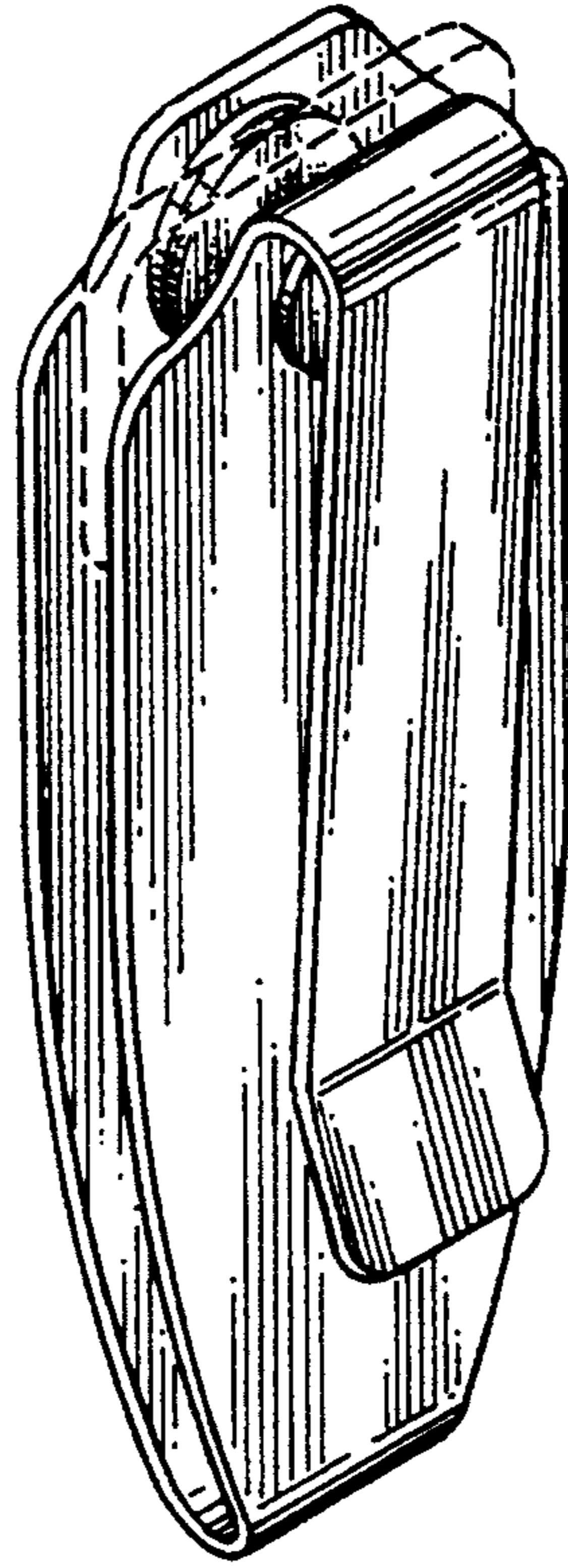


Fig. 8

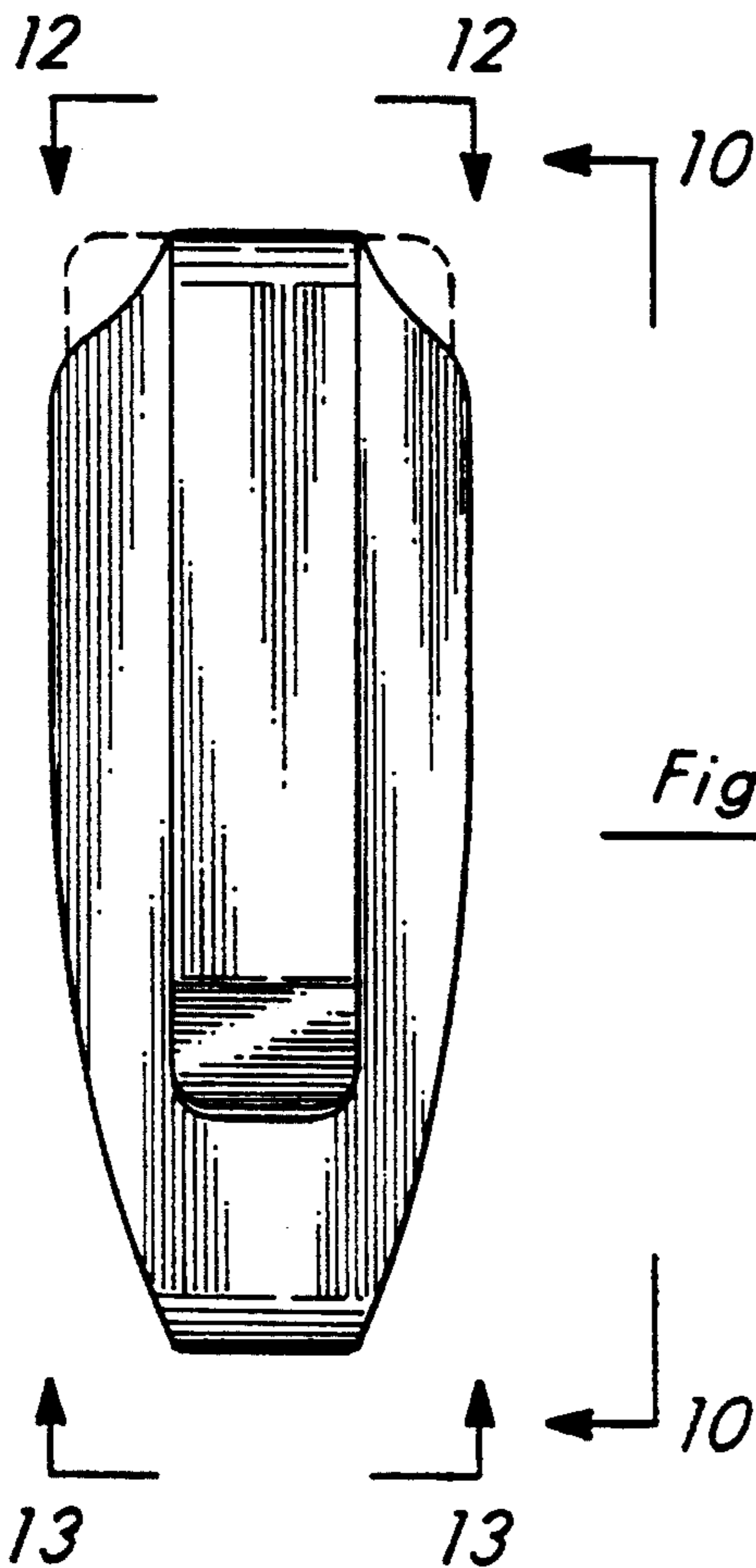


Fig. 9

Fig. 10

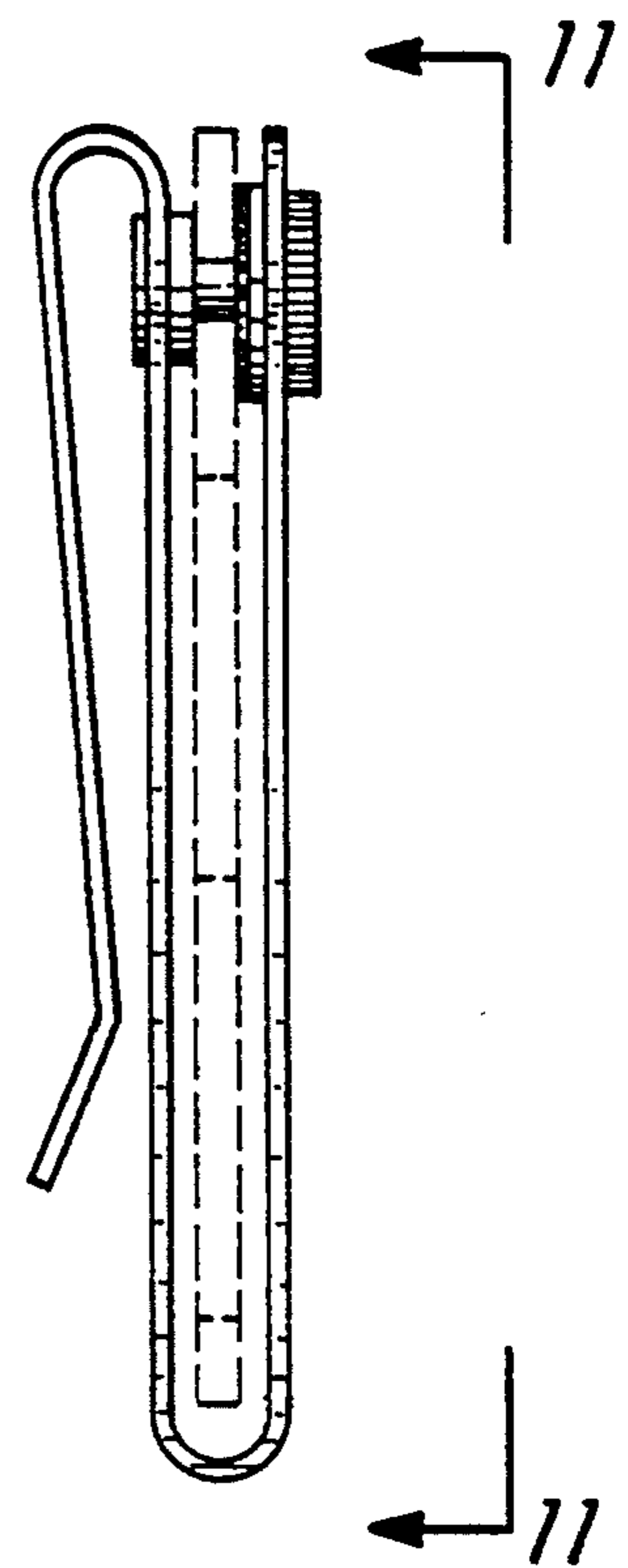


Fig. 11

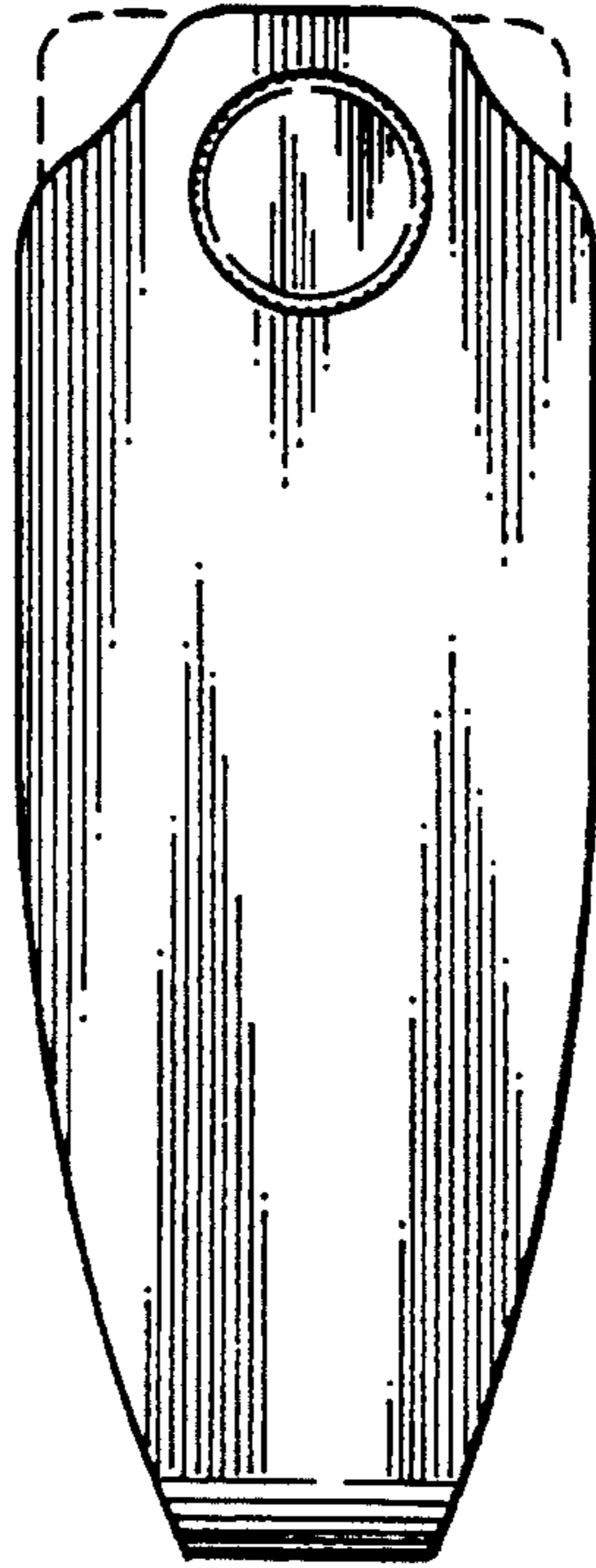


Fig. 12

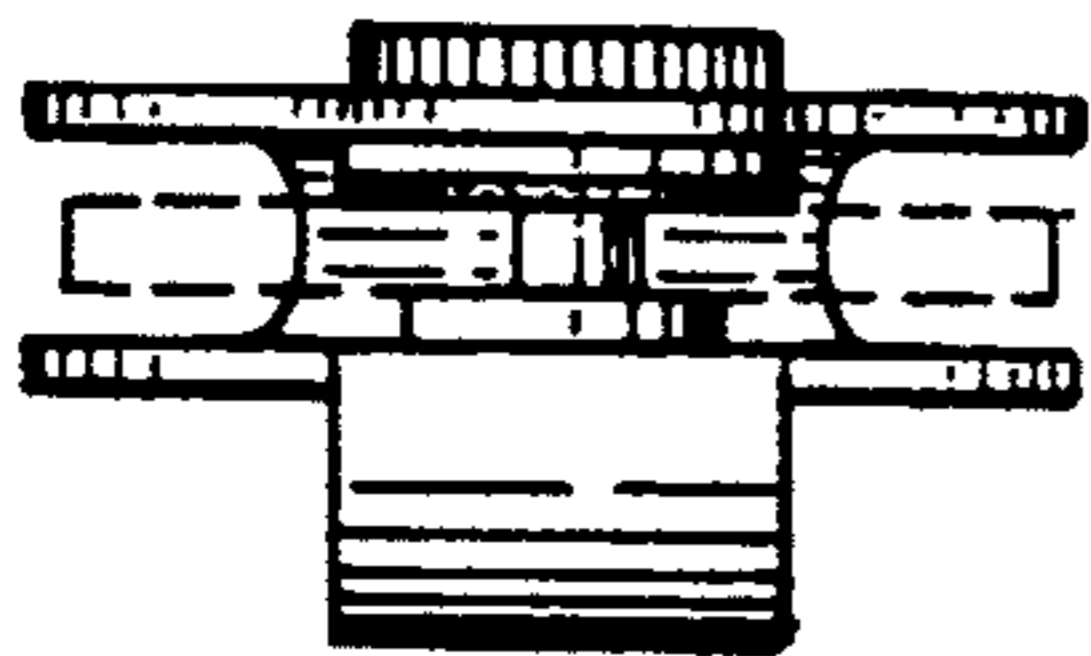


Fig. 13

