



US00D349385S

# United States Patent [19]

[11] Patent Number: **Des. 349,385**

Suggs, Sr.

[45] Date of Patent: **\*\* Aug. 2, 1994**

[54] **TIRE DOLLY**

[75] Inventor: **Donald R. Suggs, Sr., Denton, Tex.**

[73] Assignee: **Tire Shuttle, Inc., Elm Mott, Tex.**

[\*\*] Term: **14 Years**

[21] Appl. No.: **417**

[22] Filed: **Oct. 14, 1992**

[52] U.S. Cl. .... **D34/26; D34/24**

[58] Field of Search ..... 280/47.24, 47.29, 47.23,  
280/79.11, 53, 79.6, 402; 414/430, 428;  
248/129; D34/12, 24, 26

[56] **References Cited**

**U.S. PATENT DOCUMENTS**

D. 310,283	8/1990	Faykosh et al. ....	D34/15
1,892,979	1/1933	Clark .	
1,965,260	7/1934	Rosenberg .....	254/131
2,135,802	11/1938	Dinkins .....	280/53
2,207,443	7/1940	Schneider .....	254/131
2,345,458	3/1944	Caron .....	280/53
2,447,435	8/1948	Settle .....	214/65.4
2,483,908	10/1949	Jackson .....	214/65.4
2,546,509	3/1951	Huff .....	214/1
2,551,483	5/1951	Bartoe .....	254/8
2,613,084	10/1952	Burch .....	414/428
2,780,476	2/1957	Upchurch .....	248/129

2,877,912	3/1959	Di Giacomo .....	214/332
3,123,238	3/1964	McKelvey .....	214/332
3,126,111	3/1964	Lewis .....	D34/24
3,463,337	8/1969	Reznicek .....	214/332
3,735,882	5/1973	Reznicek .....	214/332

**OTHER PUBLICATIONS**

Myers Tire Supply Catalog No. 325, 1991 (pp. 144 and 158).

*Primary Examiner*—Kay H. Chin

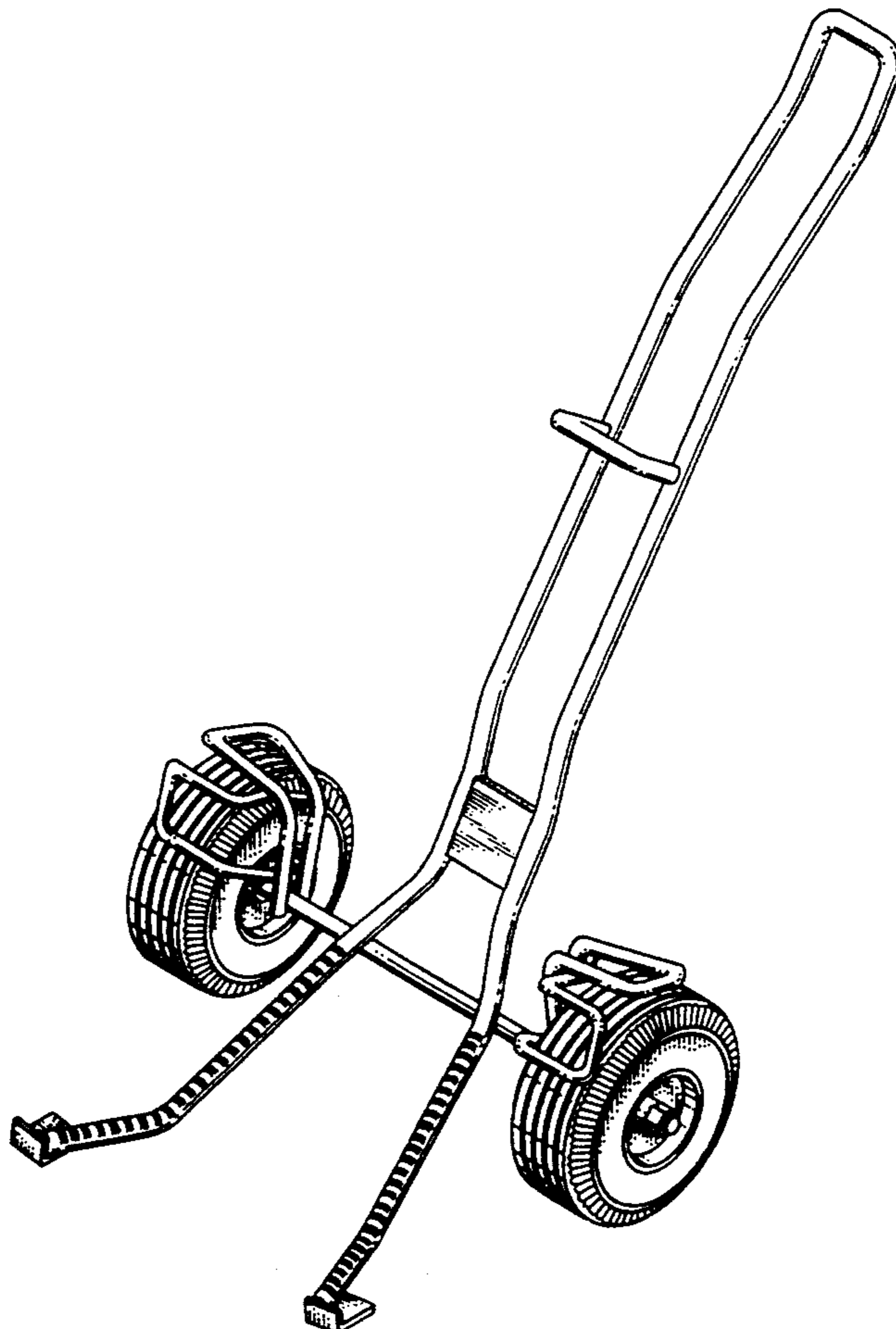
*Attorney, Agent, or Firm*—Guy V. Manning

[57] **CLAIM**

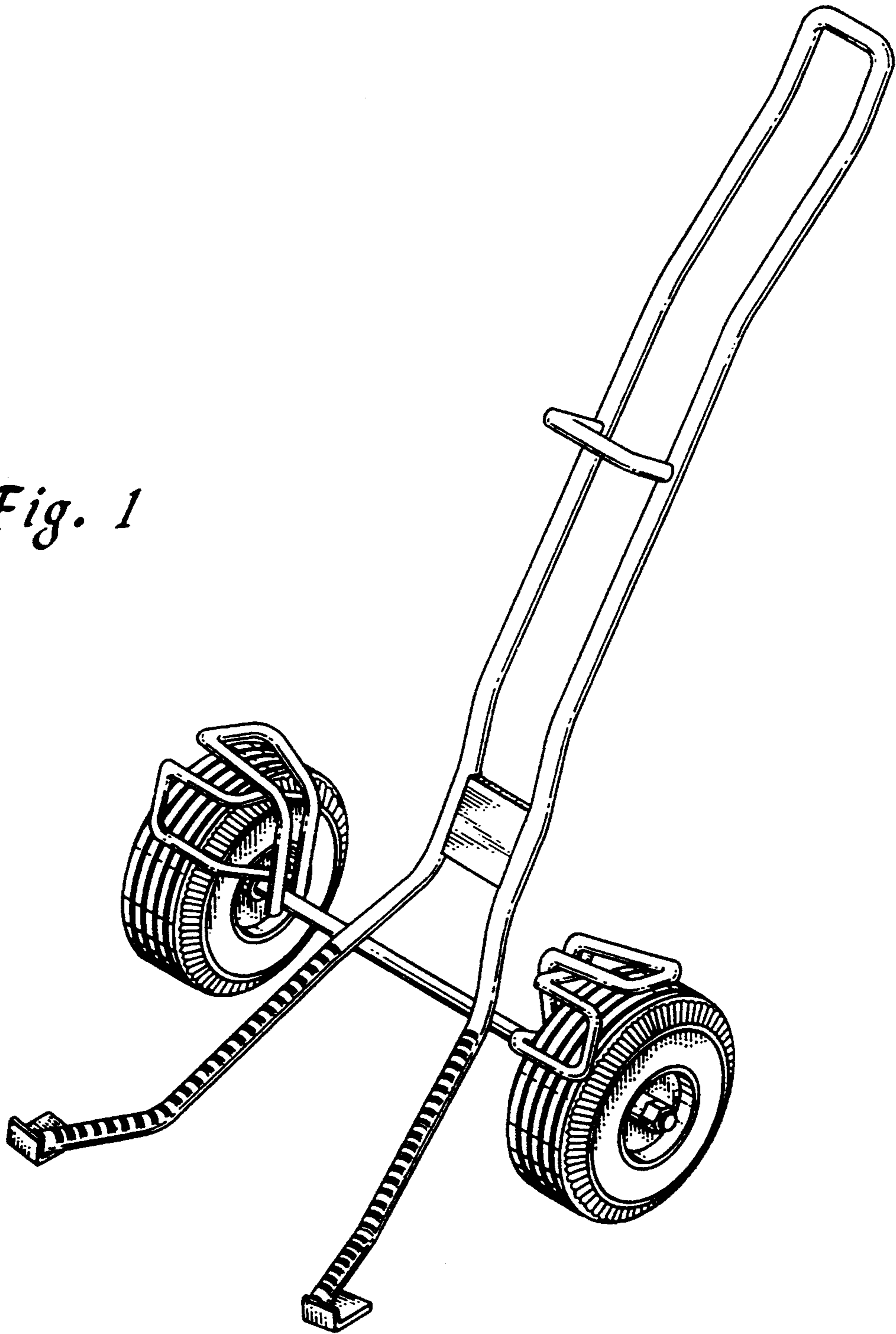
The ornamental design for a tire dolly, as shown and described.

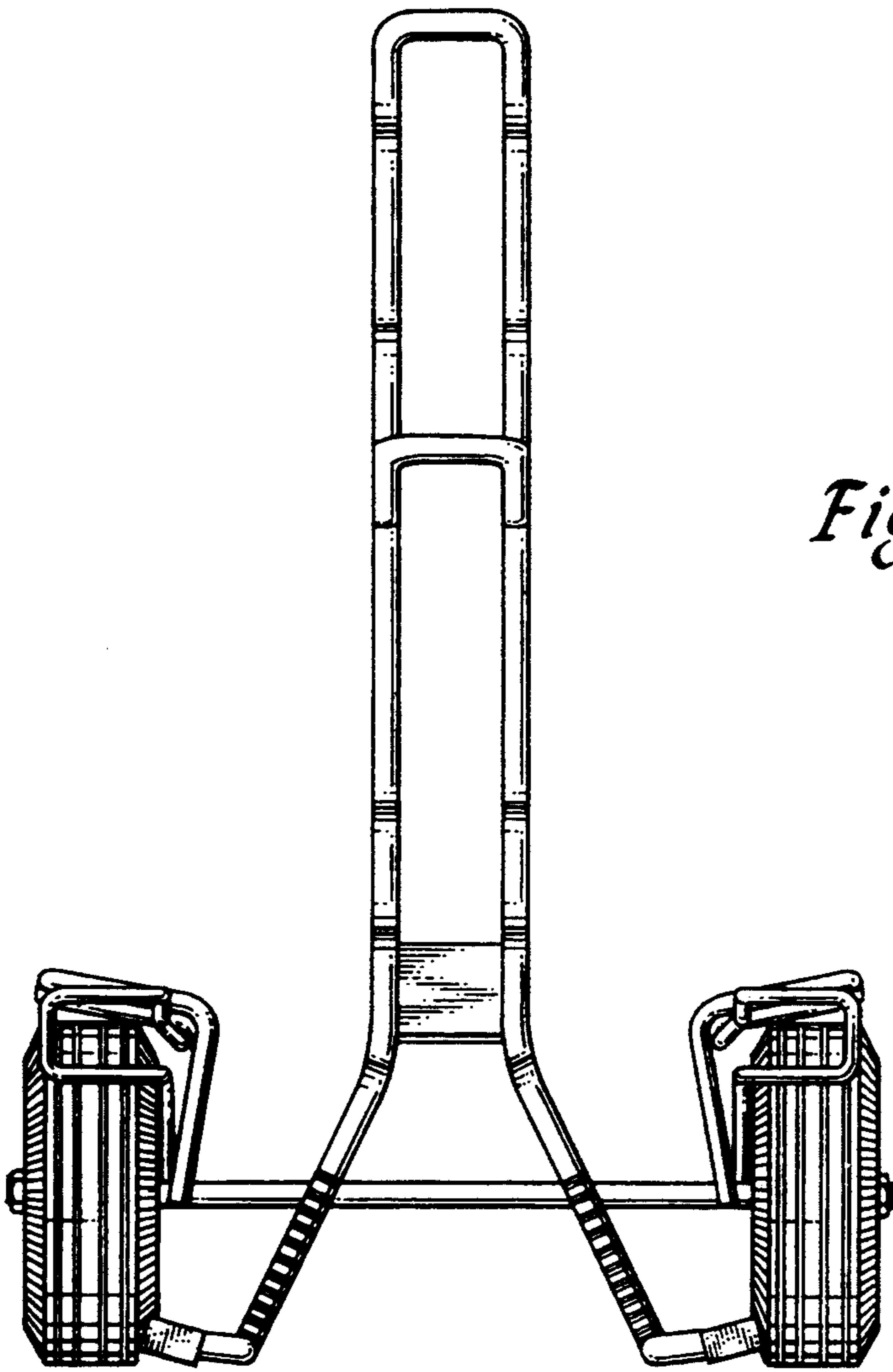
**DESCRIPTION**

FIG. 1 is a top and front perspective view of a tire dolly showing my new design;  
 FIG. 2 is a front elevational view thereof;  
 FIG. 3 is a right side elevational view thereof, the left side elevational view thereof being the mirror image of FIG. 3;  
 FIG. 4 is a rear elevational view of the tool shown in FIG. 2;  
 FIG. 5 is a top plan view thereof; and,  
 FIG. 6 is a bottom plan view thereof.

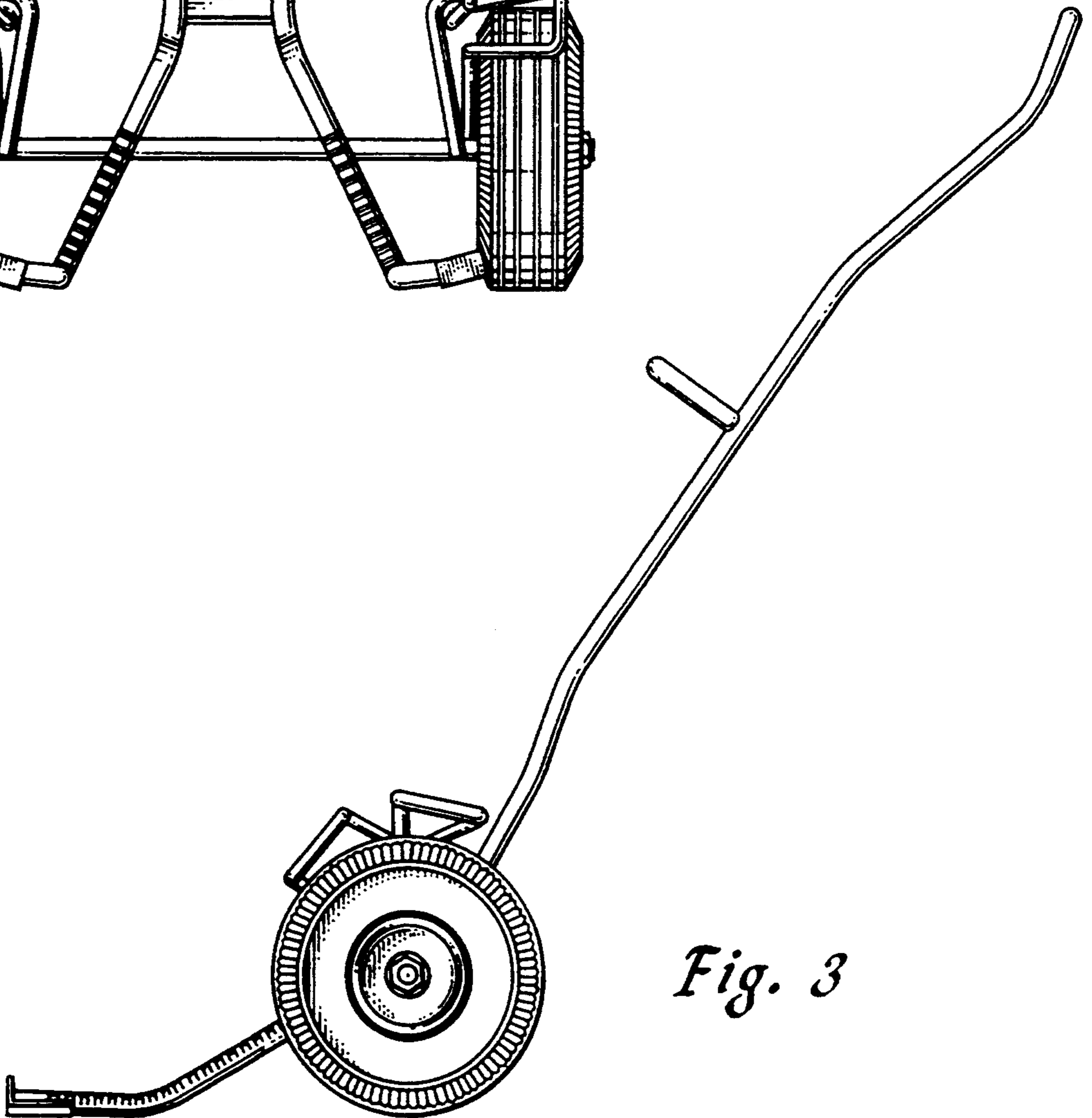


*Fig. 1*

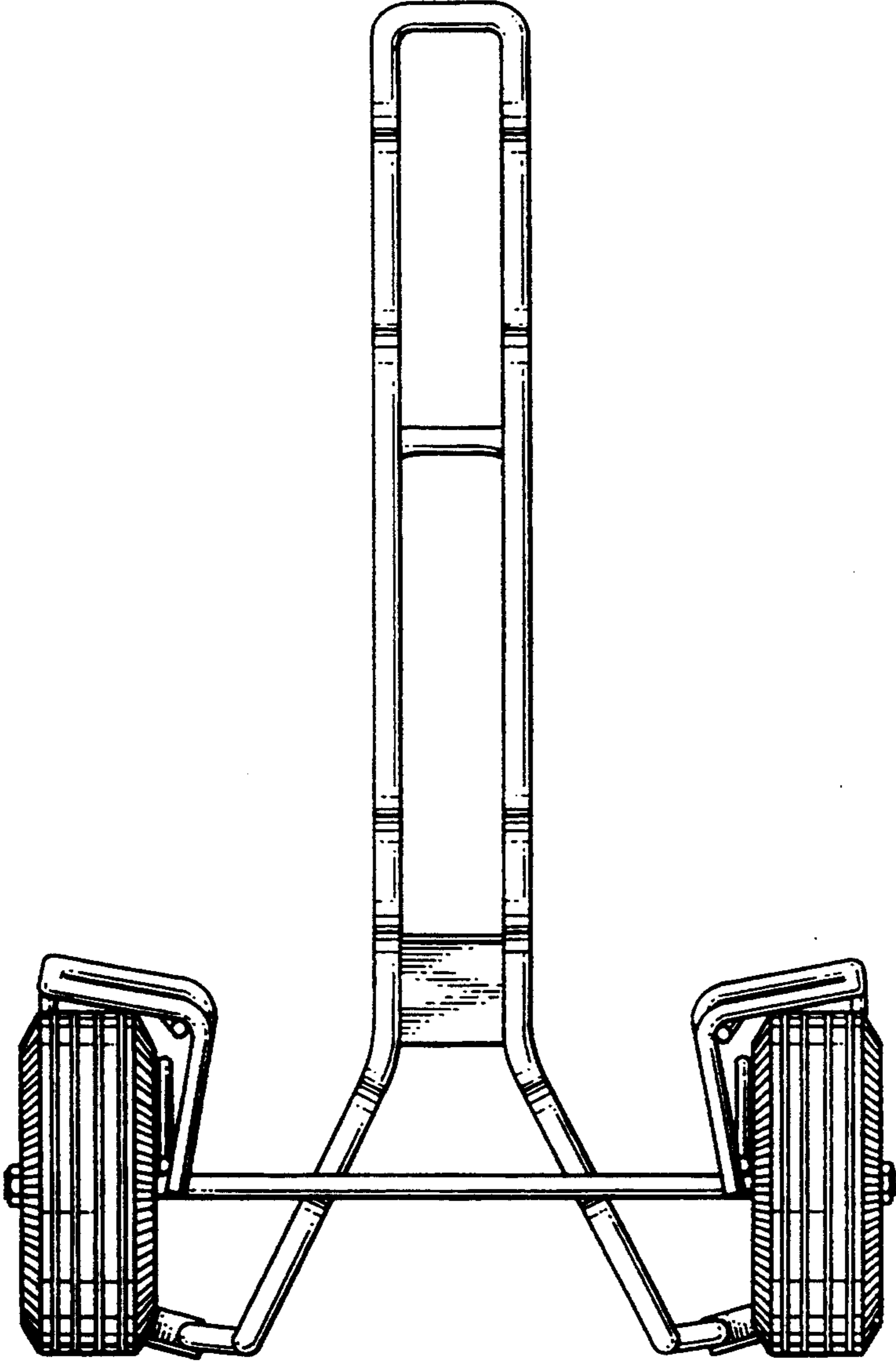




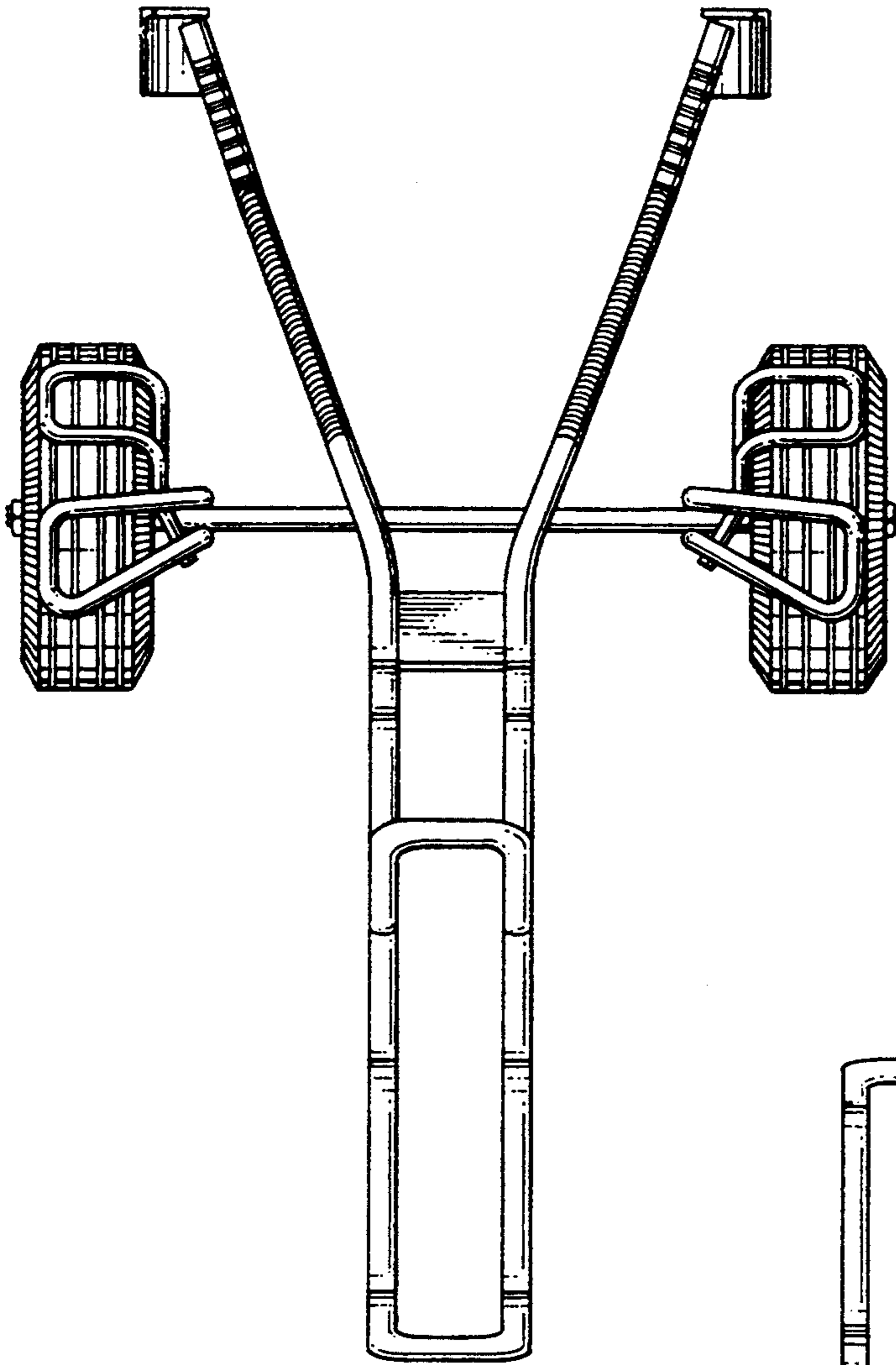
*Fig. 2*



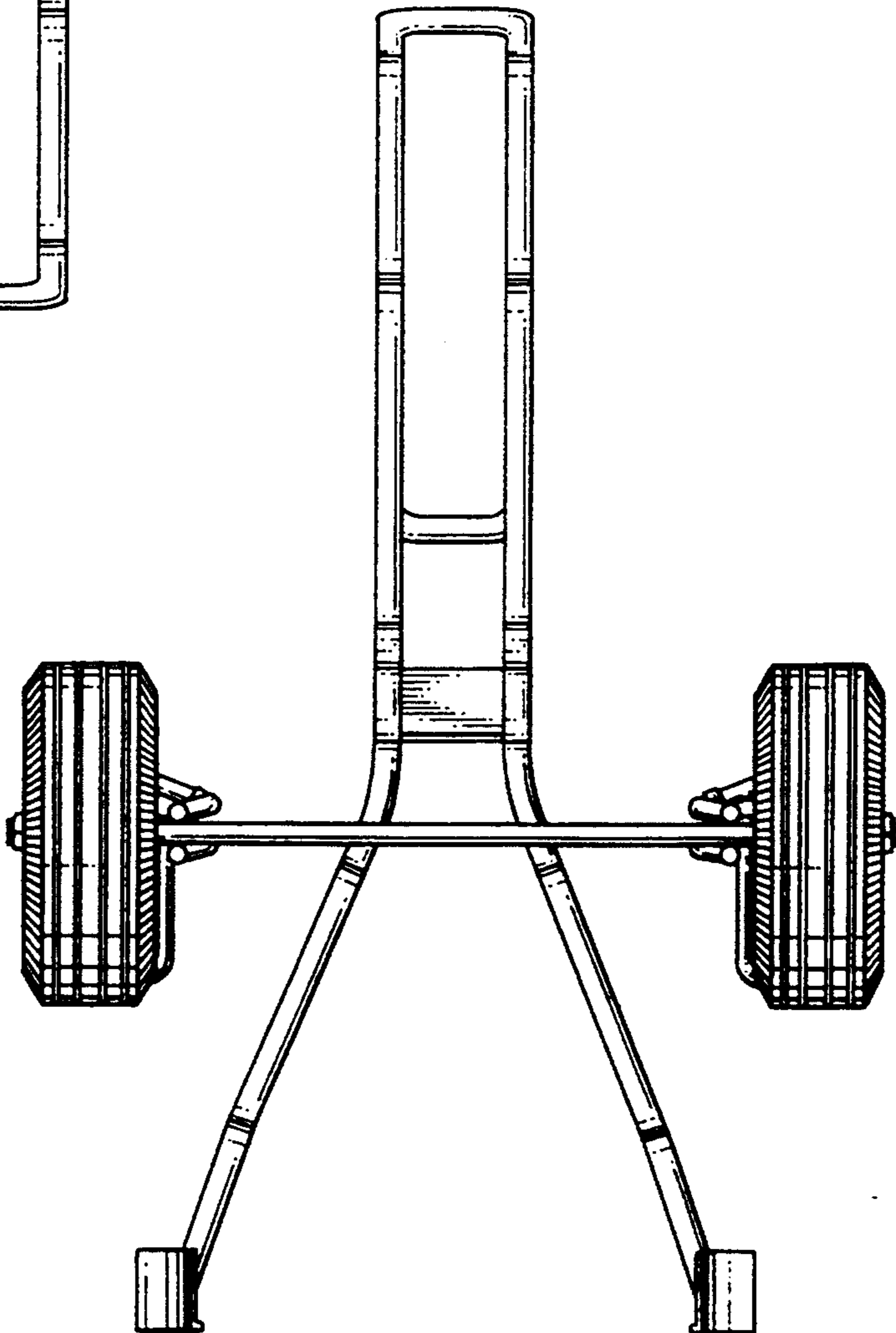
*Fig. 3*



*Fig. 4*



*Fig. 5*



*Fig. 6*