



US00D349378S

# United States Patent [19]

[11] Patent Number: **Des. 349,378**

**Simmon**

[45] Date of Patent: **\*\* Aug. 2, 1994**

[54] **ELECTRIC IRON**

[75] Inventor: **Sean Simmon, Sea Cliff, N.Y.**

[73] Assignee: **The Singer Company, N.V., Curacao, Netherlands Antilles**

[\*\*] Term: **14 Years**

[21] Appl. No.: **112**

[22] Filed: **Oct. 2, 1992**

[52] U.S. Cl. .... **D32/70**

[58] Field of Search ..... **38/74, 77.1, 77.4-77.8, 38/77.83, 77.9, 82, 85, 88, 90-93; 219/245, 248, 258; D32/68-72**

D. 326,941 6/1992 Classen ..... D32/70  
 D. 327,150 6/1992 Gudefin et al. .... D32/70  
 D. 334,829 3/1994 Levin ..... D32/70

*Primary Examiner*—Wallace R. Burke  
*Assistant Examiner*—Lavone D. Tabor

### [57] CLAIM

The ornamental design for an electric iron, as shown and described.

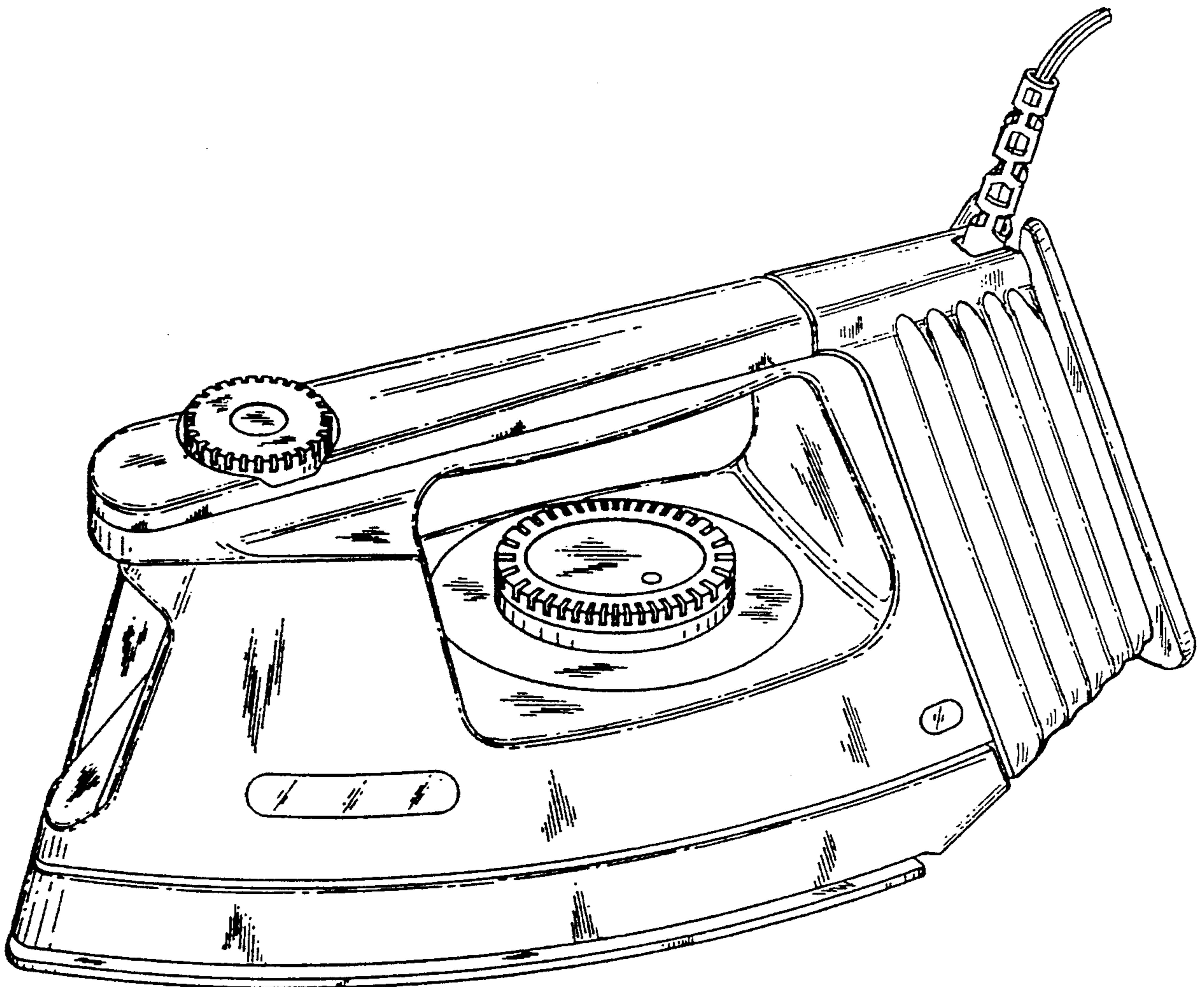
### DESCRIPTION

FIG. 1 is a front perspective view of an electric iron; FIG. 2 is an enlarged top view thereof; FIG. 3 is a bottom view thereof; FIG. 4 is a front view thereof; FIG. 5 is a rear view thereof; FIG. 6 is a left side view thereof, with the partially shown electric cord placed in an alternate position; and, FIG. 7 is a right side view thereof.

[56] **References Cited**

**U.S. PATENT DOCUMENTS**

D. 291,130 7/1987 Brun ..... D32/70  
 D. 302,060 7/1989 Barrault ..... D32/70



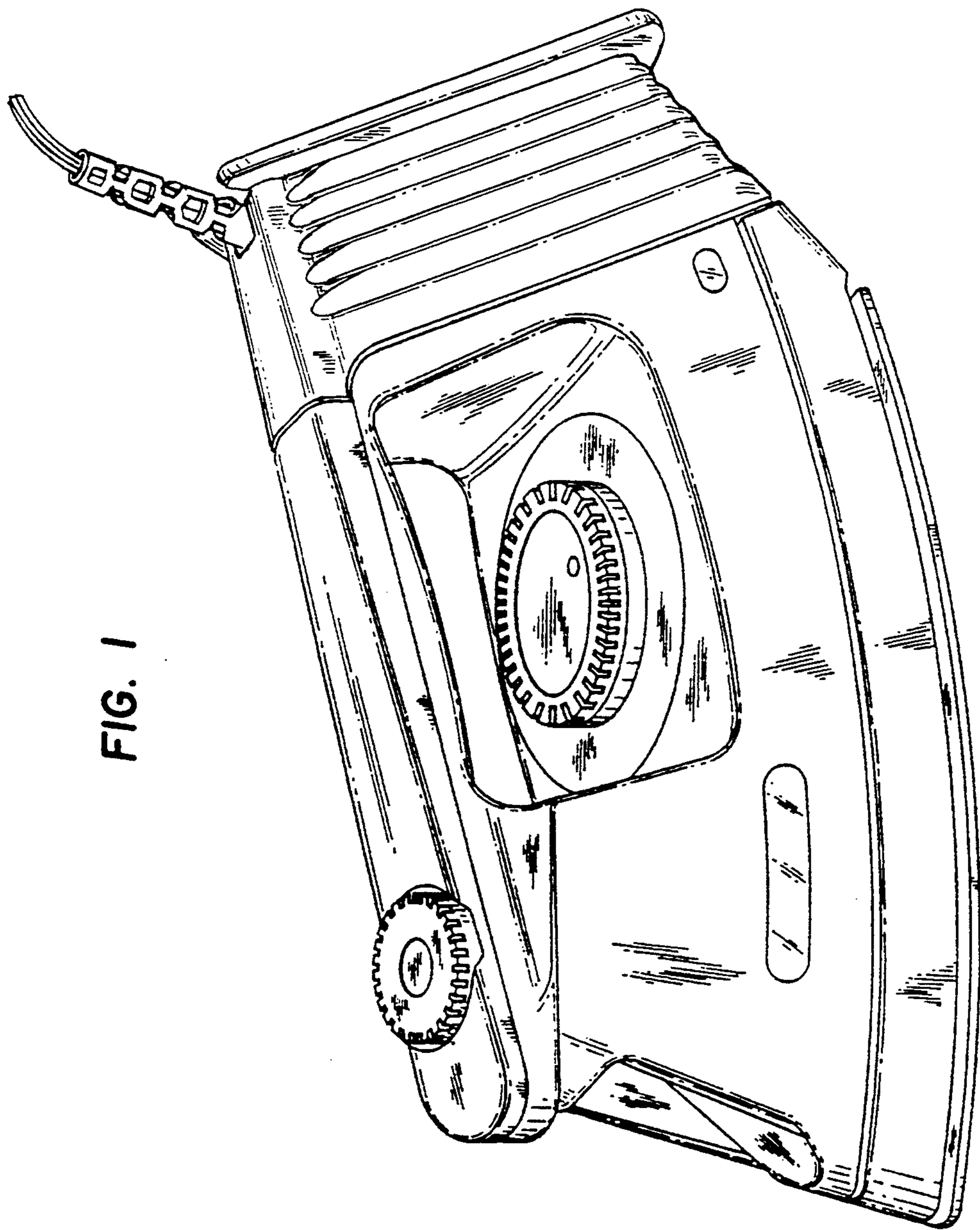


FIG. 1

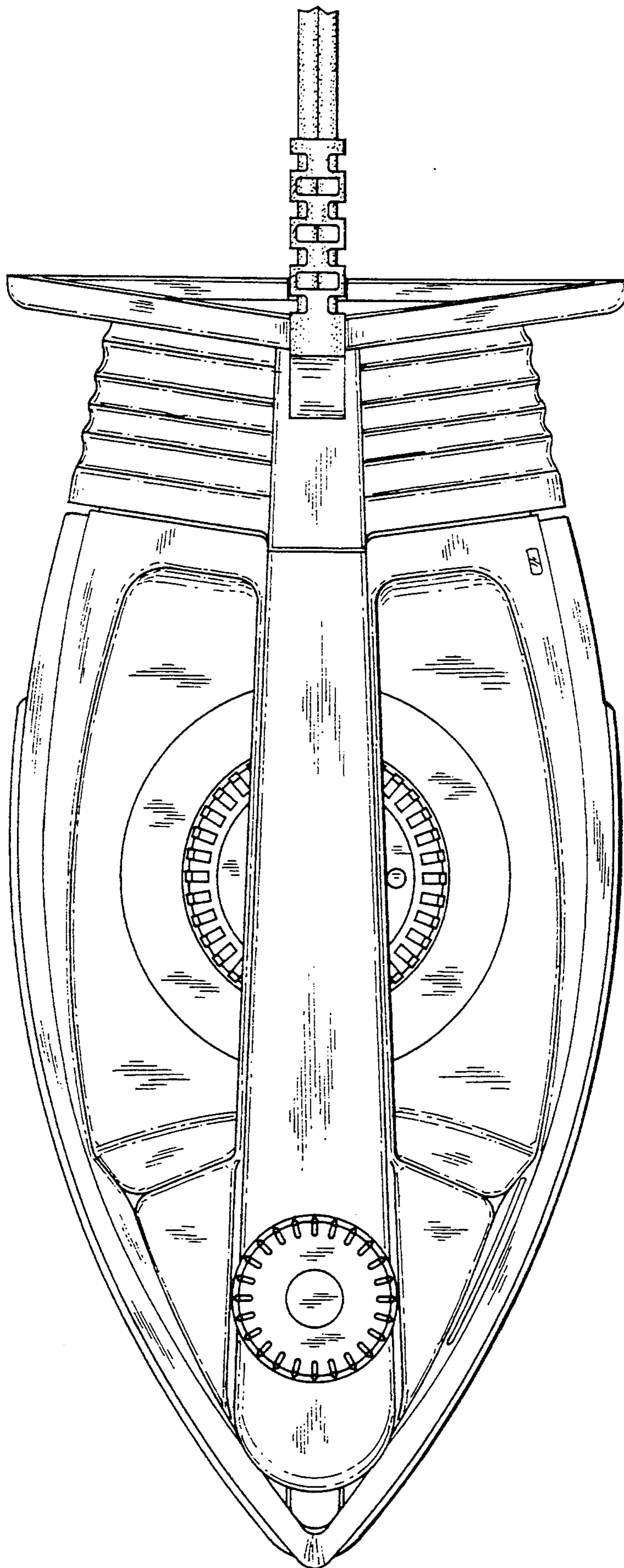
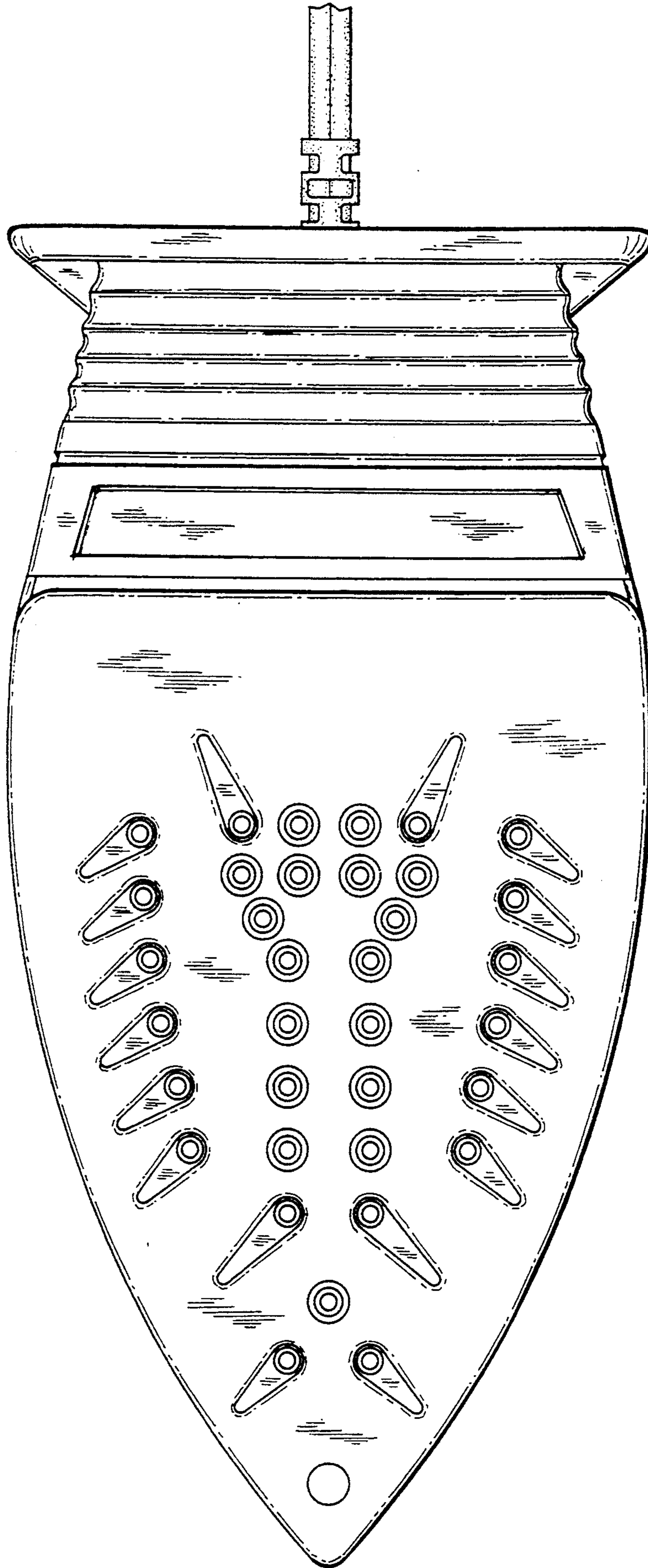


FIG. 2

FIG. 3



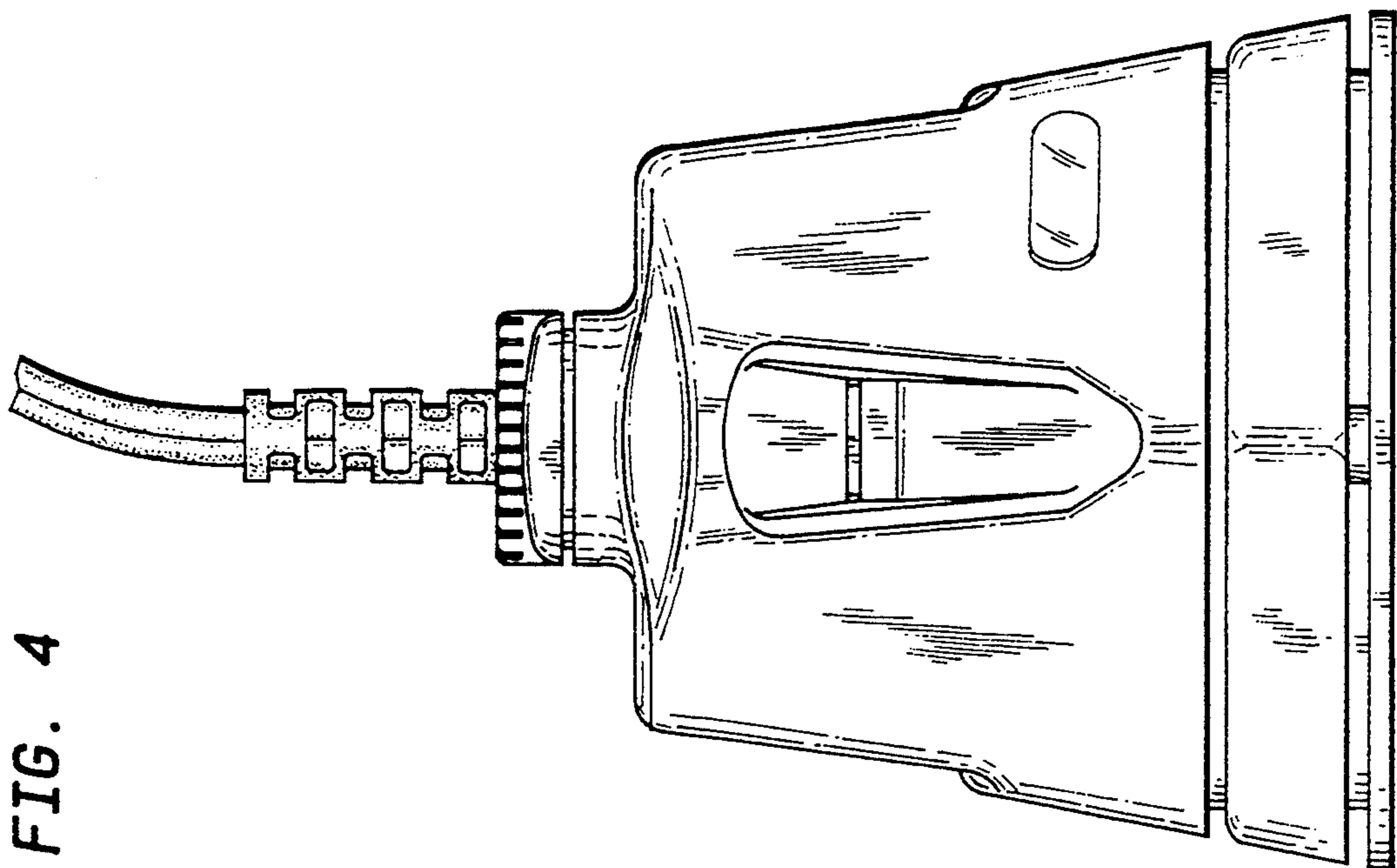
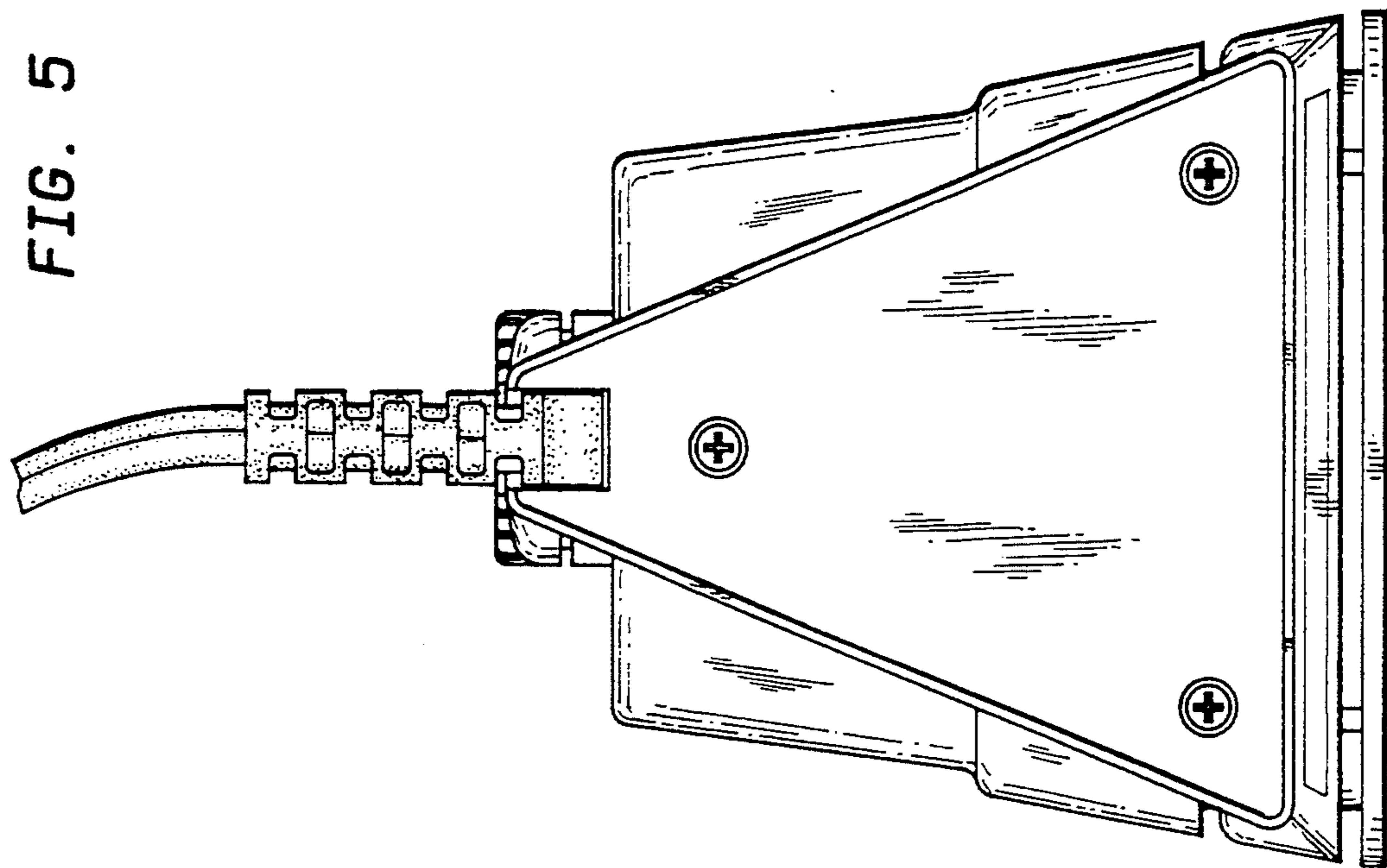


FIG. 6

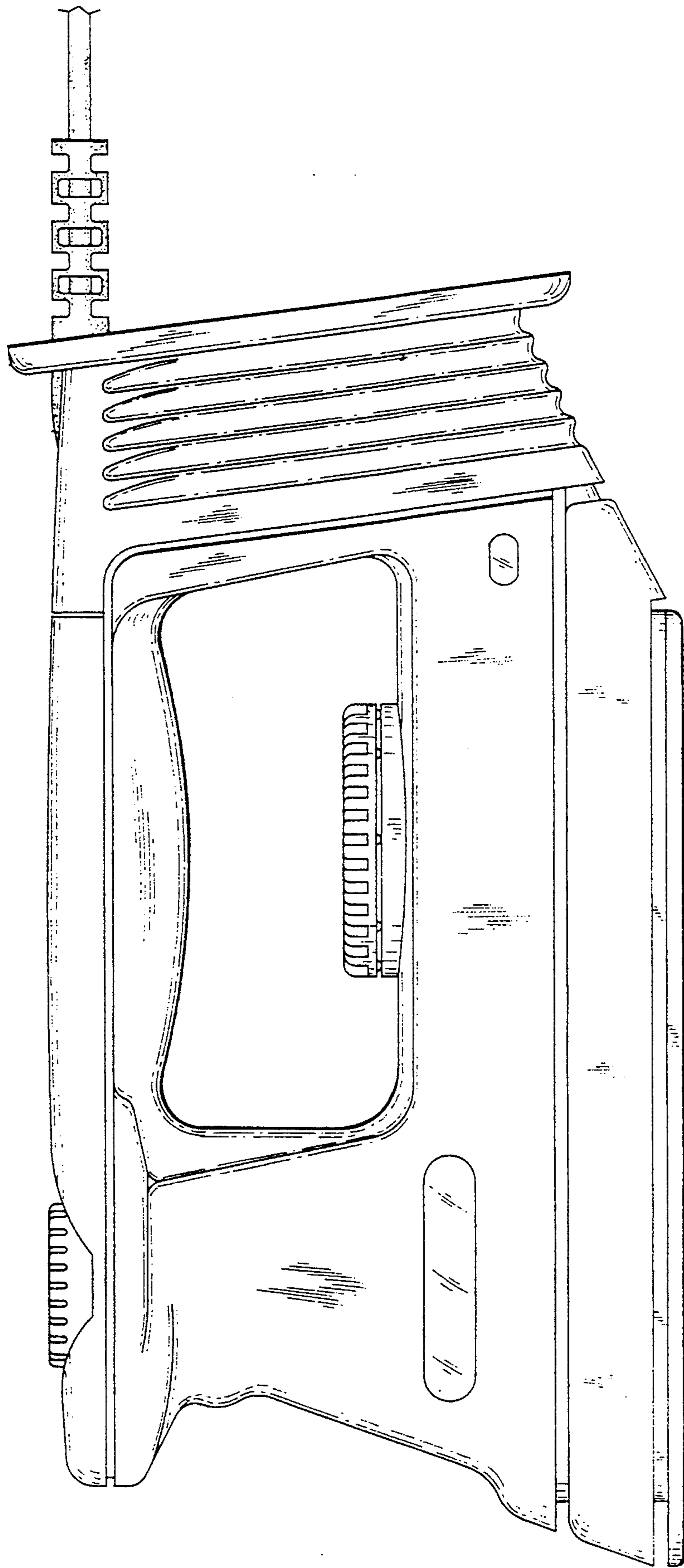


FIG. 7

