



US00D349376S

United States Patent [19]

[11] Patent Number: **Des. 349,376**

Hankey, Sr.

[45] Date of Patent: **** Aug. 2, 1994**

[54] HANDLE FOR PAINT ROLLER PAN

[76] Inventor: **Richard A. Hankey, Sr.**, 23 Emerson Rd., Medfield, Mass. 020253

[**] Term: **14 Years**

[21] Appl. No.: **872,655**

[22] Filed: **Apr. 23, 1992**

[52] U.S. Cl. **D32/53.1**

[58] Field of Search 15/248.2; 206/515, 518, 206/557; 220/570, 571; D8/303, DIG. 1; D32/53, 53.1, 54; D12/178

[56] **References Cited**

U.S. PATENT DOCUMENTS

D. 324,118 2/1992 Martin D32/53
3,731,840 5/1973 Beutler et al. 220/570

Primary Examiner—Wallace R. Burke

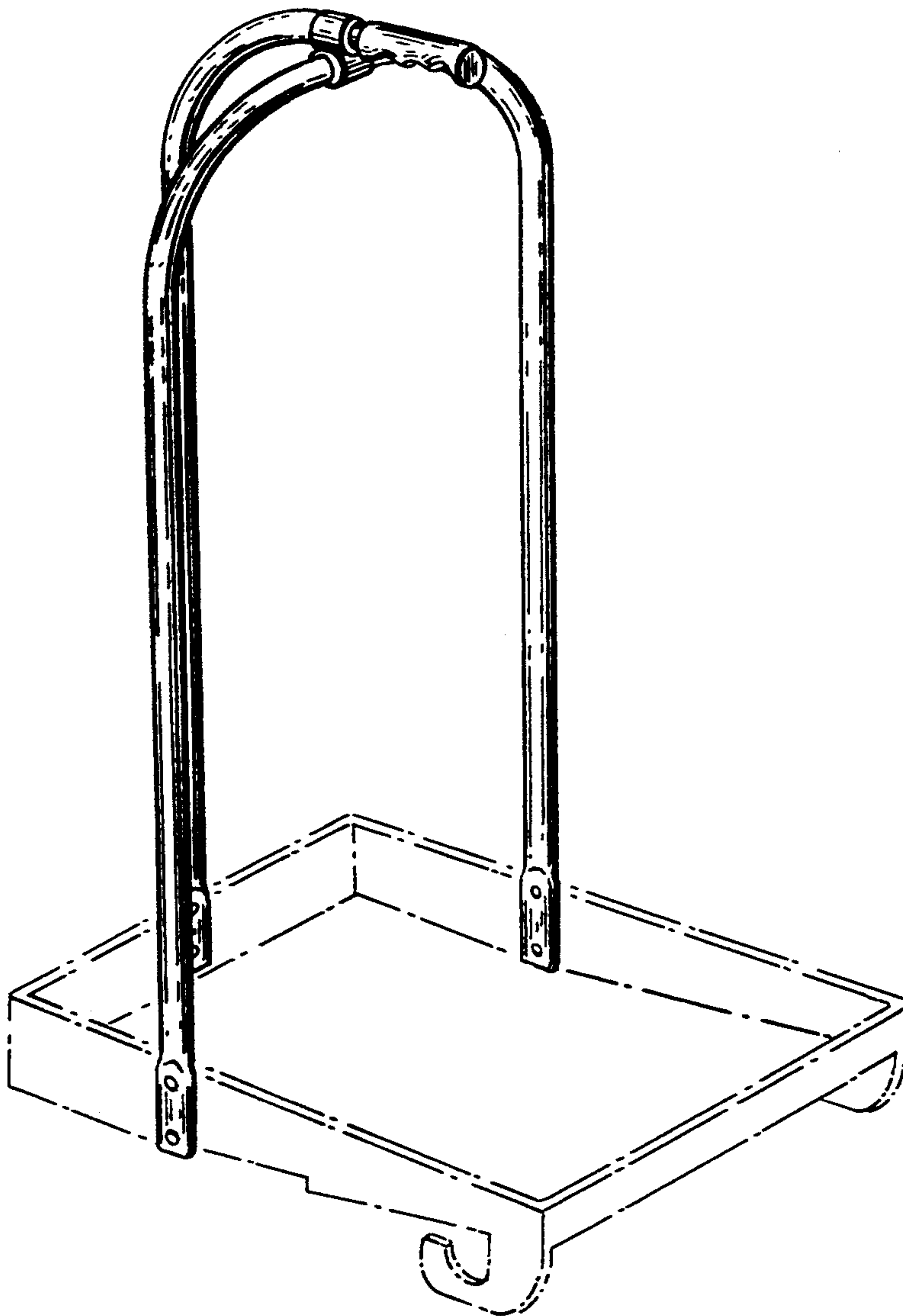
Assistant Examiner—Robin V. Taylor
Attorney, Agent, or Firm—Samuels, Gauthier & Stevens

[57] **CLAIM**

The ornamental design for a handle for paint roller pan, as shown and described.

DESCRIPTION

FIG. 1 is a side perspective view of a handle for a paint roller pan showing my new design;
FIG. 2 is a side elevational view thereof;
FIG. 3 is a front elevational view as seen from the right side thereof;
FIG. 4 is a rear elevational view as seen from the left side thereof;
FIG. 5 is a top plan view thereof; and,
FIG. 6 is a bottom plan view thereof.
The broken line showing of the paint roller pan is for illustrative purposes only and forms no part of the claimed design.



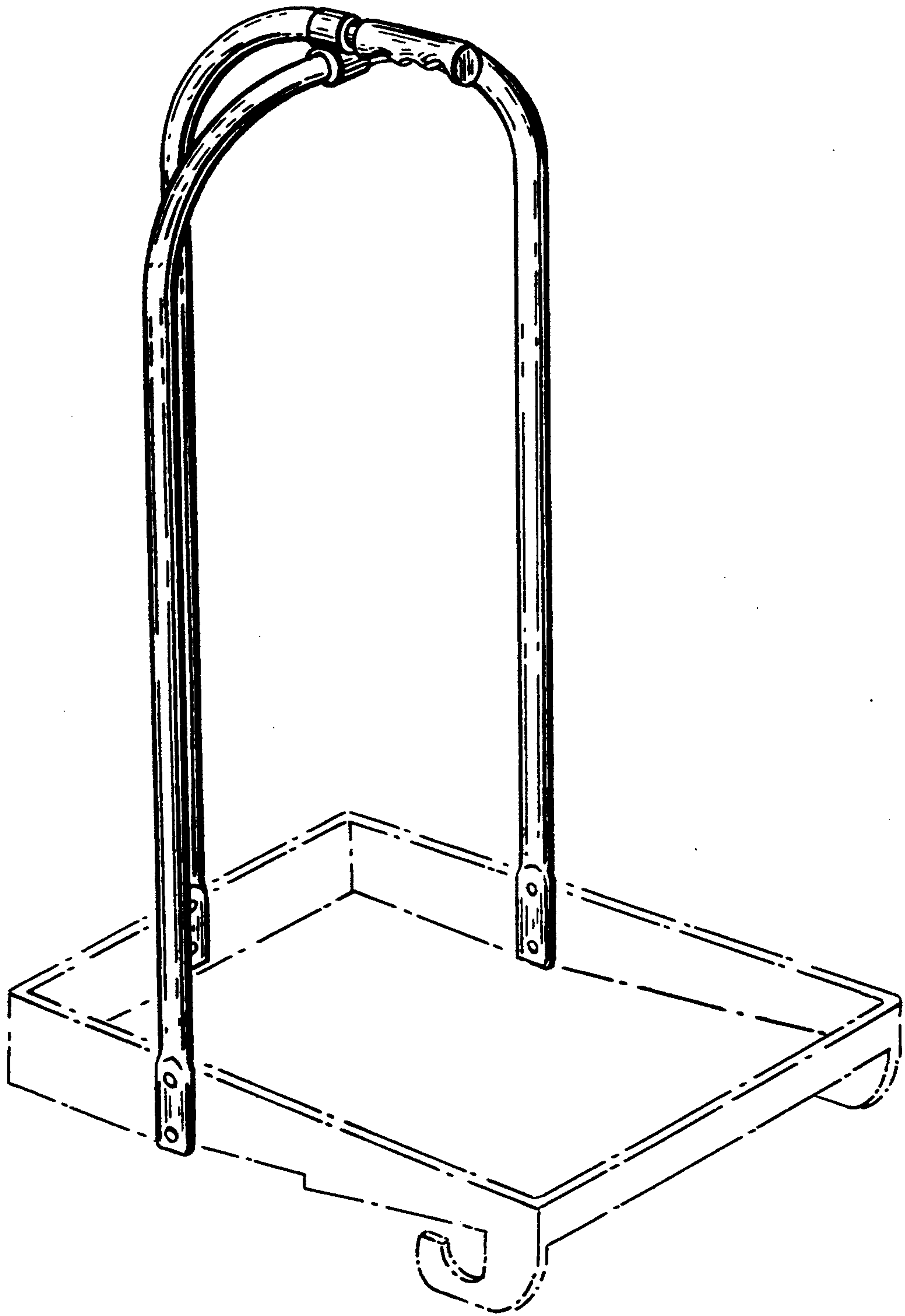


FIG. 1

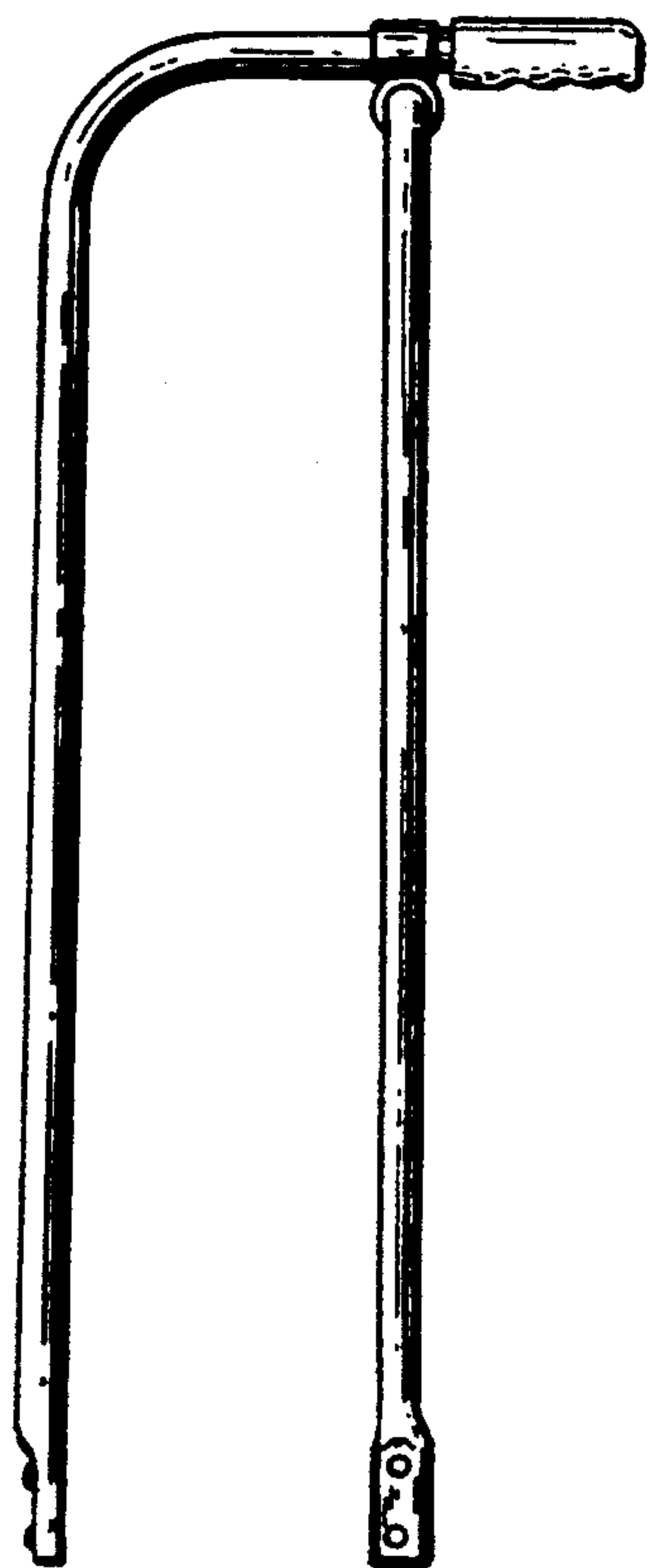


FIG. 2

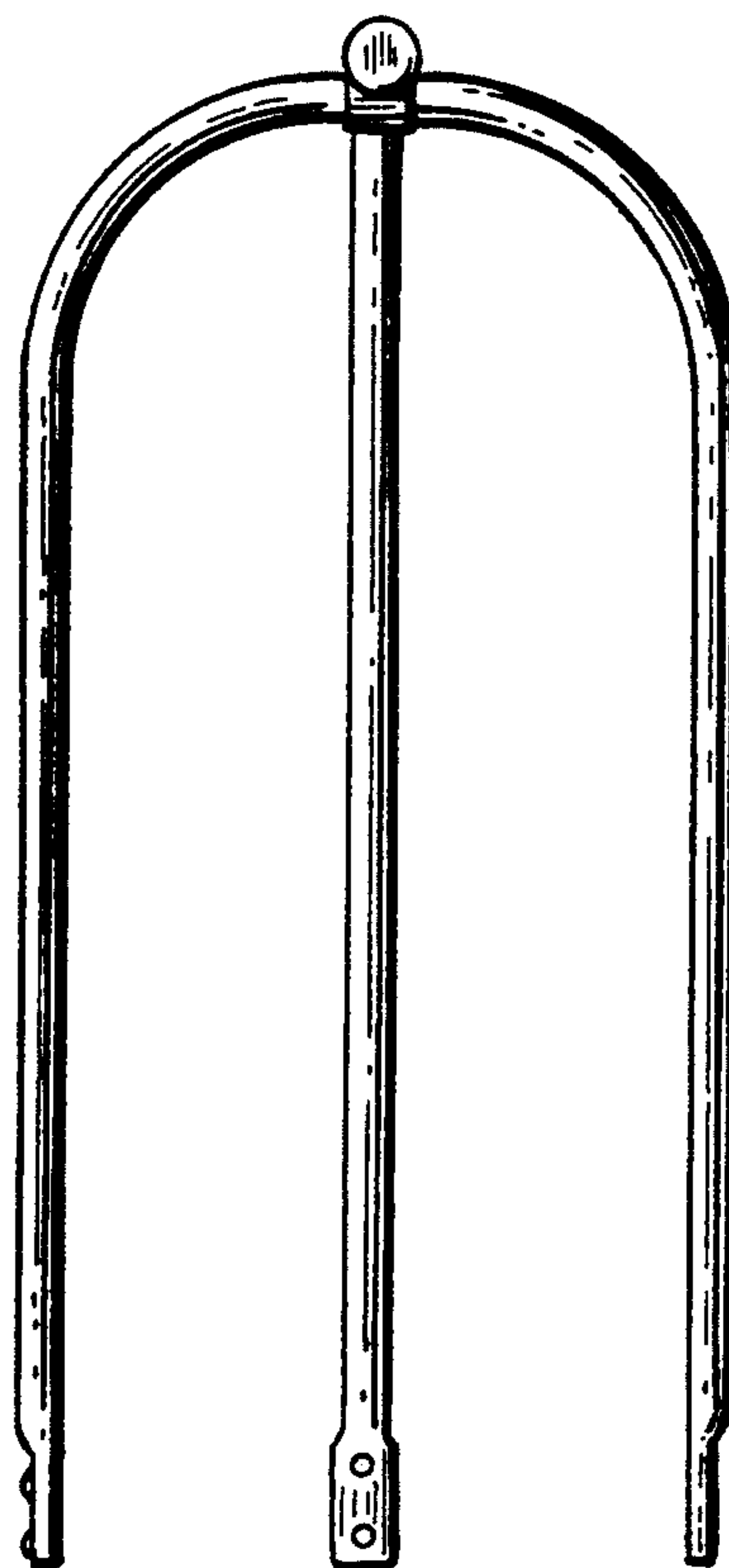


FIG. 3

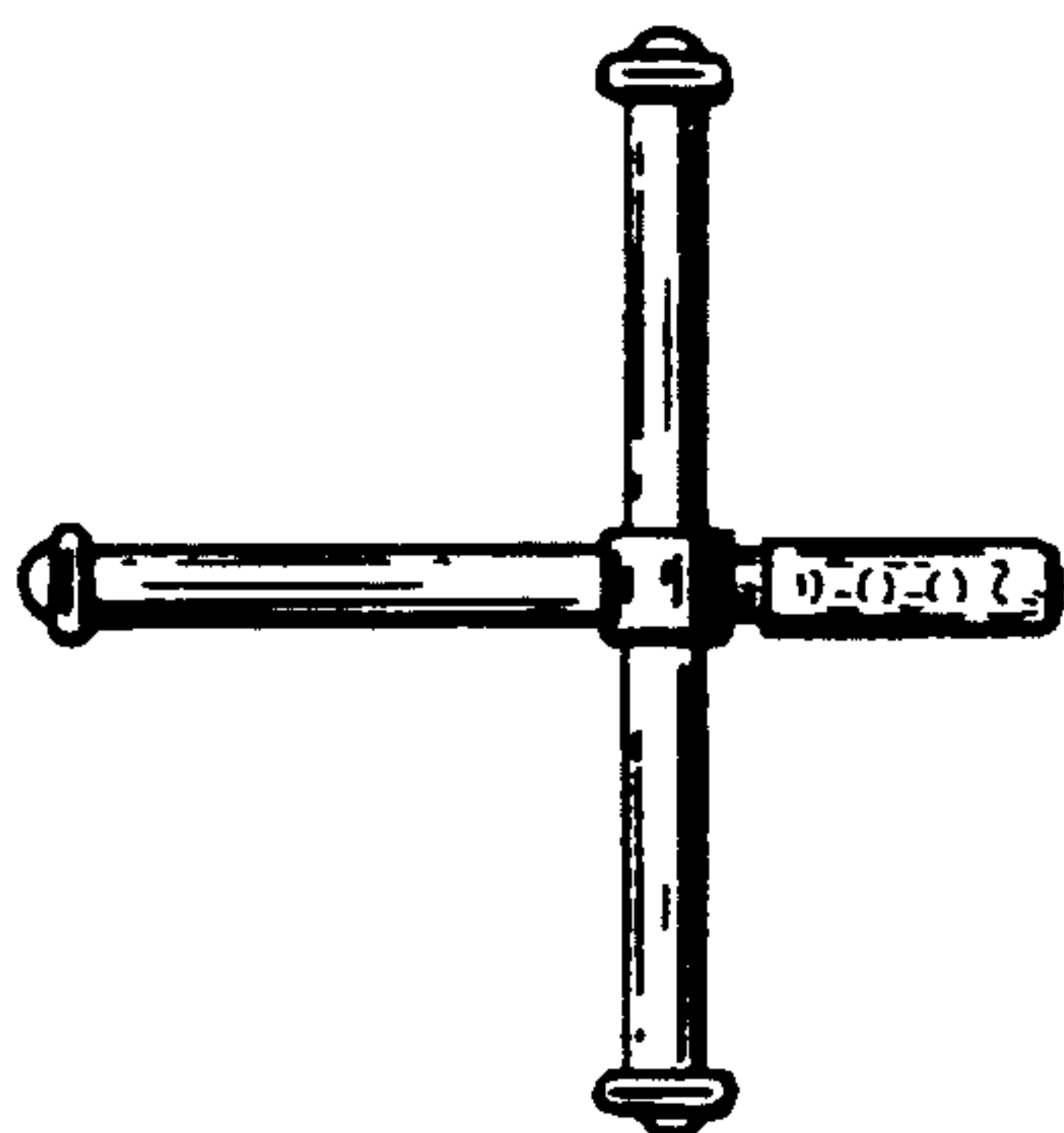


FIG. 6

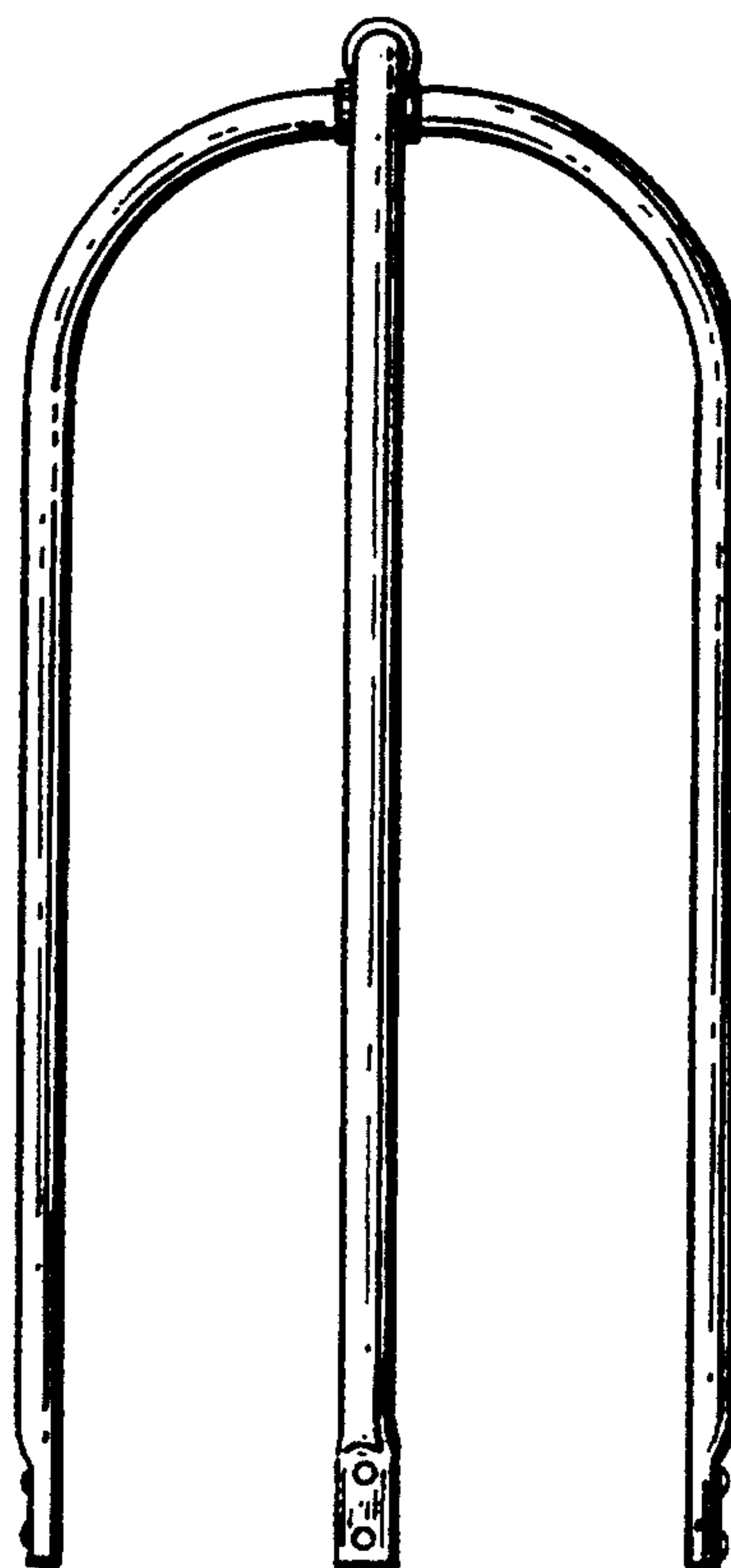
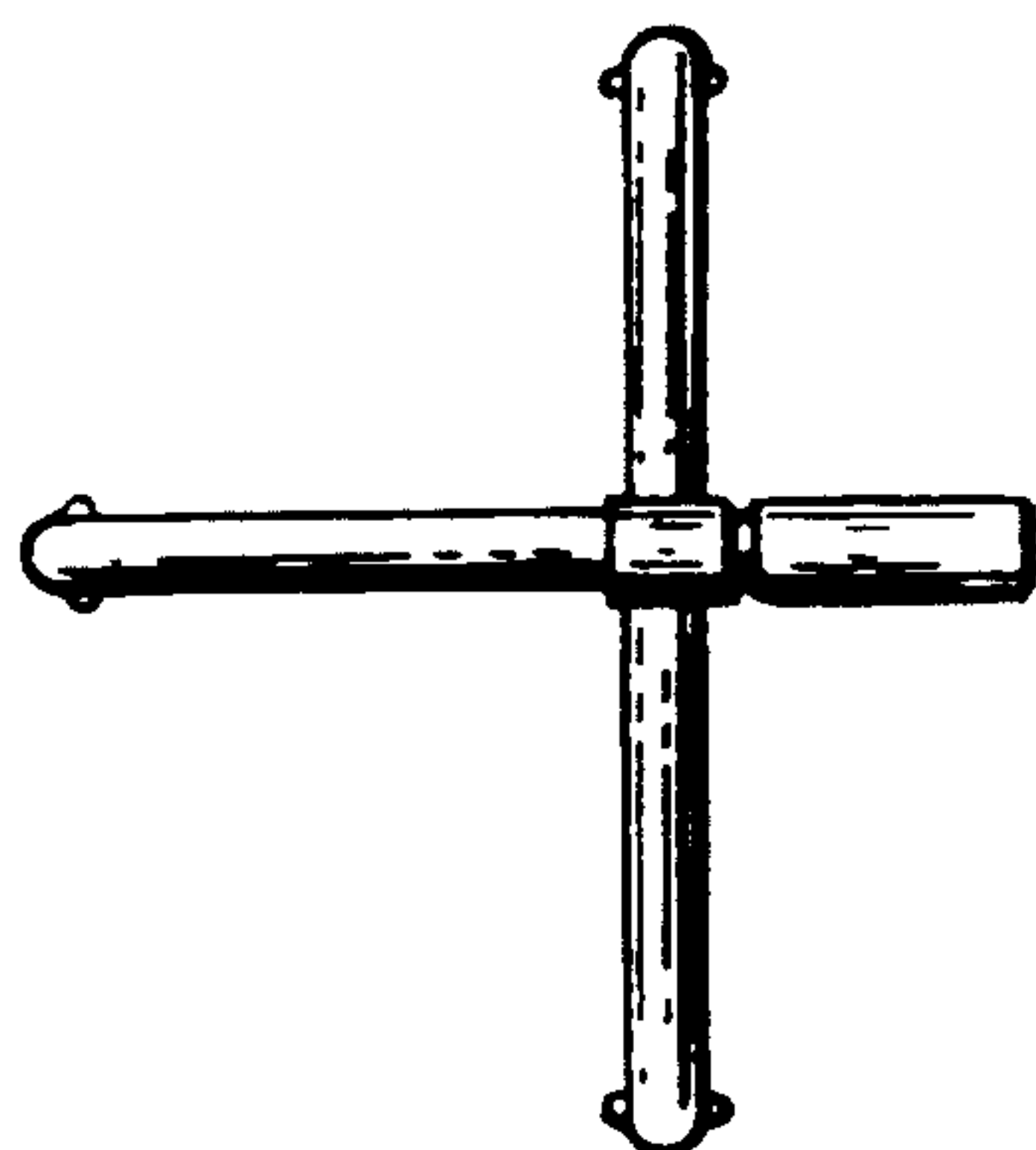


FIG. 4