



US00D349370S

United States Patent [19]

[11] Patent Number: **Des. 349,370**

Salo et al.

[45] Date of Patent: **** Aug. 2, 1994**

[54] **SUCTION TERMINAL HOUSING FOR A CENTRAL VACUUM CLEANER SYSTEM**

[75] Inventors: **Heikki Salo, Turku; Pekka Nurmi, Espoo, both of Finland**

[73] Assignee: **AKP-Tekno Oy, Finland**

[**] Term: **14 Years**

[21] Appl. No.: **482,322**

[22] Filed: **Feb. 15, 1990**

[30] **Foreign Application Priority Data**

Aug. 31, 1989 [FD] Finland 763/89

[52] U.S. Cl. **D32/31**

[58] Field of Search 15/301, 314; 285/7, 285/12, 46, 64, 119, 205, 901; D32/1, 21, 25, 31; D15/7, 9

[56] **References Cited**

U.S. PATENT DOCUMENTS

D. 294,187 2/1988 Bertuzzo D32/21
D. 306,088 2/1990 Anoszko D32/25

3,048,875 8/1962 Bottinelli et al. 15/314
3,357,039 12/1967 Hayward 15/314
3,568,239 3/1971 Hamrick 15/314
3,942,963 3/1976 Tevis 15/327.6

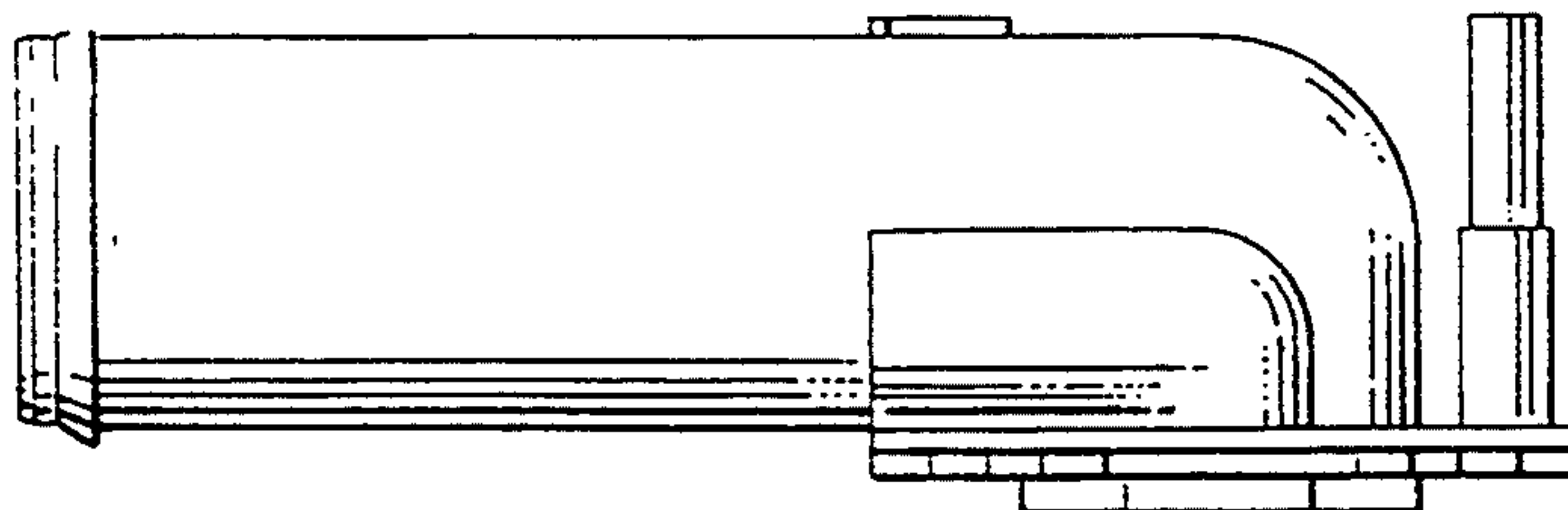
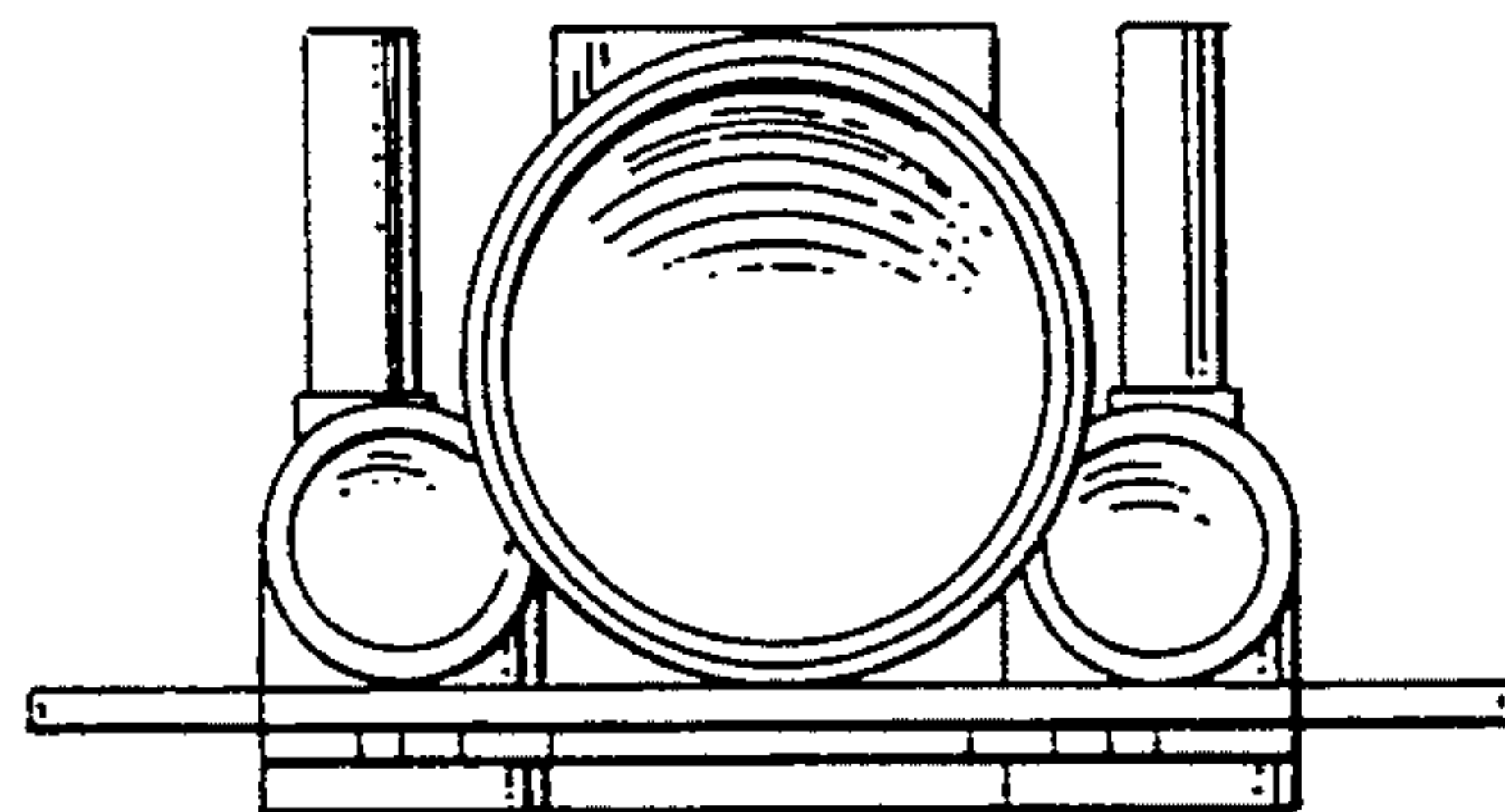
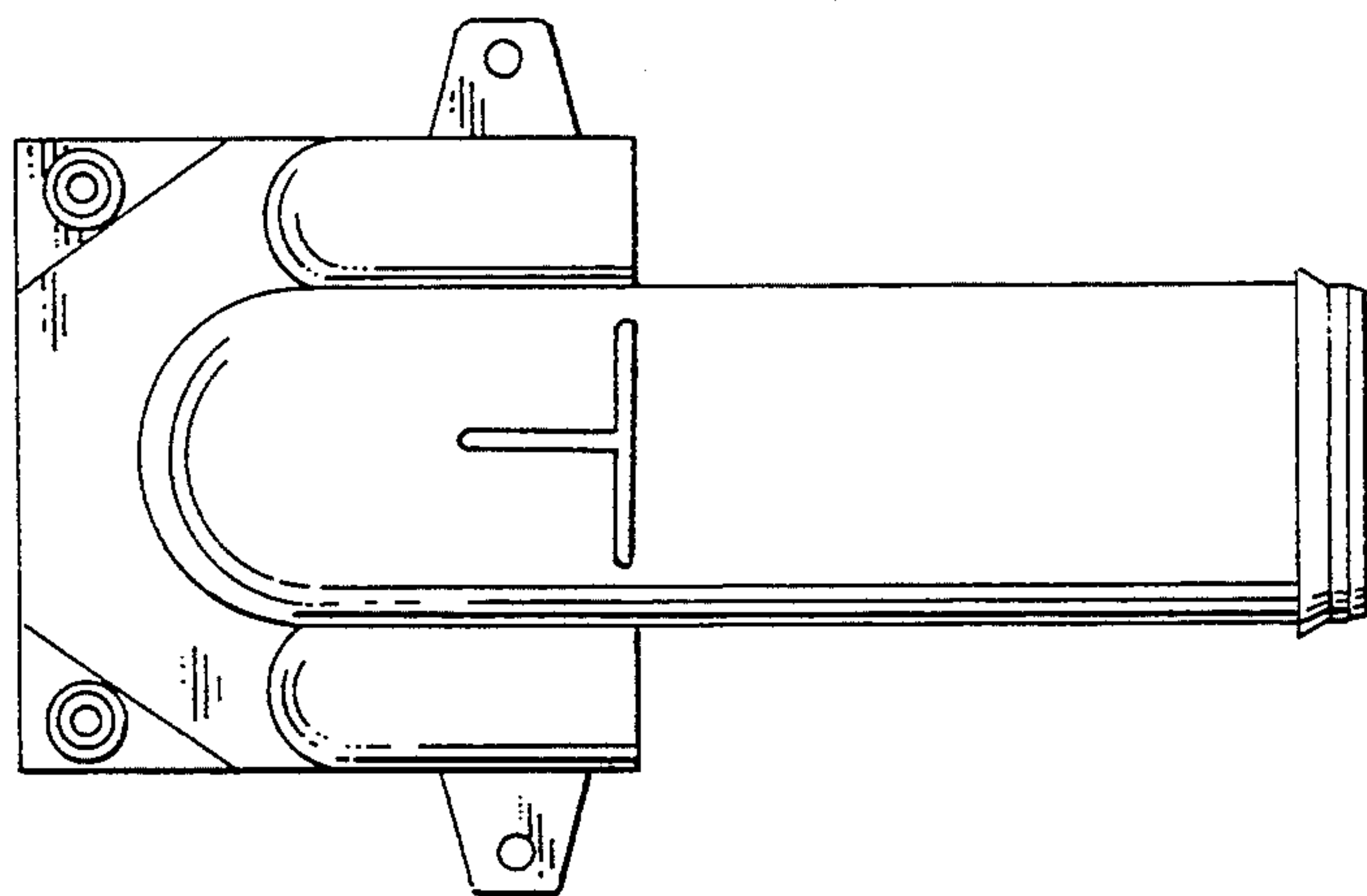
Primary Examiner—Ruth McInroy
Attorney, Agent, or Firm—Andrus, Sceales, Starke & Sawall

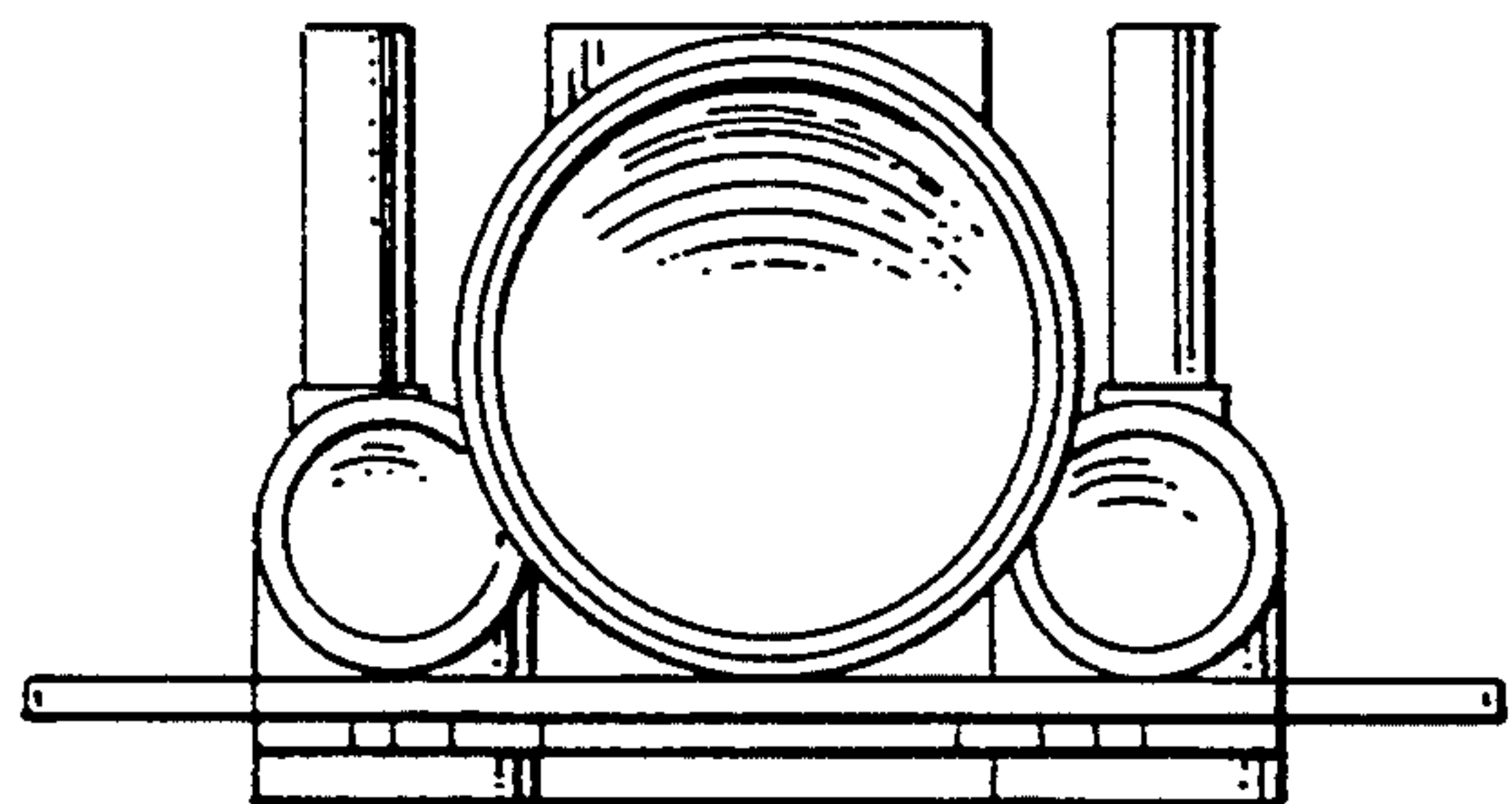
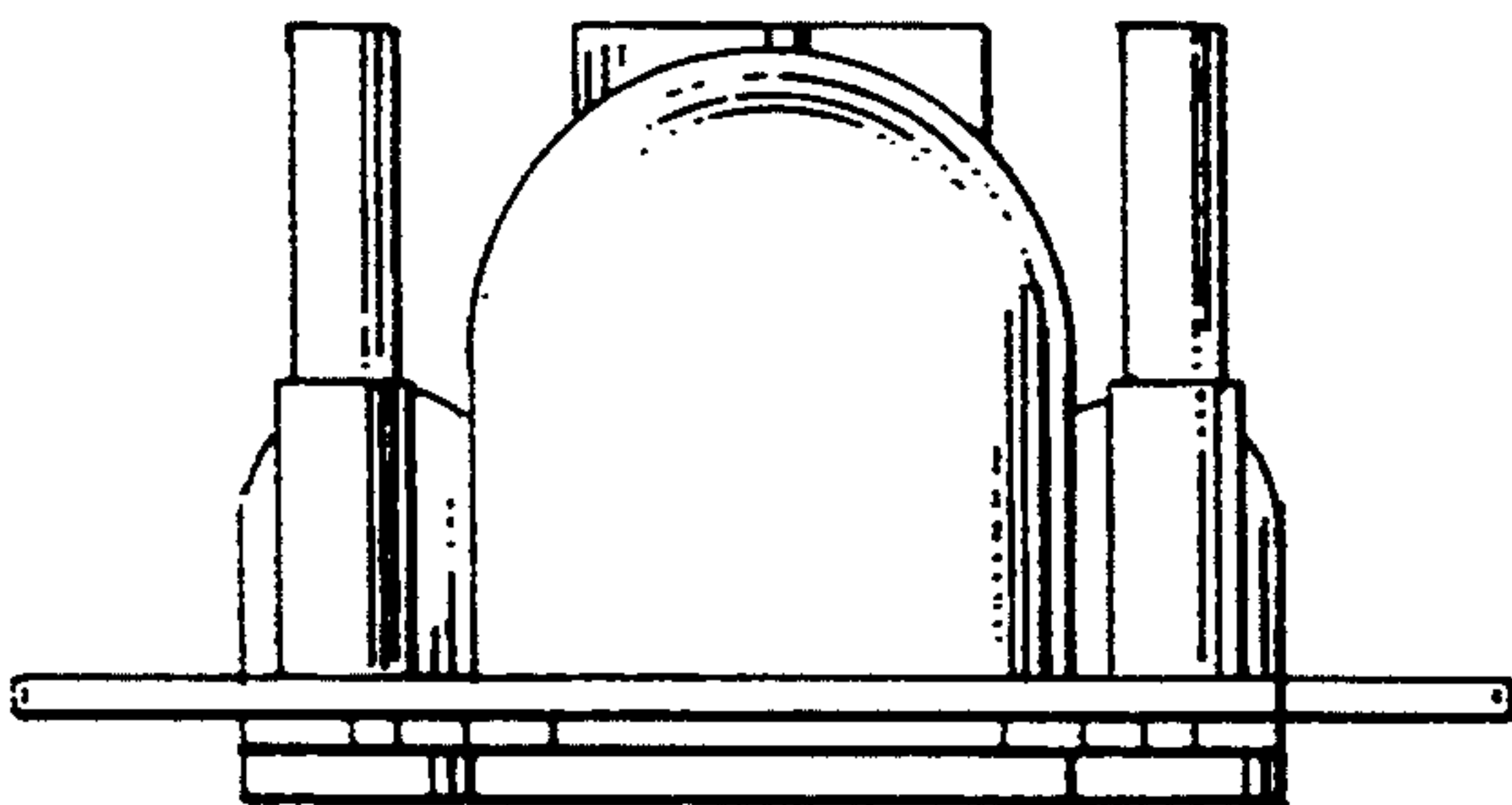
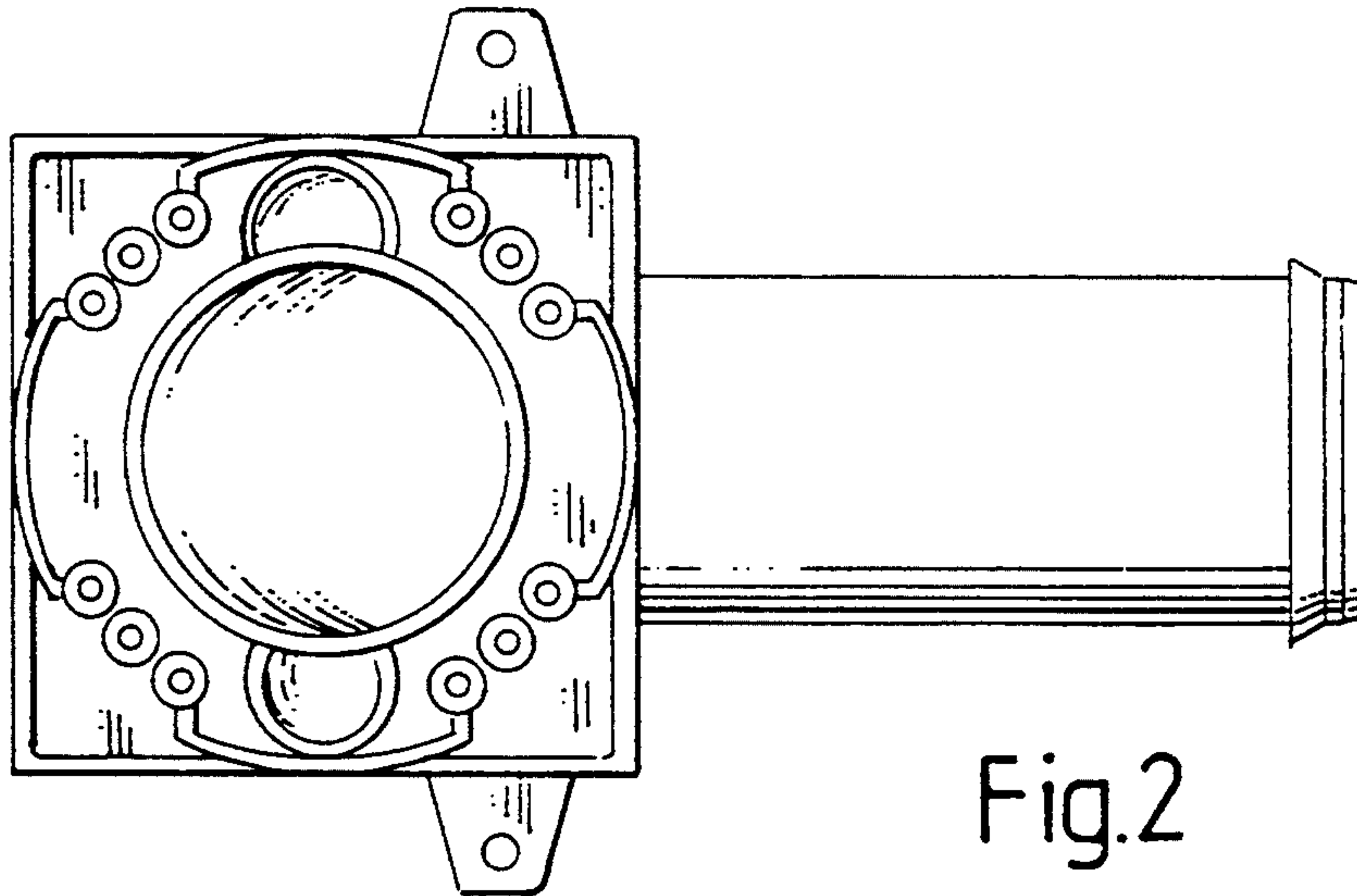
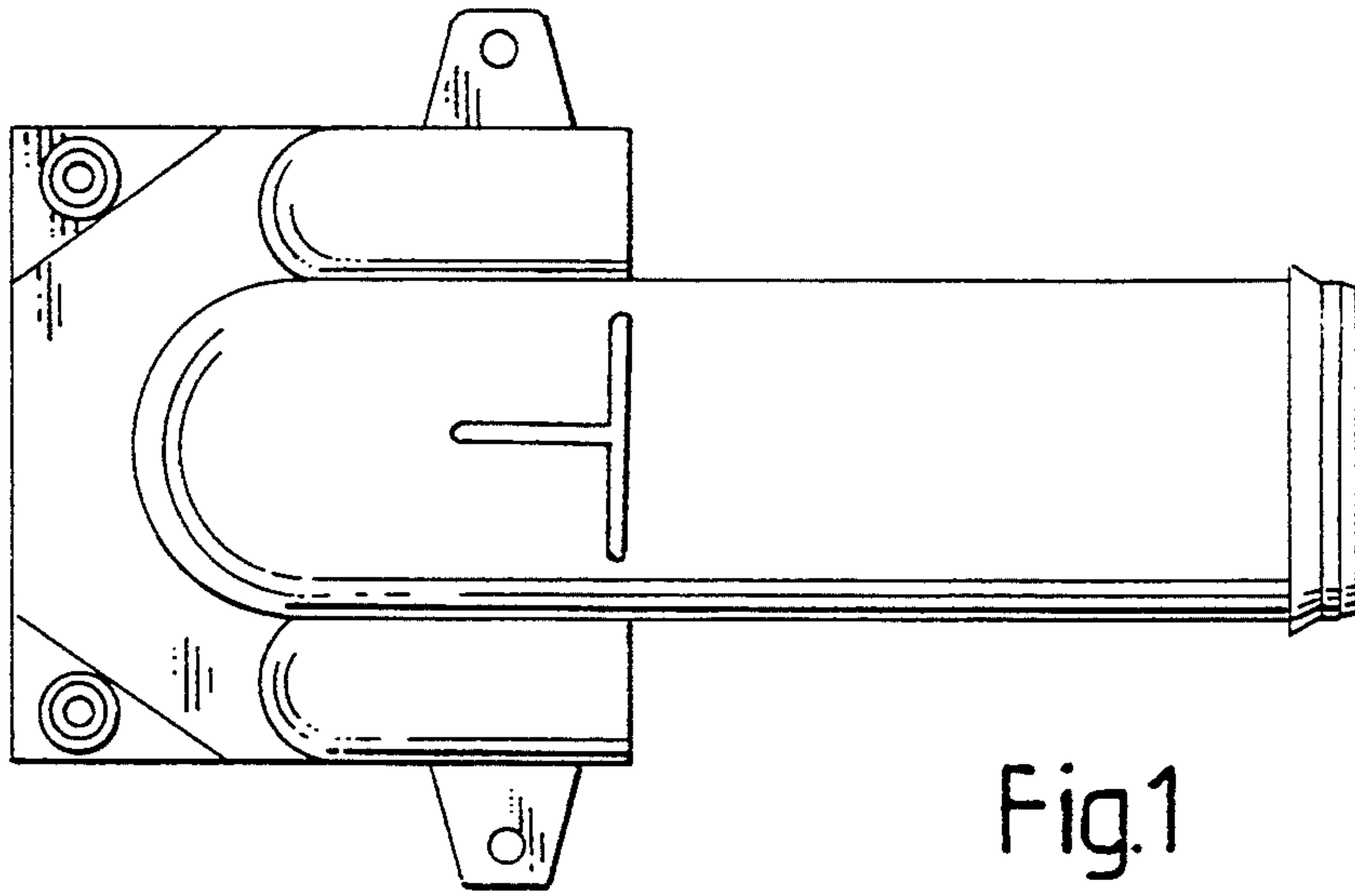
[57] **CLAIM**

The ornamental design for a suction terminal housing for a central vacuum cleaner system, as shown and described.

DESCRIPTION

FIG. 1 is a top plan view of a suction terminal housing for a central vacuum cleaner system of my new design; FIG. 2 is a bottom plan view thereof; FIG. 3 is a left side elevational view thereof; FIG. 4 is a right side elevational view thereof; FIG. 5 is a front plan view thereof; FIG. 6 is a rear plan view thereof; and, FIG. 7 is a perspective view thereof.





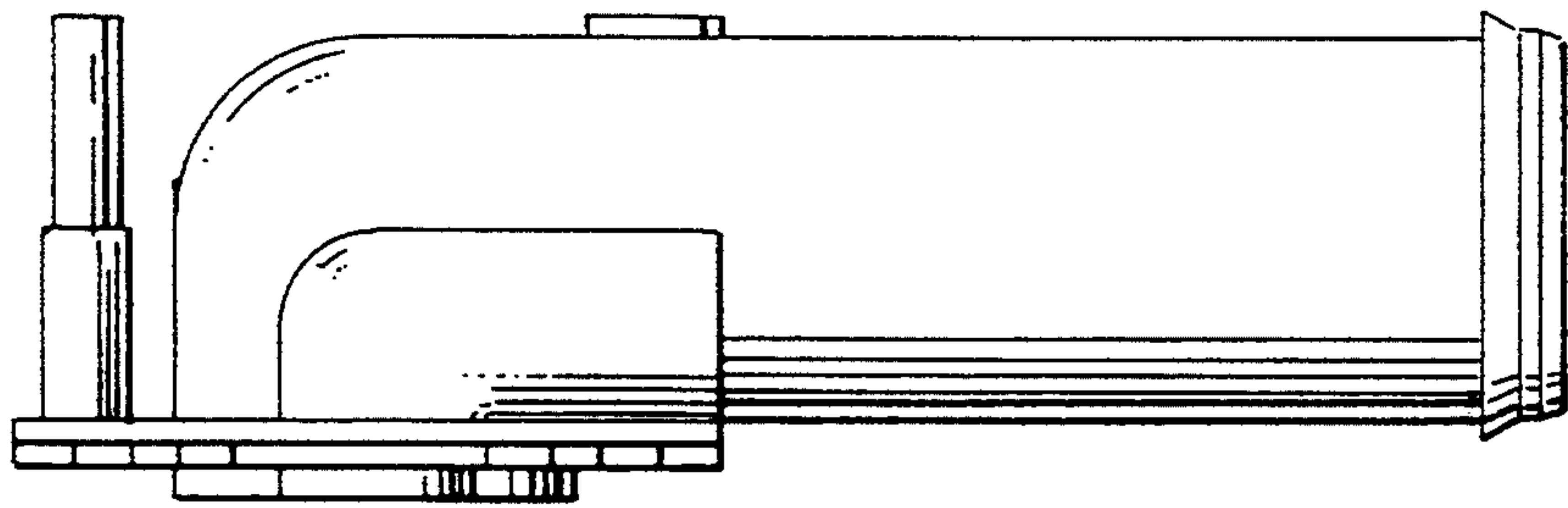


Fig.3

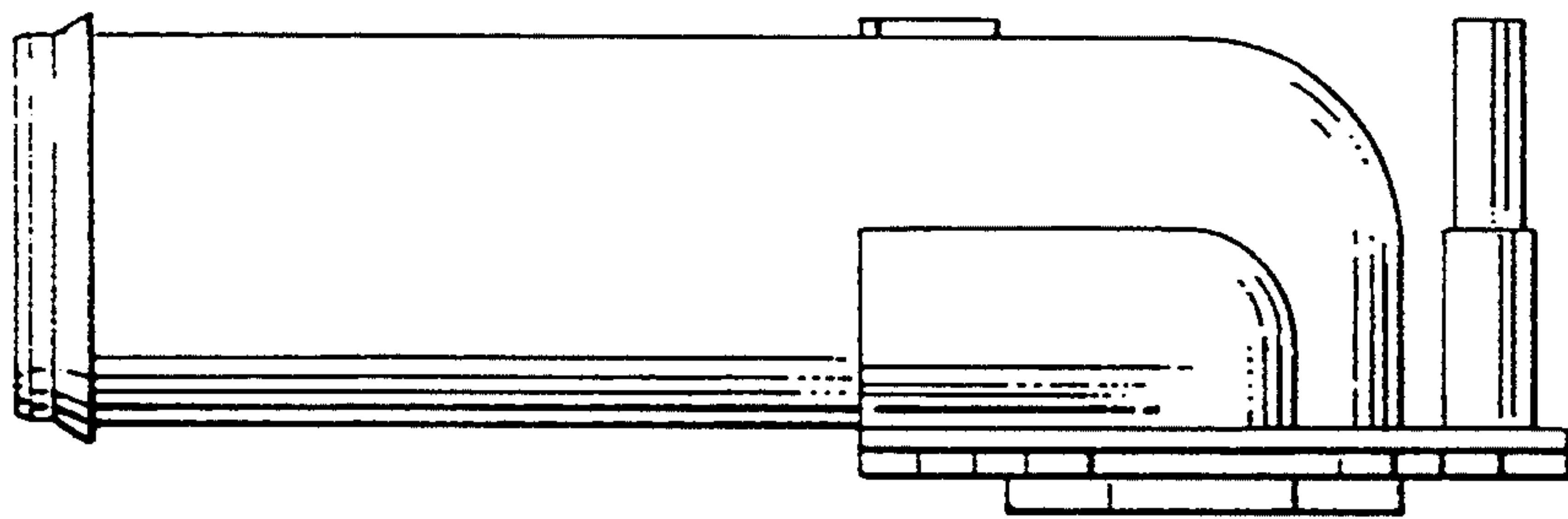


Fig.4

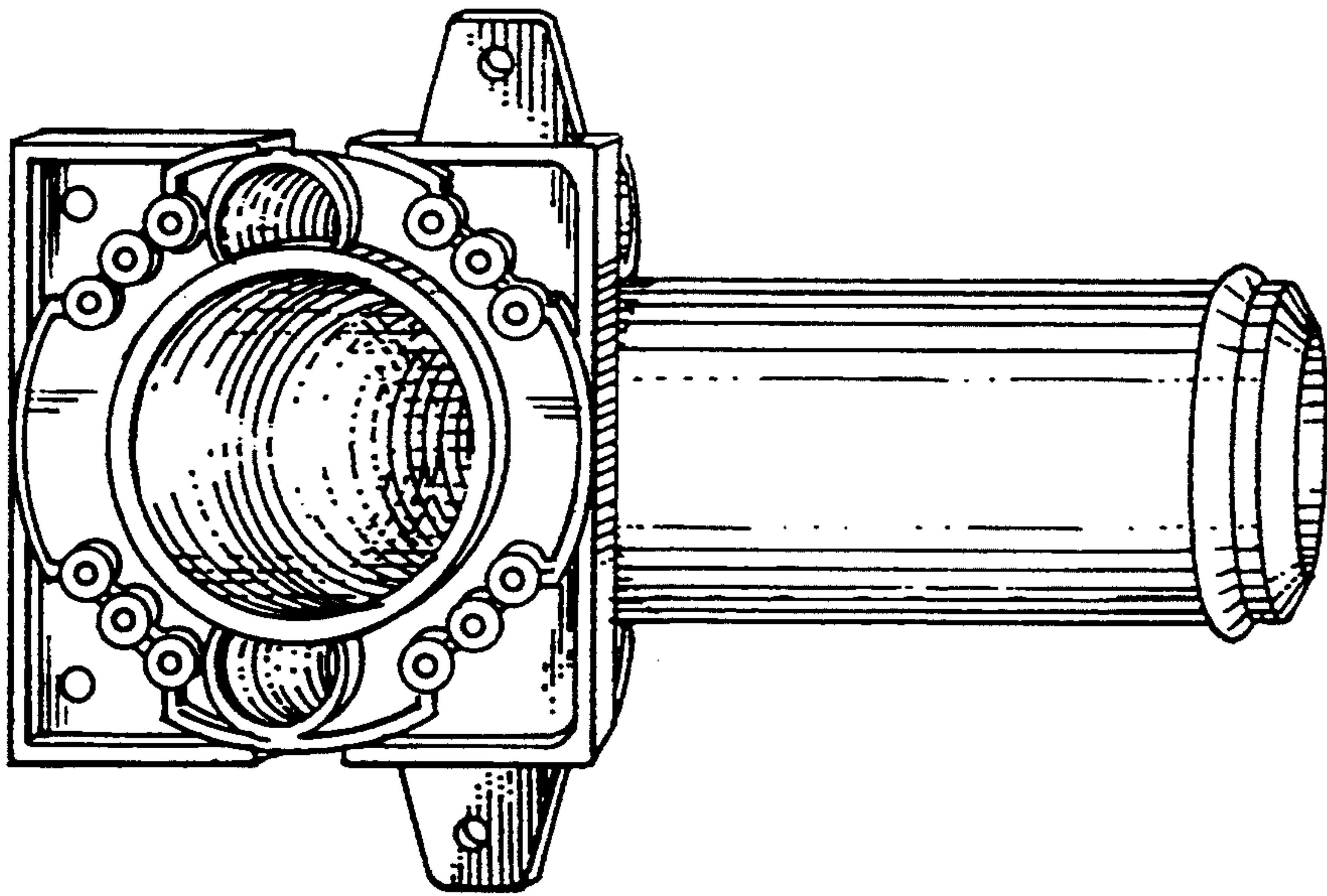


FIG. 7