



US00D349369S

# United States Patent [19]

[11] Patent Number: **Des. 349,369**

**Adams**

[45] Date of Patent: **\*\* Aug. 2, 1994**

[54] **VACUUM CANNISTER**

4,202,070 5/1980 Harpst ..... 15/327.6  
4,754,519 7/1988 Duran et al. .... 15/314

[76] Inventor: **Jack E. Adams**, 3627 Honey Hill Dr.,  
SE., Cedar Rapids, Iowa 52403

*Primary Examiner*—Ruth McInroy  
*Attorney, Agent, or Firm*—Phillip A. Rein

[\*\*] Term: **14 Years**

[57] **CLAIM**

[21] Appl. No.: **992**

The ornamental design for a vacuum cannister, as shown and described.

[22] Filed: **Nov. 2, 1992**

[52] U.S. Cl. .... **D32/21**

[58] Field of Search ..... 15/301, 312.1, 312.2,  
15/314, 315, 320-321, 322, 339, 353, 352, 327  
R; D32/1, 21, 23

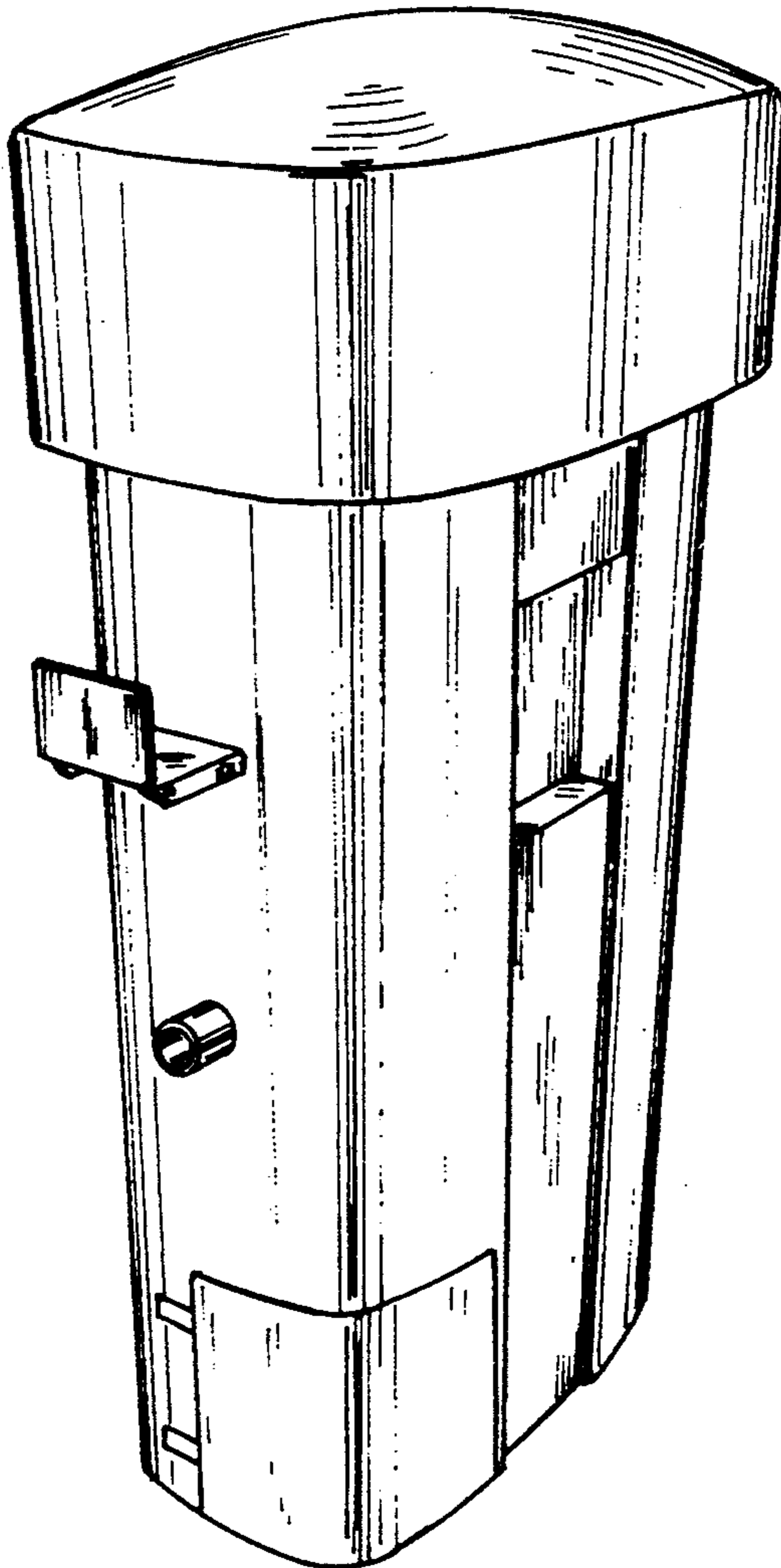
**DESCRIPTION**

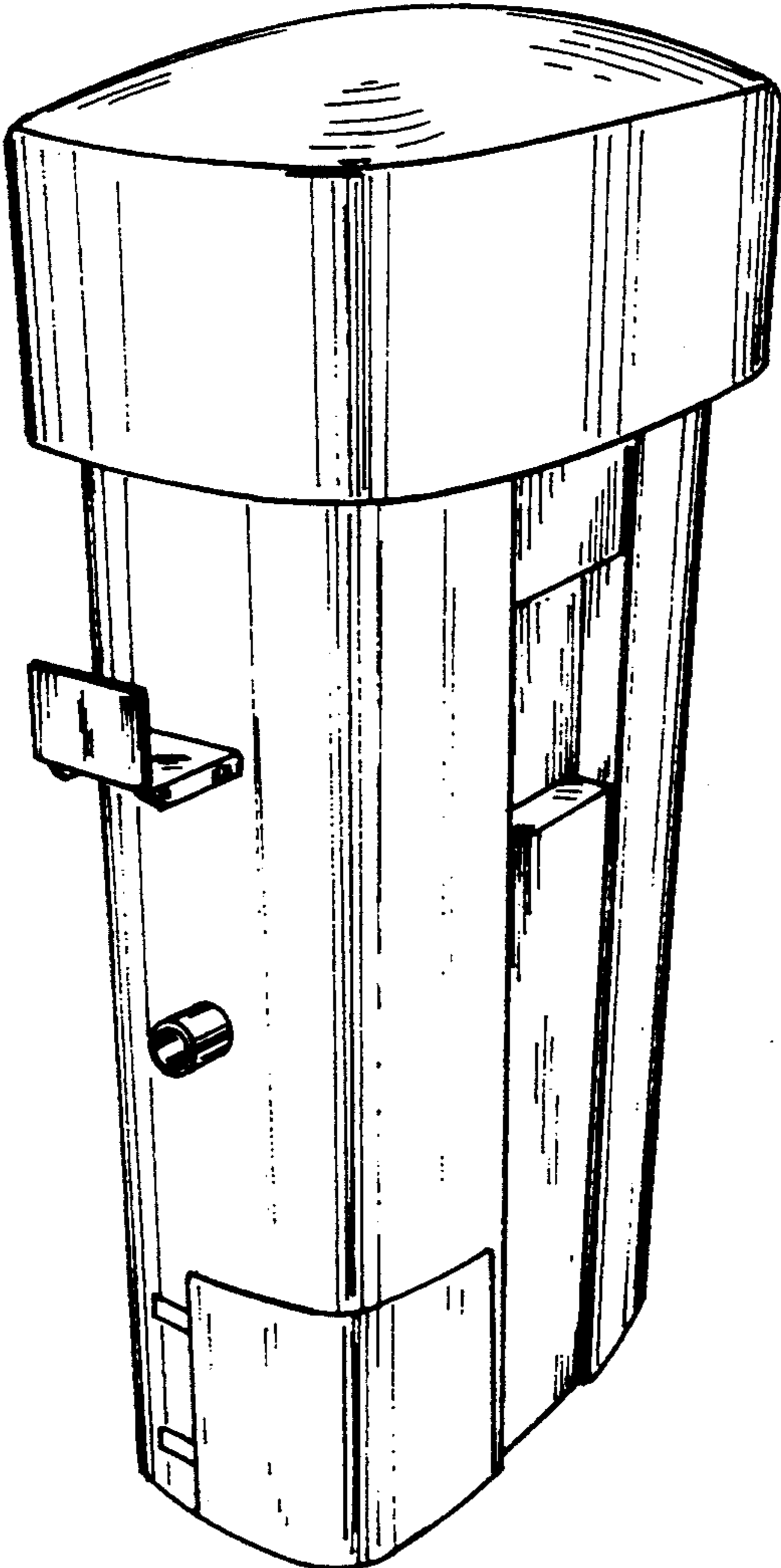
[56] **References Cited**

**U.S. PATENT DOCUMENTS**

- D. 245,846 9/1977 Livingston ..... D32/21
- D. 287,656 1/1987 Waldrep et al. .... D32/21
- D. 326,005 5/1992 Andersen ..... D32/21
- D. 342,354 12/1993 Lopes ..... D32/21
- 4,194,262 3/1980 Finley et al. .... 15/314

FIG. 1 is a perspective view of a vacuum cannister showing my new design;  
 FIG. 2 is a side elevational view thereof;  
 FIG. 3 is a top plan view thereof;  
 FIG. 4 is a side elevational view of the opposite side of FIG. 2;  
 FIG. 5 is an end elevational view thereof;  
 FIG. 6 is an end elevational view of the opposite end of FIG. 5; and,  
 FIG. 7 is a bottom plan view thereof.

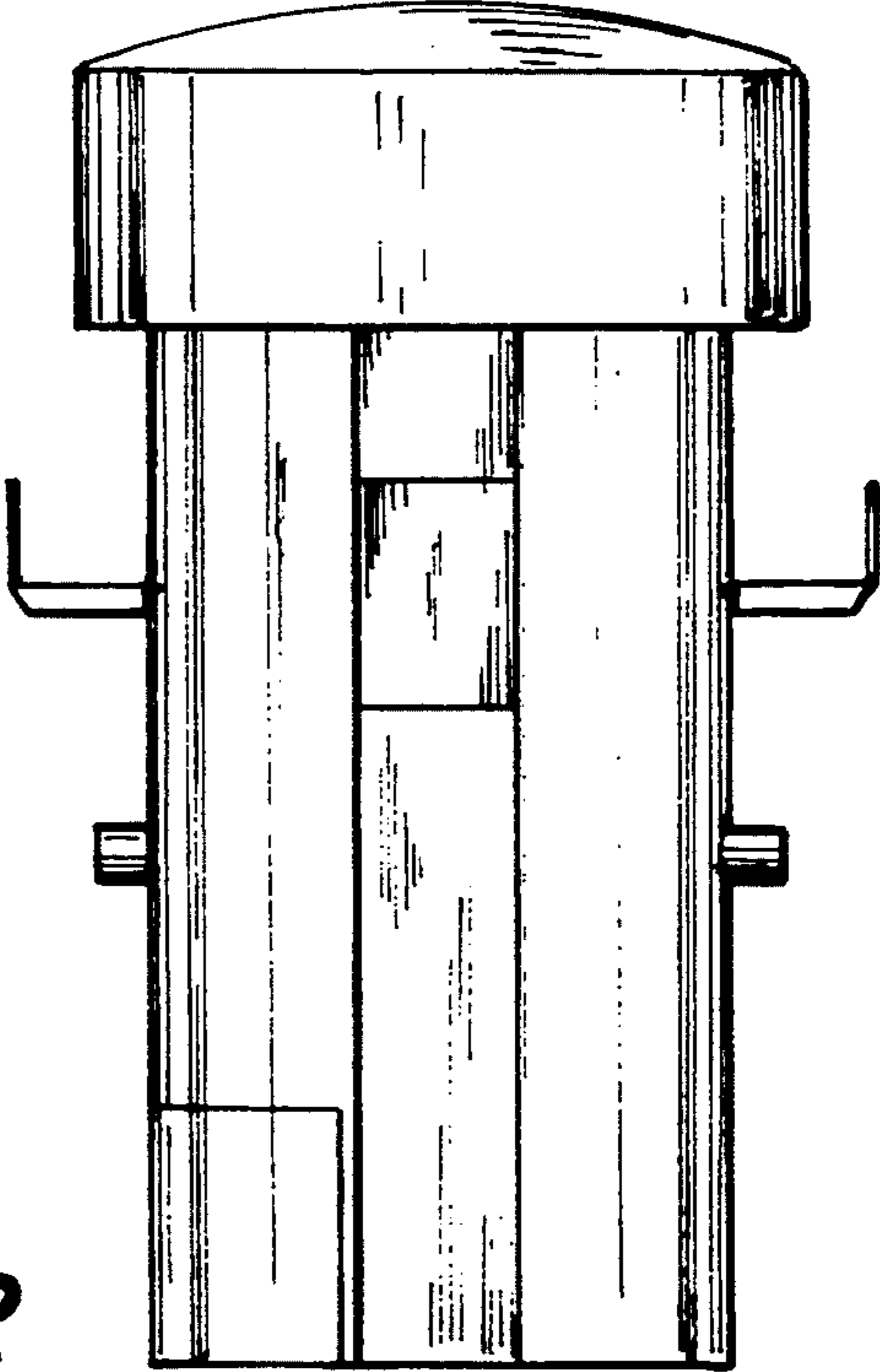




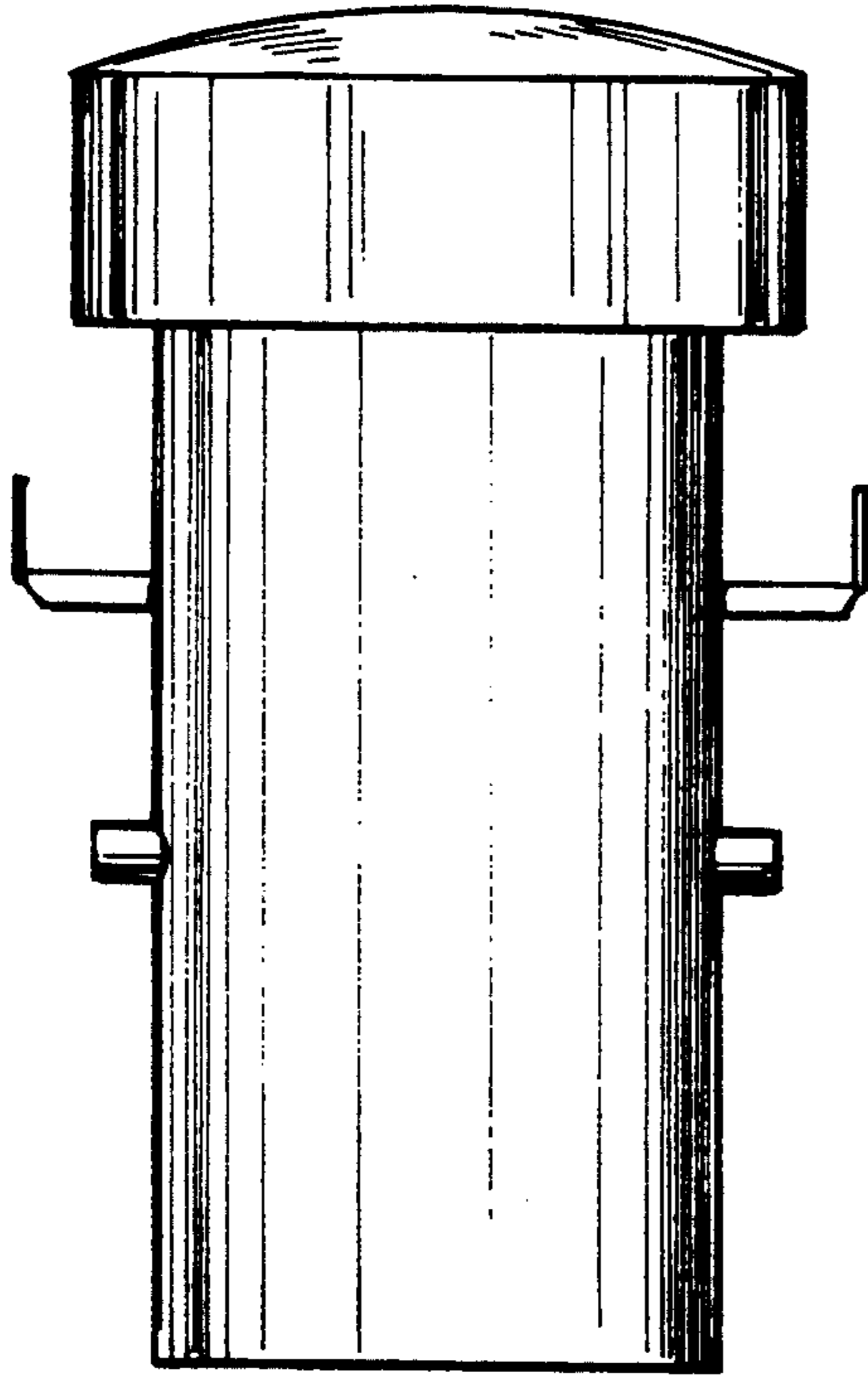
*Fig\_1*



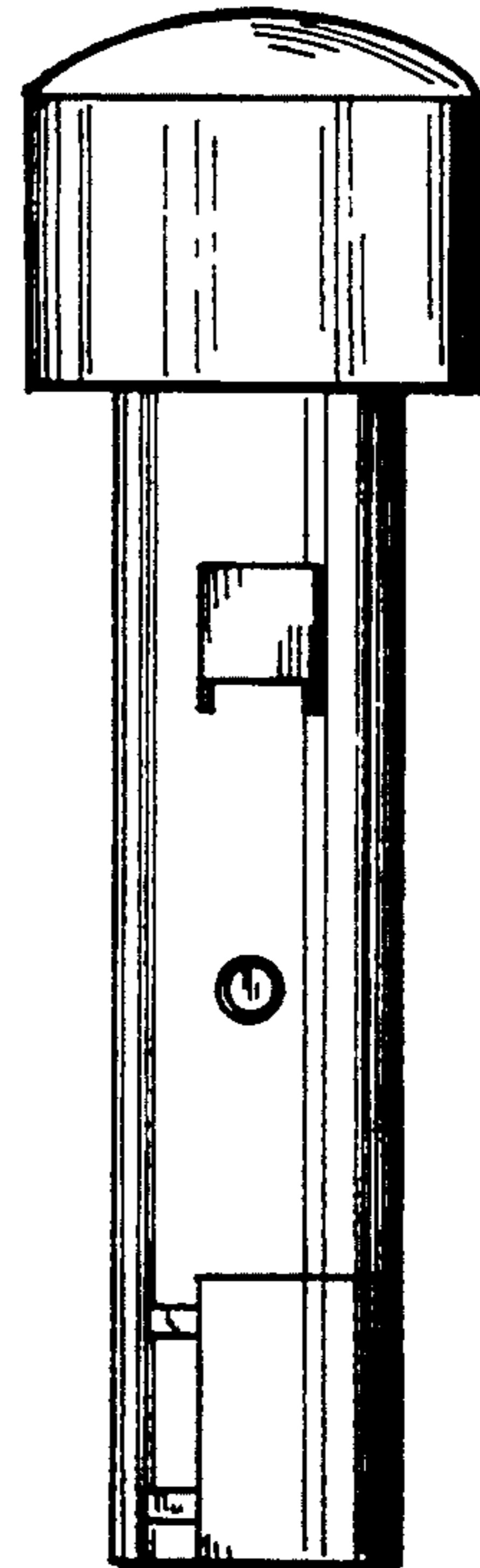
*Fig\_3*



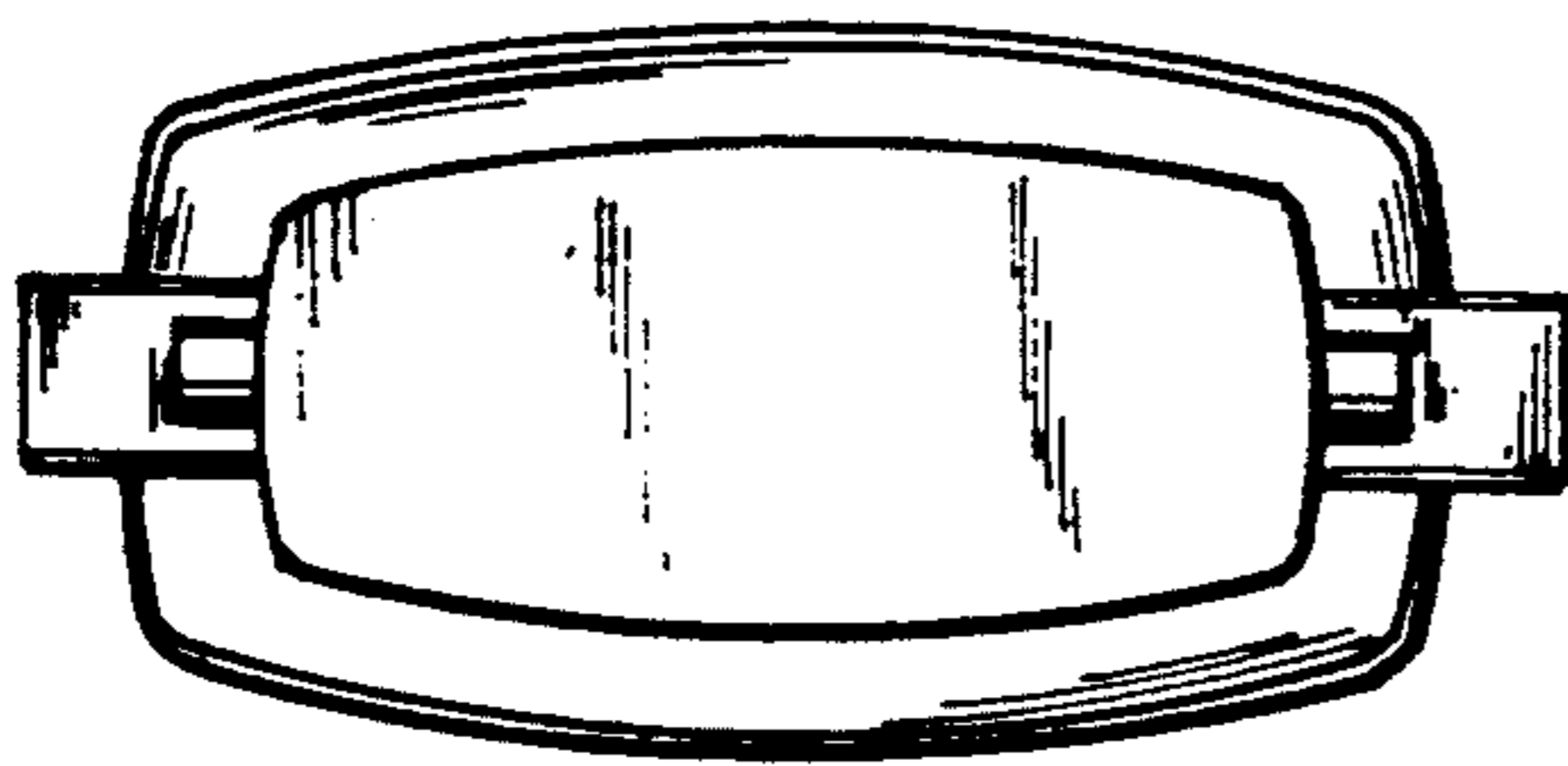
*Fig\_2*



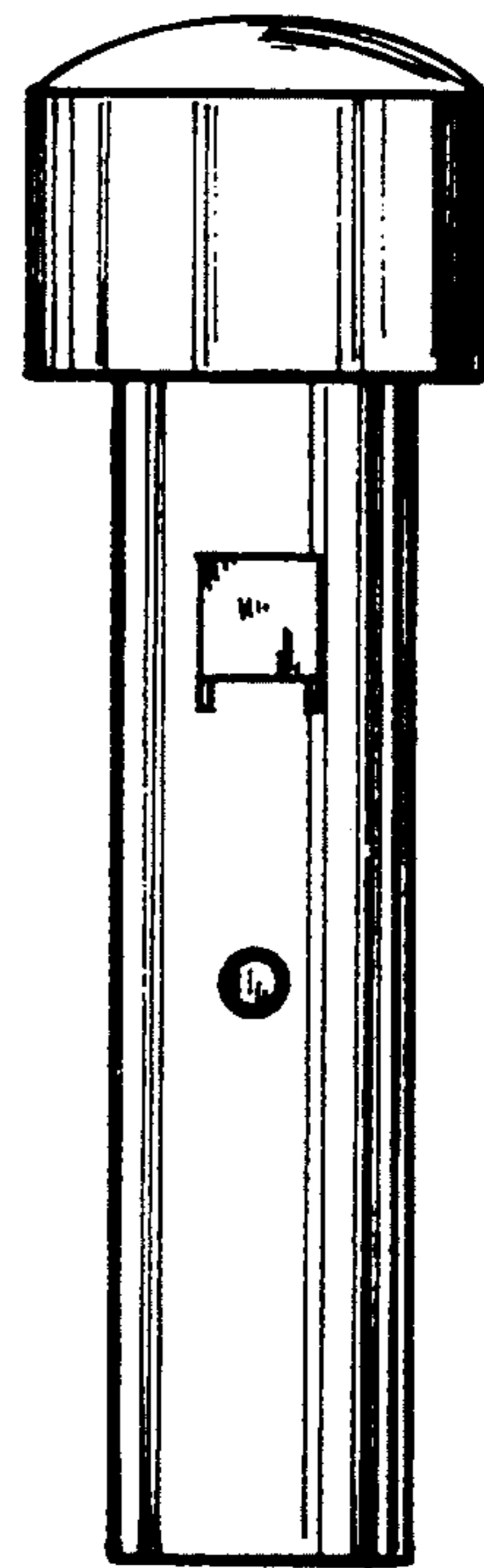
*Fig\_4*



*Fig\_5*



*Fig\_7*



*Fig\_6*