



US00D349368S

# United States Patent [19]

[11] Patent Number: **Des. 349,368**

Haskins

[45] Date of Patent: **\*\* Aug. 2, 1994**

[54] **DEVICE FOR WASHING THE BOTTOM OF A BOAT**

|           |        |                      |         |
|-----------|--------|----------------------|---------|
| 4,204,494 | 5/1980 | Bridwell et al. .... | 114/222 |
| 4,841,894 | 6/1989 | Nellessen, Jr. ....  | 114/222 |
| 4,843,995 | 7/1989 | Bingham ....         | 114/222 |
| 5,222,452 | 6/1993 | Maloney et al. ....  | 114/222 |

[76] Inventor: **Harold A. Haskins**, 23012 Meadows, Flat Rock, Mich. 48134

*Primary Examiner*—Ruth McInroy  
*Attorney, Agent, or Firm*—Terry M. Gernstein

[\*\*] Term: **14 Years**

[21] Appl. No.: **927**

[57] **CLAIM**

[22] Filed: **Oct. 29, 1992**

The ornamental design for a device for washing the bottom of a boat, as shown and described.

[52] U.S. Cl. .... **D32/4**

[58] Field of Search ..... 15/53.1, 53.2, 53.3, 15/88.1, 88.2, 88.3, DIG. 2, 97.3; 114/222; D32/1, 4, 14.1, 15-16, 47, 19, 20, 25

**DESCRIPTION**

[56] **References Cited**

**U.S. PATENT DOCUMENTS**

|           |        |                  |         |
|-----------|--------|------------------|---------|
| 3,561,391 | 2/1971 | Locati .....     | 114/222 |
| 3,886,889 | 6/1975 | Burger .         |         |
| 3,887,954 | 6/1975 | Carisson .       |         |
| 4,030,440 | 6/1977 | Wickersham ..... | 114/222 |
| 4,043,286 | 8/1977 | Doty .....       | 114/222 |

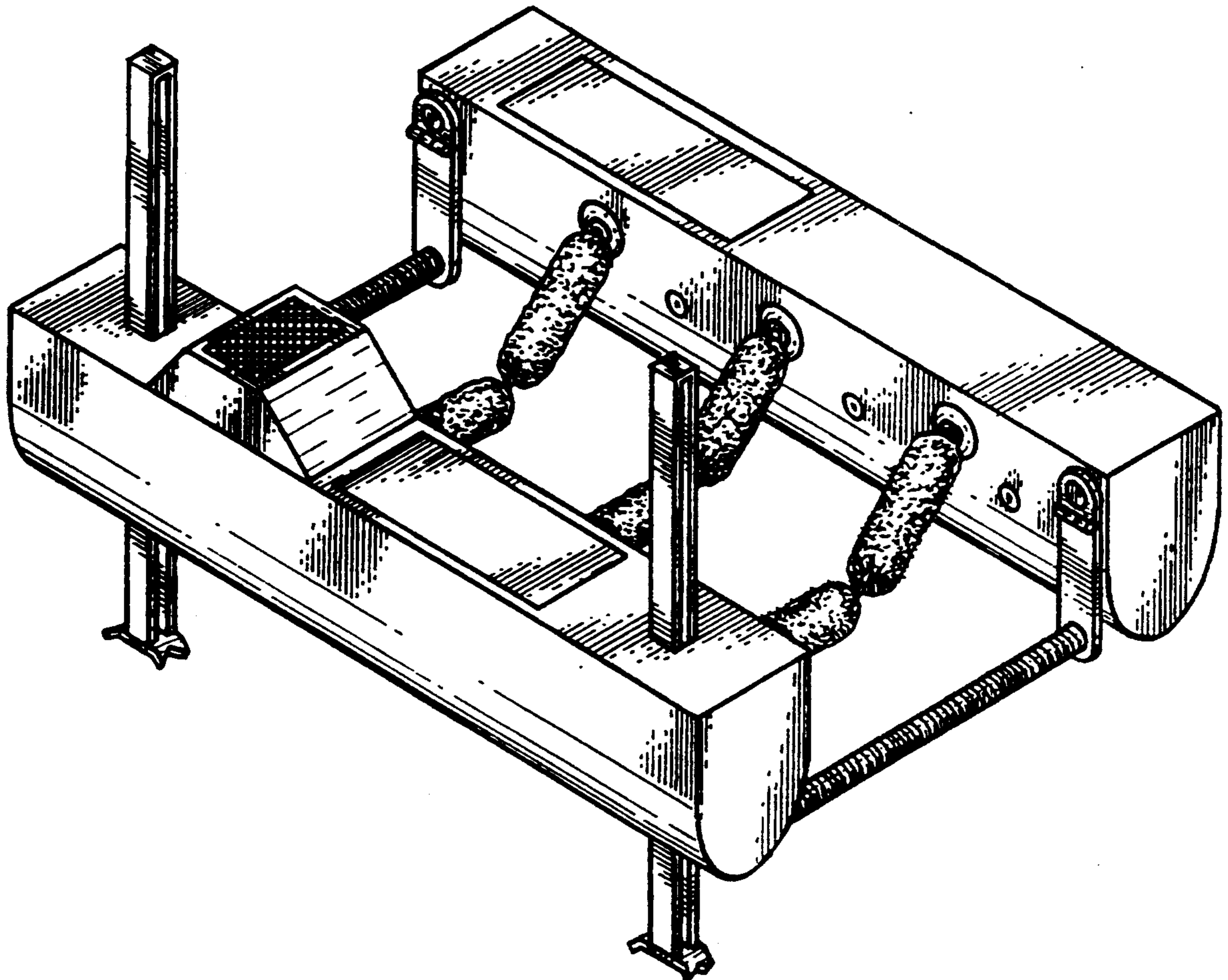
FIG. 1 is a front, top and side perspective view of a device for washing the bottom of a boat showing my new design;

FIG. 2 is a front elevational view thereof, the rear view being a mirror image;

FIG. 3 is an end elevational view thereof, the opposite end being a mirror image;

FIG. 4 is a top plan view thereof; and,

FIG. 5 is a bottom plan view thereof.



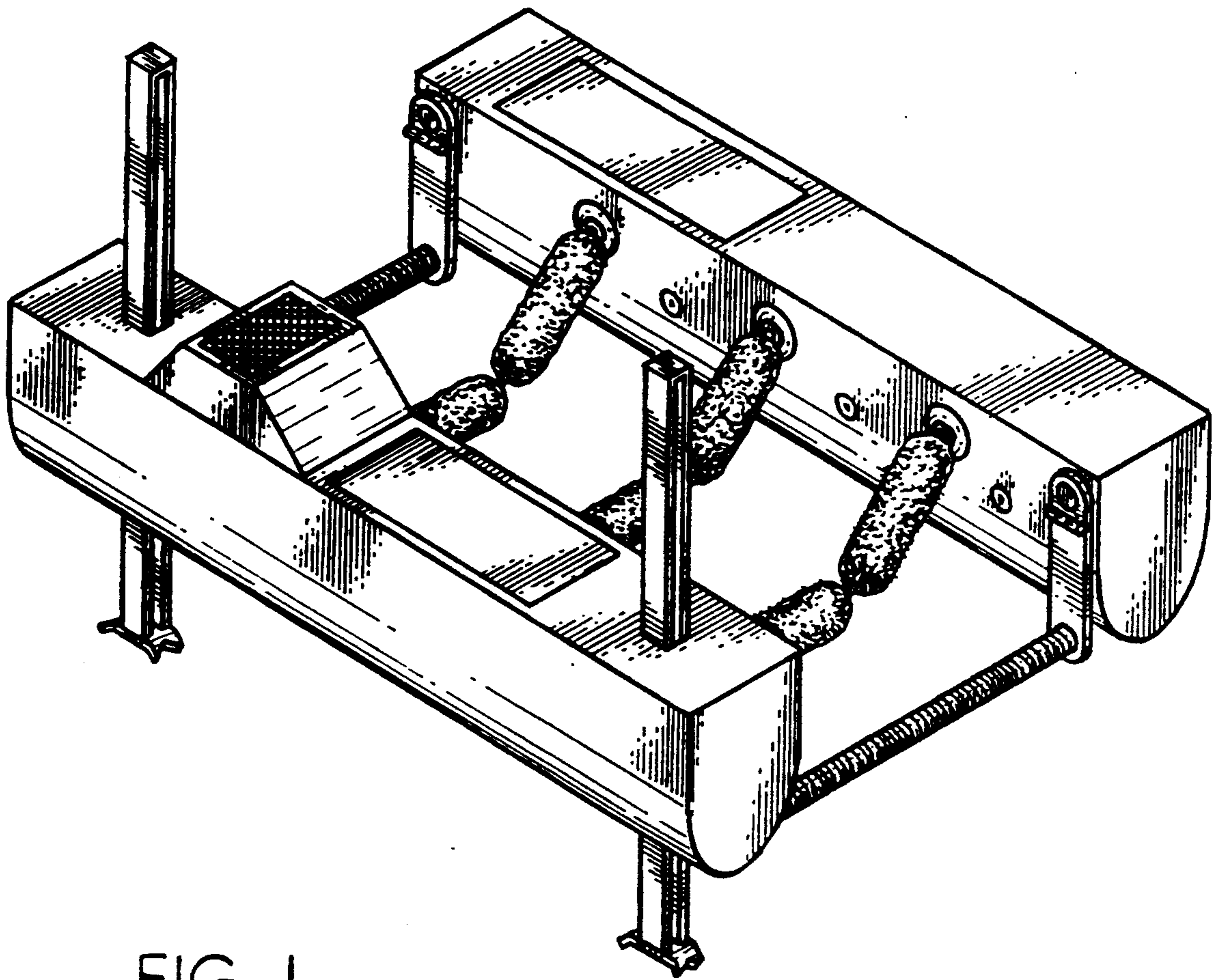


FIG. 1

FIG. 2

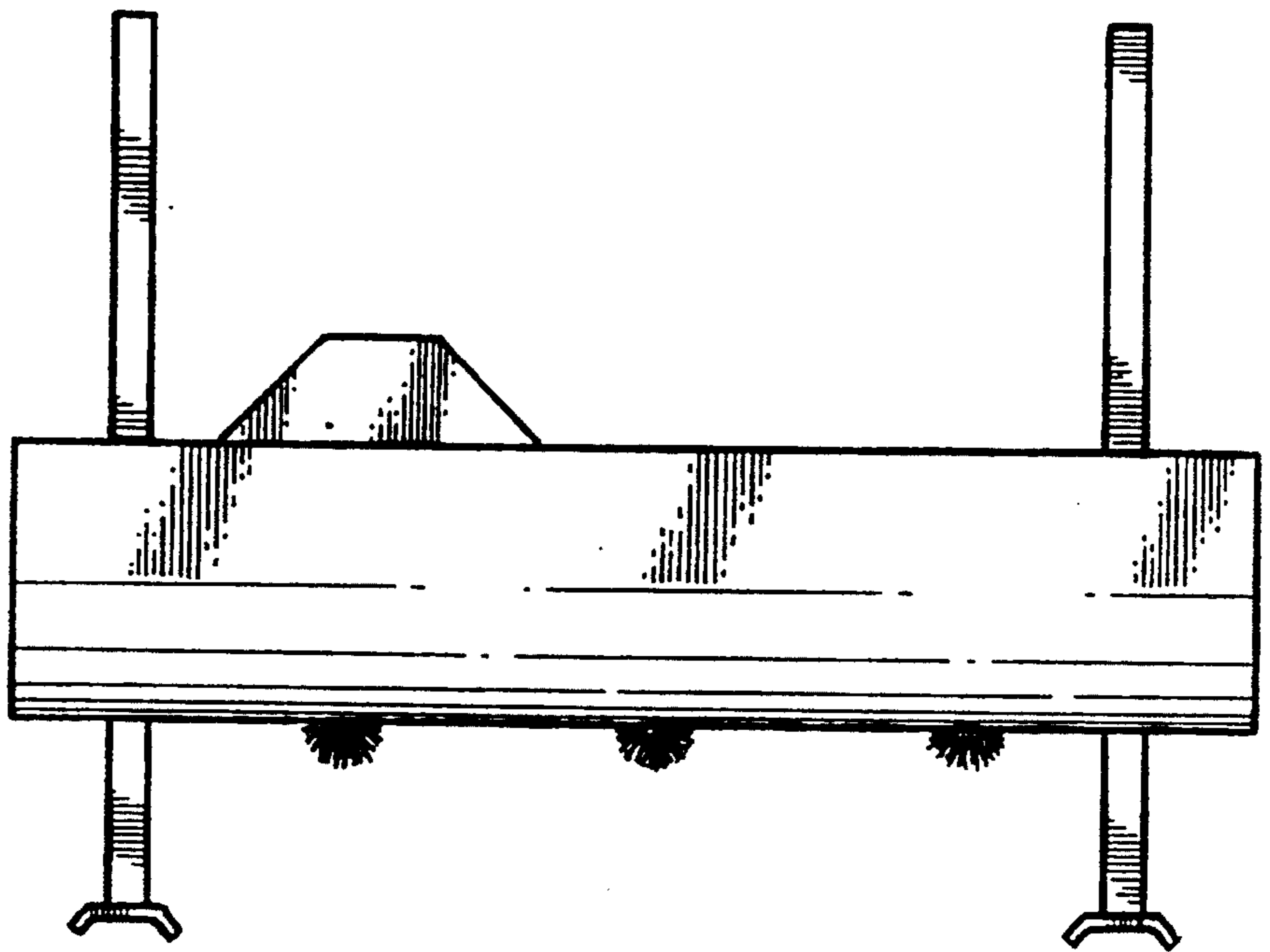
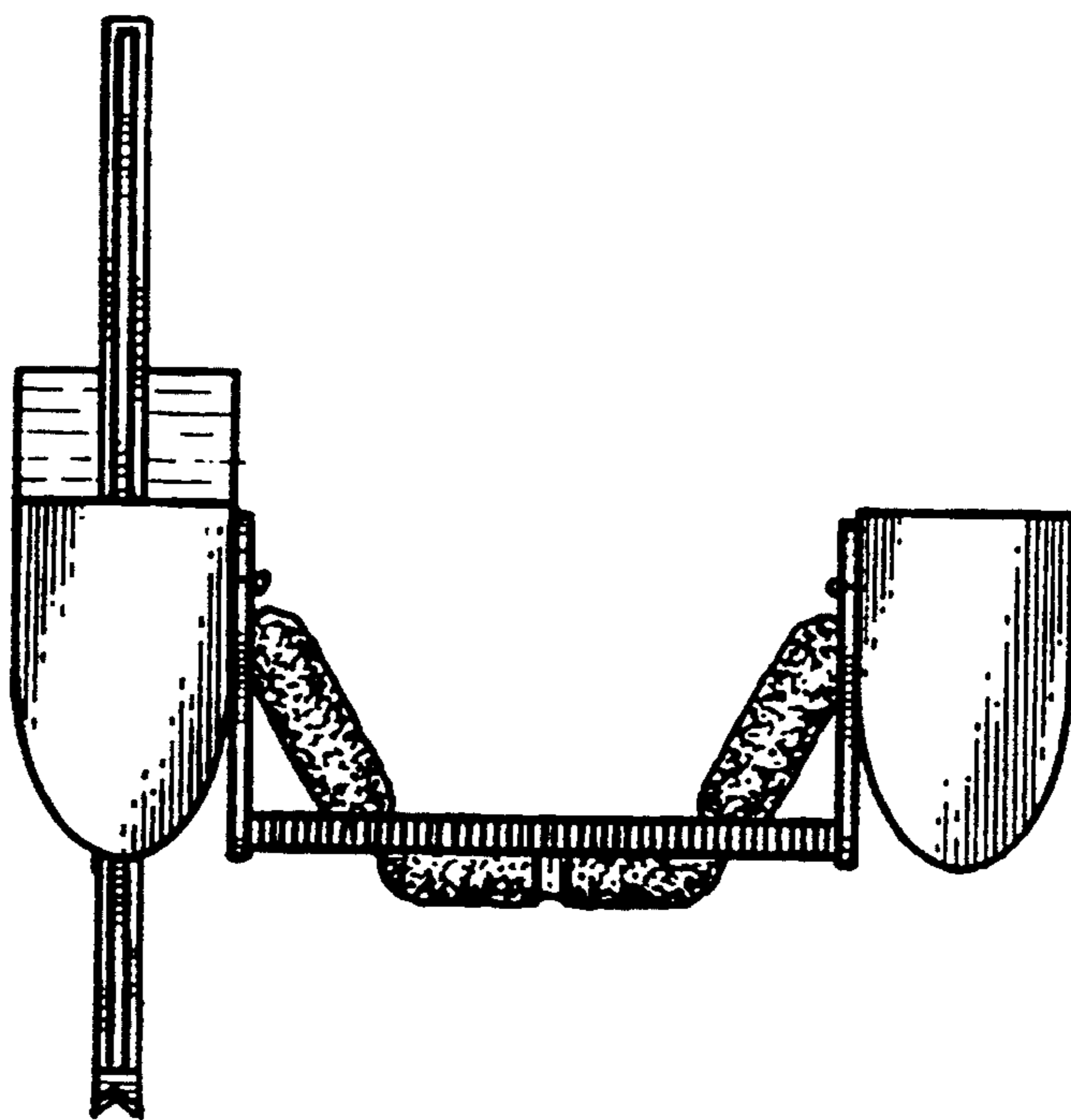


FIG. 3



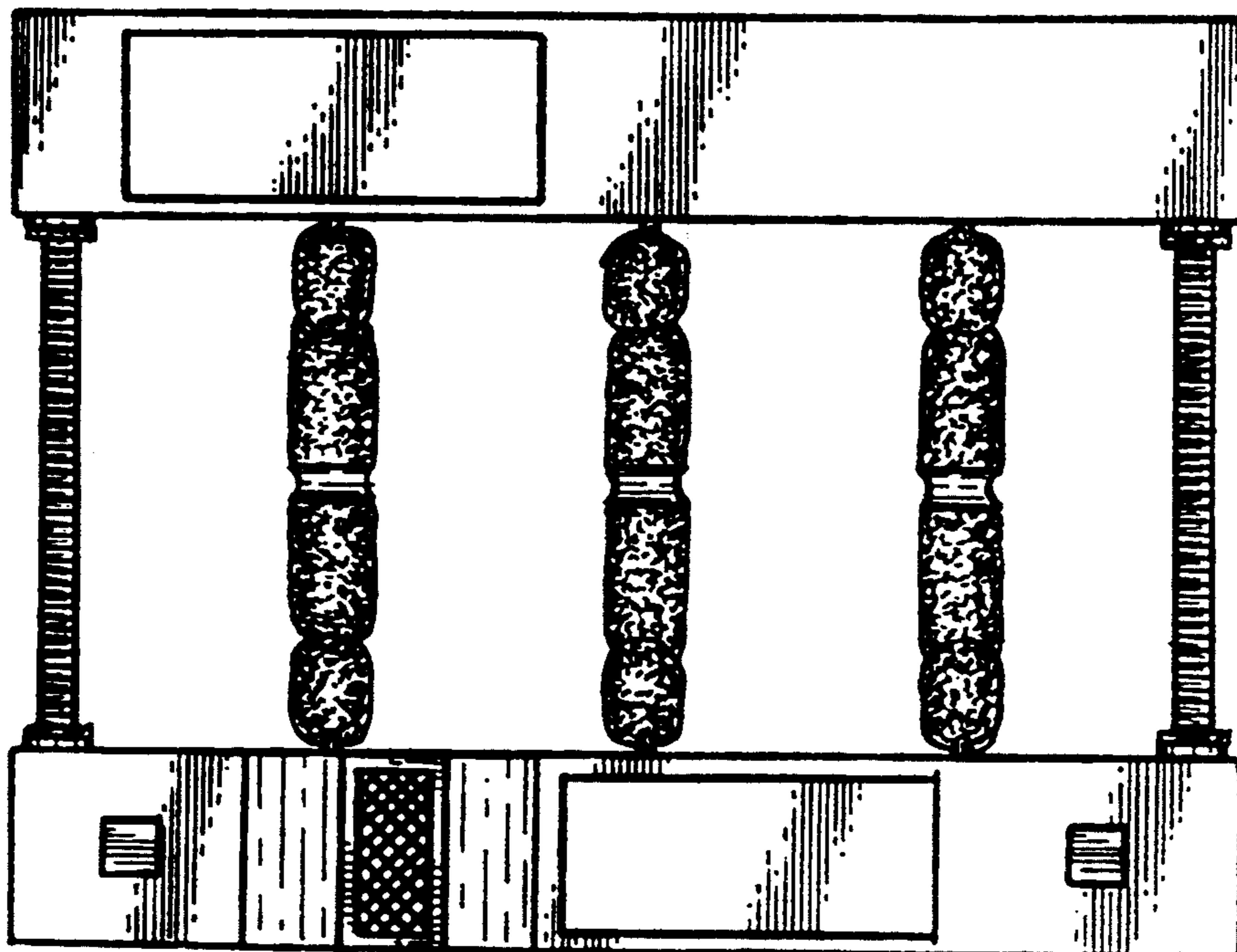


FIG. 4

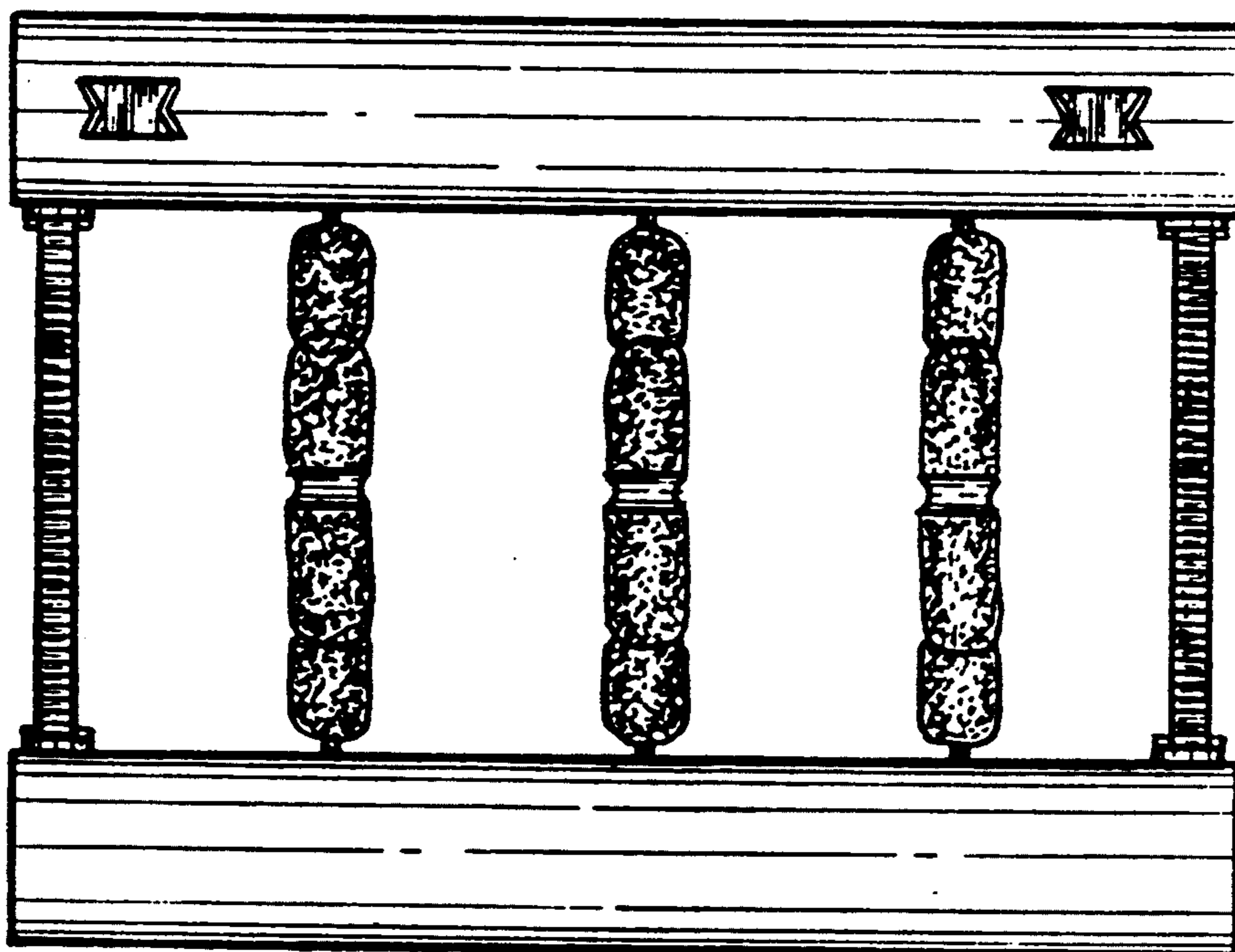


FIG. 5