



US00D349362S

United States Patent [19]

[11] Patent Number: **Des. 349,362**

Russell

[45] Date of Patent: **** Aug. 2, 1994**

[54] **FACE SHIELD**

[76] Inventor: **John P. Russell**, 3301 Osage La.,
Center Point, Ala. 35215

[**] Term: **14 Years**

[21] Appl. No.: **933,530**

[22] Filed: **Aug. 24, 1992**

[52] U.S. Cl. **D29/110**

[58] Field of Search 2/424, 425, 9, 10, 12,
2/15; D29/12, 14-18

2,360,482	10/1944	Evans	2/12
2,729,820	1/1956	Anderson	2/9
2,758,307	8/1956	Treiber	2/9
3,594,816	7/1971	Webb	2/10
5,113,528	5/1992	Burke, Jr. et al.	2/424

Primary Examiner—Ruth McInroy

[57] **CLAIM**

The ornamental design for a face shield, as shown and described.

DESCRIPTION

FIG. 1 is a top frontal perspective view of a face shield showing my new design;

FIG. 2 is a top plan view thereof;

FIG. 3 is a bottom plan view thereof;

FIG. 4 is a right side elevational view thereof;

FIG. 5 is a left side elevational view thereof;

FIG. 6 is a front elevational view thereof; and,

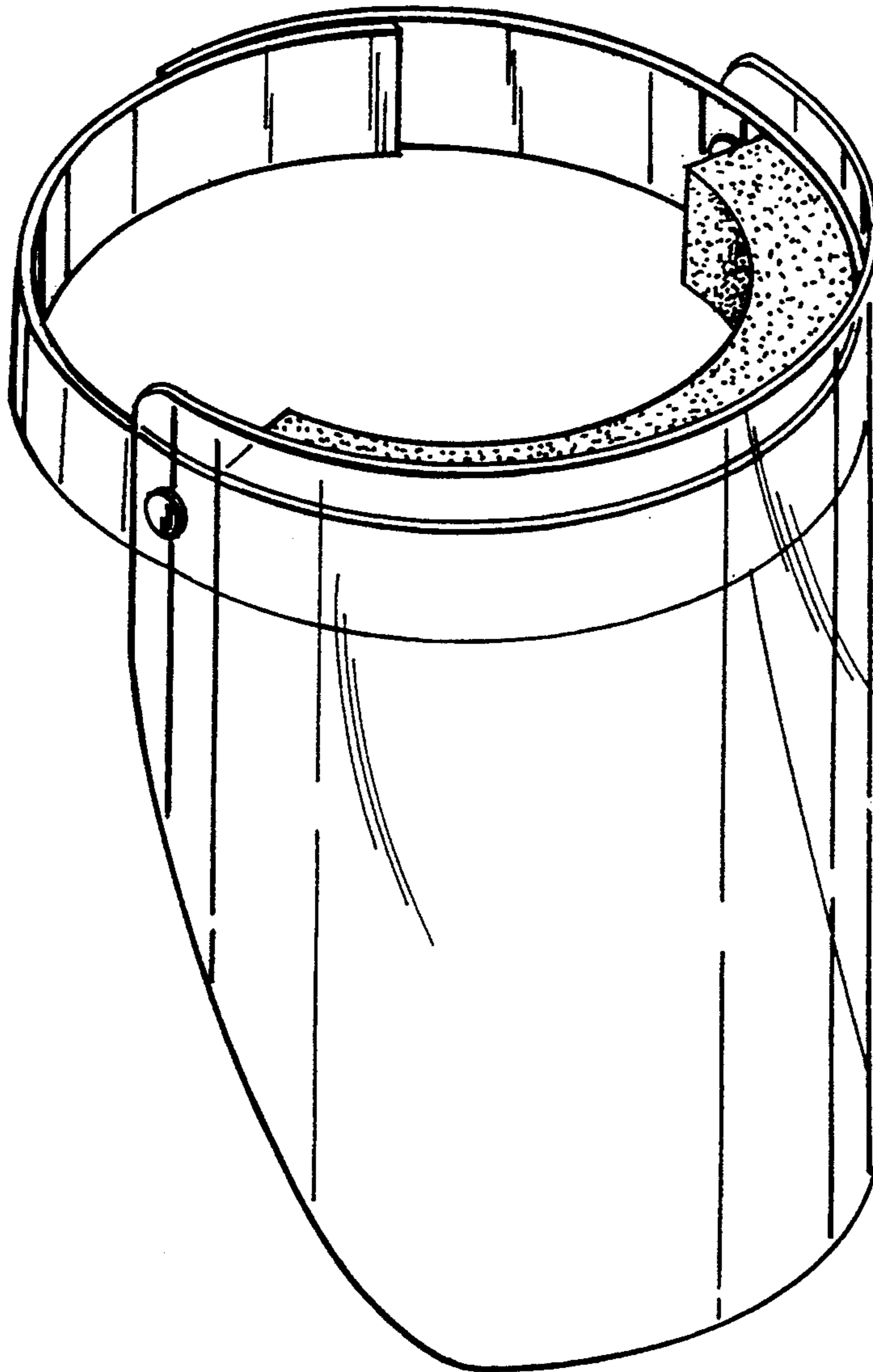
FIG. 7 is a rear elevational view thereof.

[56]

References Cited

U.S. PATENT DOCUMENTS

D. 287,300	12/1986	Lonnstedt	D29/16
D. 306,363	2/1990	Stackhouse et al.	D29/17
D. 320,478	10/1991	Metcalf	D29/17
D. 321,268	10/1991	Nix	D29/16
1,911,817	5/1933	DuBois	2/9



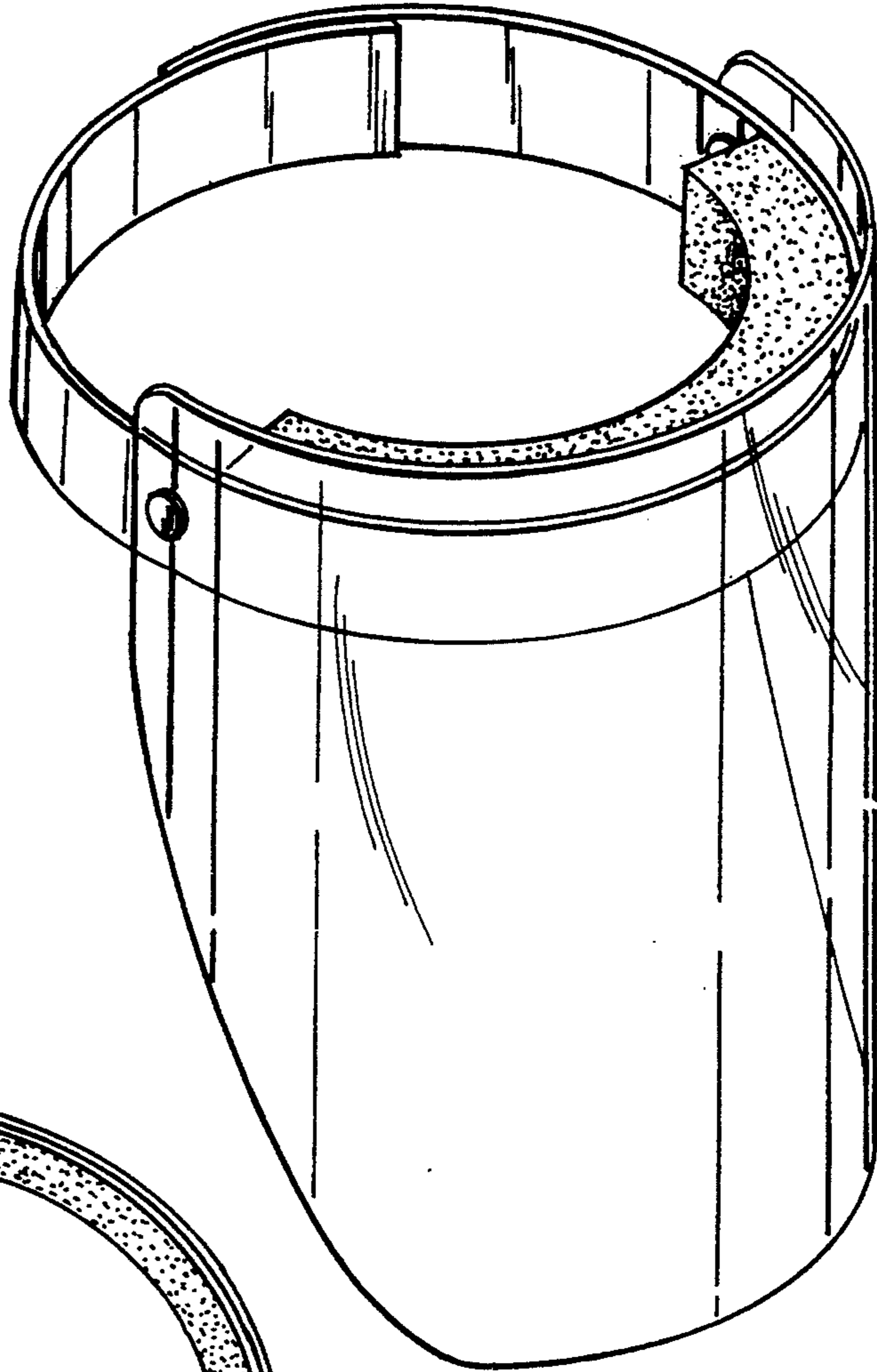


FIG. 1

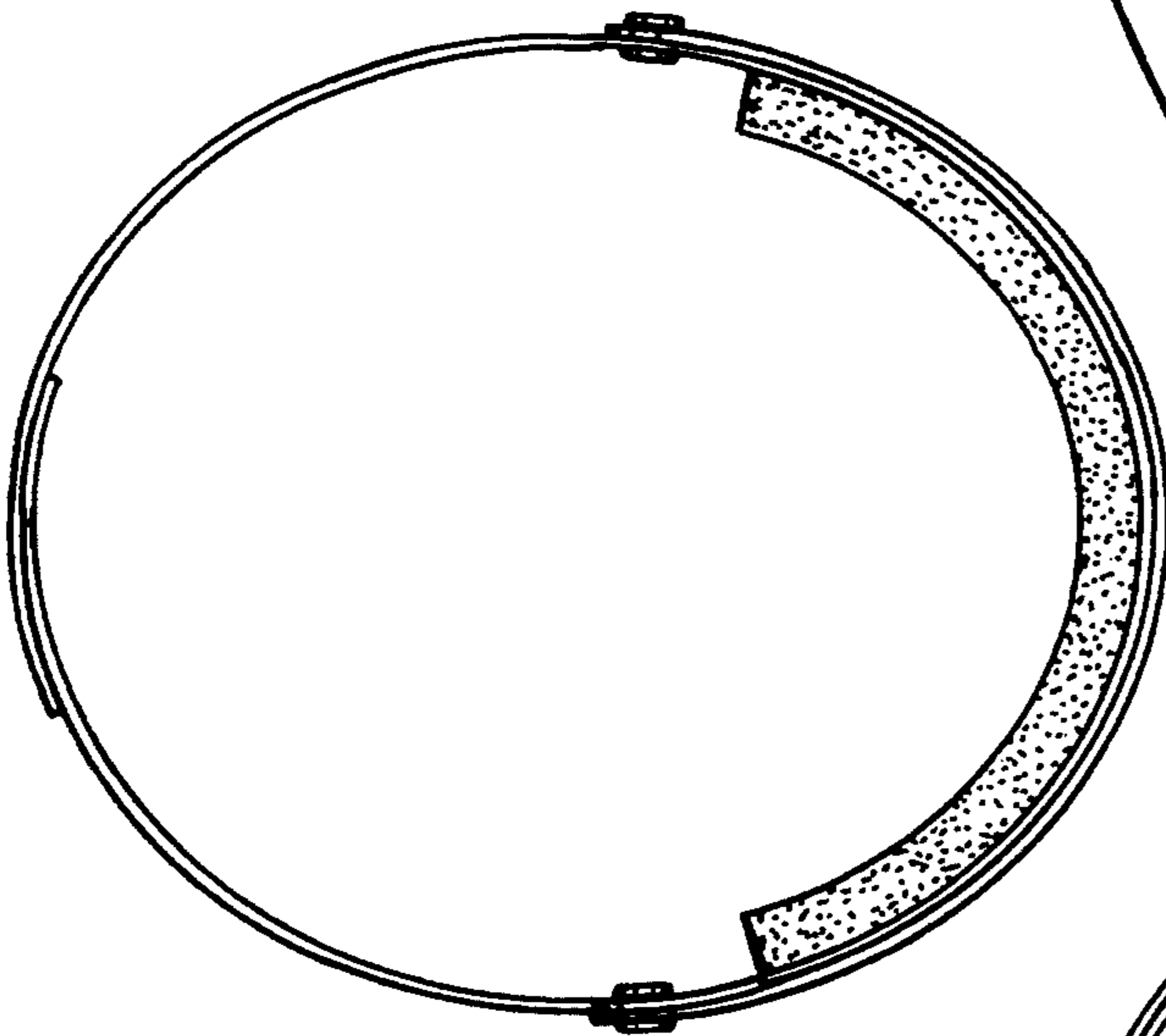


FIG. 2

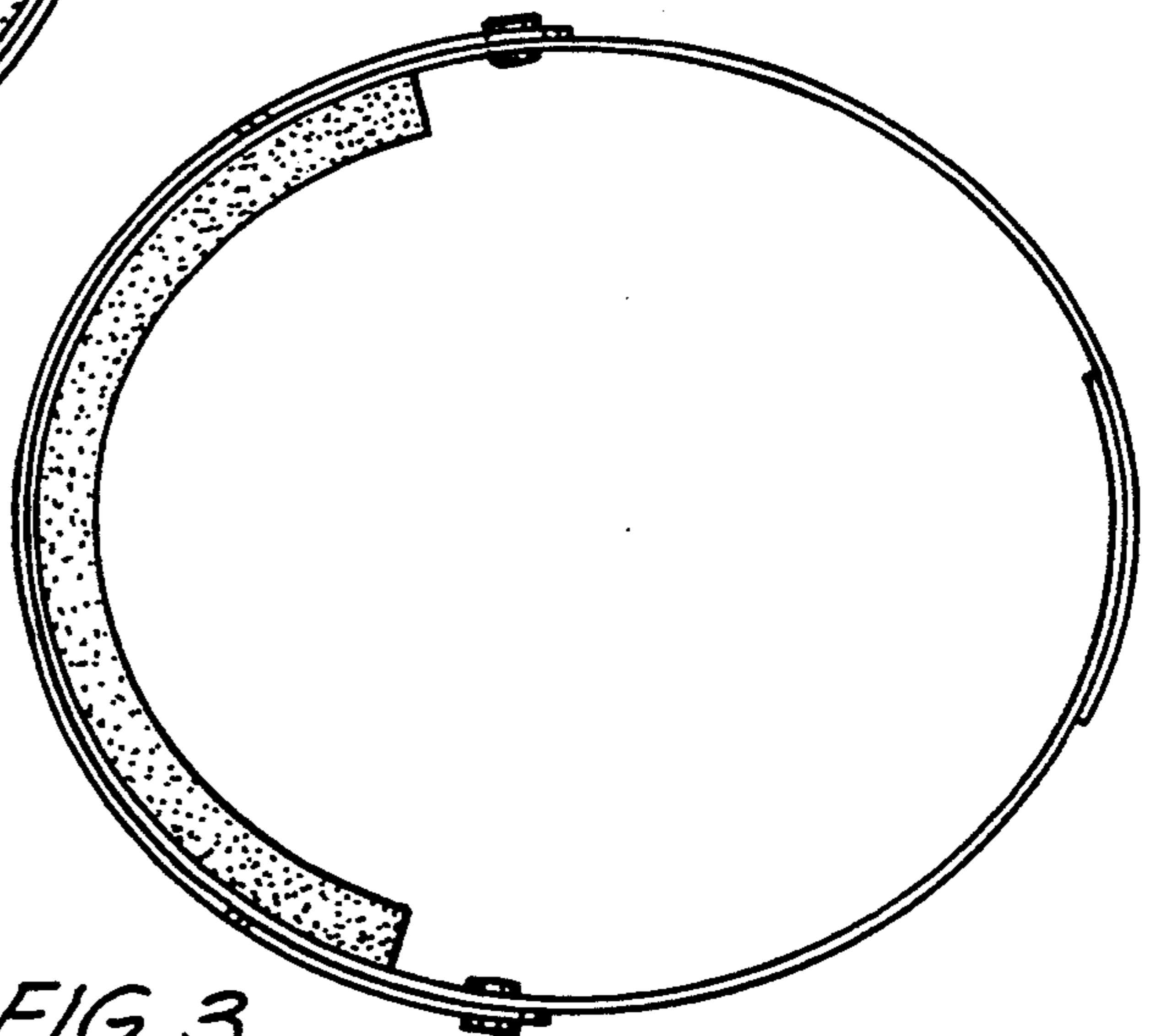


FIG. 3

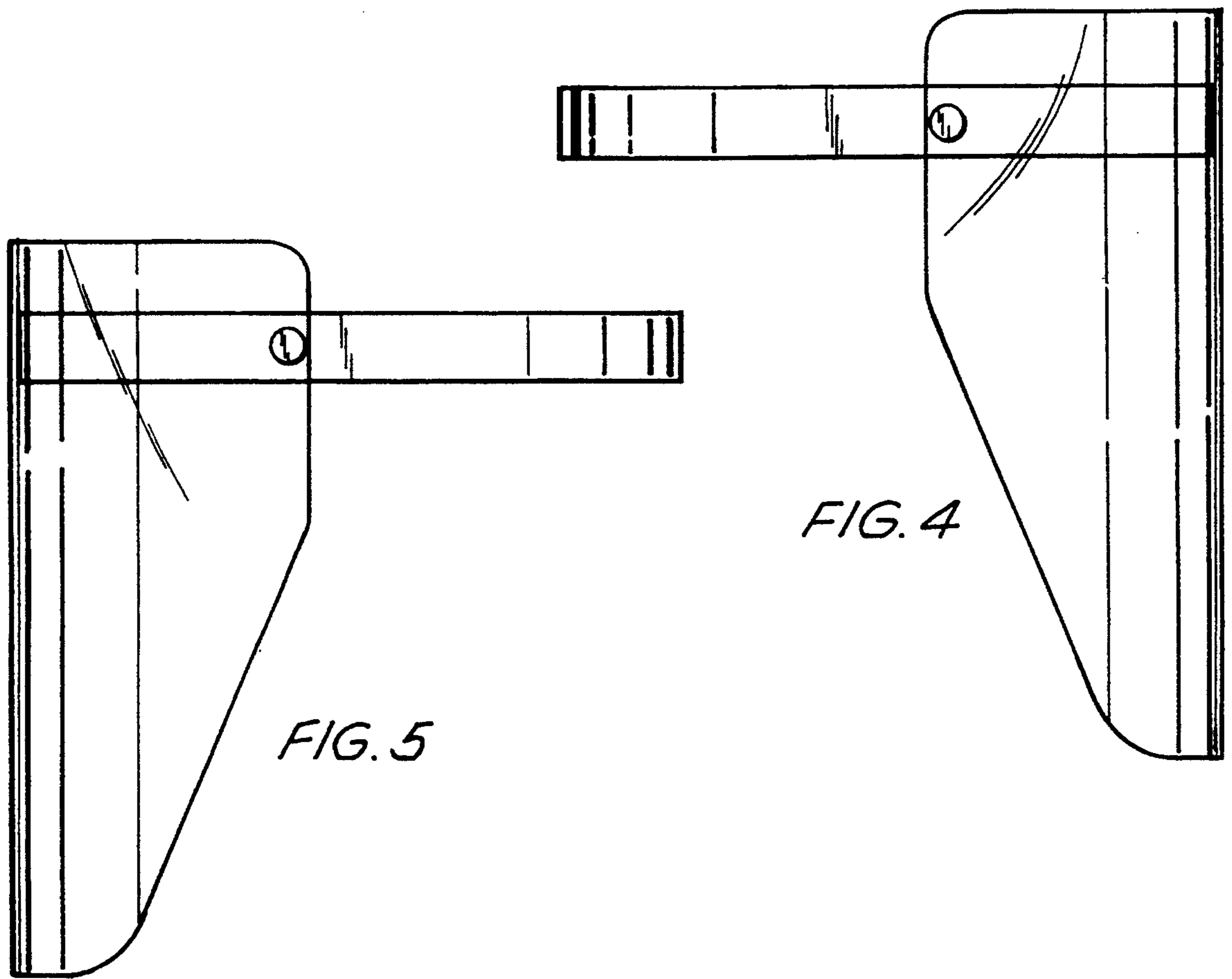


FIG. 6

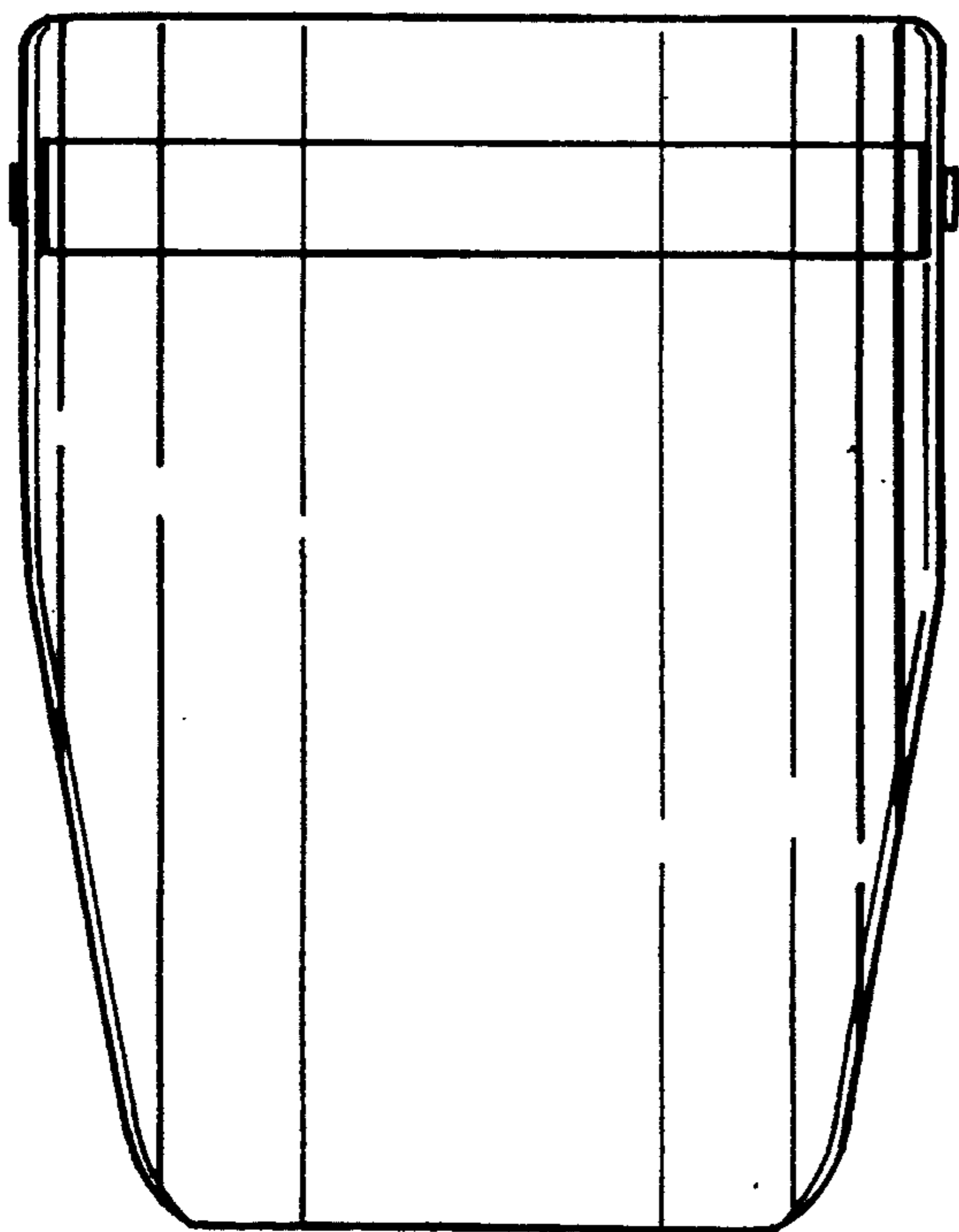


FIG. 7

