



US00D349361S

United States Patent [19]
Hartmann

[11] **Patent Number: Des. 349,361**

[45] **Date of Patent: ** Aug. 2, 1994**

[54] **COMBINATION NAIL FILE AND NAIL CLEANER WITH A TWO-PIECE CASE**

[75] **Inventor: Gerd Hartmann, Solingen, Fed. Rep. of Germany**

[73] **Assignee: J. A. Henckels Zwillingwerk AG, Solingen, Fed. Rep. of Germany**

[**] **Term: 14 Years**

[21] **Appl. No.: 2,297**

[22] **Filed: Dec. 8, 1992**

[30] **Foreign Application Priority Data**

Jun. 30, 1992 [DE] Fed. Rep. of Germany 9204692

[52] **U.S. Cl. D28/57**

[58] **Field of Search 30/26; 132/73, 73.5, 132/75.3, 75.6, 76.4, 75, 76, 2, 76.5; D28/56, 57, 59**

[56] **References Cited**

U.S. PATENT DOCUMENTS

D. 310,581	9/1990	Sadler	D28/57
1,743,010	1/1930	Wilmot	132/75.4 X
1,905,976	4/1933	Wolf	132/75.3
2,035,323	3/1936	Langdon	132/75.3
2,516,423	7/1950	Roe	132/75.6
2,841,156	7/1958	Herald	132/73.5
3,203,433	8/1965	Miller	30/26 X
4,886,078	12/1989	Shiffman	132/73

FOREIGN PATENT DOCUMENTS

3916217 11/1990 Fed. Rep. of Germany 132/73.5

Primary Examiner—B. J. Bullock

Assistant Examiner—Cheri Cohen

Attorney, Agent, or Firm—Hill, Steadman & Simpson

[57] **CLAIM**

The ornamental design for a combination nail file and nail cleaner with a two-piece case, as shown and described.

DESCRIPTION

FIG. 1 is a perspective view of a combination nail file and nail cleaner with a two-piece case showing my new design;

FIG. 2 is an exploded perspective view thereof;

FIG. 3 is an exploded perspective view with the cap omitted for ease of illustration with the combination nail file and nail cleaner with the orientation of the handle being reversed;

FIG. 4 is a top view of the handle portion shown separately for clarity of illustration;

FIG. 5 is a right side elevational view of FIG. 4; the left side being a mirror image;

FIG. 6 is a left end view of FIG. 4;

FIG. 7 is a right end view of FIG. 4;

FIG. 8 is a bottom view of FIG. 4;

FIG. 9 is a front view of the combination nail file and nail cleaner shown separately for clarity of illustration;

FIG. 10 is a top view of FIG. 9;

FIG. 11 is a rear side view of FIG. 9;

FIG. 12 is a left end view of FIG. 9;

FIG. 13 is a right end view of FIG. 9;

FIG. 14 is a bottom view of FIG. 9;

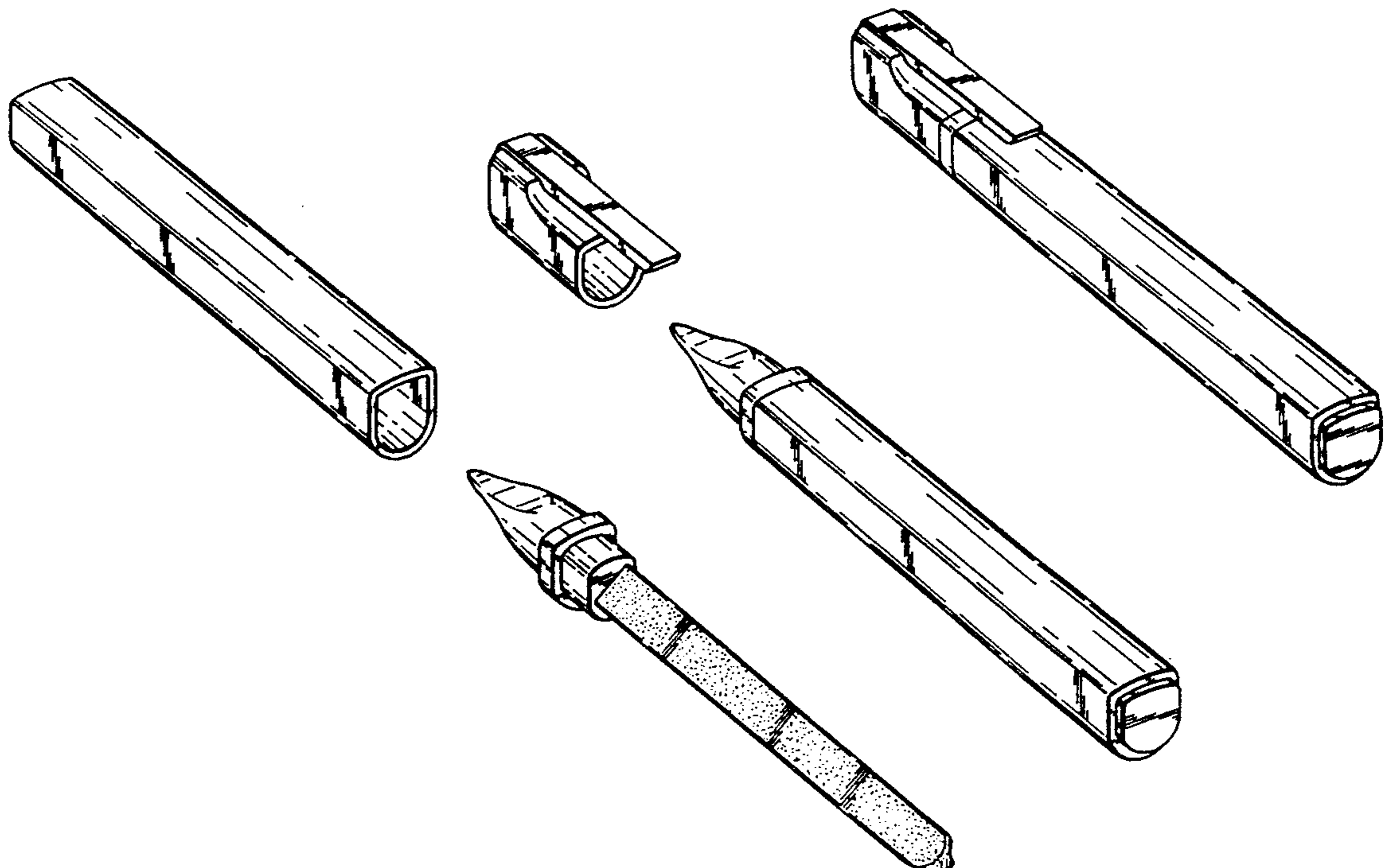
FIG. 15 is a bottom view of the cap shown separately for clarity of illustration;

FIG. 16 is a right side view of FIG. 15; the left side view being a mirror image;

FIG. 17 is a left end view of FIG. 15;

FIG. 18 is a right end view of FIG. 15; and,

FIG. 19 is a bottom view of FIG. 15.



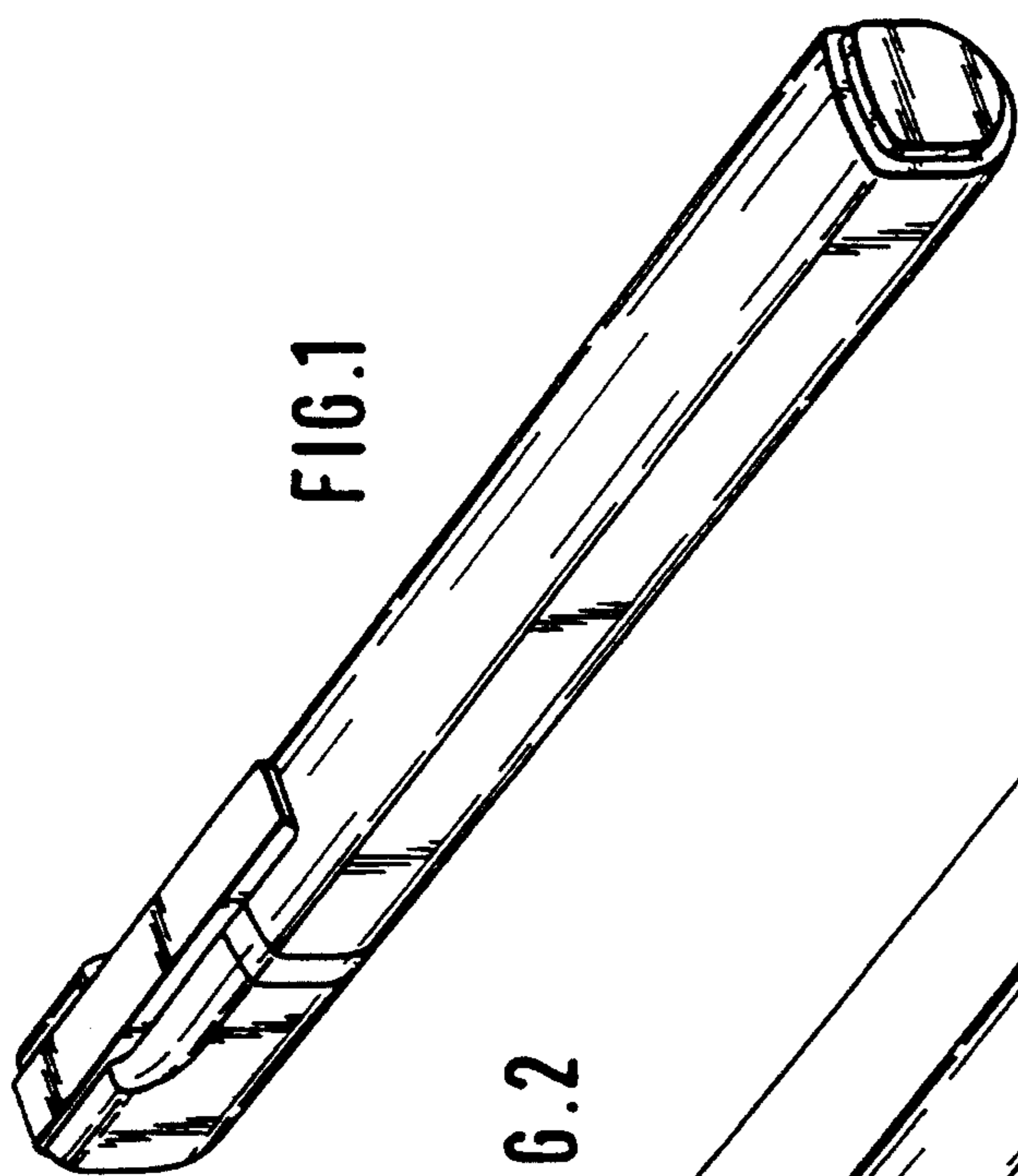


FIG. 1

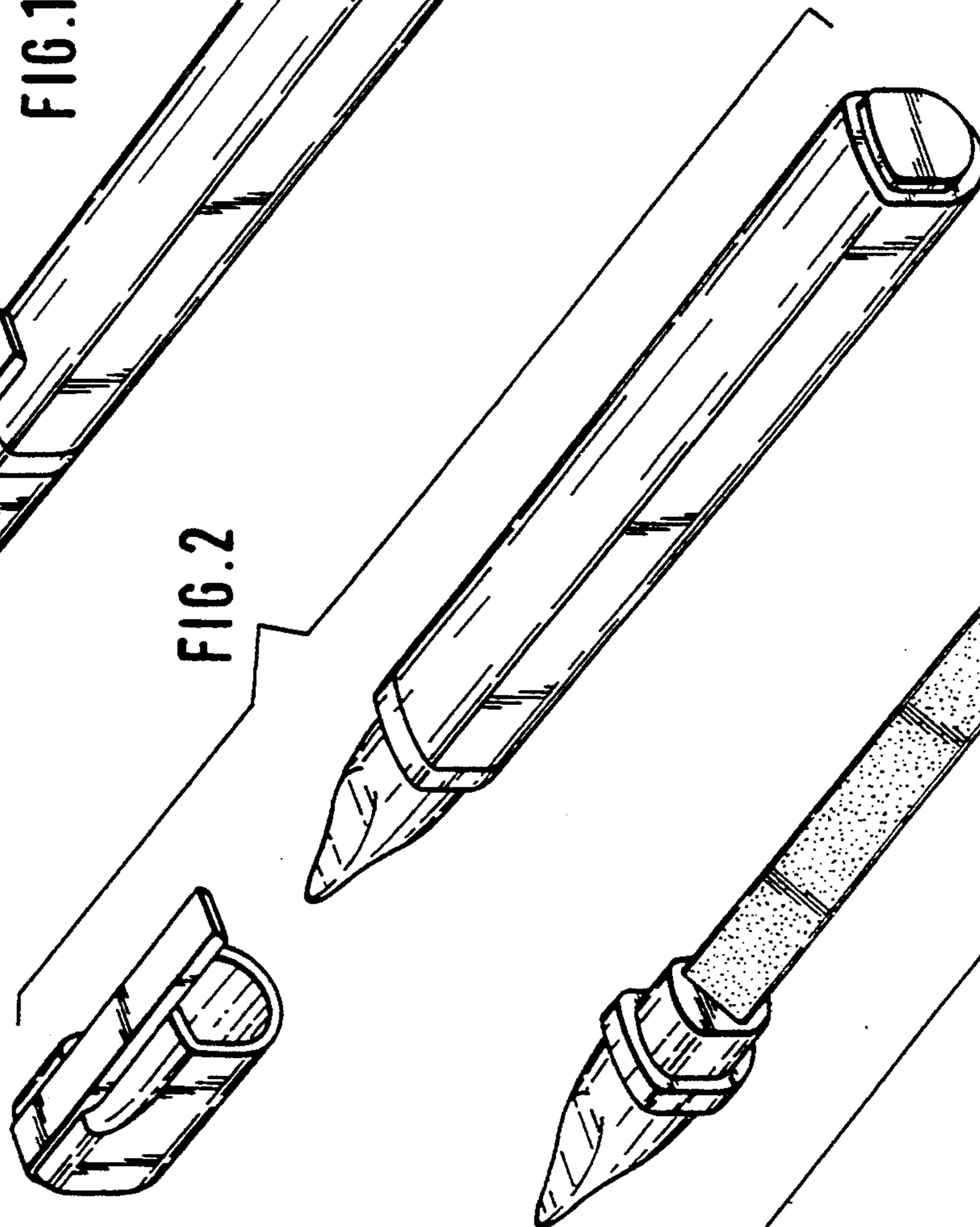


FIG. 2

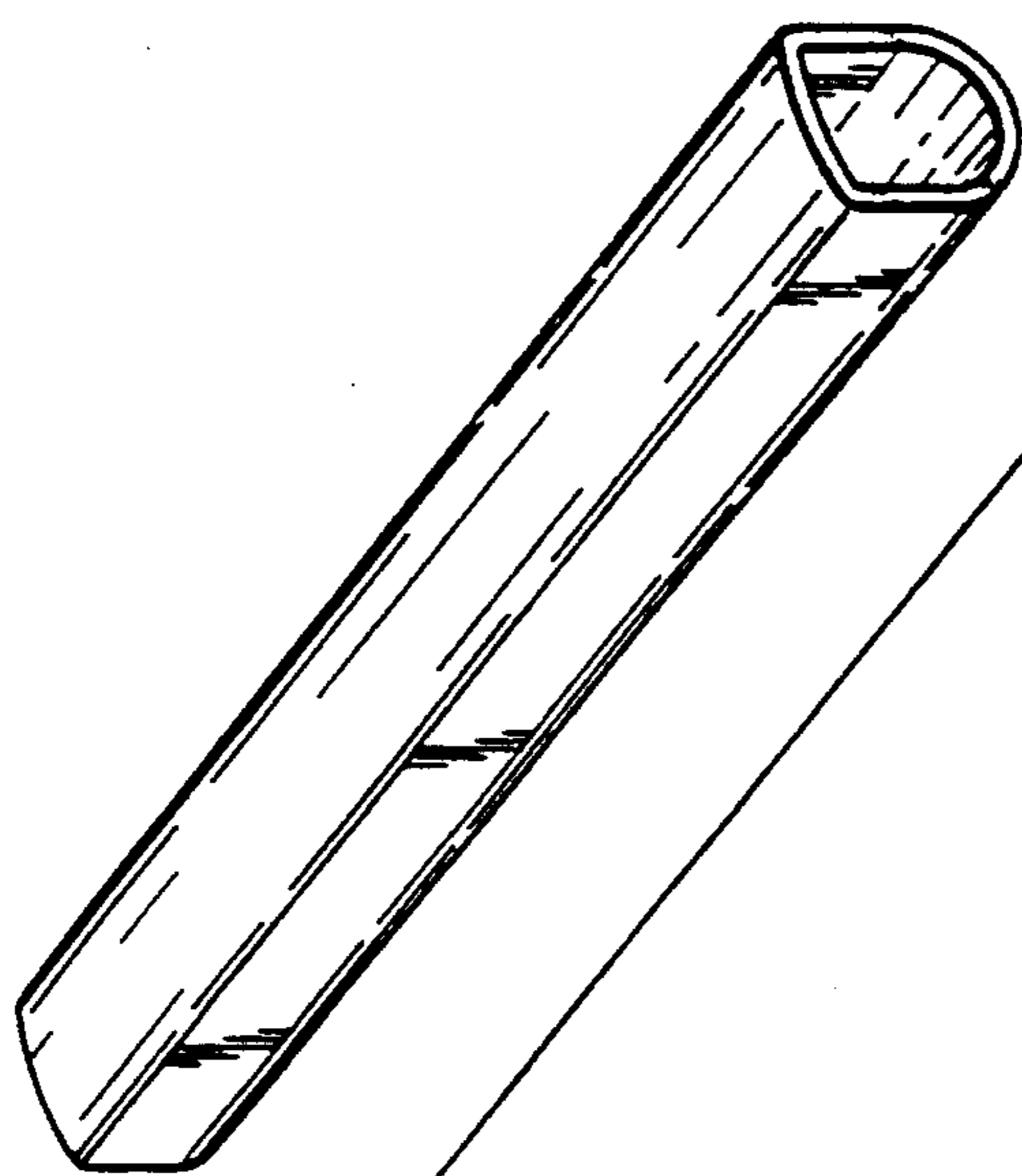


FIG. 3

FIG. 4



FIG. 6



FIG. 5



FIG. 7



FIG. 8

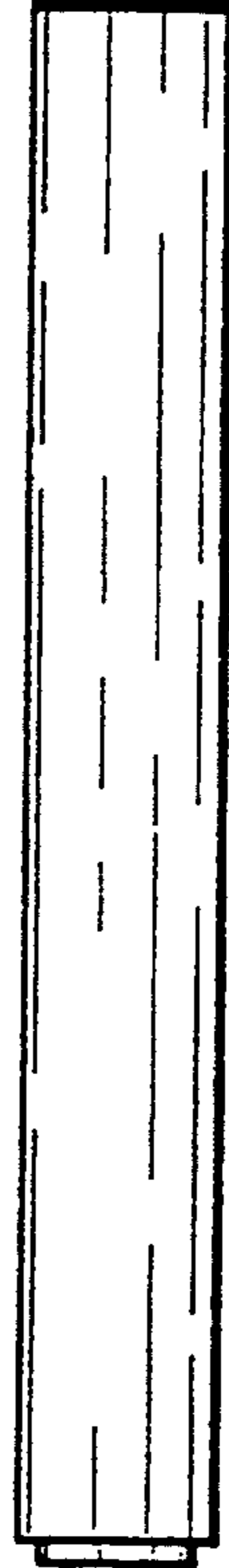


FIG. 9

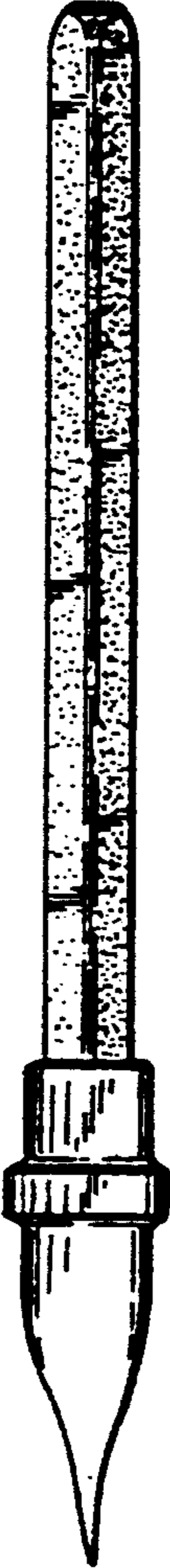


FIG. 10

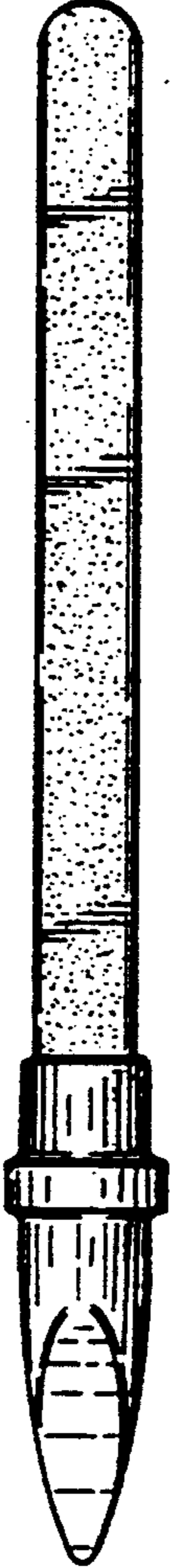


FIG. 11



FIG. 14

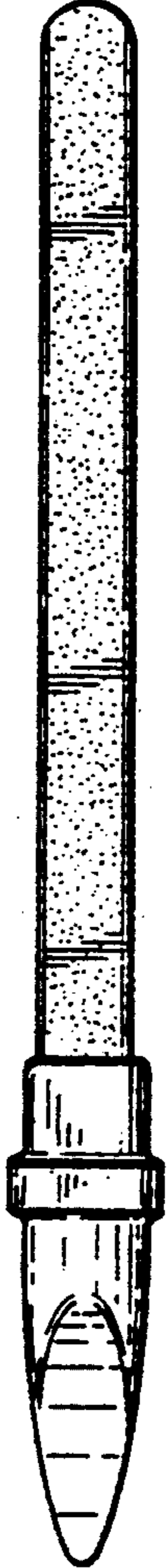


FIG. 12



FIG. 13



FIG. 15



FIG. 17

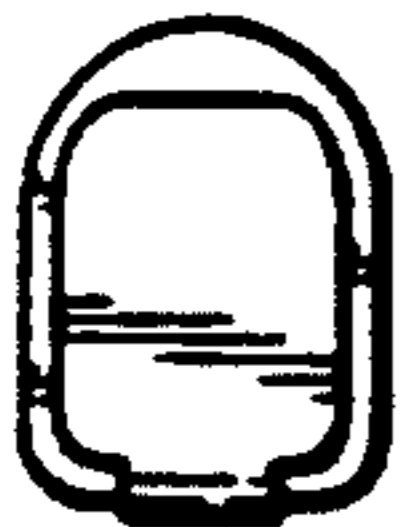


FIG. 16

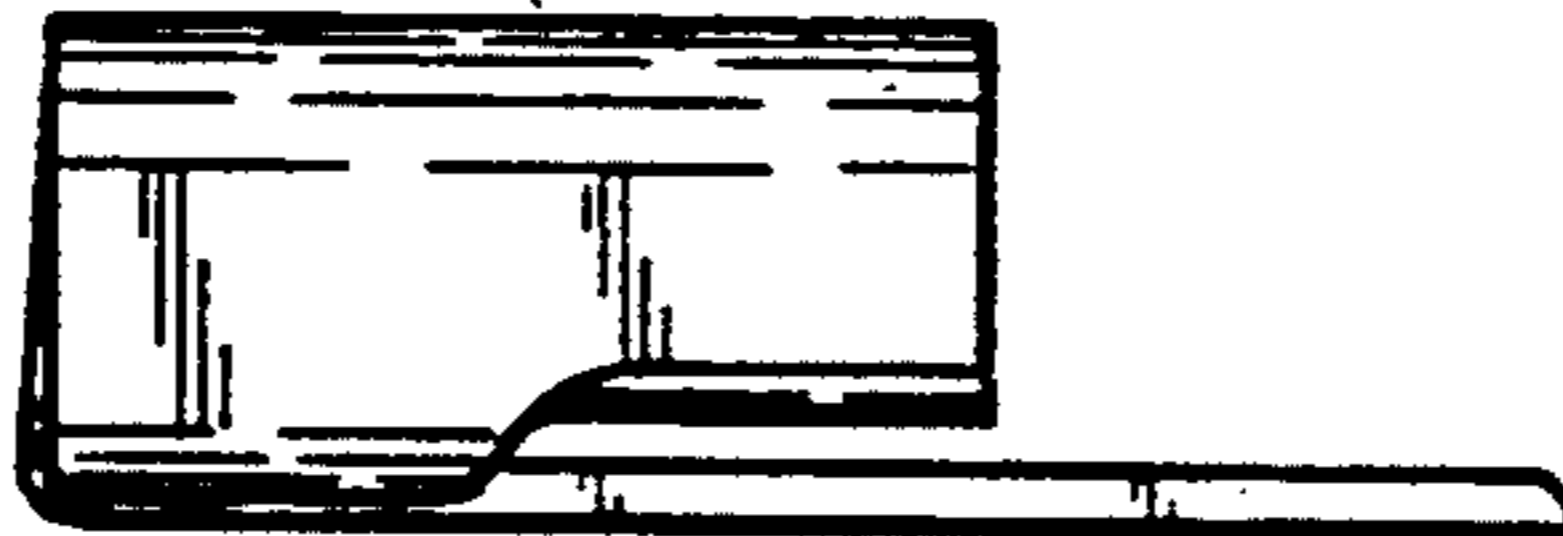


FIG. 18



FIG. 19

