



US00D349358S

United States Patent [19]

[11] Patent Number: **Des. 349,358**

Herst et al.

[45] Date of Patent: **** Aug. 2, 1994**

[54] **INDIRECT LIGHTING FIXTURE**

[75] Inventors: **Douglas J. Herst, Ross; Utkan Salman**, Emeryville, both of Calif.

[73] Assignee: **Peerless Lighting Corporation**, Berkeley, Calif.

[**] Term: **14 Years**

[21] Appl. No.: **11,392**

[22] Filed: **Aug. 3, 1993**

D. 208,572	9/1967	Wakefield	D26/76
D. 311,967	11/1990	Herst et al.	D26/76 X
2,631,225	3/1953	Gadomski	D26/78 X
2,770,717	11/1956	Schwartz et al.	362/222
4,493,013	1/1985	Hawkins	362/362 X
4,667,275	5/1987	Herst et al.	362/223

OTHER PUBLICATIONS

Architectural Forum, May 1958, p. 180, Fluorescent Lighting Fixture.

Thomas Industries, Inc. Low Profile Fluorecent Fixture brochure, 1984, p. 1, Ceiling Fixture.

Primary Examiner—Susan J. Lucas

Attorney, Agent, or Firm—Donald L. Beeson

Related U.S. Application Data

[60] Continuation-in-part of Ser. No. 260,358, Oct. 20, 1988, Pat. No. Des. 311,967, and a continuation-in-part of Ser. No. 502,663, Apr. 2, 1990, abandoned, and a continuation-in-part of Ser. No. 555,146, Jul. 19, 1990, abandoned, which is a division of Ser. No. 588,971, Sep. 27, 1990, Pat. No. Des. 341,439.

[52] U.S. Cl. **D26/85; D26/76**

[58] Field of Search 362/216, 217, 220, 222, 362/223, 224, 147, 362; D26/72, 74-92

[57] **CLAIM**

The ornamental design for an indirect lighting fixture, as shown and described.

DESCRIPTION

FIG. 1 is a front perspective view of an indirect lighting fixture showing our new design;

FIG. 2 is a right side elevational view thereof on an enlarged scale, the left side being a mirror image thereof;

FIG. 3 is a front elevational view thereof, the rear elevational view being a mirror image thereof;

FIG. 4 is a bottom plan view thereof; and,

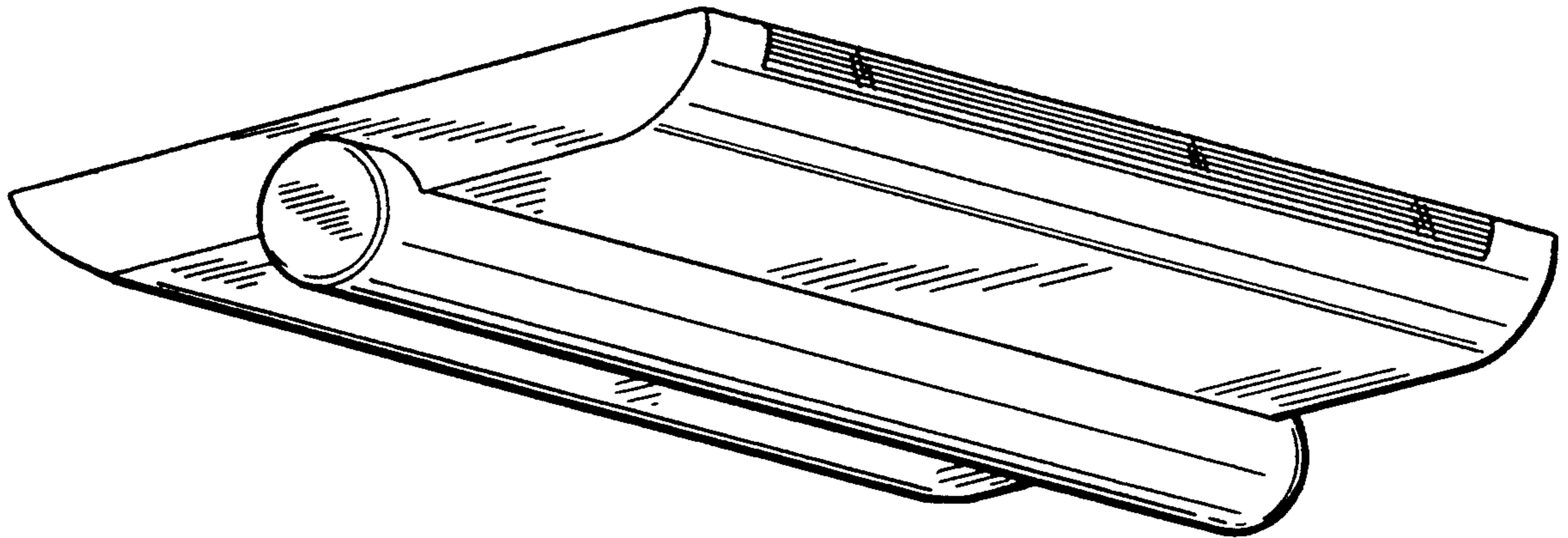
FIG. 5 is a top plan view thereof.

The broken line showing of lamps in the top plan view of the illustrated embodiment of the invention is for illustrative purposes only and forms no part of the claimed design.

References Cited

U.S. PATENT DOCUMENTS

D. 110,165	6/1938	Arenburg	D26/76 X
D. 131,195	1/1942	Hass	D26/76
D. 136,797	12/1943	Mareck	D26/76
D. 139,669	12/1944	Lippincott	D26/76
D. 140,107	1/1945	Lippincott	D26/76
D. 185,410	6/1959	Bodian et al.	D26/76
D. 192,607	4/1962	Cooke	D26/76



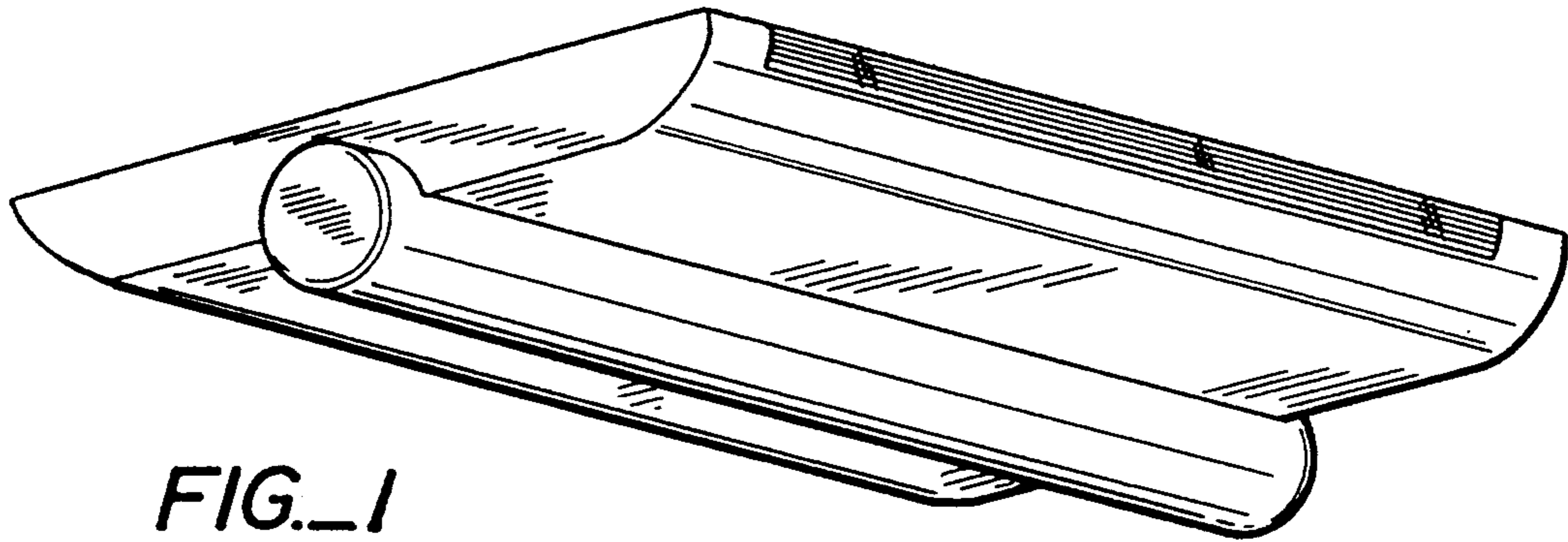


FIG. 1

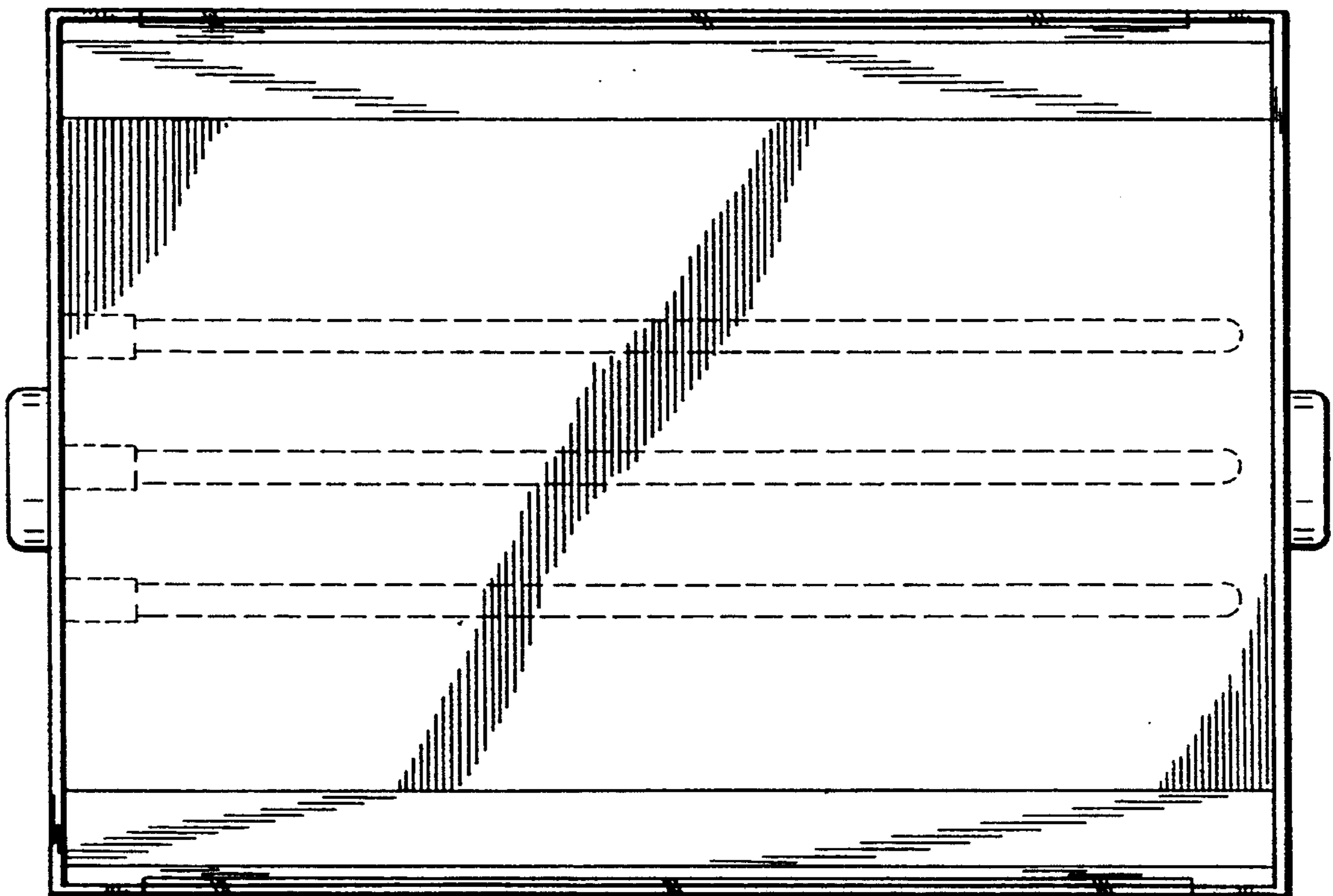


FIG. 5

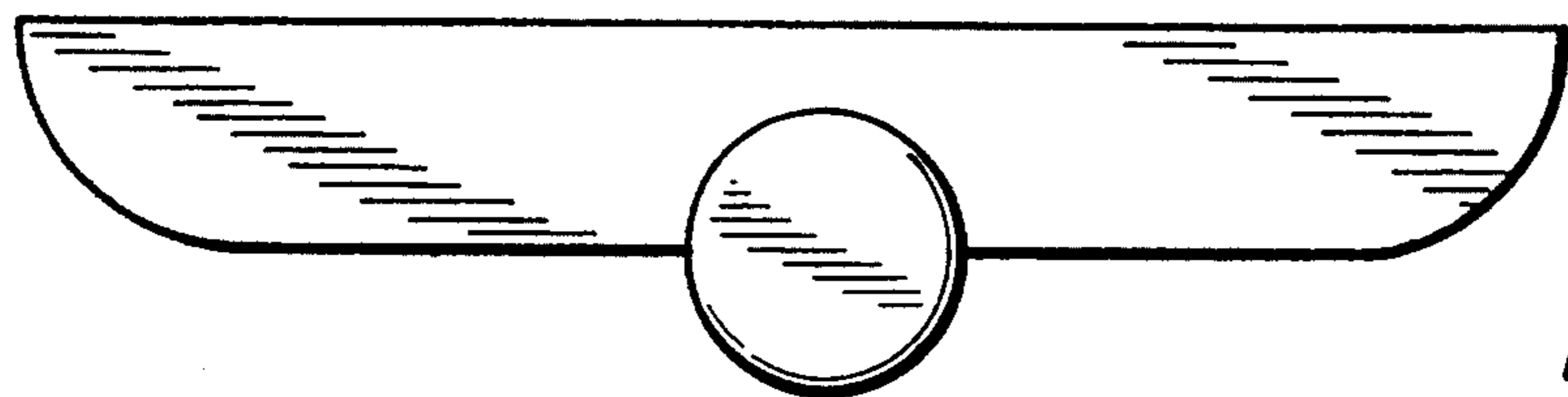


FIG. 2

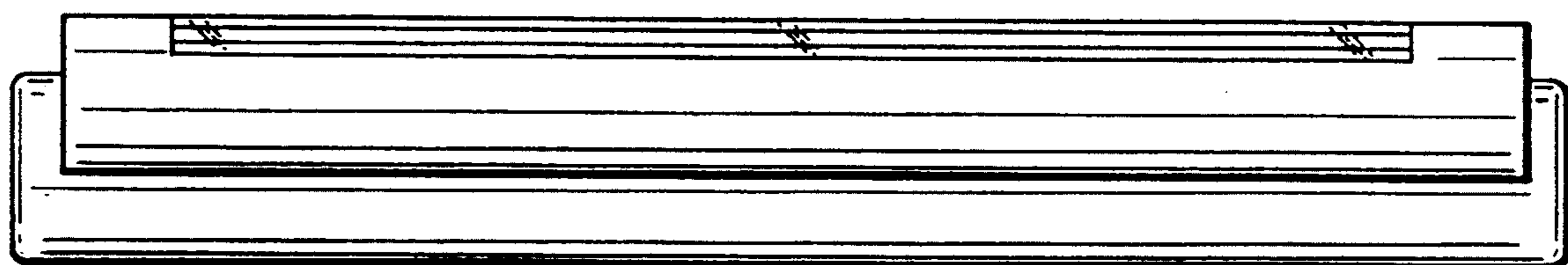


FIG. 3

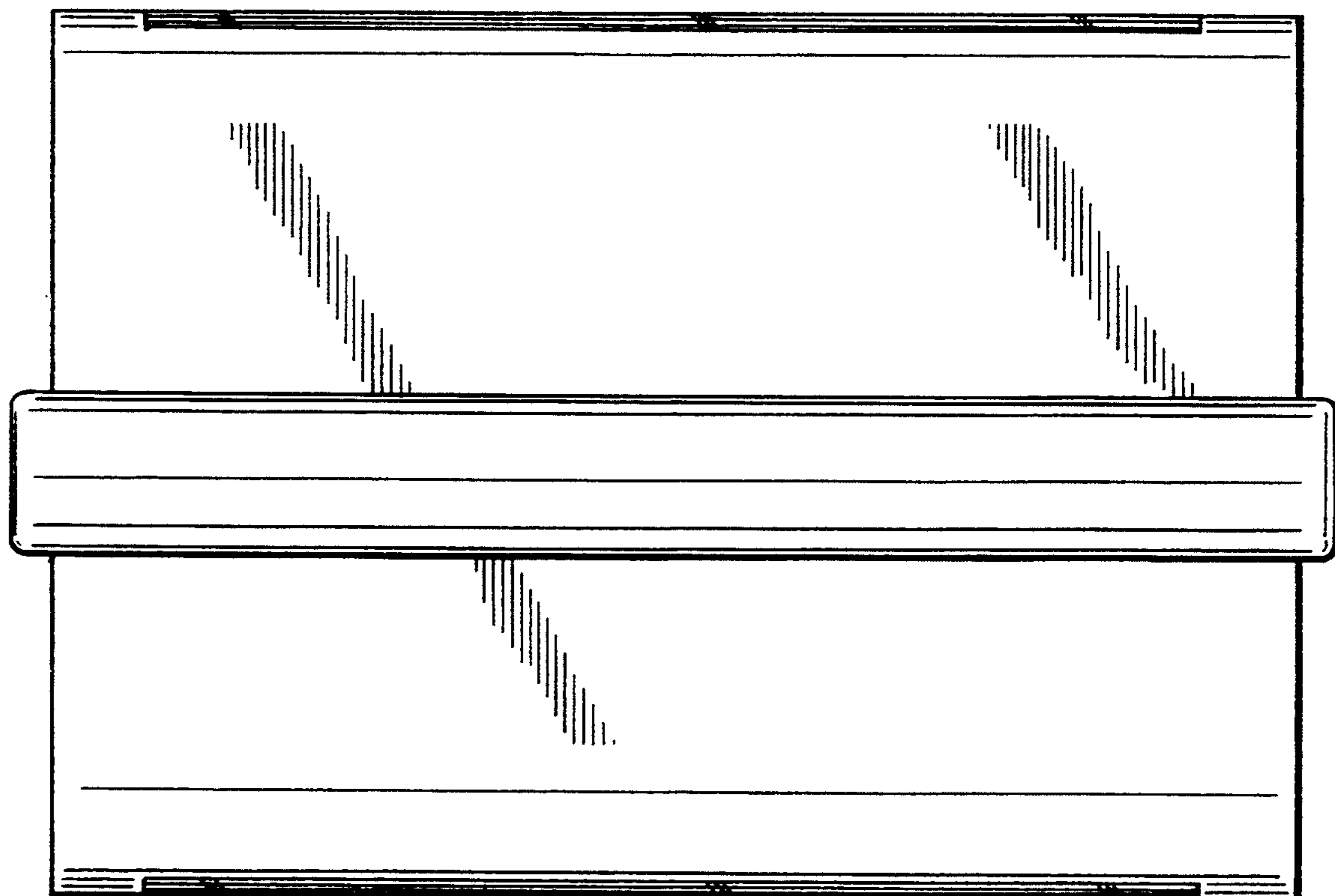


FIG. 4