



US00D349356S

United States Patent [19]

[11] Patent Number: **Des. 349,356**

Layne

[45] Date of Patent: **** Aug. 2, 1994**

[54] ADJUSTABLE SPOT LIGHT

[75] Inventor: **Bruce N. Layne, Wheaton, Ill.**

[73] Assignee: **Cooper Industries, Houston, Tex.**

[**] Term: **14 Years**

[21] Appl. No.: **830,245**

[22] Filed: **Feb. 4, 1992**

[52] U.S. Cl. **D26/63**

[58] Field of Search 362/147, 169, 275, 285,
362/418, 419, 427; D26/60-65

[56] References Cited

U.S. PATENT DOCUMENTS

D. 326,162	5/1992	Price	D26/63
D. 326,928	6/1992	Werely	D26/63 X
4,727,460	2/1988	Payne	362/269

OTHER PUBLICATIONS

House Beautiful, Dec. 1959, p. 222, Baffle Louver.
Lazin Lighting Grip 36 Series catalog, 1986, front cover, Spotlight.

Primary Examiner—Susan J. Lucas
Attorney, Agent, or Firm—Burns, Doane, Swecker & Mathis

[57] CLAIM

The ornamental design for an adjustable spot light, as shown and described.

DESCRIPTION

FIG. 1 is a front view of an adjustable spot light showing my new design;
FIG. 2 is a right-side view thereof;
FIG. 3 is a top view thereof;
FIG. 4 is a back view thereof;
FIG. 5 is a left-side view thereof; and,
FIG. 6 is a bottom view thereof.

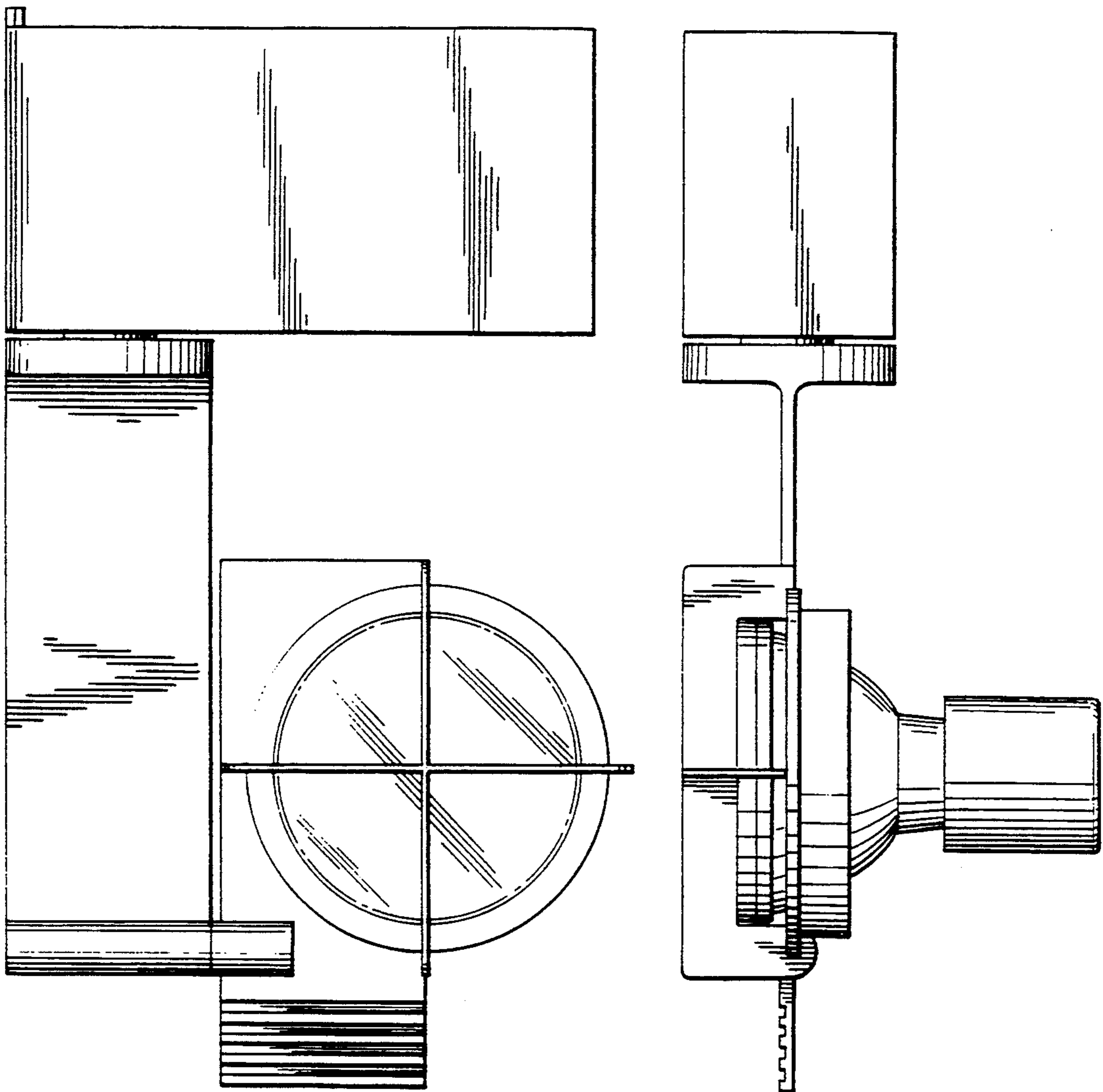


Fig. 1

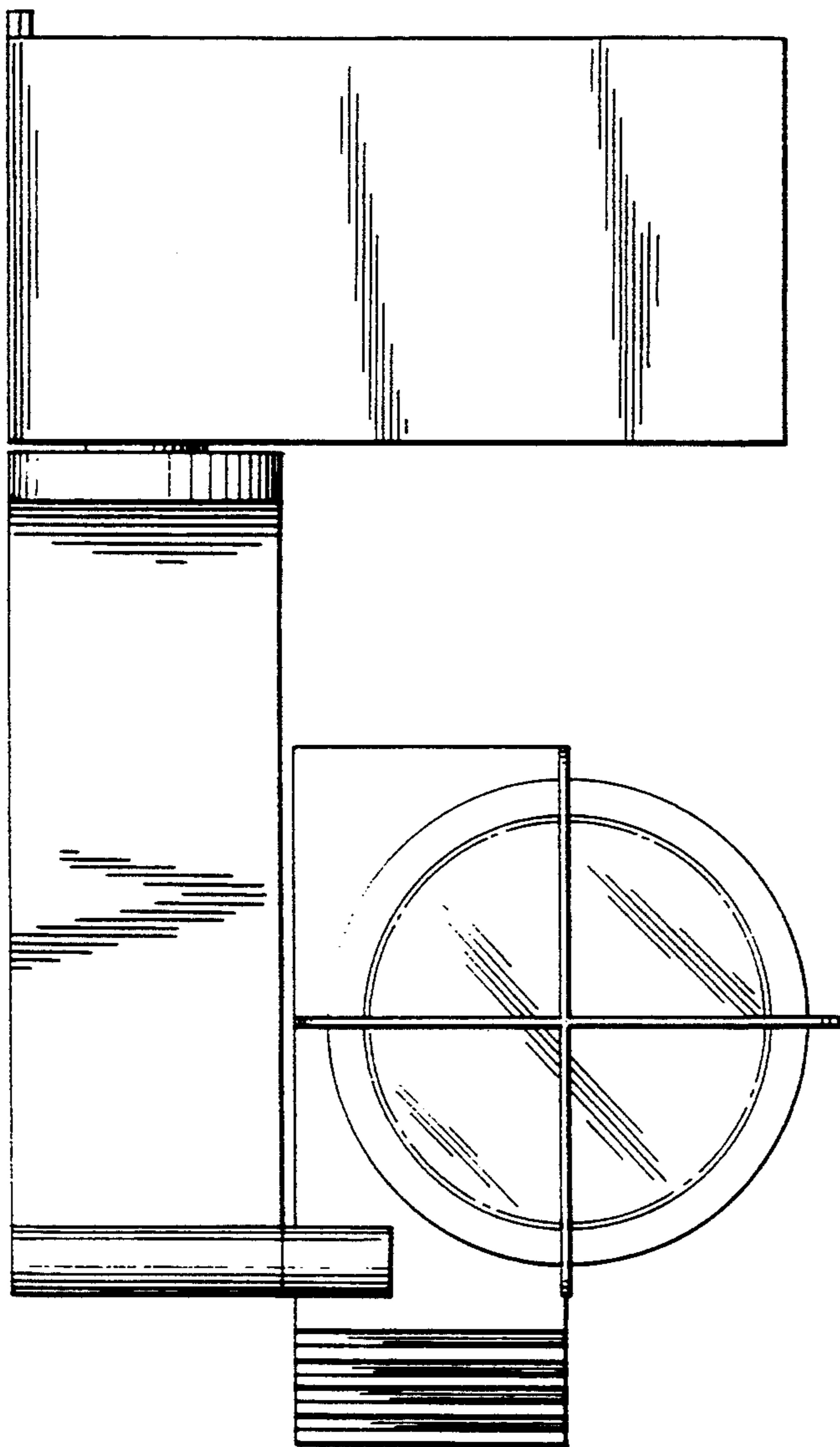


Fig. 2

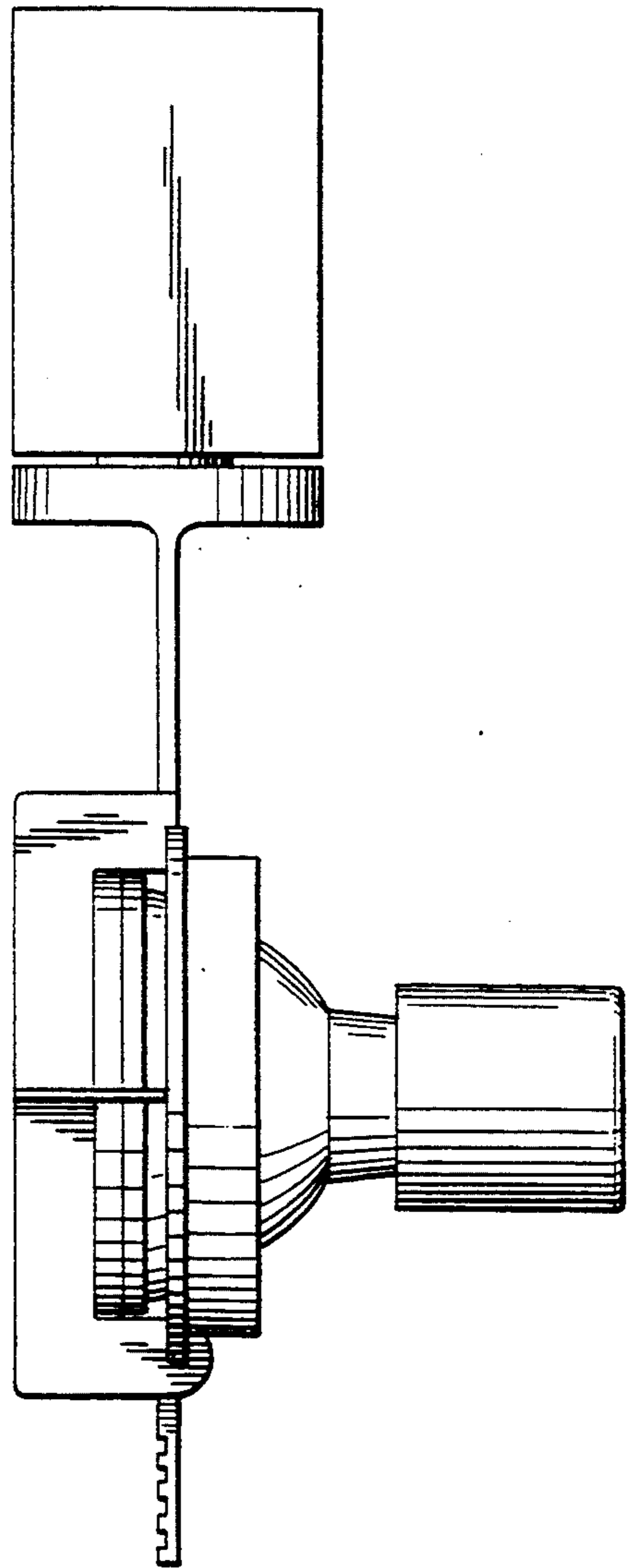


Fig. 3

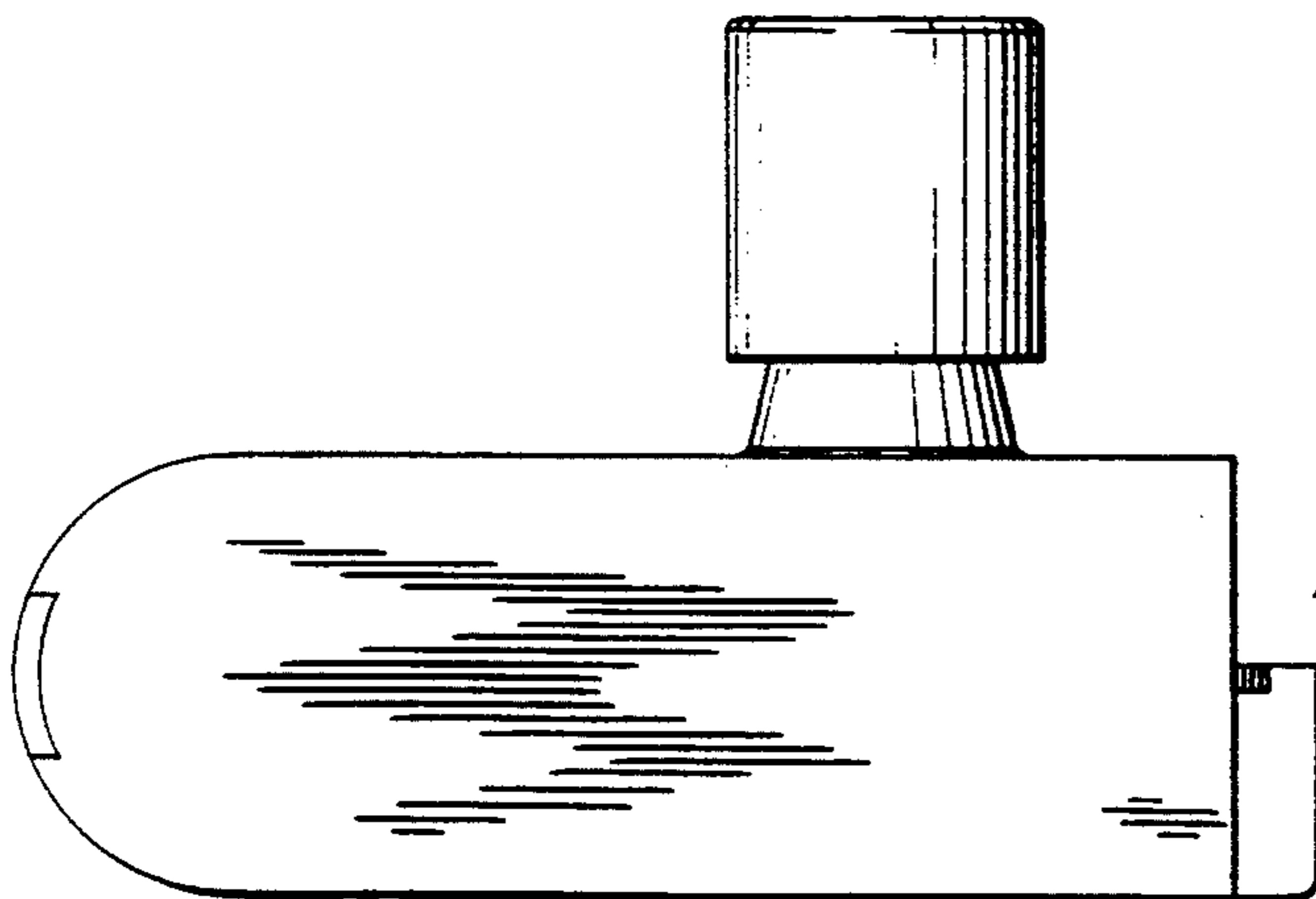


FIG. 4

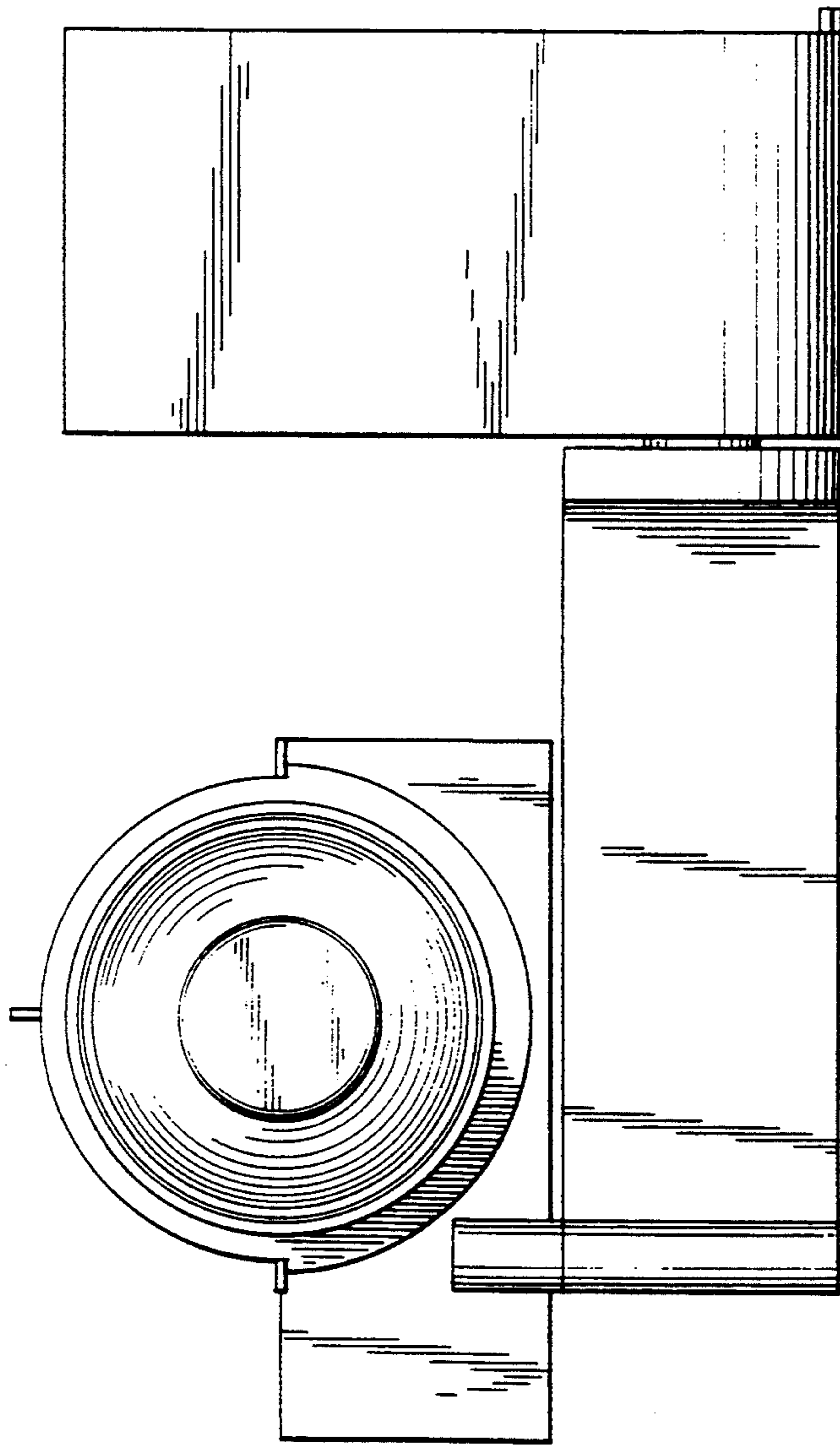


FIG. 5

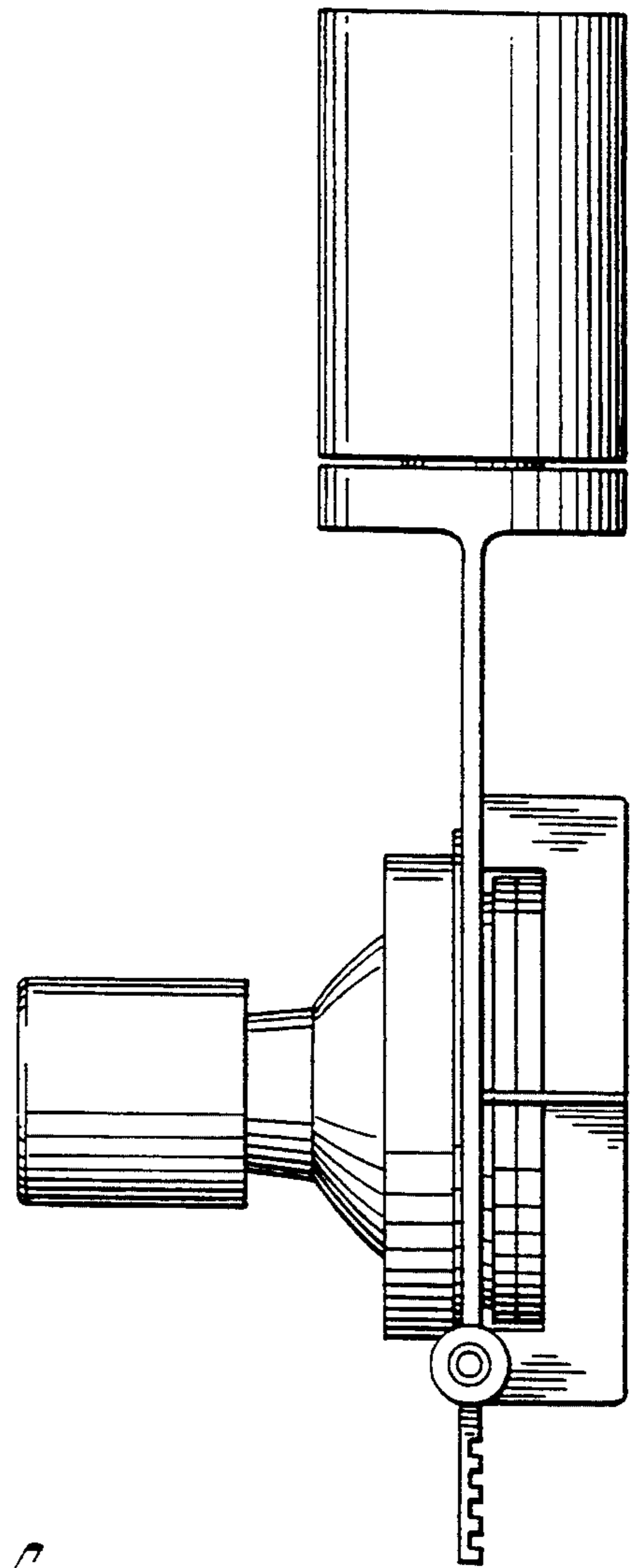


FIG. 6

