



US00D349355S

United States Patent [19]

Yau

[11] Patent Number: **Des. 349,355**

[45] Date of Patent: **** Aug. 2, 1994**

[54] **FLASHLIGHT**

[75] Inventor: **Kai C. A. Yau, Kowloon, Hong Kong**

[73] Assignee: **World Hint Limited, Kowloon, Hong Kong**

[**] Term: **14 Years**

[21] Appl. No.: **399**

[22] Filed: **Oct. 13, 1992**

[30] **Foreign Application Priority Data**

May 27, 1992 [GB] United Kingdom 2023153

[52] U.S. Cl. **D26/37**

[58] Field of Search 362/157, 158, 183, 184, 362/185, 186, 188, 189, 190, 191, 196, 197, 198, 200, 202, 205, 206, 208; D26/37-50

[56] **References Cited**

U.S. PATENT DOCUMENTS

D. 289,800 5/1987 Jenne D26/48

3,124,306 3/1964 Schotz 362/157
3,535,506 10/1970 Moore 362/184
3,794,825 2/1974 Krupansky 362/158
4,285,030 8/1981 Menelly 362/208

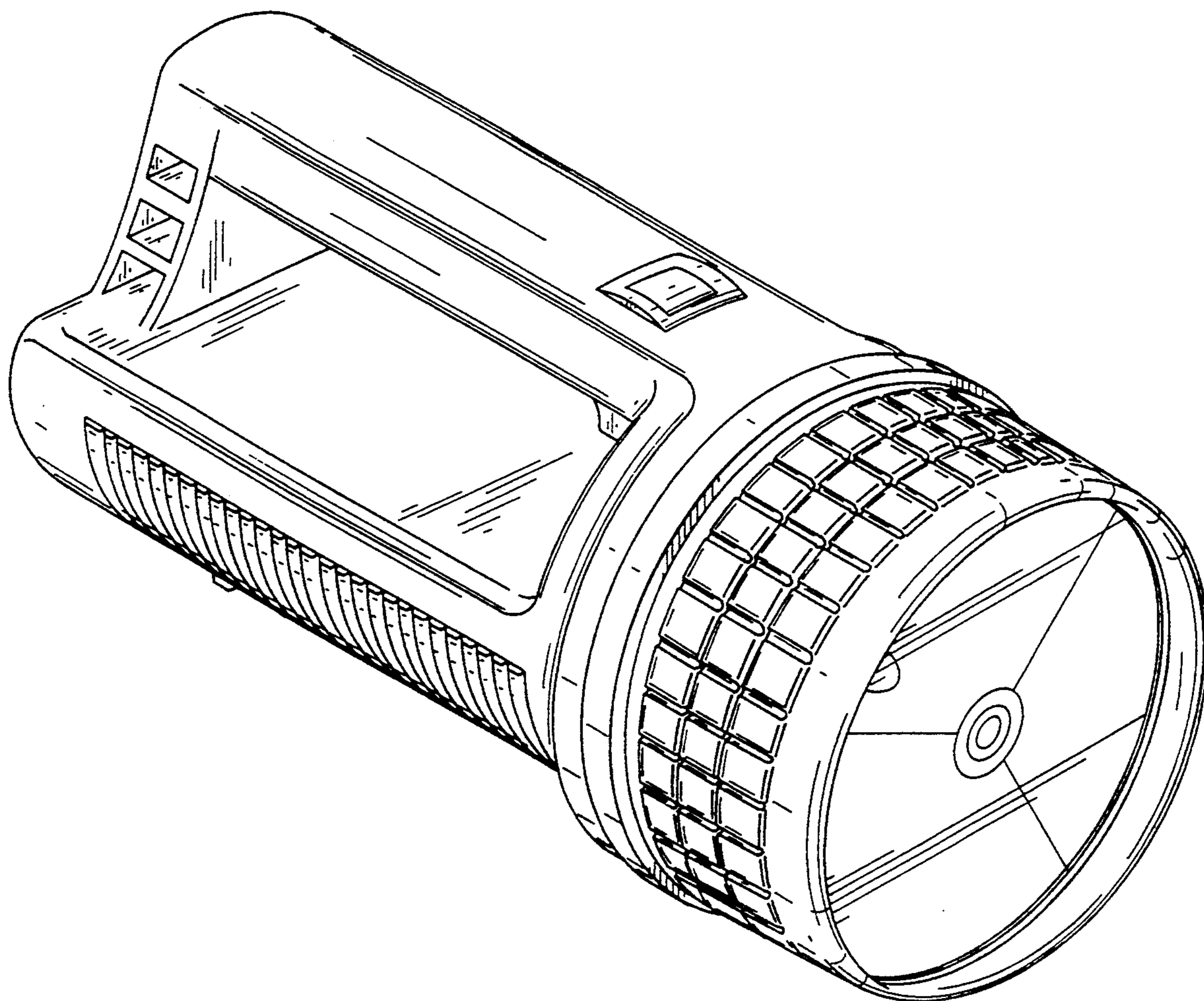
Primary Examiner—Wallace R. Burke
Assistant Examiner—Marcus Jackson
Attorney, Agent, or Firm—Blakely, Sokoloff, Taylor & Zafman

[57] **CLAIM**

The ornamental design for flashlight, as shown and described.

DESCRIPTION

FIG. 1 is a perspective view from a front end and from a first side and above;
FIG. 2 is a front elevational view;
FIG. 3 is a rear elevational view;
FIG. 4 is a bottom elevational view;
FIG. 5 is a top elevational view;
FIG. 6 is a side elevational view of the first side; and,
FIG. 7 is an elevational view of the side opposite from the first side.



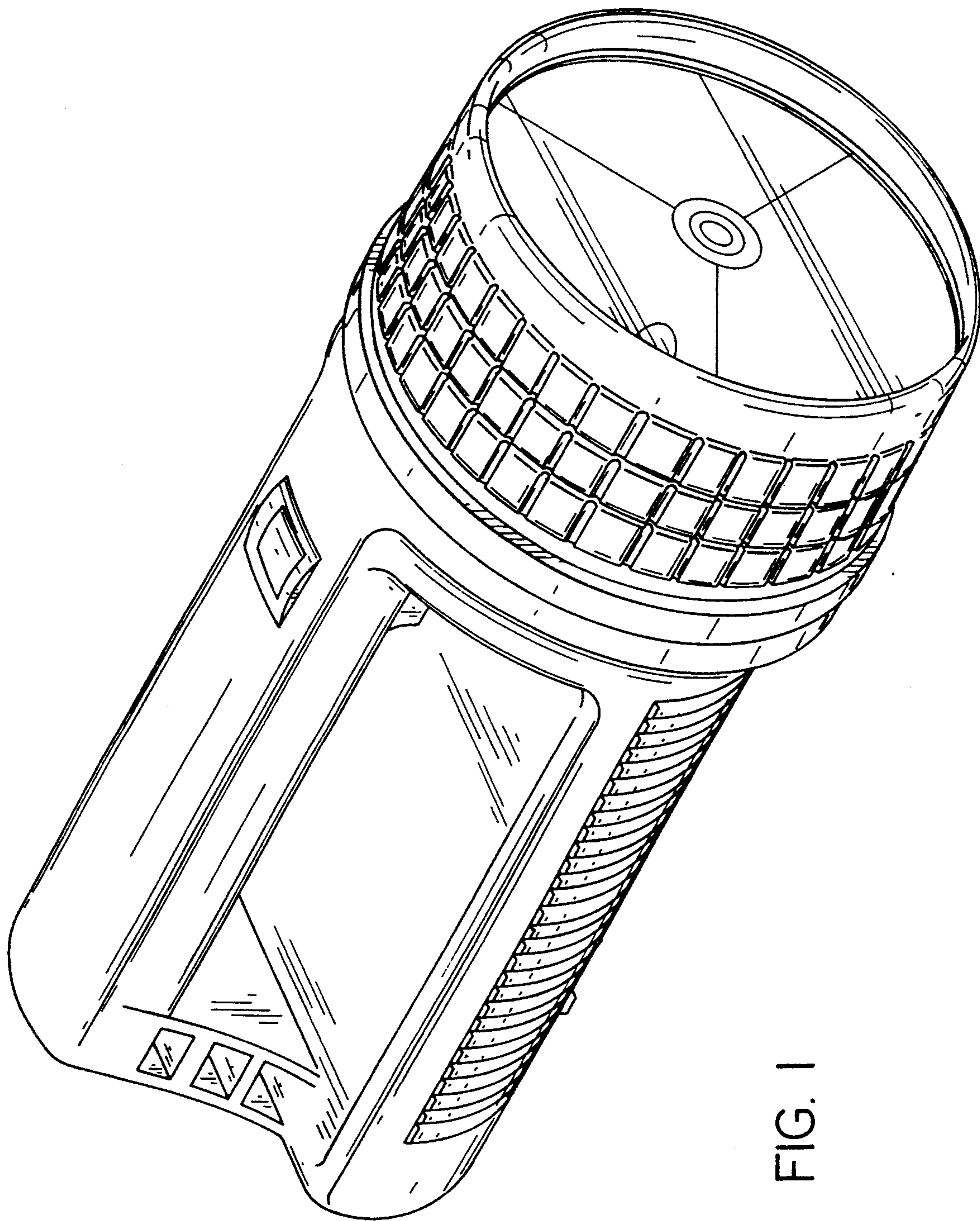


FIG. 1

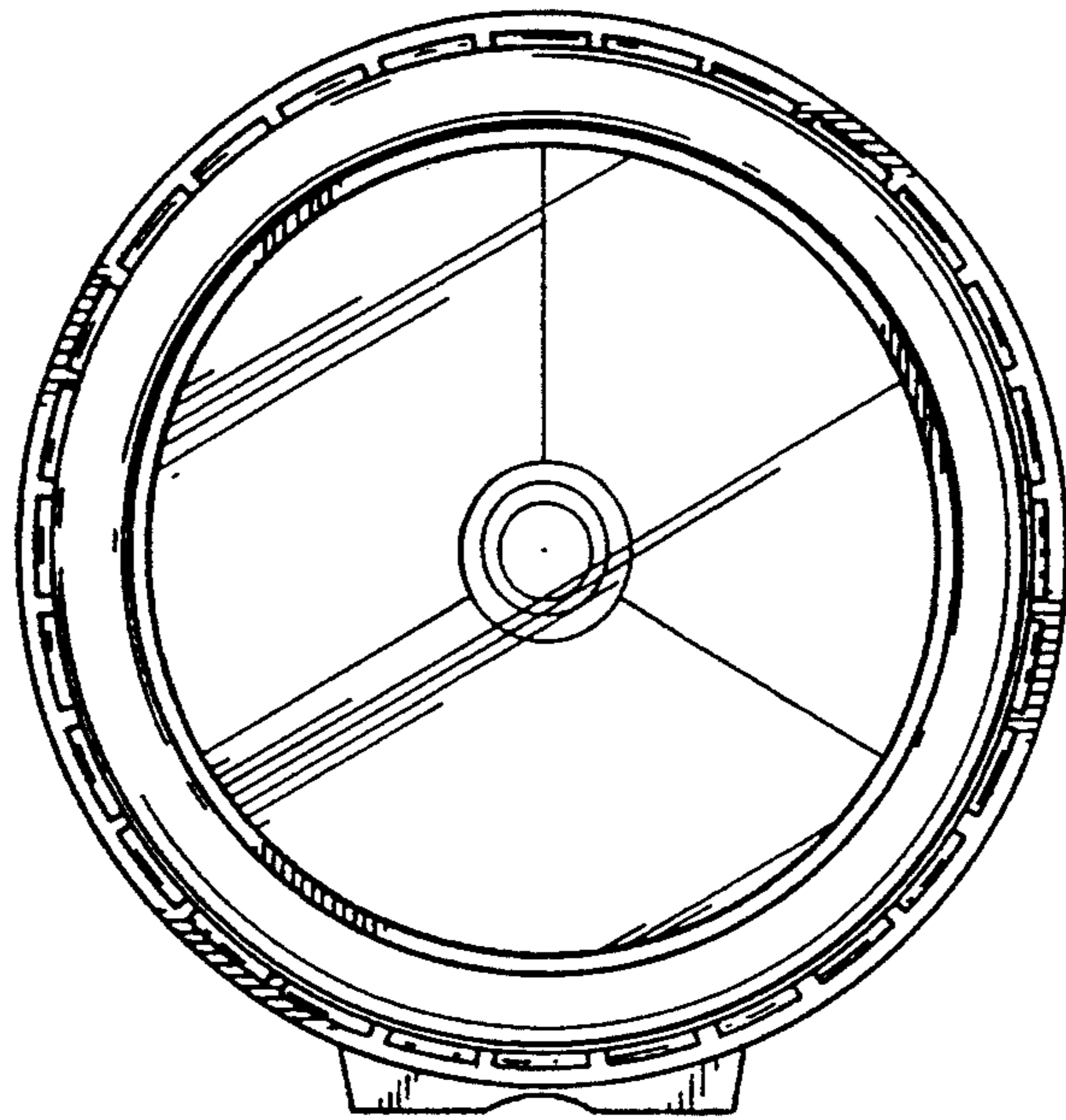


FIG. 2

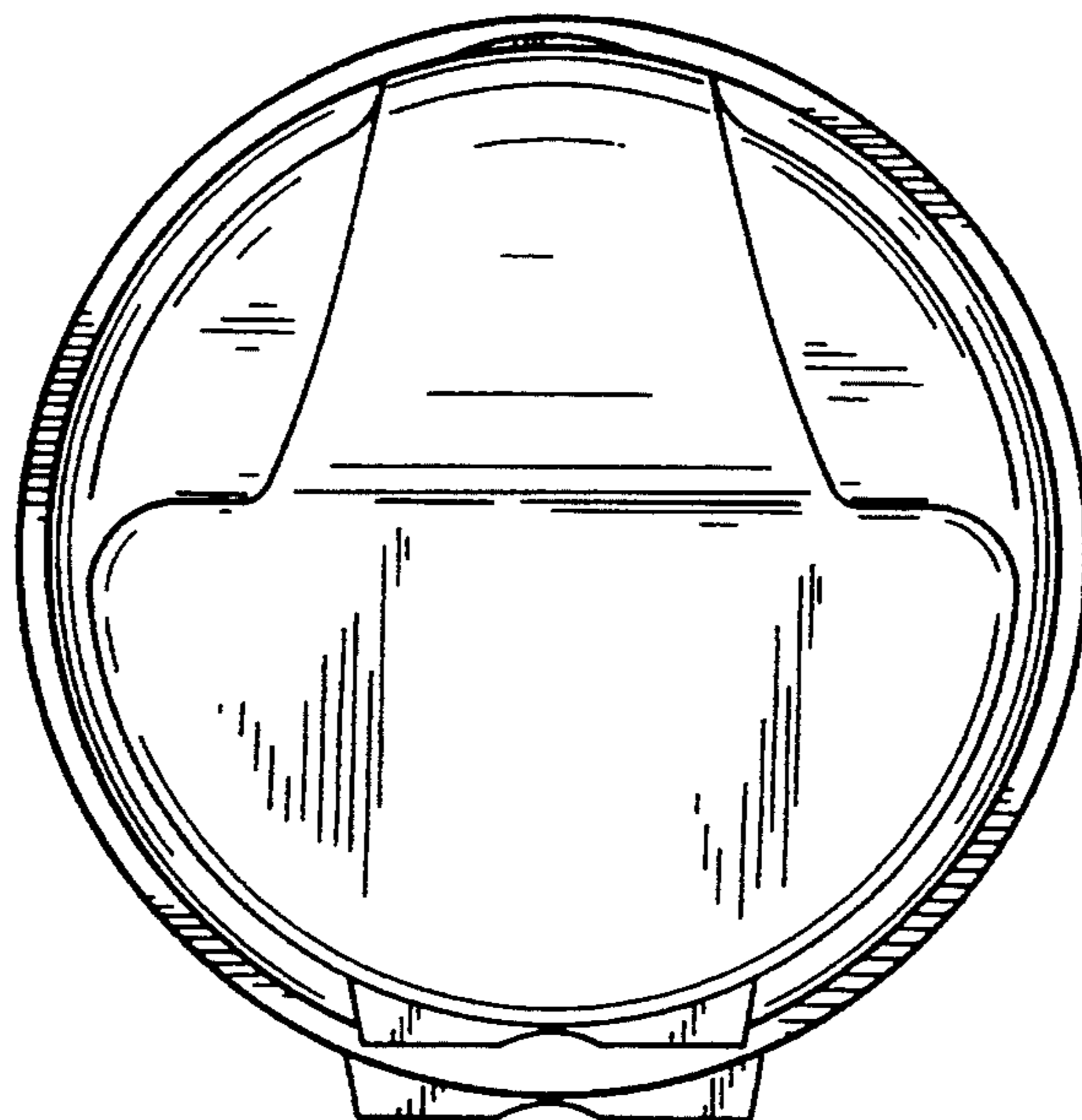


FIG. 3

FIG. 4

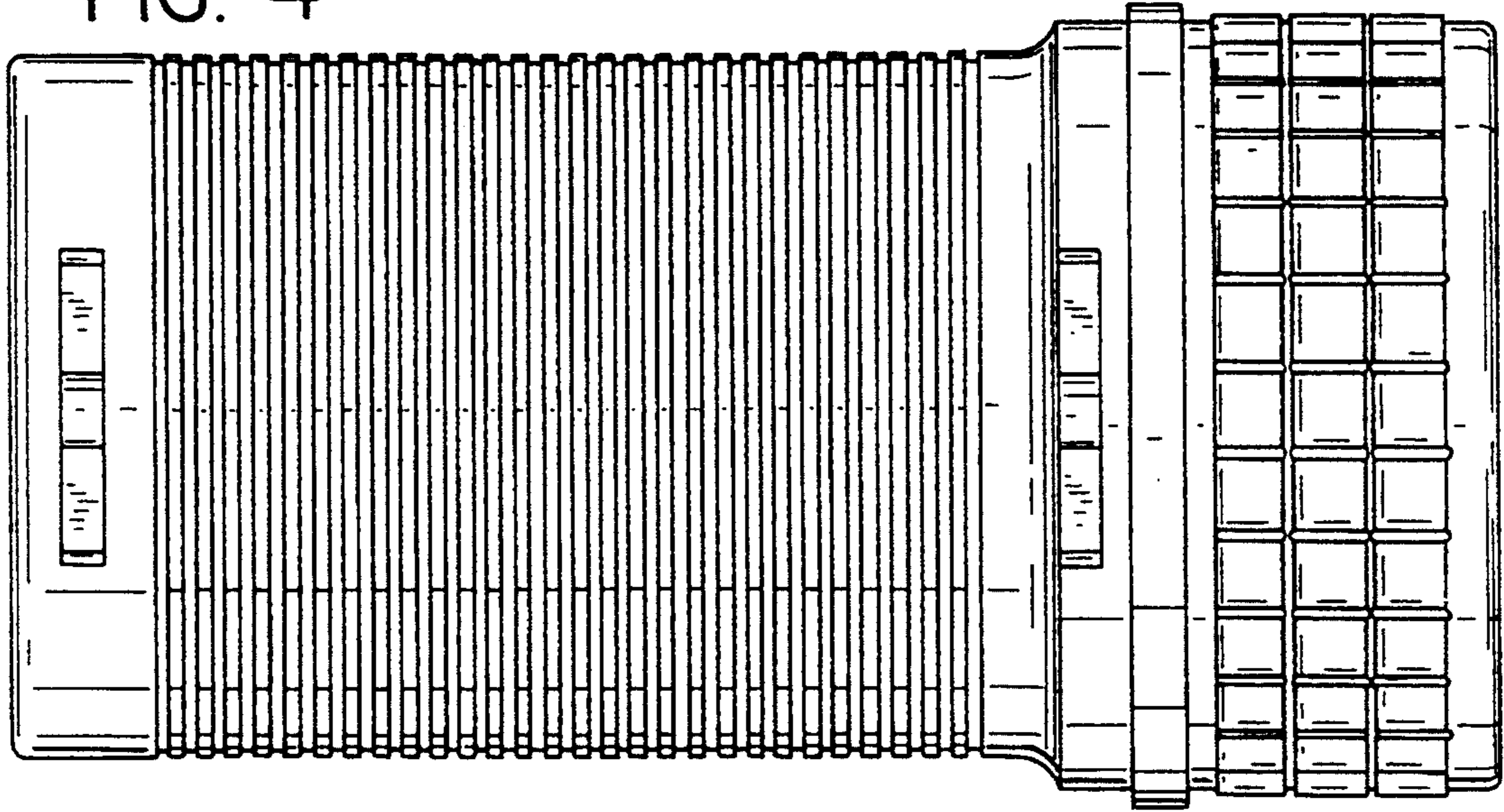
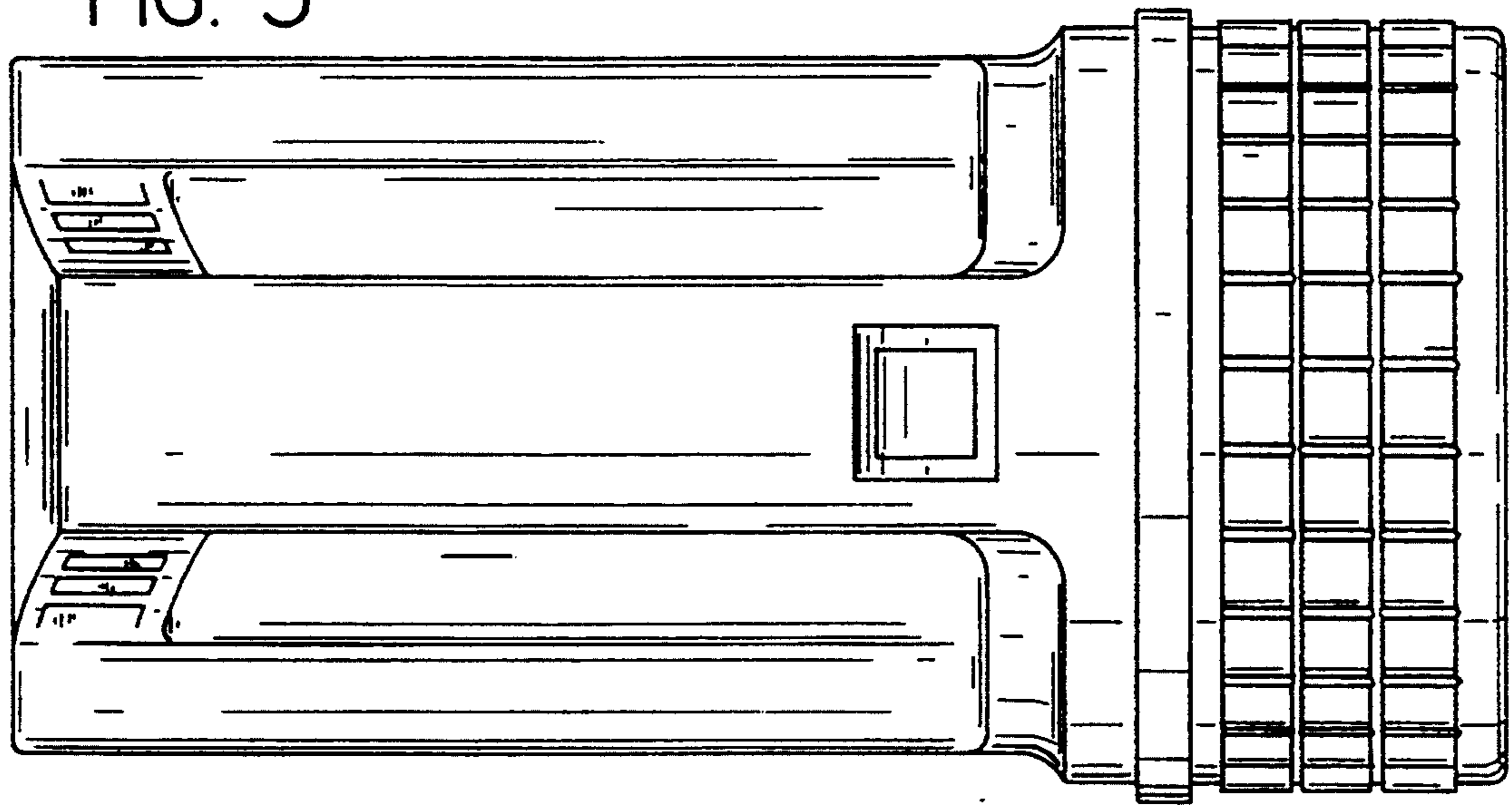


FIG. 5



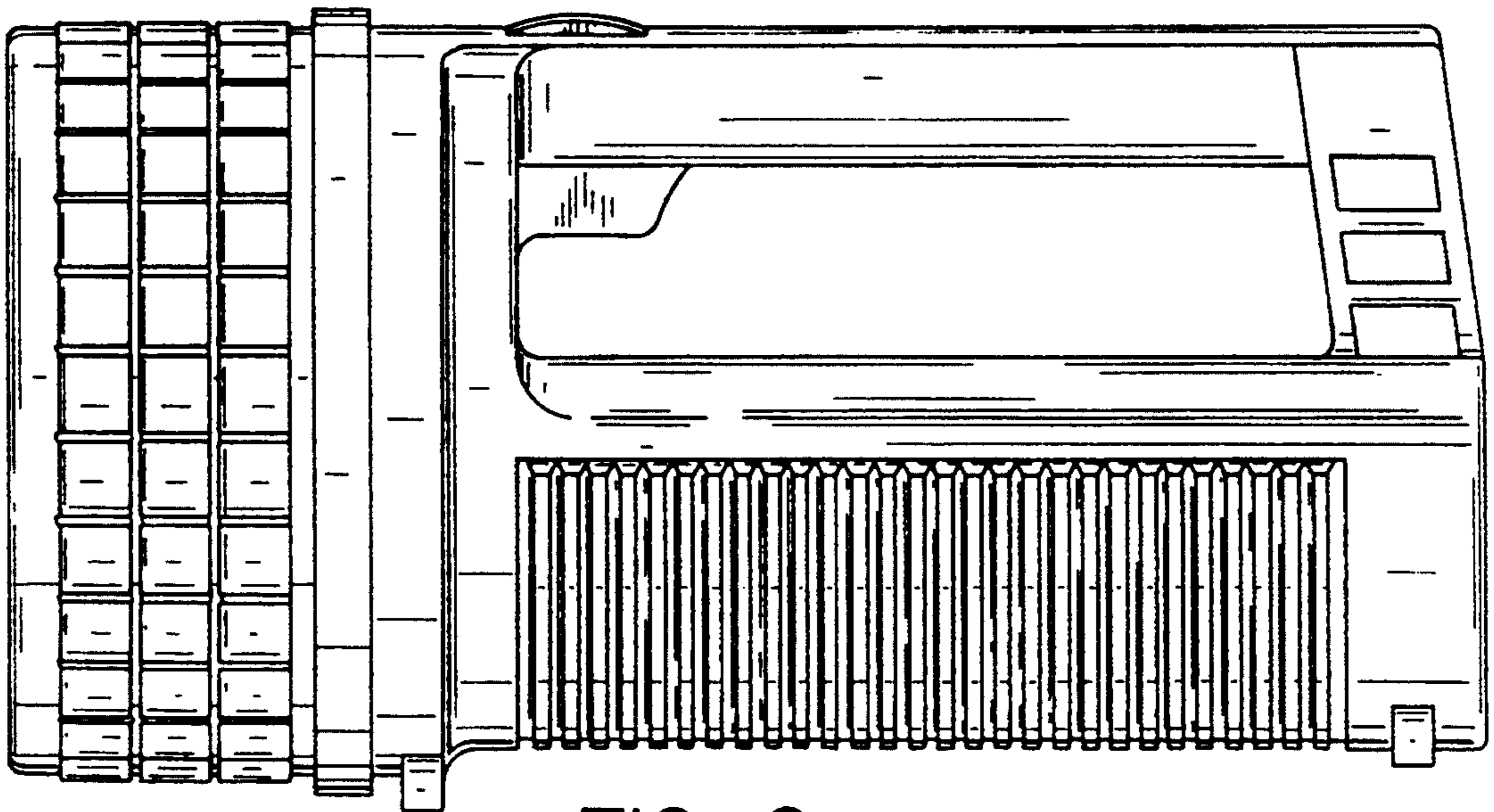


FIG. 6

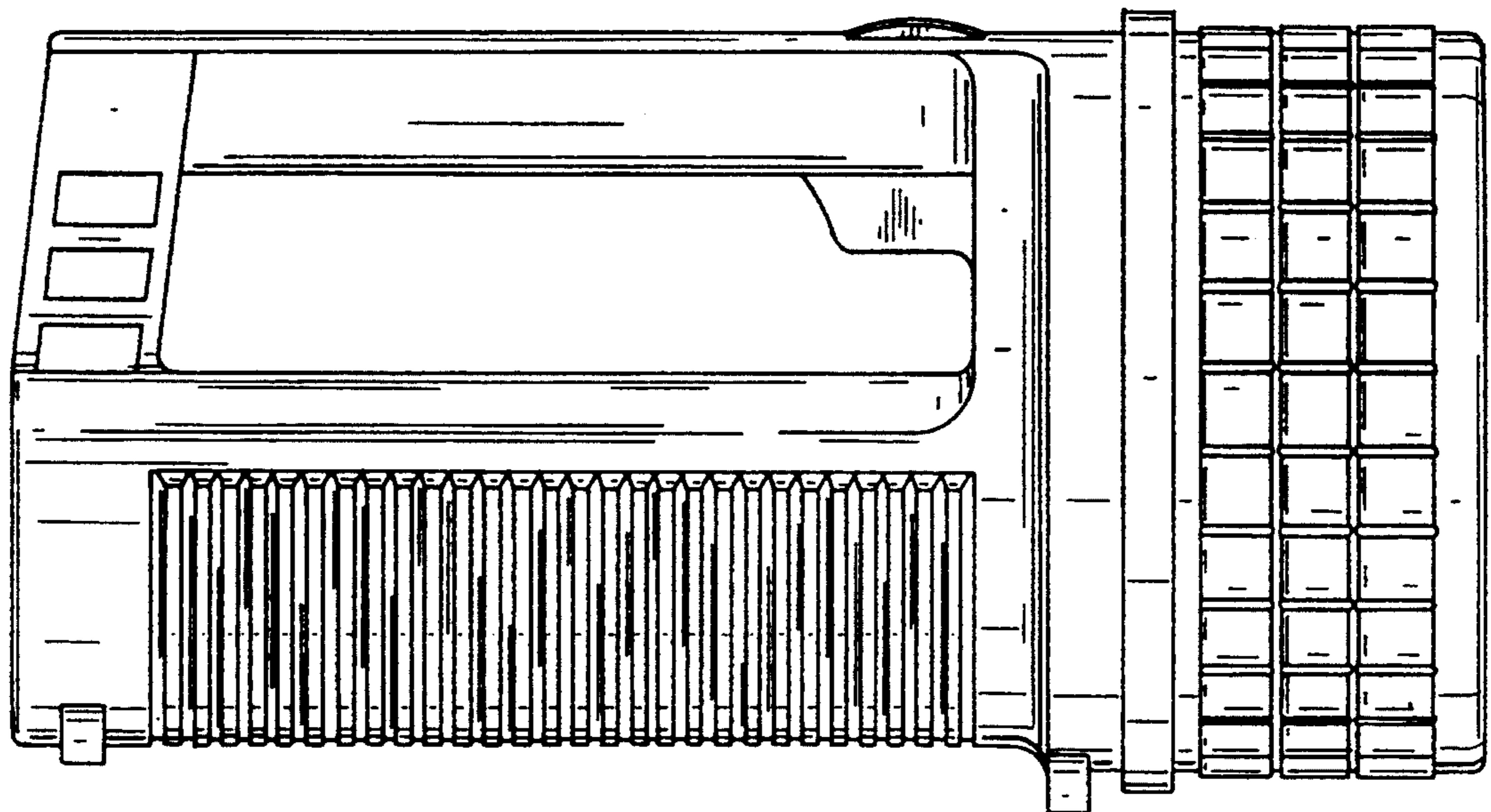


FIG. 7