



US00D349354S

United States Patent [19]

[11] Patent Number: **Des. 349,354**

Yau

[45] Date of Patent: **** Aug. 2, 1994**

[54] **FLASHLIGHT**

[75] Inventor: **Kai C. A. Yau, Kowloon, Hong Kong**

[73] Assignee: **World Hint Limited, Kowloon, Hong Kong**

[**] Term: **14 Years**

[21] Appl. No.: **365**

[22] Filed: **Oct. 13, 1992**

[30] **Foreign Application Priority Data**

May 27, 1992 [GB] United Kingdom 2023152

[52] U.S. Cl. **D26/37**

[58] Field of Search 362/157, 158, 183, 184, 362/185, 186, 188, 189, 190, 191, 196, 197, 198, 200, 202, 205, 206, 208; D26/37-50

[56] **References Cited**

U.S. PATENT DOCUMENTS

D. 175,940 11/1955 Graubner D26/49
D. 186,401 10/1959 Graubner D26/49

D. 228,519 10/1973 Moore D26/49
D. 241,971 10/1976 Brindley D26/49
D. 300,667 4/1989 Ohashi D26/49
1,826,864 10/1931 Buckholz 362/191

Primary Examiner—Wallace R. Burke
Assistant Examiner—Marcus Jackson
Attorney, Agent, or Firm—Blakely, Sokoloff, Taylor & Zafman

[57] **CLAIM**

The ornamental design for flashlight, as shown and described.

DESCRIPTION

FIG. 1 is a perspective view from a front end from a first side and above;
FIG. 2 is a rear elevational view;
FIG. 3 is a top elevational view;
FIG. 4 is an elevational view of the first side;
FIG. 5 is a front elevational view;
FIG. 6 is a bottom elevational view; and,
FIG. 7 is an elevational view of the side opposite from the first side.

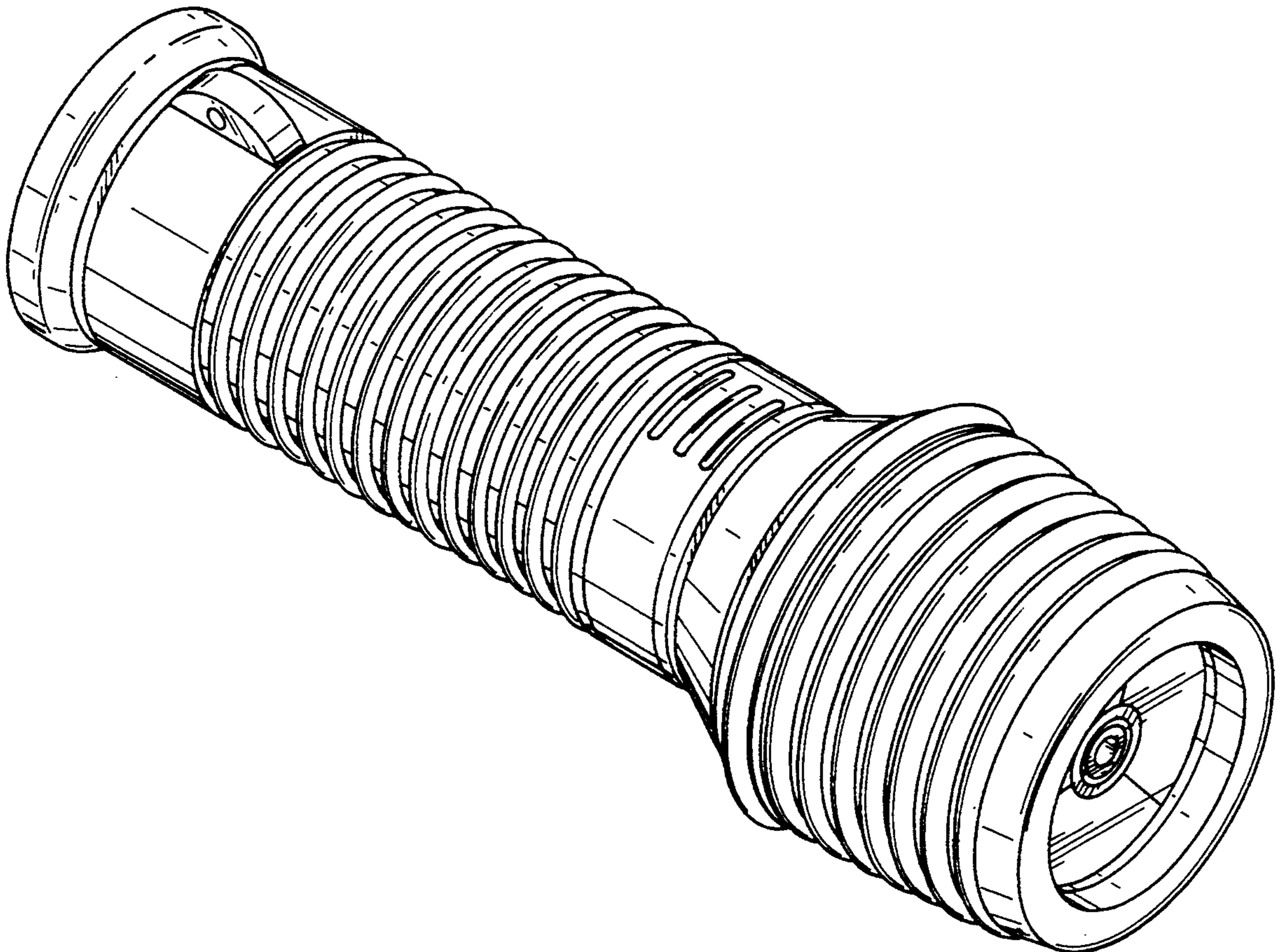
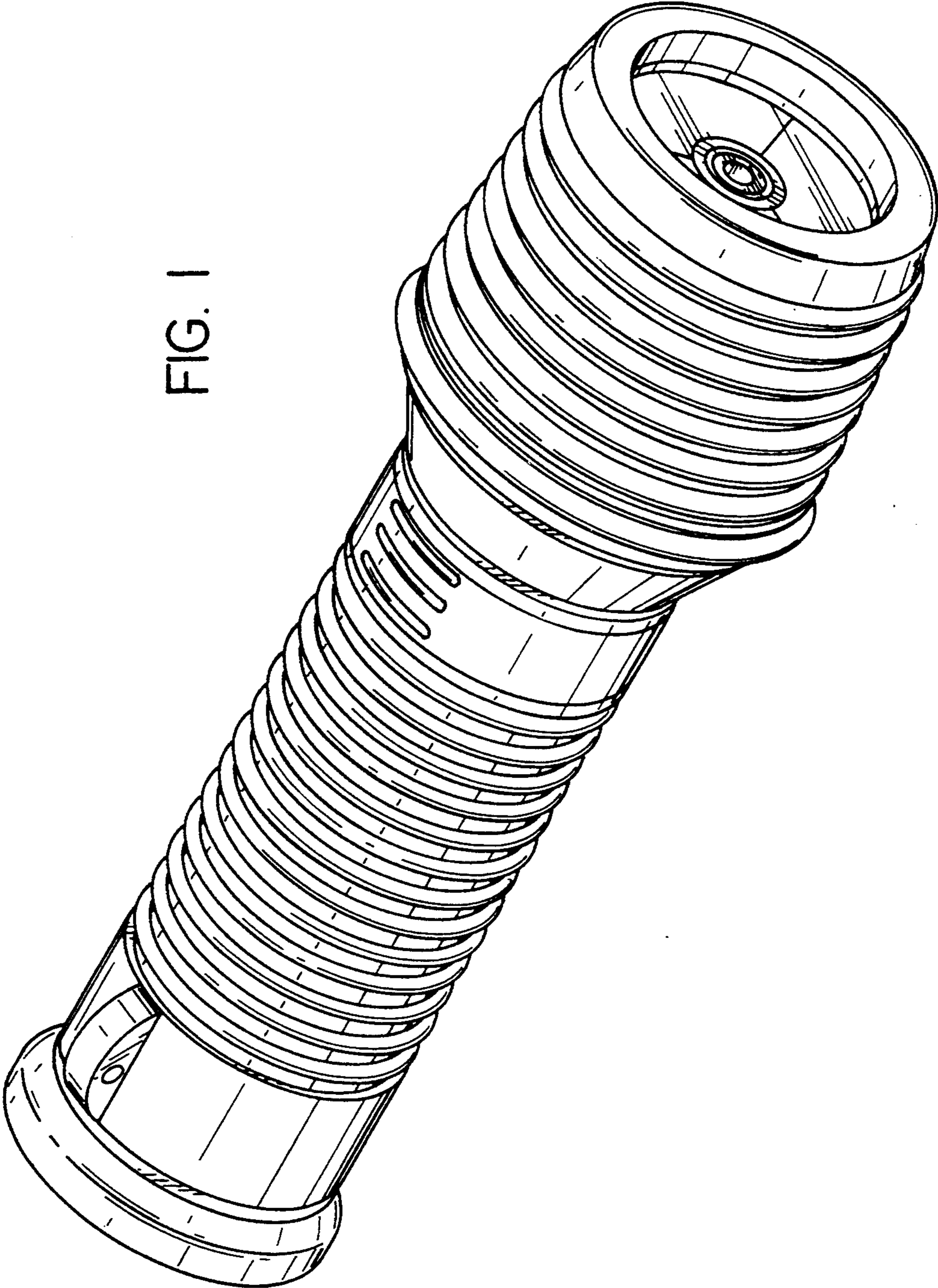


FIG. 1



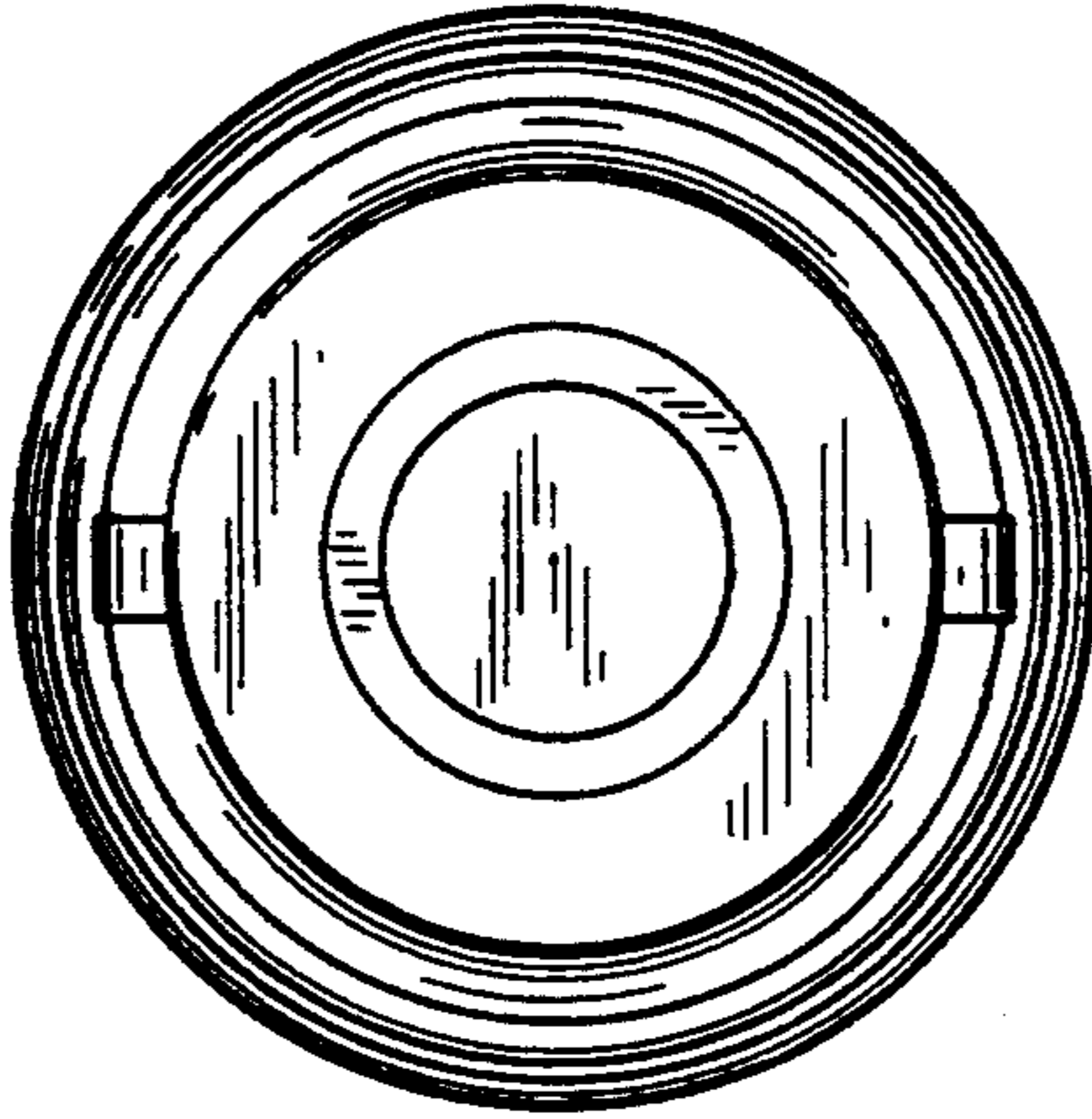


FIG. 2

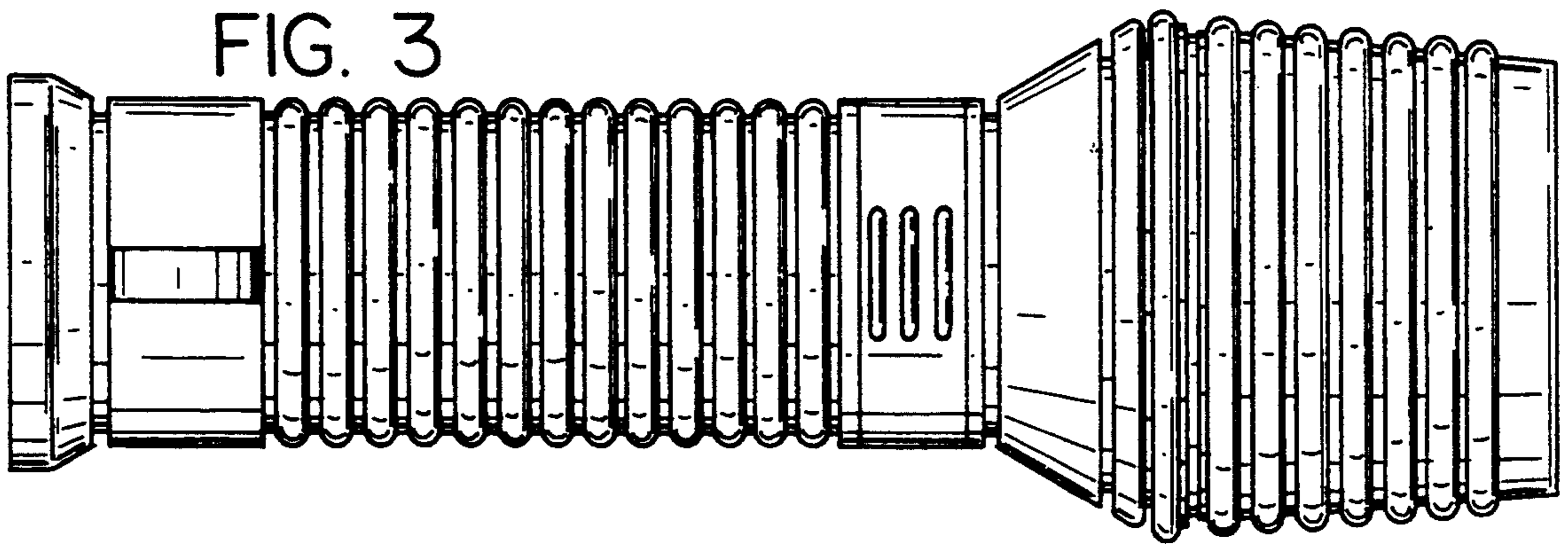


FIG. 3

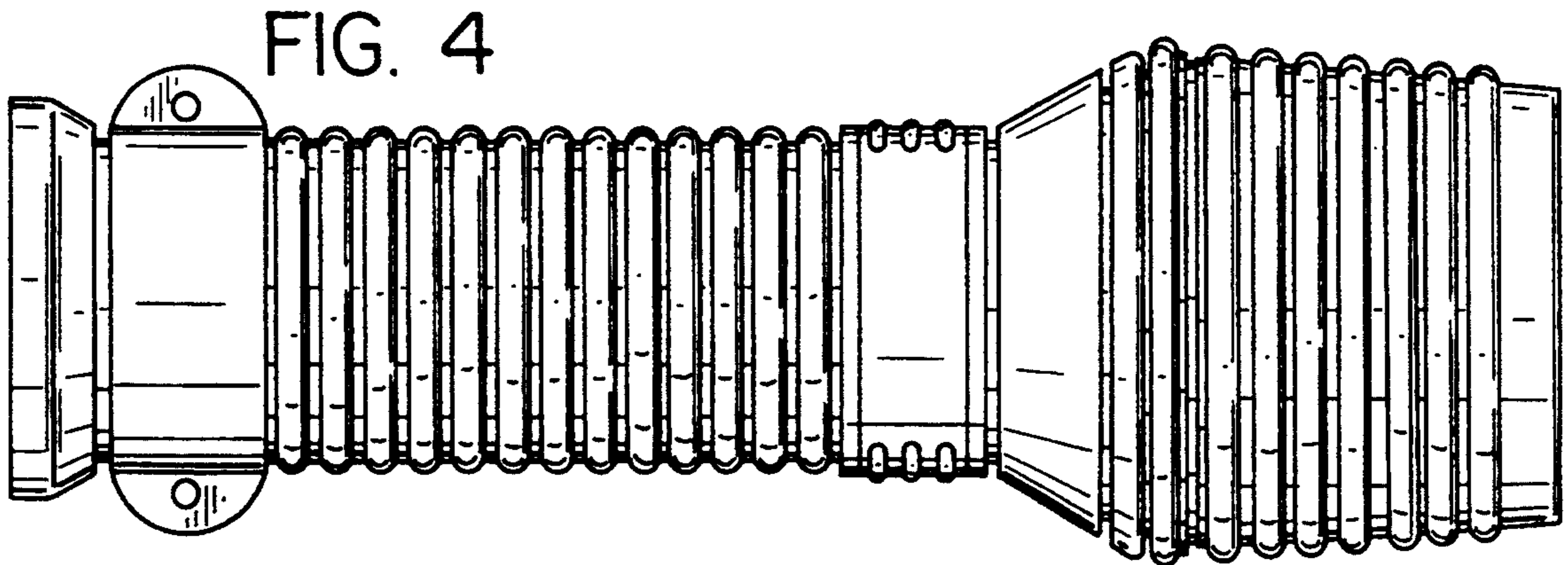


FIG. 4

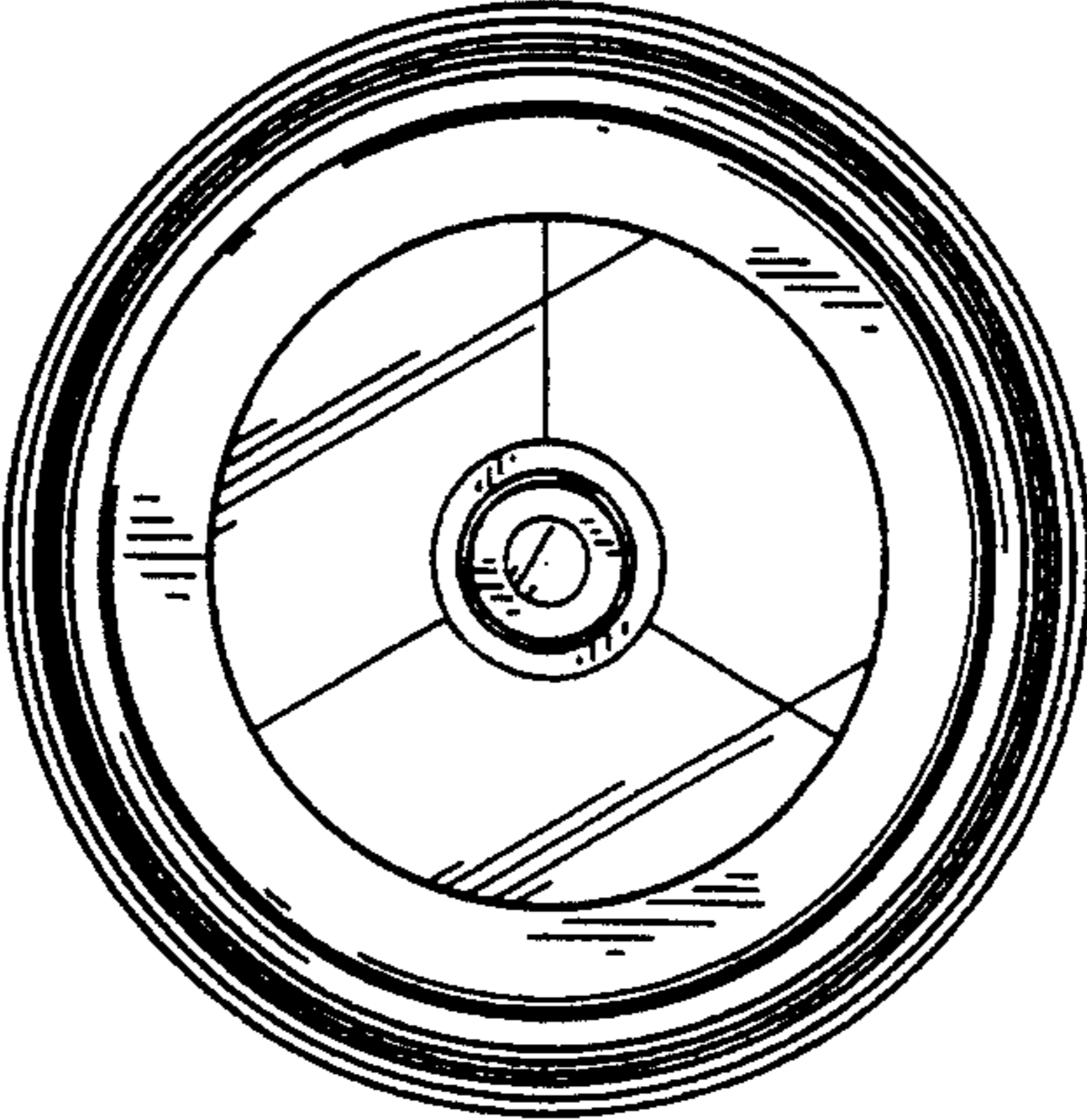


FIG. 5

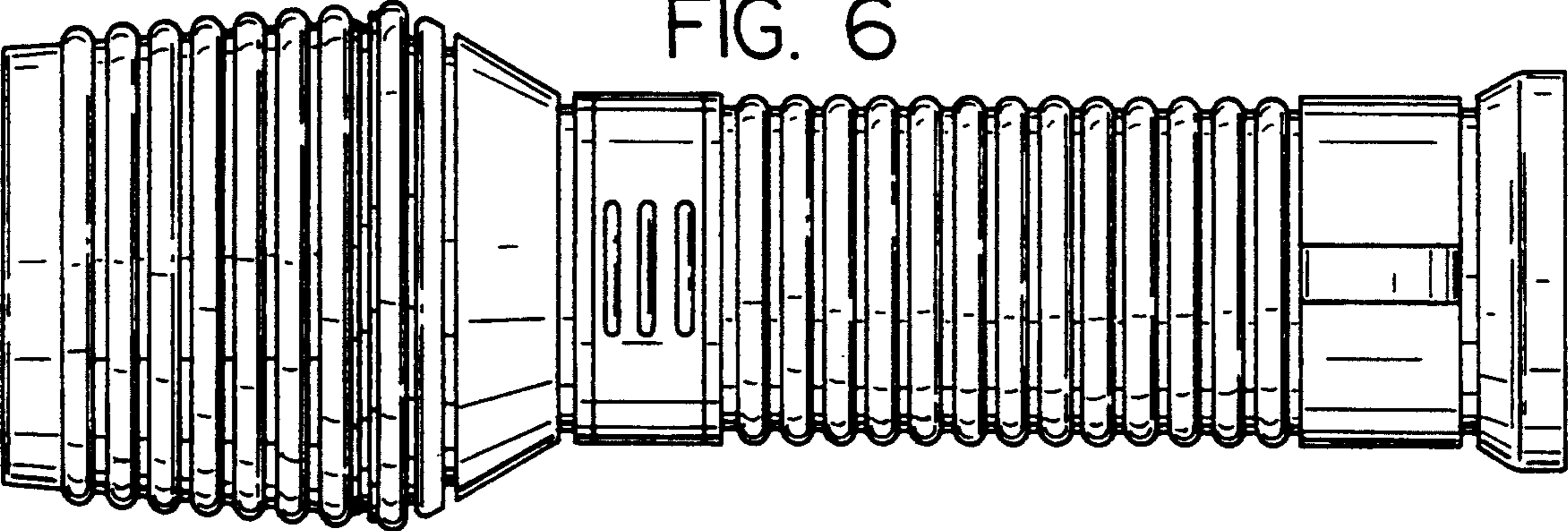


FIG. 6

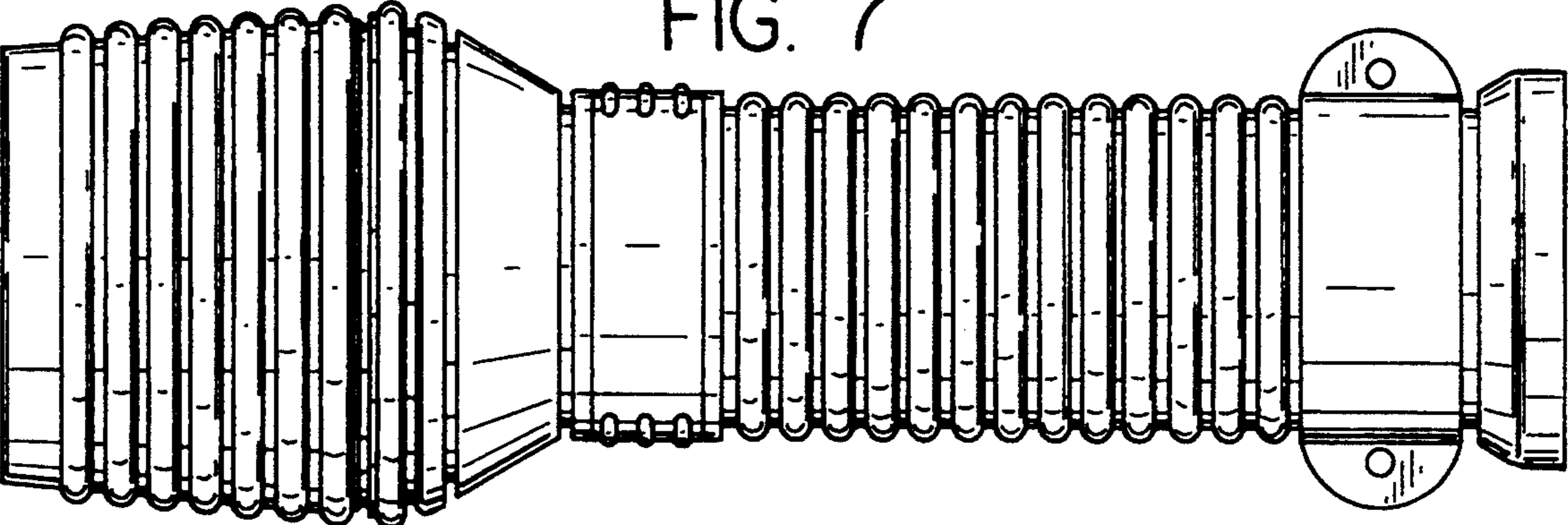


FIG. 7