



US00D349351S

United States Patent [19] Englen

[11] Patent Number: **Des. 349,351**

[45] Date of Patent: **** Aug. 2, 1994**

[54] **DROPPED CEILING SUPPORT ELEMENT**

[76] Inventor: **Joseph Englen**, 109 Marlborough St., Apt. #2, Chelsea, Mass. 02150

[**] Term: **14 Years**

[21] Appl. No.: **1,678**

[22] Filed: **Nov. 20, 1992**

[52] U.S. Cl. **D25/58**

[58] Field of Search **D8/349, 373; 52/220.6, 52/481, 484, 487, 488, 731, 729; D25/58**

4,481,745	11/1984	Smits et al.	52/220.6
4,520,609	6/1985	Worley	52/729
4,549,383	10/1985	Vukmanic et al.	52/729
4,624,088	11/1986	Arent	52/484

Primary Examiner—A. Hugo Word
Assistant Examiner—Doris Clark
Attorney, Agent, or Firm—Terry M. Gernstein

[57] **CLAIM**

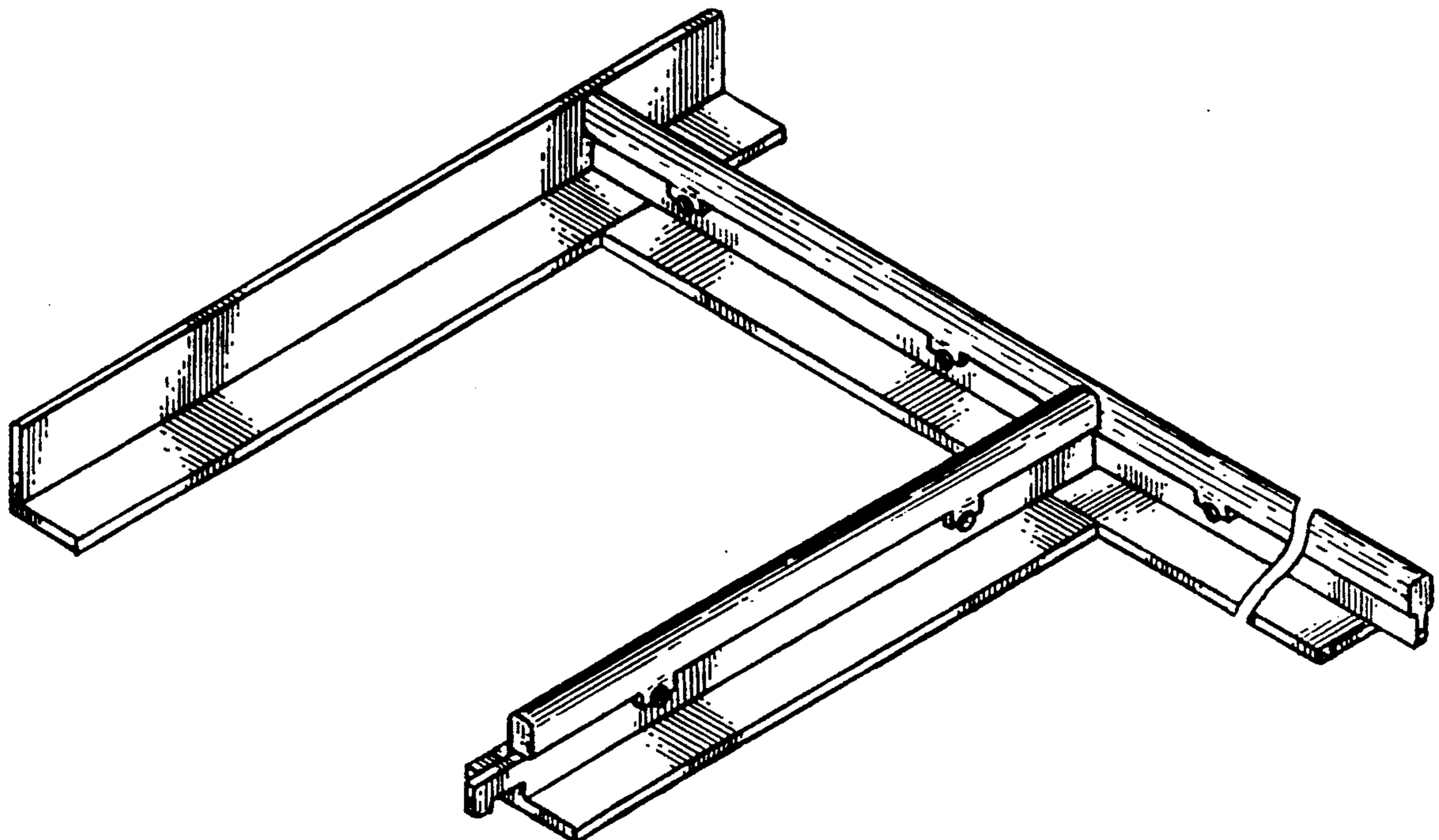
The ornamental design for a dropped ceiling support element, as shown and described.

DESCRIPTION

FIG. 1 is a front, top and side perspective view of the dropped ceiling support element showing my new design;
FIG. 2 is a front elevational view thereof;
FIG. 3 is a rear elevational view thereof;
FIG. 4 is a side elevational view thereof;
FIG. 5 is a side elevational view thereof;
FIG. 6 is a top plan view thereof;
FIG. 7 is a bottom plan view thereof; and,
FIG. 8 is an exploded perspective view thereof.

[56] **References Cited**
U.S. PATENT DOCUMENTS

2,303,269	11/1942	Goss	52/348
2,971,617	2/1961	Smith et al.	D25/58
3,390,495	7/1968	Dolby	D25/58
3,710,530	1/1973	Valtonen	52/220.6
3,742,674	7/1973	Lang	52/220.6
3,877,190	4/1975	Corcoran, Jr.	52/488
4,047,348	9/1977	McSweeney	52/484
4,434,599	3/1984	McCall	52/729



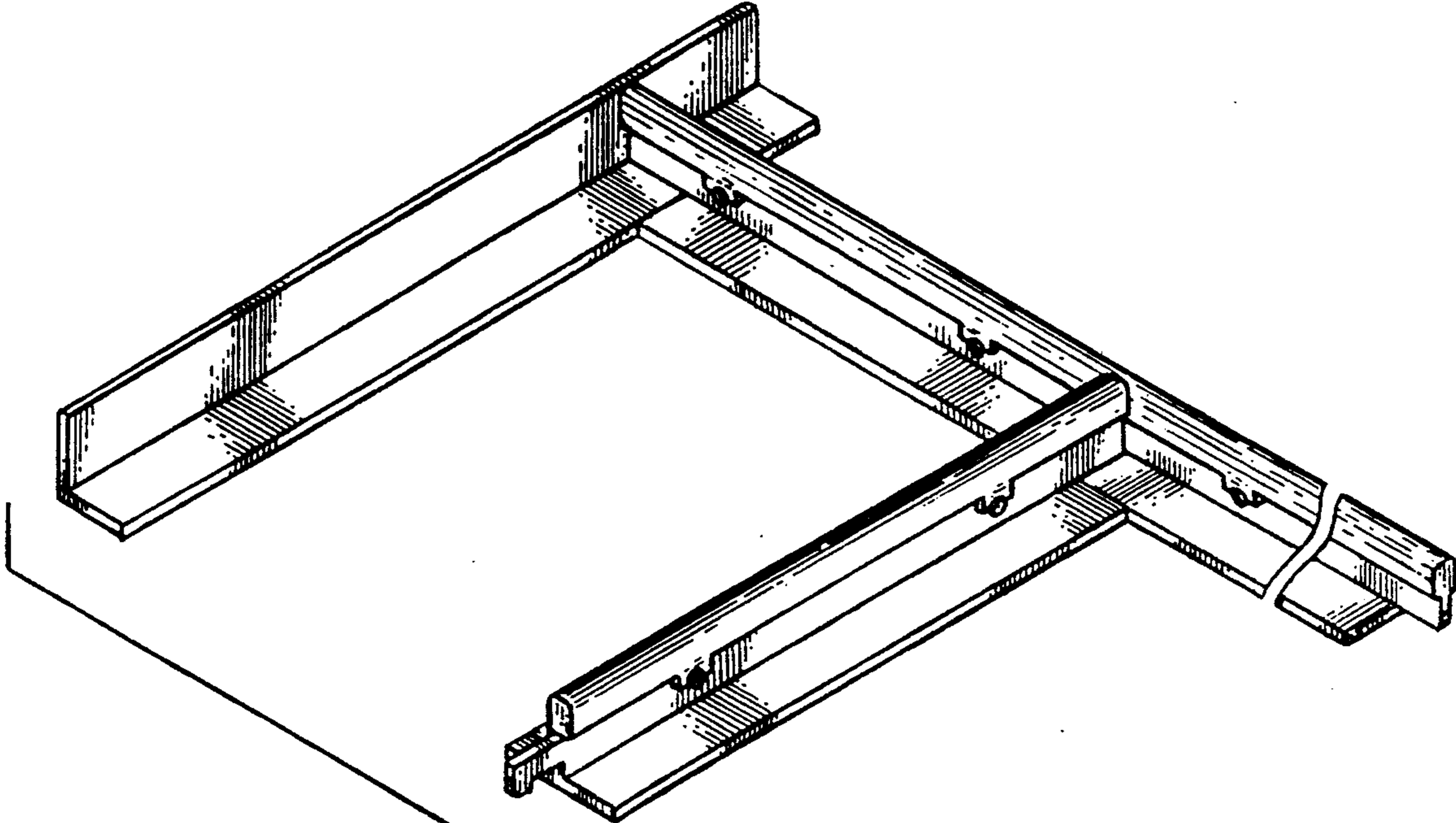


FIG. 1



FIG. 2



FIG. 3



FIG. 4

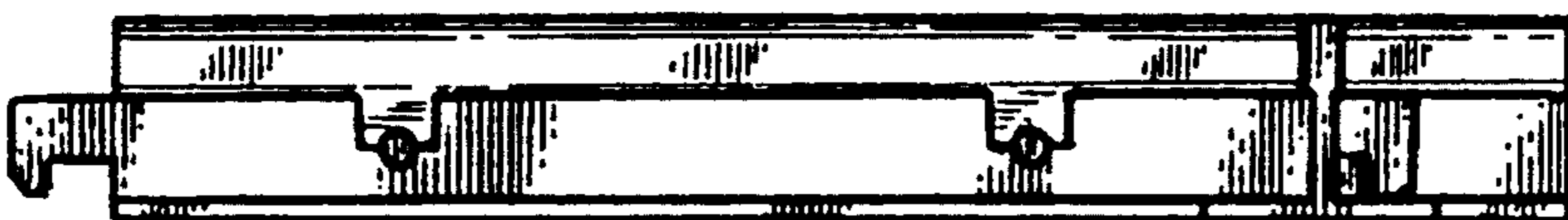


FIG. 5

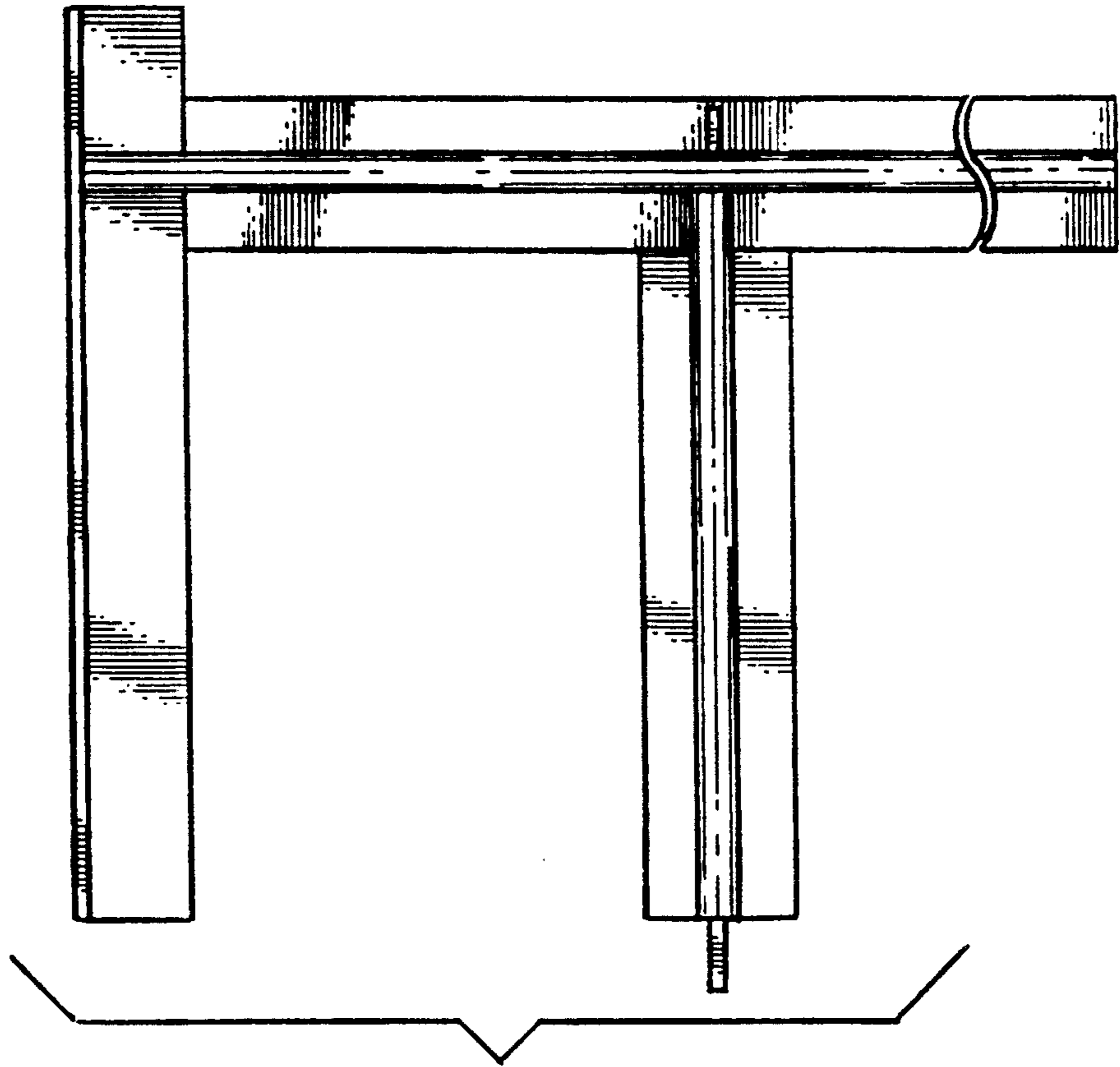
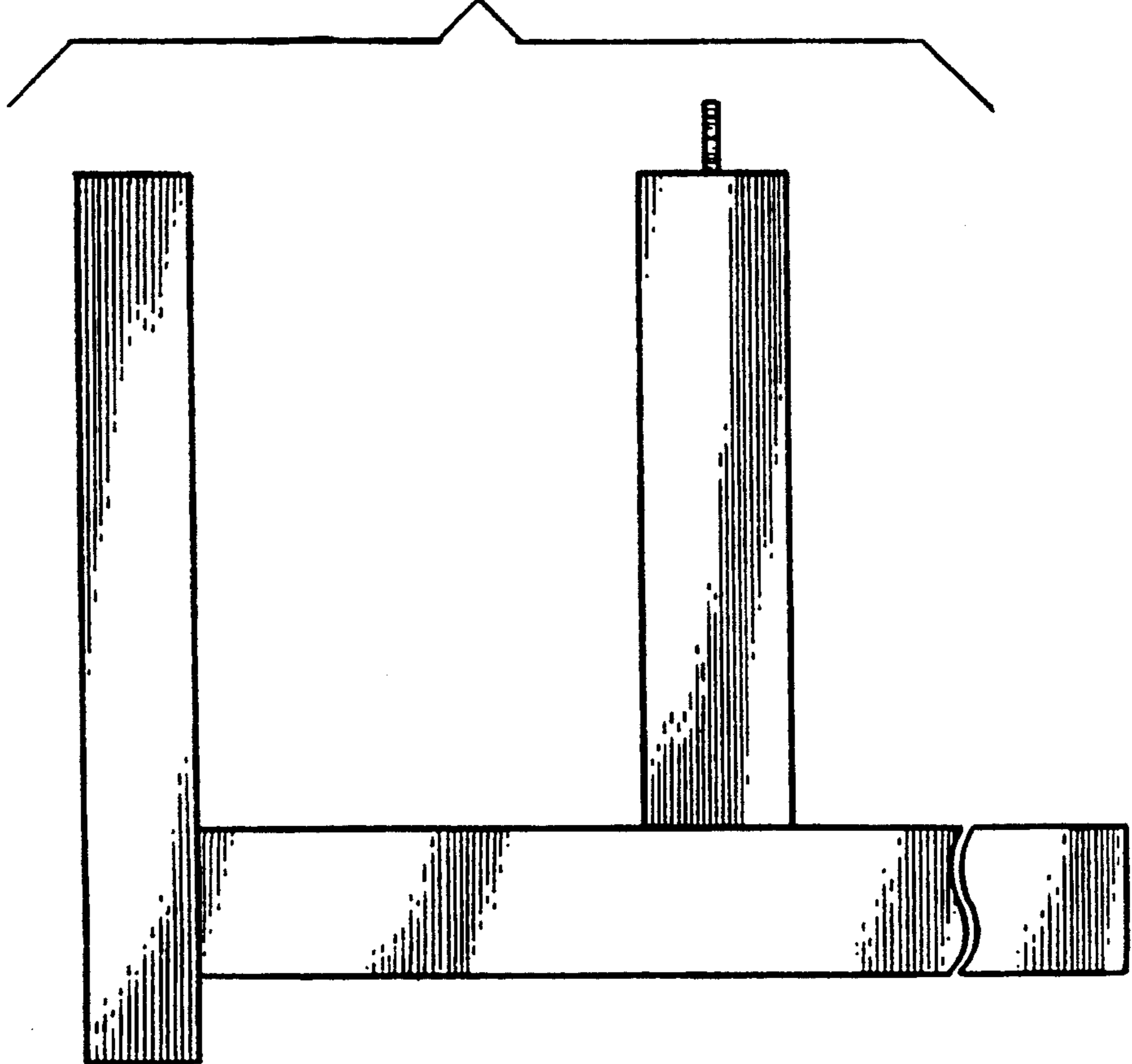


FIG. 6

FIG. 7



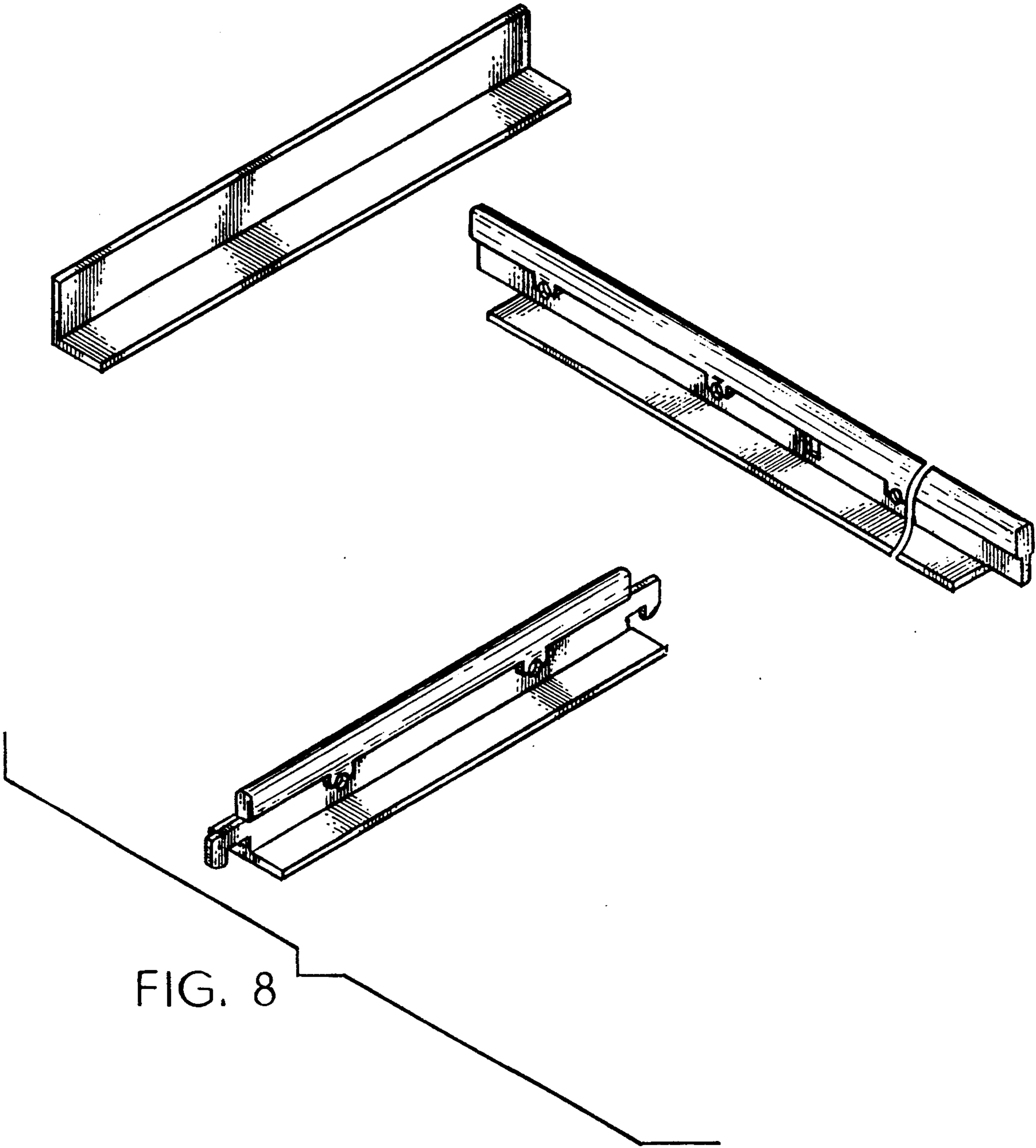


FIG. 8