



US00D349344S

United States Patent [19]

[11] Patent Number: **Des. 349,344**

Kudlak

[45] Date of Patent: **** Aug. 2, 1994**

[54] **TRACTION UNIT**

[76] Inventor: **Robert M. Kudlak**, Box 250,
Callander, Ontario, Canada, P01 1H0

[**] Term: **14 Years**

[21] Appl. No.: **487**

[22] Filed: **Oct. 15, 1992**

4,602,619	7/1987	Wolf et al.	D24/188
4,634,119	1/1987	Pesthy	482/142
4,884,803	12/1989	Miller	482/140
4,884,804	12/1989	Fenwick	482/140
4,890,604	1/1990	Nelson	602/32
4,974,832	12/1990	Dalebout	482/140
5,009,417	4/1991	Sarkozi	482/140
5,106,083	4/1992	Hall	602/32
5,125,884	6/1992	Weber et al.	482/142

[30] **Foreign Application Priority Data**

Apr. 15, 1992 [CA] Canada 15-04-92-7

[52] U.S. Cl. **D24/183; D24/188;**
D21/191

[58] **Field of Search** 482/140, 141, 142, 144;
128/845; 602/32, 33, 36; D21/191; D24/188,
183

Primary Examiner—Bernard Ansher
Assistant Examiner—Philip Hyder
Attorney, Agent, or Firm—Jeffrey T. Imai; Arne I. Fors;
D. Doak Horne

[57] CLAIM

The ornamental design for a traction unit, as shown and described.

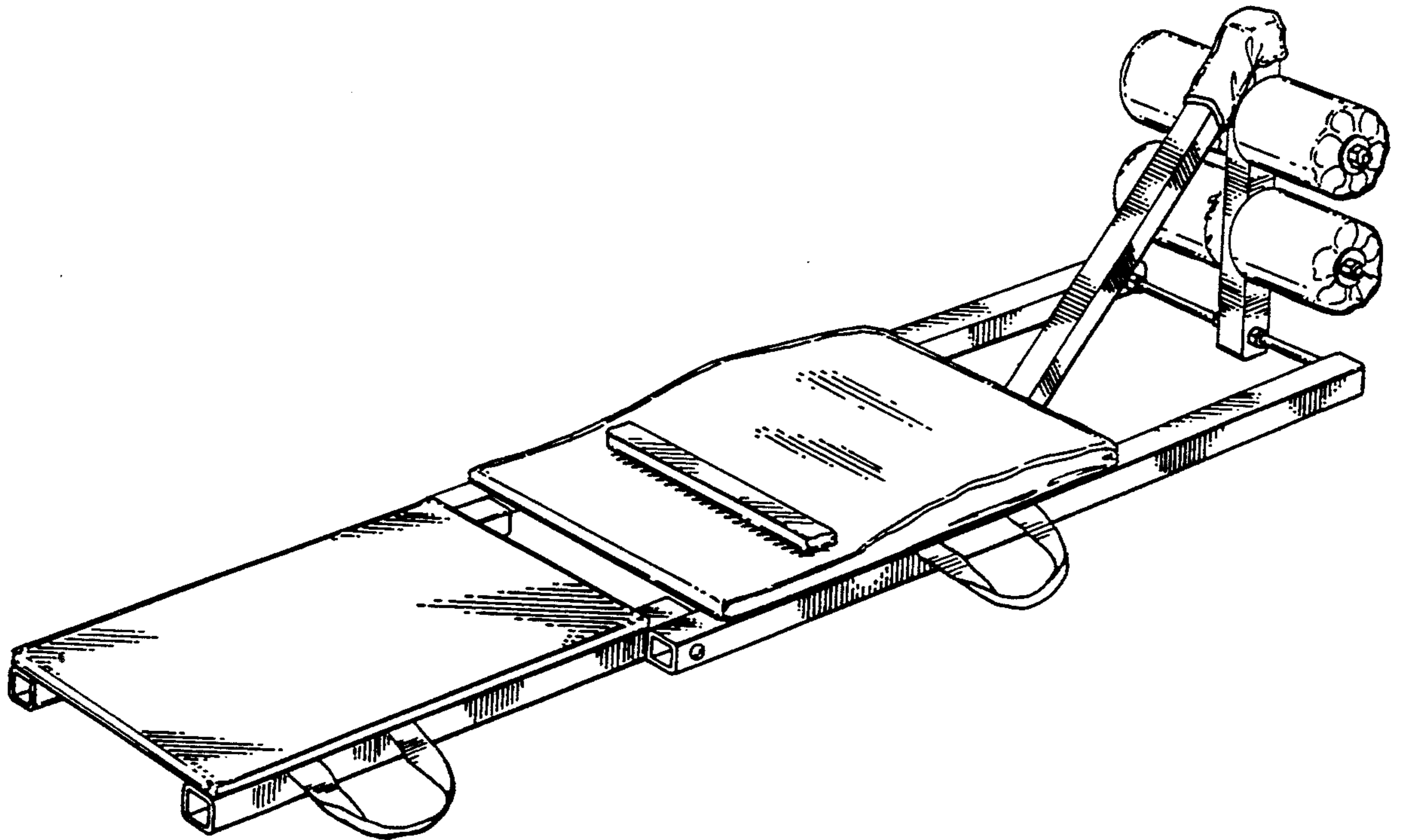
[56] **References Cited**

U.S. PATENT DOCUMENTS

D, 185,658	7/1959	Brandimarte et al.	D24/188
D. 275,213	8/1984	Johnson	D21/191
D. 277,219	1/1985	Johnson	D21/191
D. 320,663	10/1991	Brann	D24/183
4,508,335	4/1985	Kelley et al.	482/140

DESCRIPTION

FIG. 1 is a perspective view of my design;
FIG. 2 is a top plan view of the design of FIG. 1;
FIG. 3 is a left side elevational view of FIG. 1;
FIG. 4 is a front elevational view;
FIG. 5 is a right side elevational view; and,
FIG. 6 is a rear elevational view.



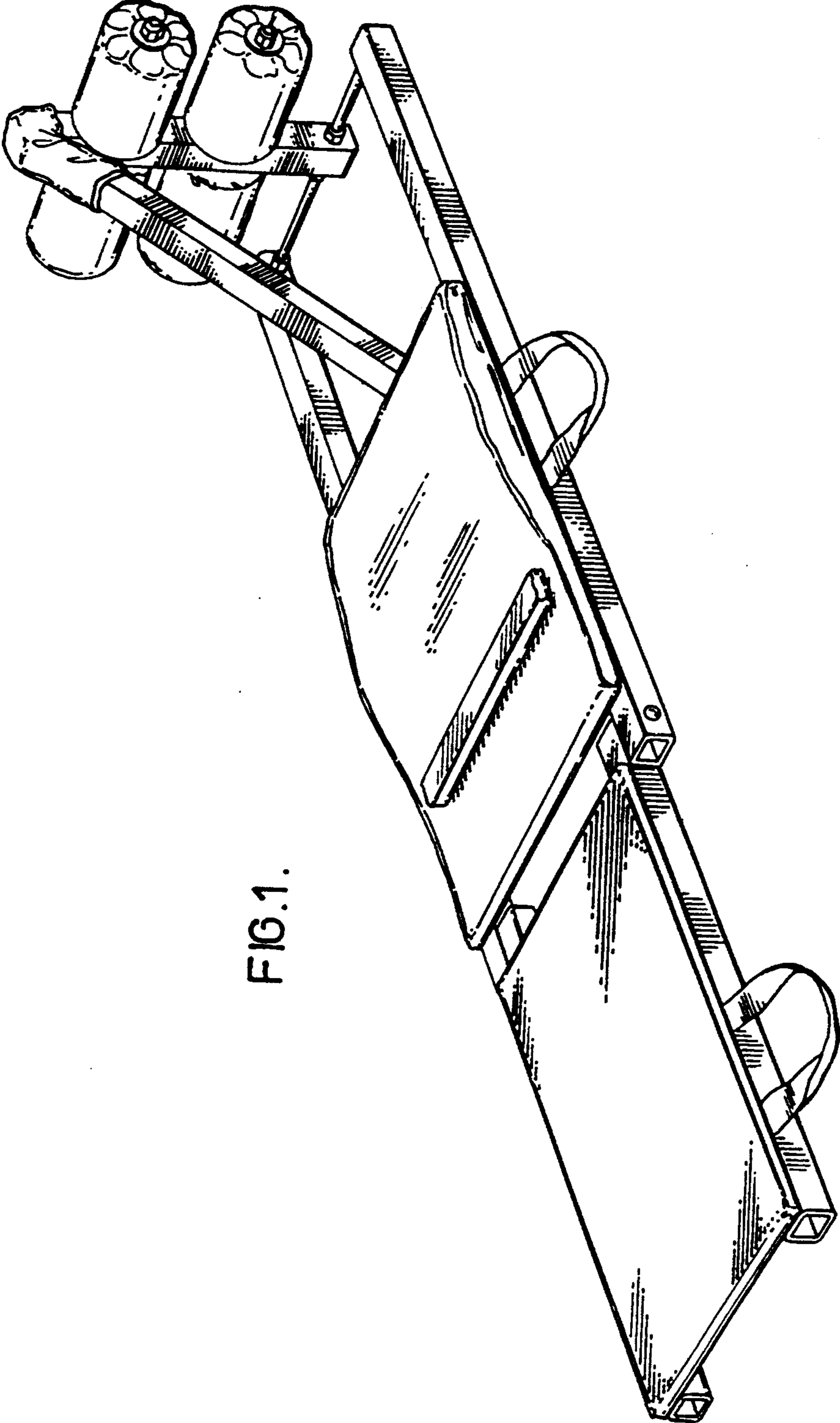


FIG. 1.

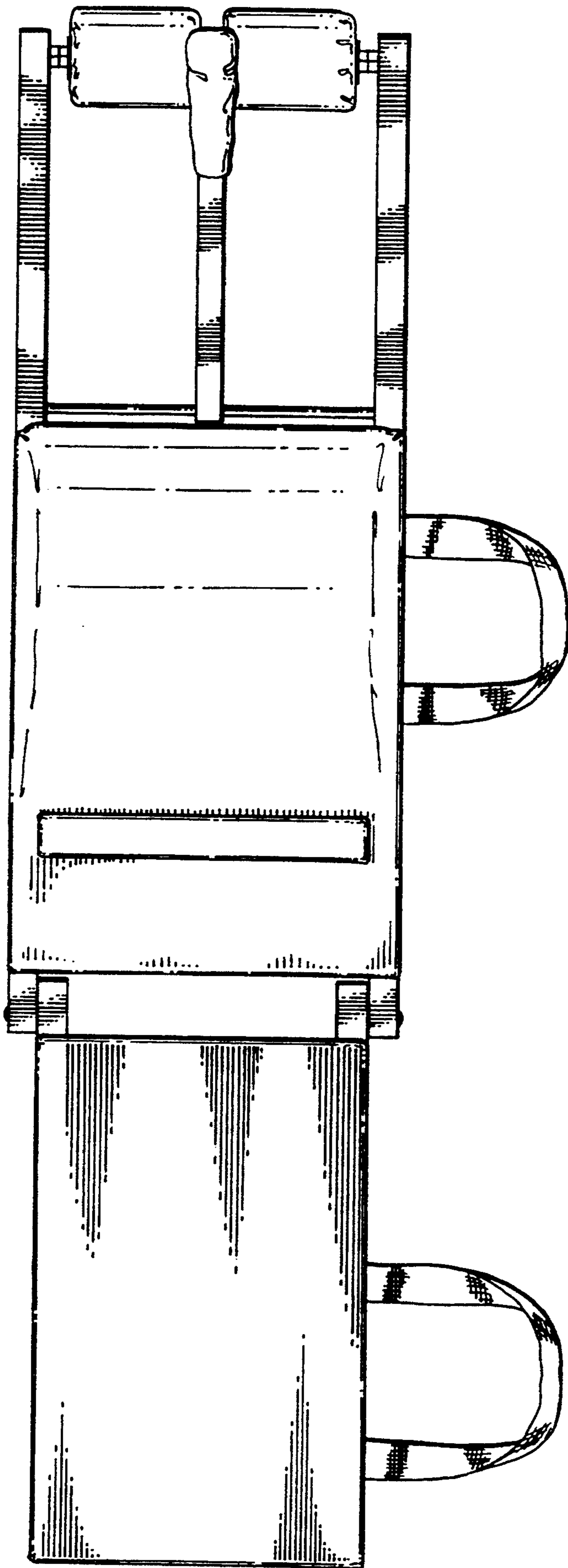


FIG. 2.

FIG. 3.

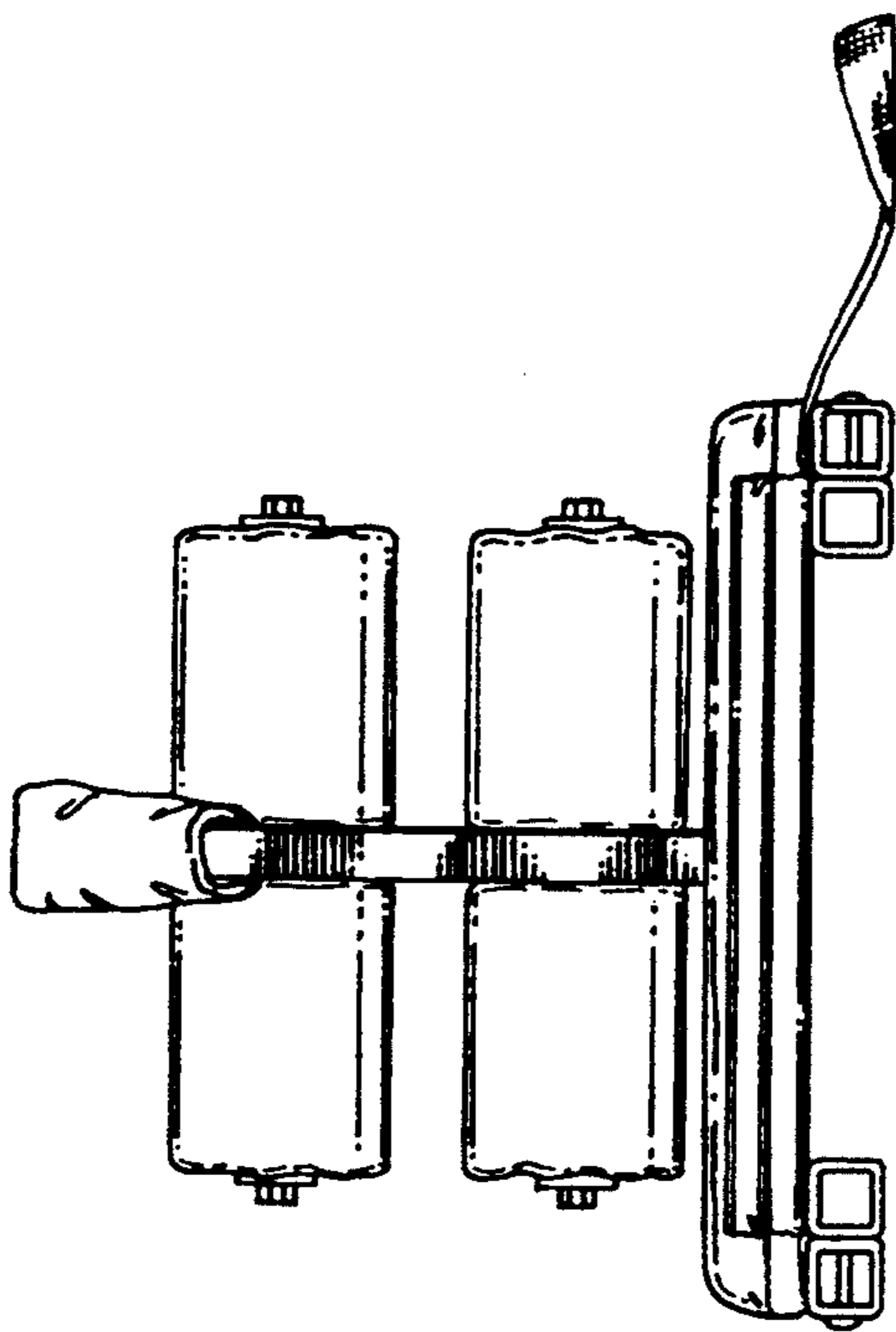
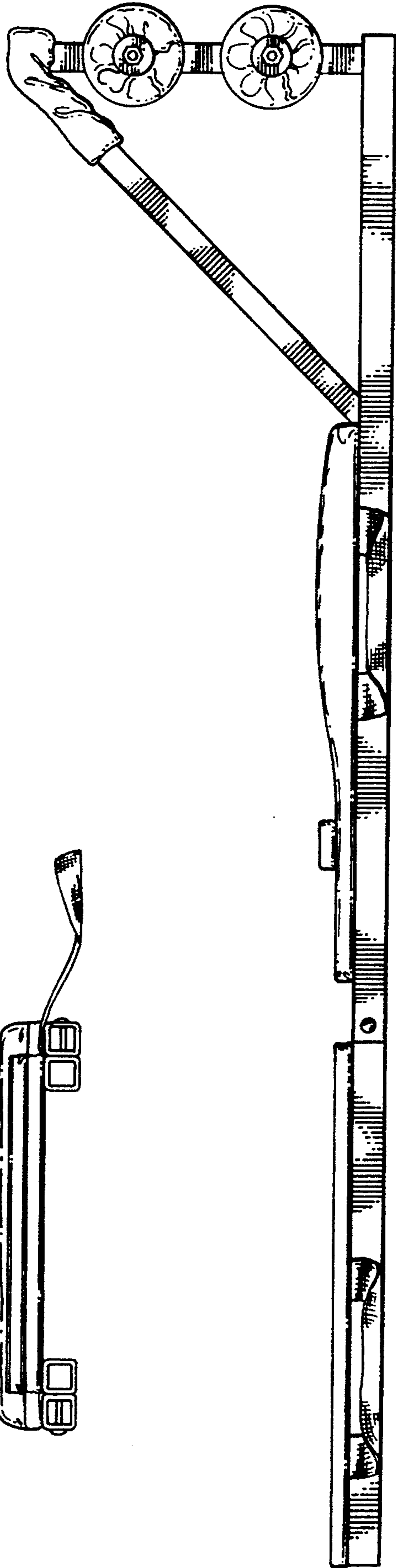


FIG. 4.



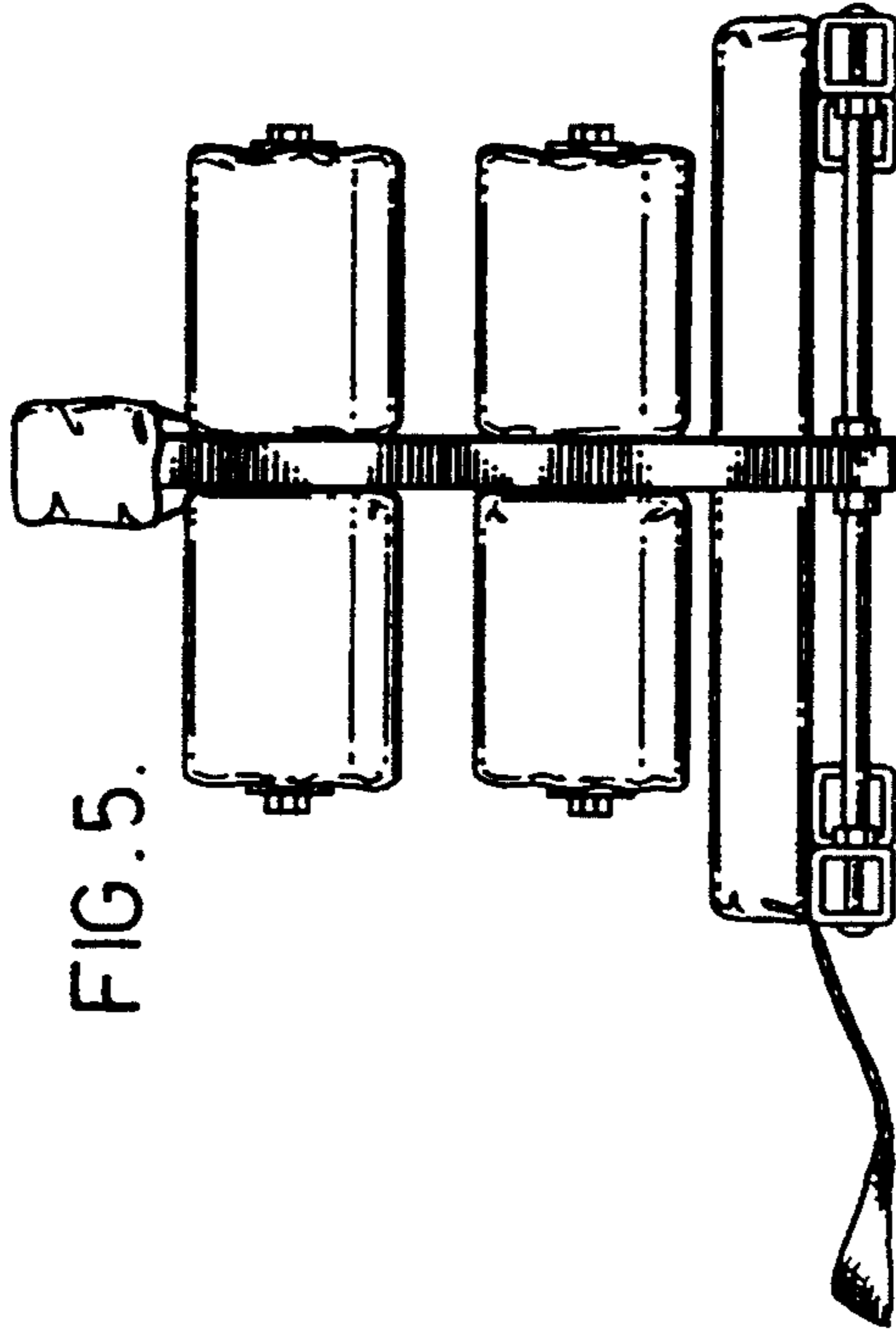


FIG. 5.

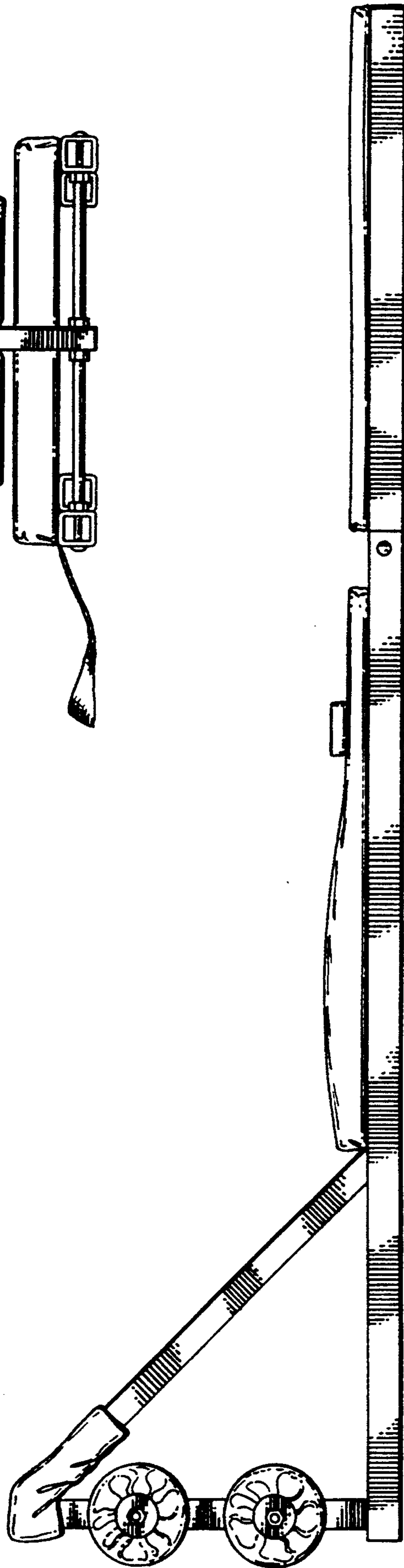


FIG. 6.