



US00D349339S

United States Patent [19]

[11] Patent Number: **Des. 349,339**

Youtsler et al.

[45] Date of Patent: **** Aug. 2, 1994**

[54] SURGICAL ADHESION BARRIER APPLICATOR

[75] Inventors: **Mary B. Youtsler**, Cincinnati; **Ronald D. Adams**, Wyoming; **Kevin R. O'Brian**, Cincinnati, all of Ohio; **Richard M. O'Grady**, Southington; **Robert L. Marvin, Jr.**, New Britain, both of Conn.; **Kenneth C. Deutsch**, Lakeland; **John O. White**, Lakeville, both of Minn.

[73] Assignee: **Ethicon, Inc.**, Somerville, N.J.

[**] Term: **14 Years**

[21] Appl. No.: **163**

[22] Filed: **Oct. 5, 1992**

[52] U.S. Cl. **D24/133; D24/138; D24/143**

[58] Field of Search **606/151, 139, 144, 221, 606/145, 157; D24/133, 143, 147, 146**

[56] References Cited

U.S. PATENT DOCUMENTS

1,878,671	9/1932	Cantor .	
2,067,031	1/1937	Wappler .	
3,820,544	6/1974	Semm	606/139 X
3,857,395	12/1974	Johnson et al. .	
4,590,938	5/1986	Segura et al. .	
4,654,028	3/1987	Suma .	
4,655,219	4/1987	Petruzzi .	
4,705,041	11/1987	Kim .	
4,909,789	3/1990	Taguchi et al. .	
5,100,418	3/1992	Yoon et al.	606/151 X

OTHER PUBLICATIONS

Medi-tech Catalog, copyright 1989, p. 911, entitled "Segura Baskets".

Microvase Catalog, dated 1989, pp. 51-61, entitled "Segura Baskets".

Primary Examiner—A. Hugo Word

Assistant Examiner—Ian Simmons

Attorney, Agent, or Firm—Emil Richard Skula

[57] CLAIM

The ornamental design for a surgical adhesion barrier applicator, as shown and described.

DESCRIPTION

FIG. 1 is a perspective view of a surgical adhesion barrier applicator showing the front and one side of our new design;

FIG. 2 is a perspective view showing the rear and opposite side thereof;

FIG. 3 is a perspective view showing the surgical adhesion barrier applicator in a partially open position;

FIG. 4 is a perspective view showing the surgical adhesion barrier applicator in a fully open position;

FIG. 5 is a side elevational view thereof, the shaft is shown broken away for convenience of illustration;

FIG. 6 is a top plan view thereof;

FIG. 7 is a bottom plan view thereof;

FIG. 8 is a side elevational view thereof, opposite that shown in FIG. 5;

FIG. 9 is a side elevational view thereof, shown in partially open position;

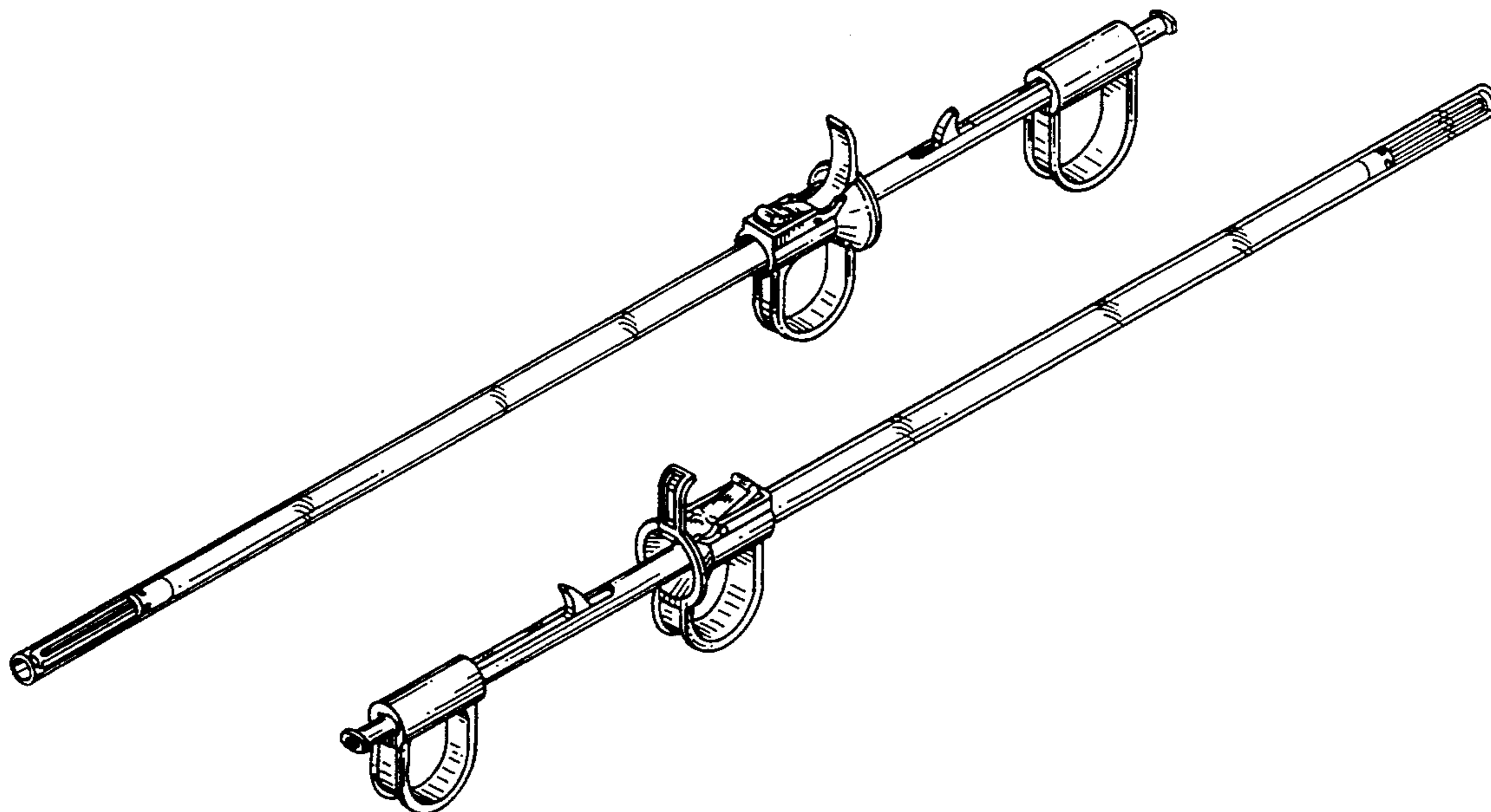
FIG. 10 is a side elevational view thereof, shown in fully open position;

FIG. 11 is a front elevational view thereof;

FIG. 12 is a rear elevational view thereof;

FIG. 13 is a cross-sectional view thereof taken along the line 13—13 of FIG. 5; and,

FIG. 14 is a cross-sectional view thereof taken along the line 14—14 of FIG. 5.



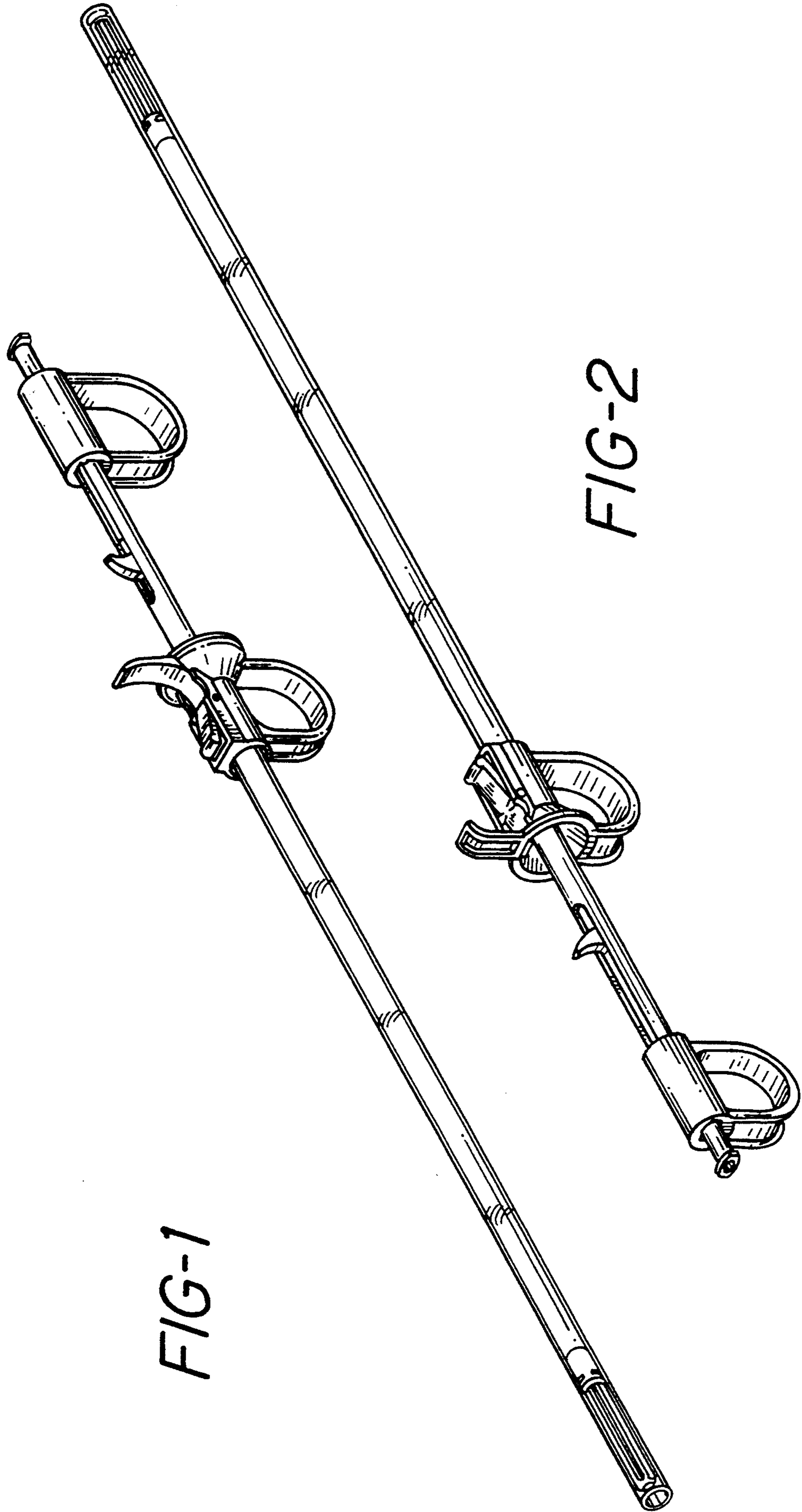


FIG-1

FIG-2

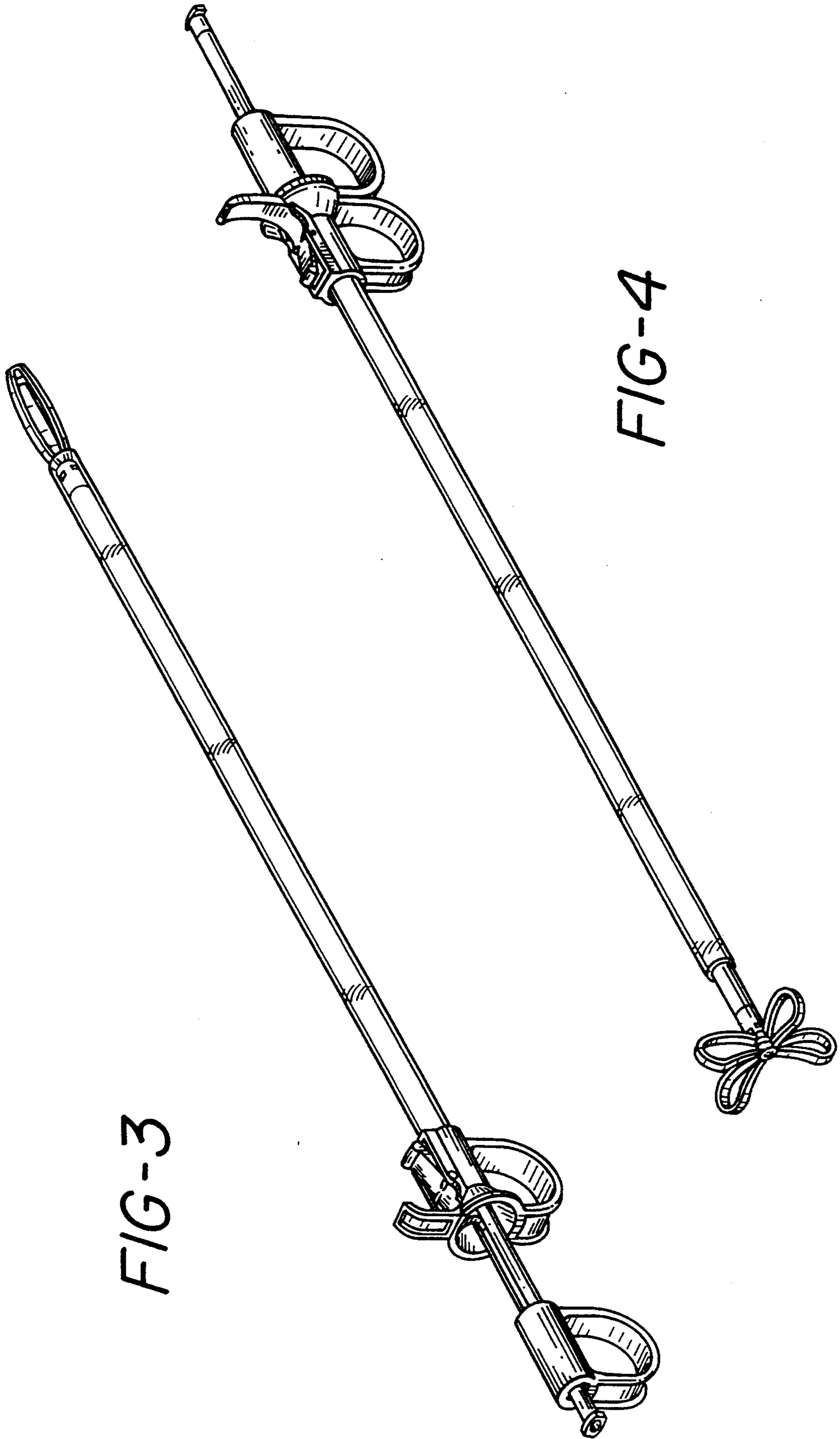
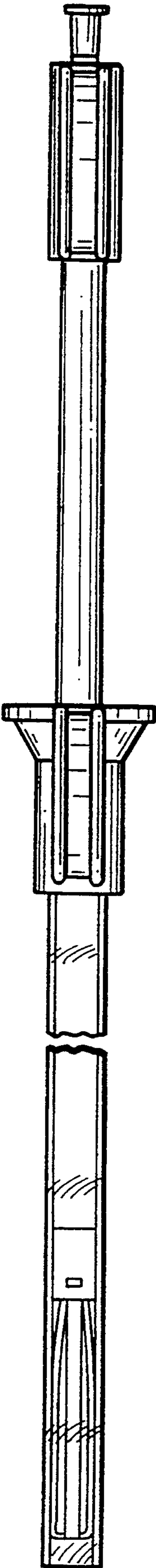
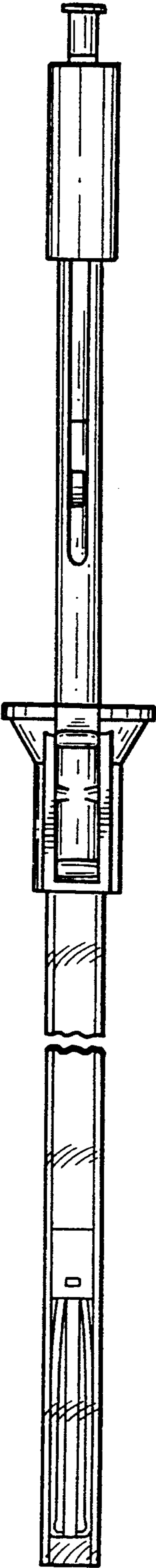
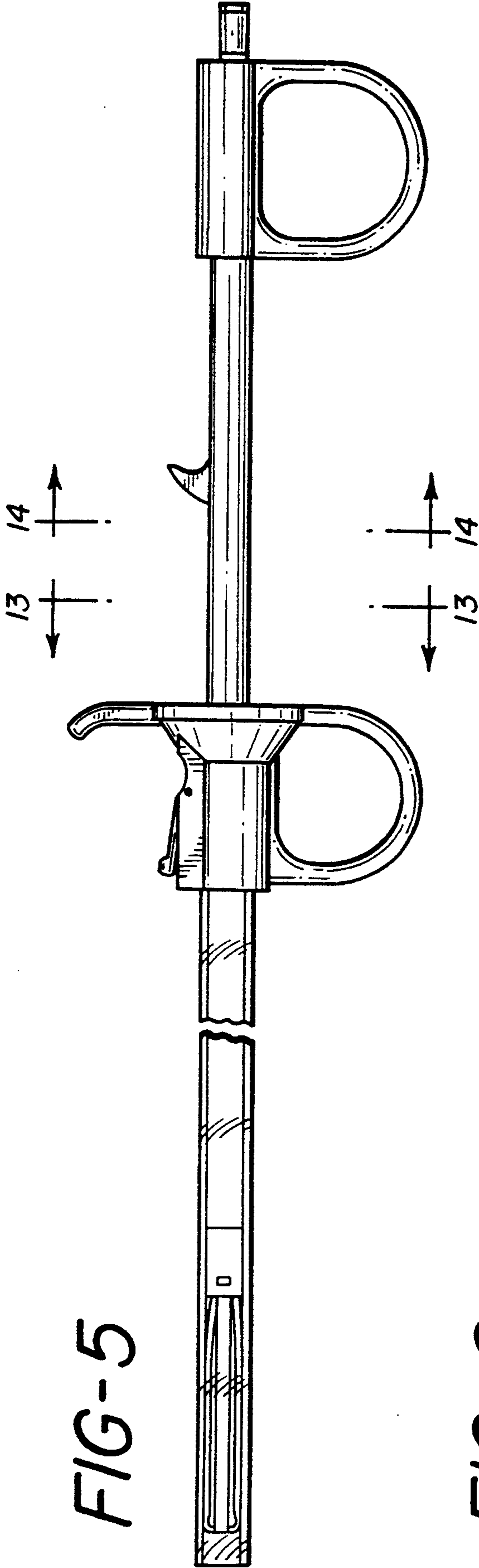


FIG-3

FIG-4



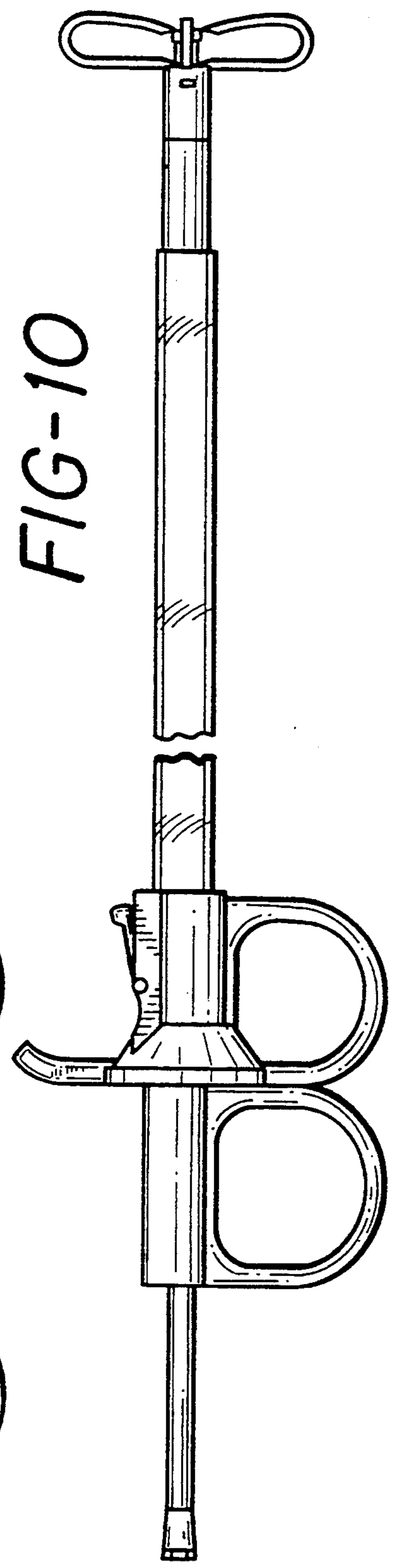
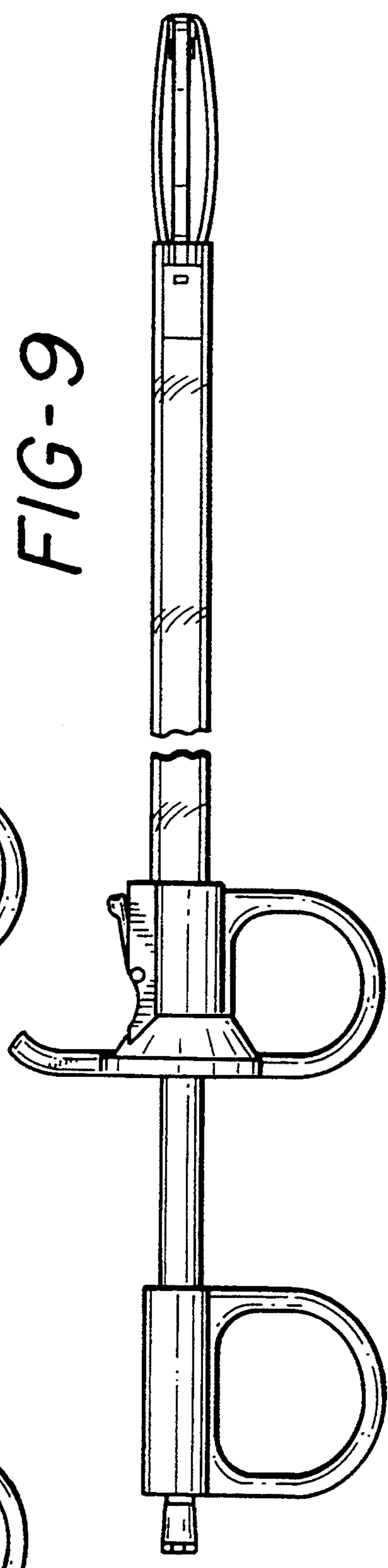
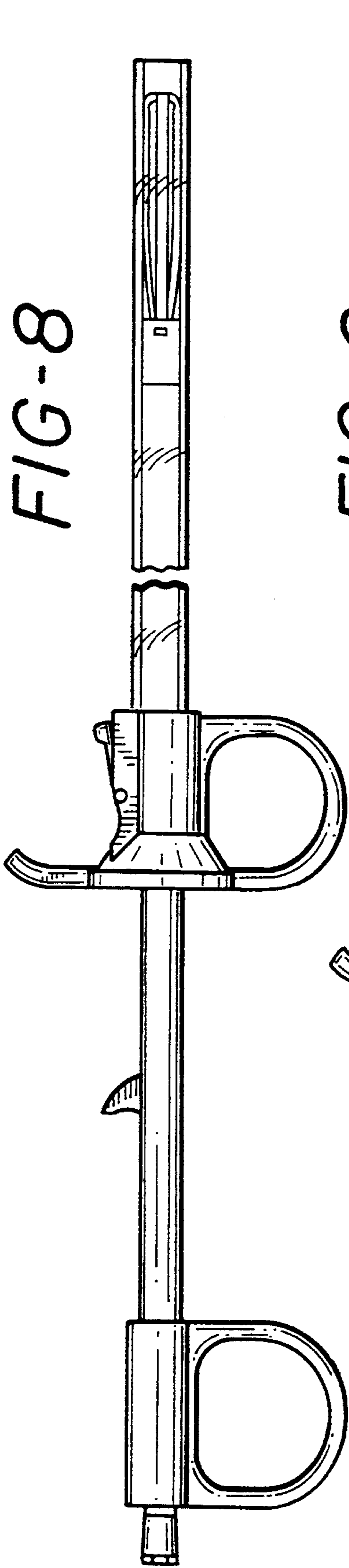


FIG-11

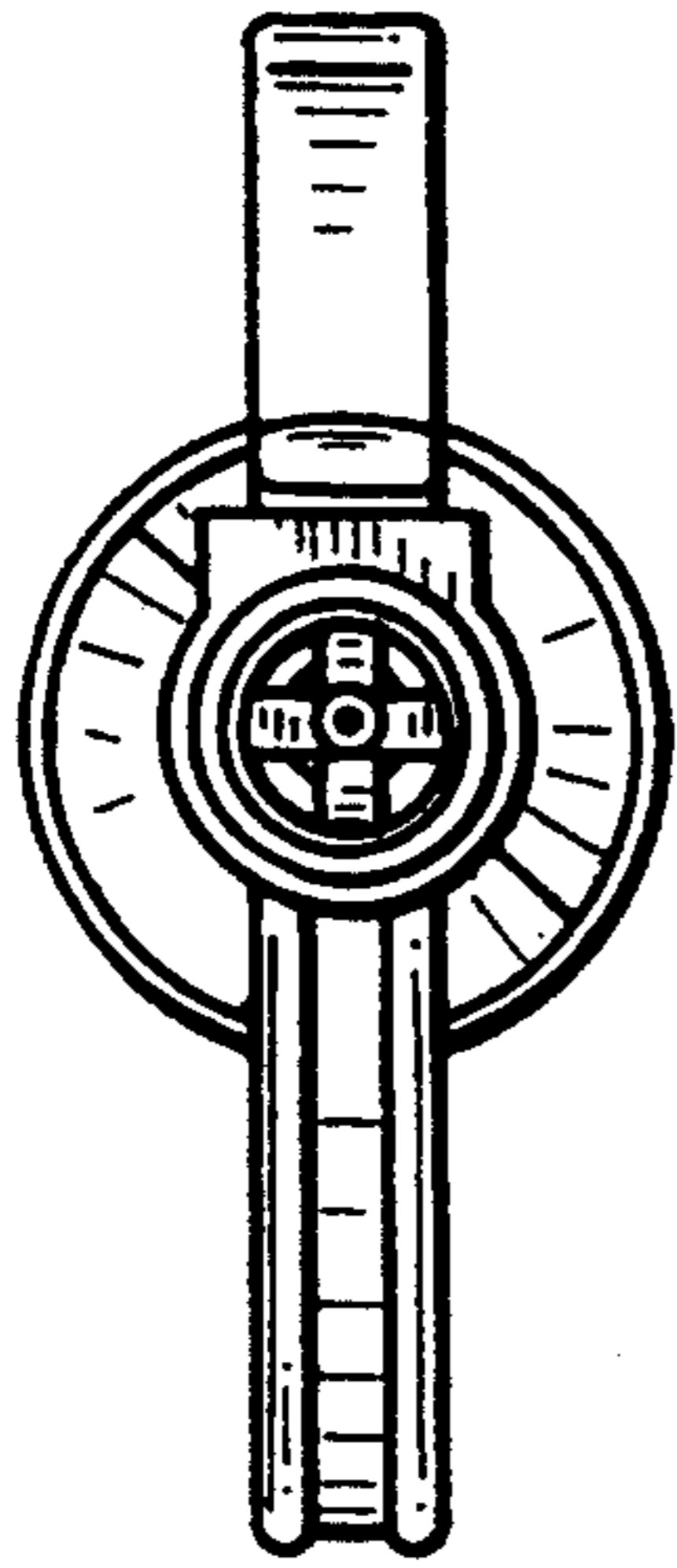


FIG-12

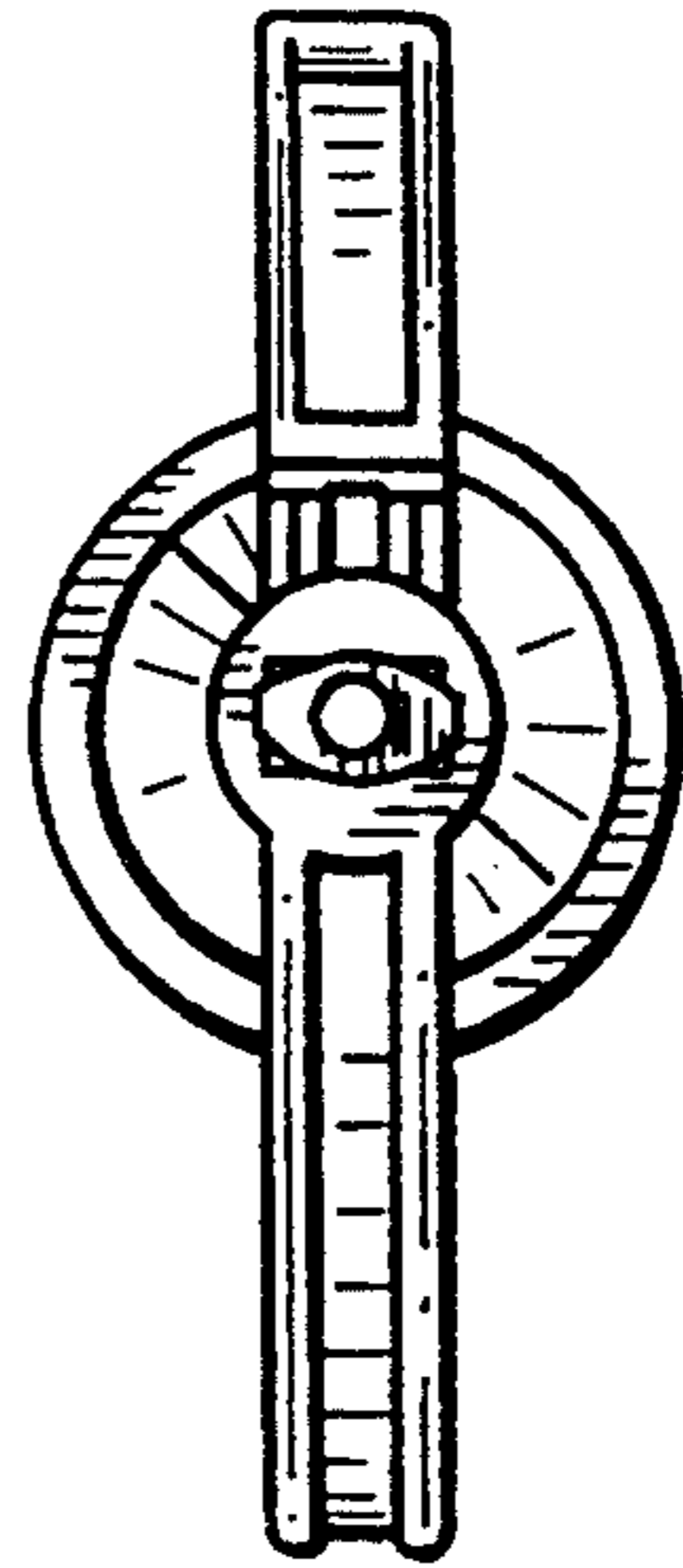


FIG-13

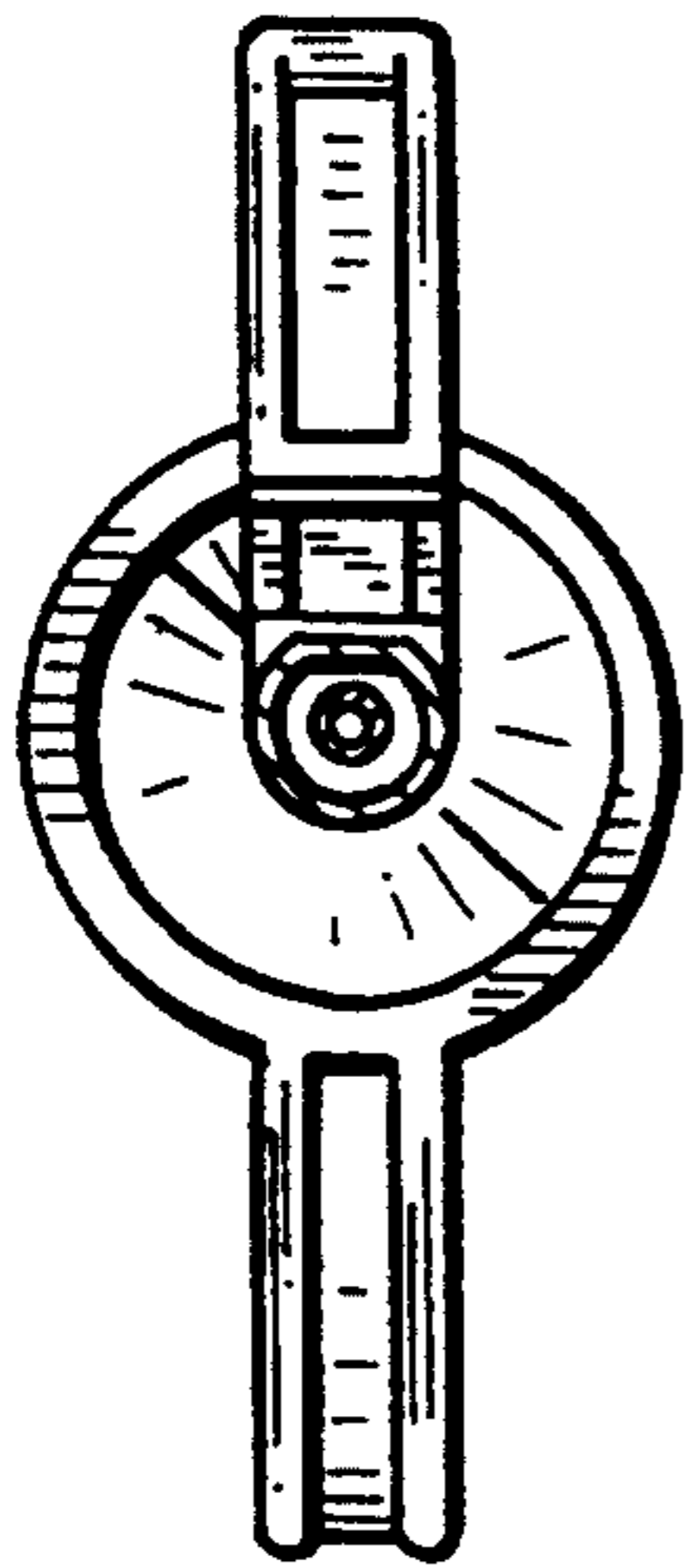


FIG-14

