



US00D349337S

United States Patent [19]

[11] Patent Number: **Des. 349,337**

Tsuji

[45] Date of Patent: **** Aug. 2, 1994**

[54] **CEILING FAN**

FOREIGN PATENT DOCUMENTS

[75] Inventor: **Masao Tsuji**, Germantown, Tenn.

237898 10/1986 Japan 416/5

[73] Assignee: **Hunter Fan Company**, Memphis, Tenn.

Primary Examiner—Lisa P. Lichtenstein
Attorney, Agent, or Firm—Heiskell, Donelson, Bearman, Adams, Williams & Caldwell

[**] Term: **14 Years**

[57] CLAIM

[21] Appl. No.: **15,994**

The ornamental design for a ceiling fan, as shown and described.

[22] Filed: **Dec. 2, 1993**

DESCRIPTION

[52] U.S. Cl. **D23/377; D23/379; D23/385**

[58] **Field of Search** 392/364; 362/96, 294; 416/5; D23/377, 379, 385, 411, 413, 370; D26/81-86, 88, 59, 72, 51

FIG. 1 is a side, bottom perspective view of a ceiling fan showing my new design;

FIG. 2 is a cross-section view thereof taken along the line 2-2 in FIG. 4 and looking in the direction of the arrow;

FIG. 3 is a bottom plan view thereof; and,

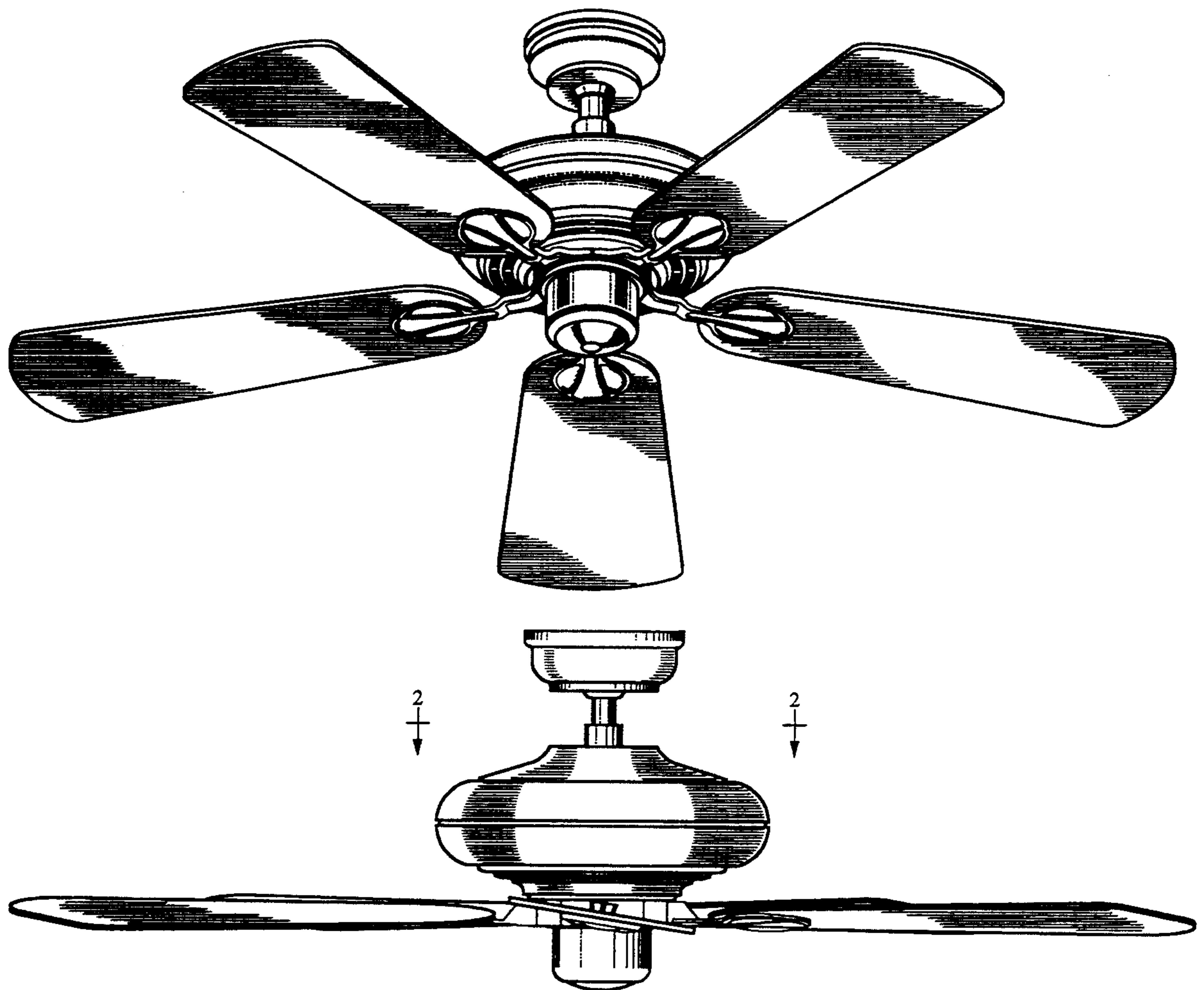
FIG. 4 is an enlarged side elevational view thereof, the remaining side views being substantially the same.

[56]

References Cited

U.S. PATENT DOCUMENTS

D. 339,191 9/1993 Vieyra D23/379



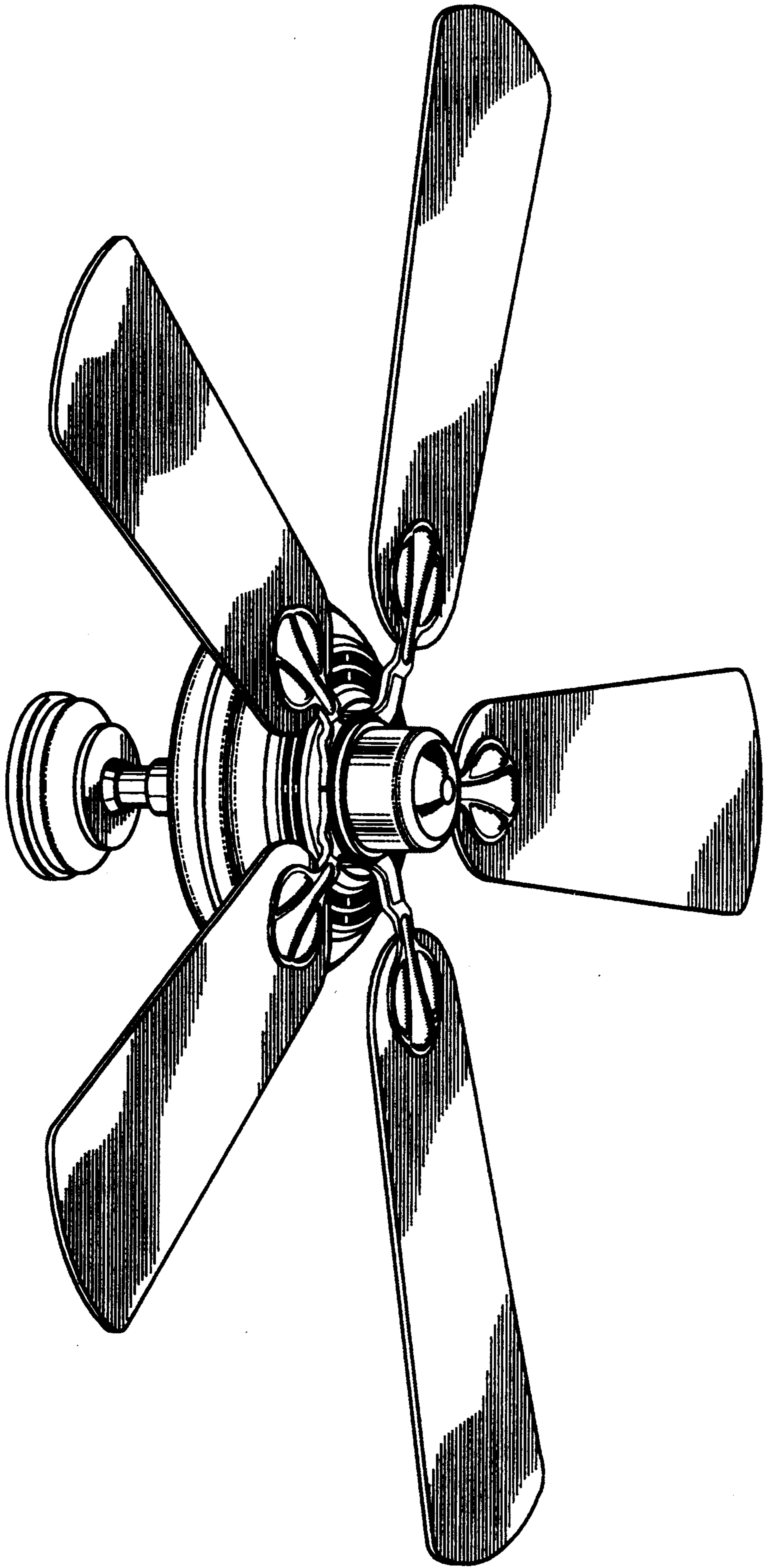


Fig.1

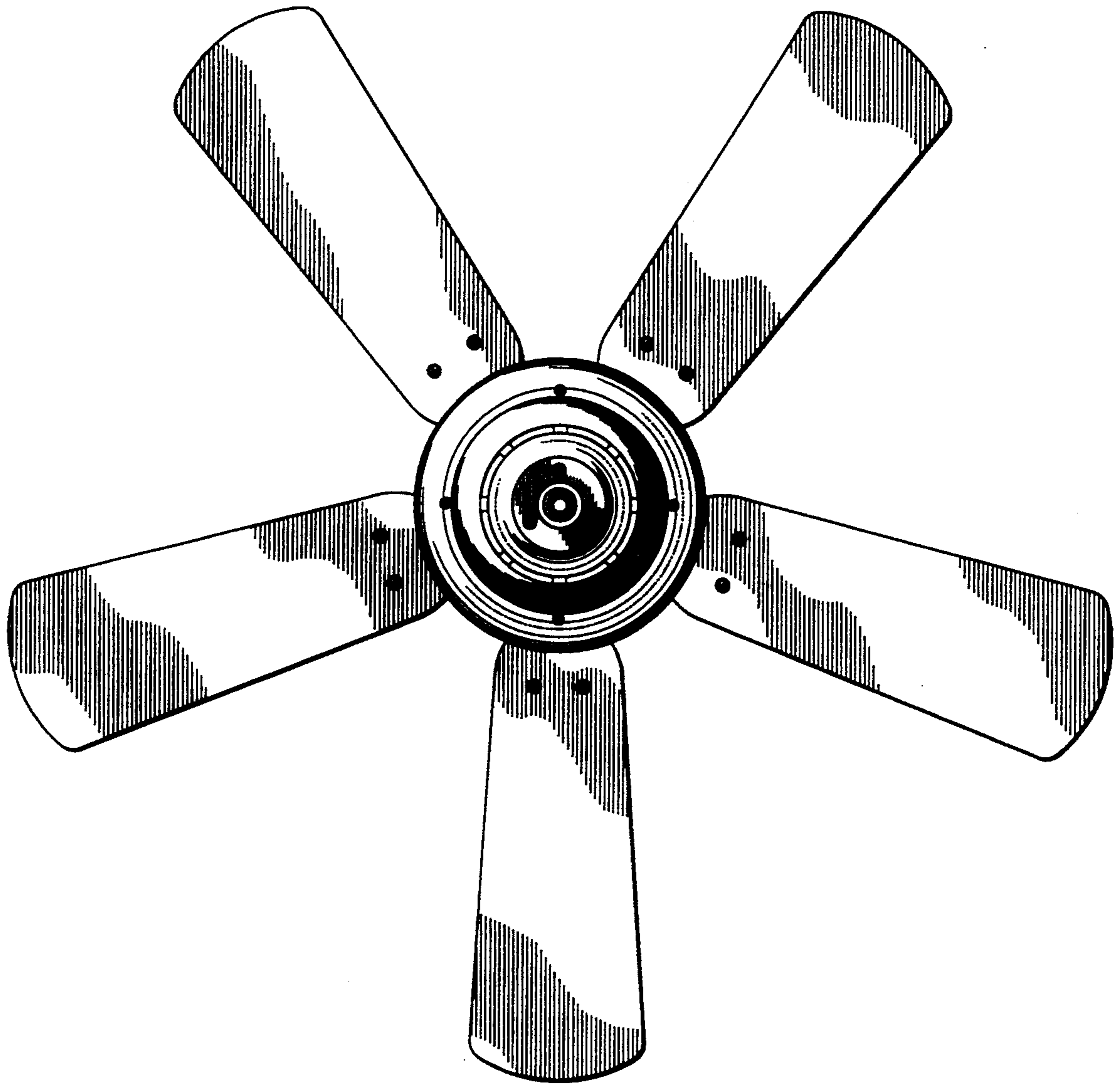


Fig.2

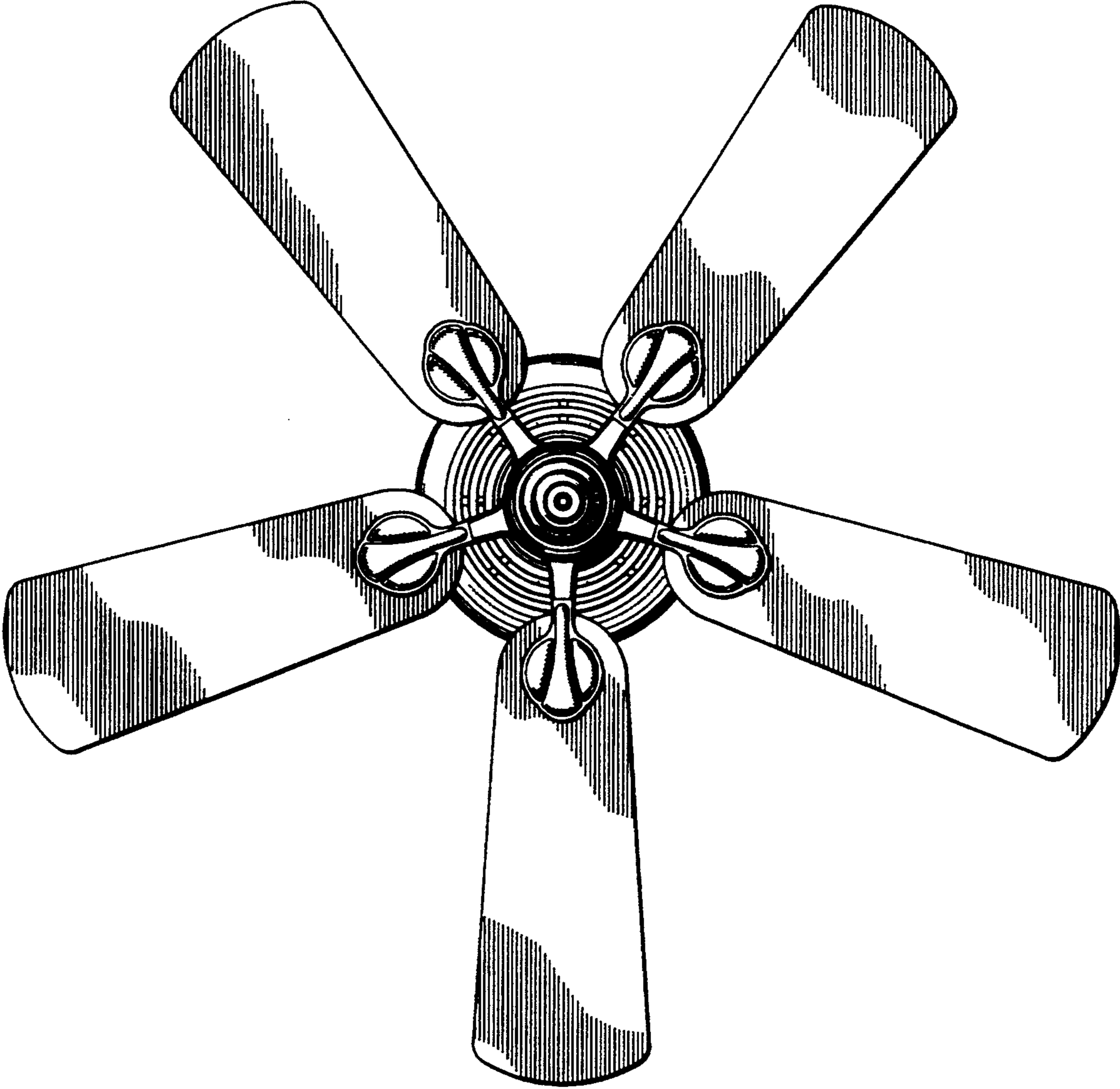


Fig.3

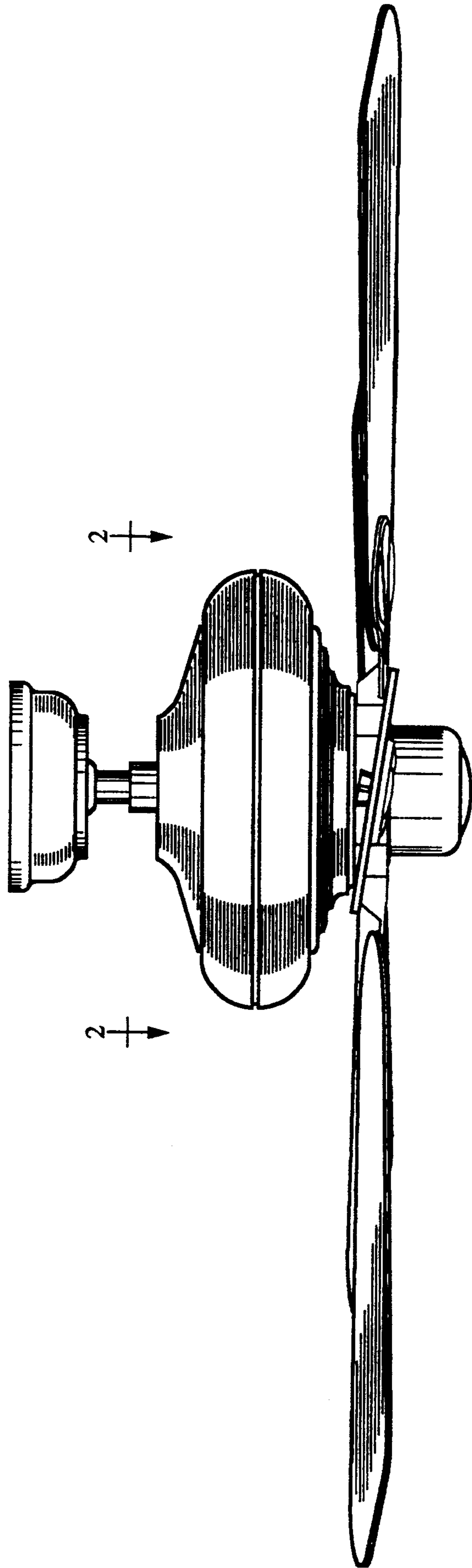


Fig.4