



US00D349336S

# United States Patent [19] Tsuji

[11] Patent Number: **Des. 349,336**

[45] Date of Patent: **\*\* Aug. 2, 1994**

[54] CEILING FAN

[56] References Cited

[75] Inventor: **Masao Tsuji**, Germantown, Tenn.

D. 297,360 8/1988 Cheslock ..... D23/379  
D. 331,103 11/1992 Pearce ..... D23/411

[73] Assignee: **Hunter Fan Company**, Memphis, Tenn.

*Primary Examiner*—Lisa Lichtenstein  
*Attorney, Agent, or Firm*—Heiskell, Donelson, Bearman, Adams, Williams & Caldwell

[\*\*] Term: **14 Years**

[57] CLAIM

The ornamental design for a ceiling fan, as shown and described.

[21] Appl. No.: **14,814**

### DESCRIPTION

[22] Filed: **Oct. 29, 1993**

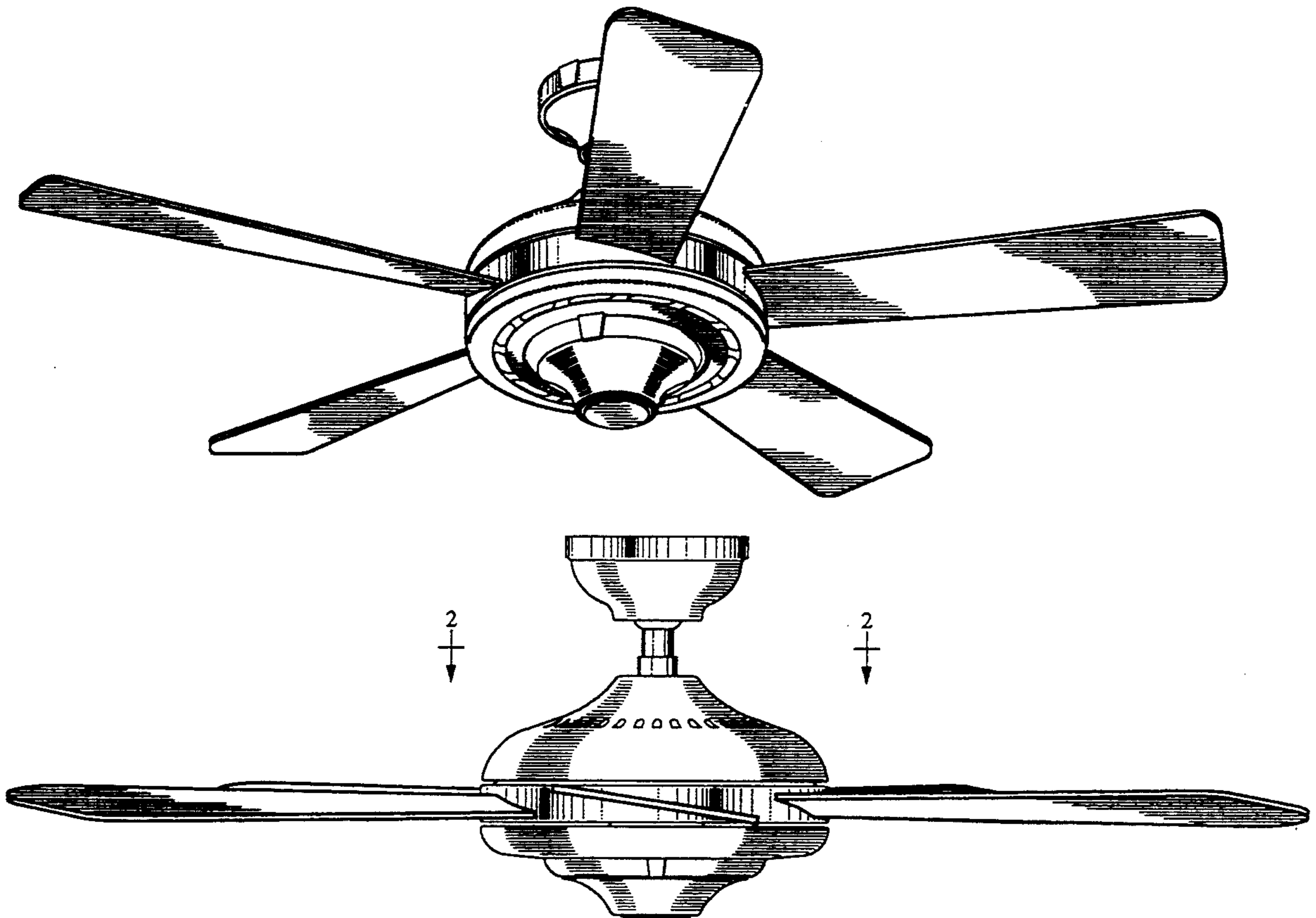
FIG. 1 is a side, bottom perspective view of a ceiling fan showing my new design;

[52] U.S. Cl. .... **D23/377; D23/379; D23/385**

FIG. 2 is a cross sectional view thereof taken along line 2—2 in FIG. 4 and looking in the direction of the arrows;

[58] Field of Search ..... 416/5; 362/96, 294; 392/364; D23/377, 379, 385, 411, 413; D26/81-86, 88, 59, 72, 57

FIG. 3 is a bottom view thereof; and, FIG. 4 is an enlarged side elevational view thereof, the remaining views being substantially the same.



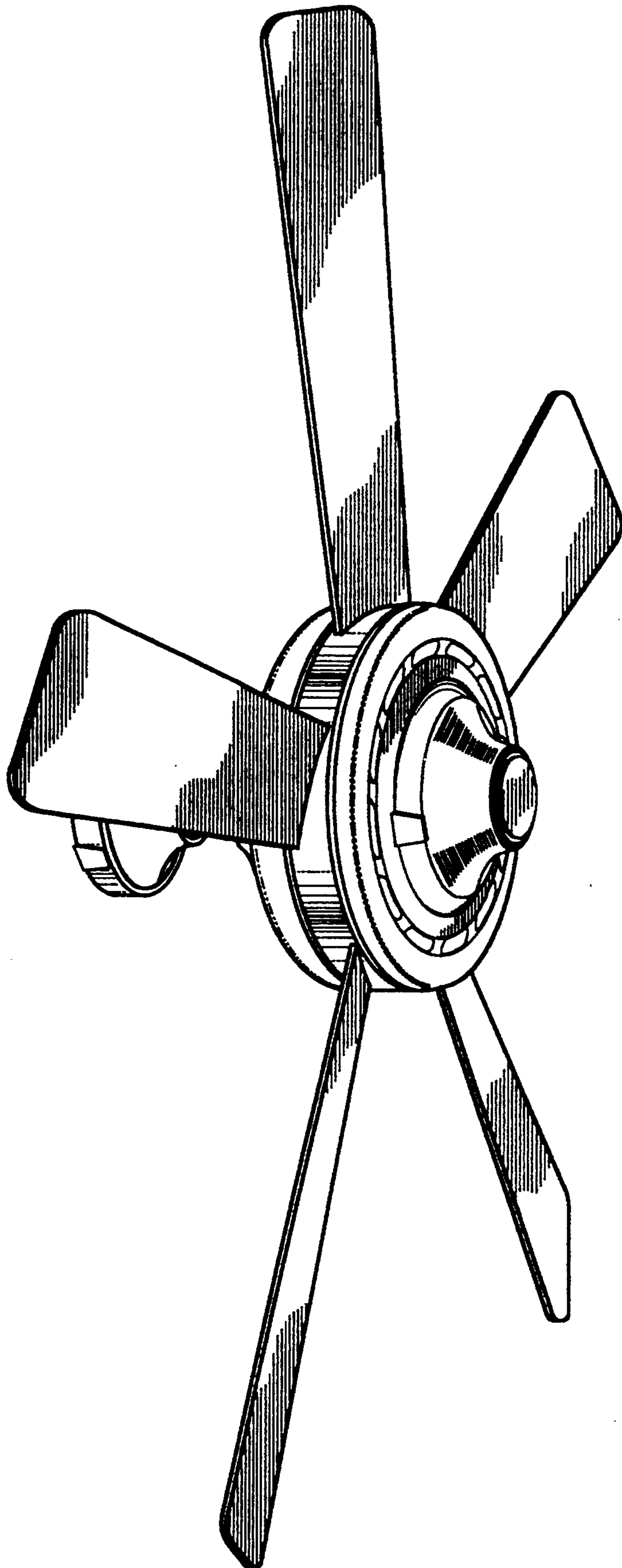


Fig. 1

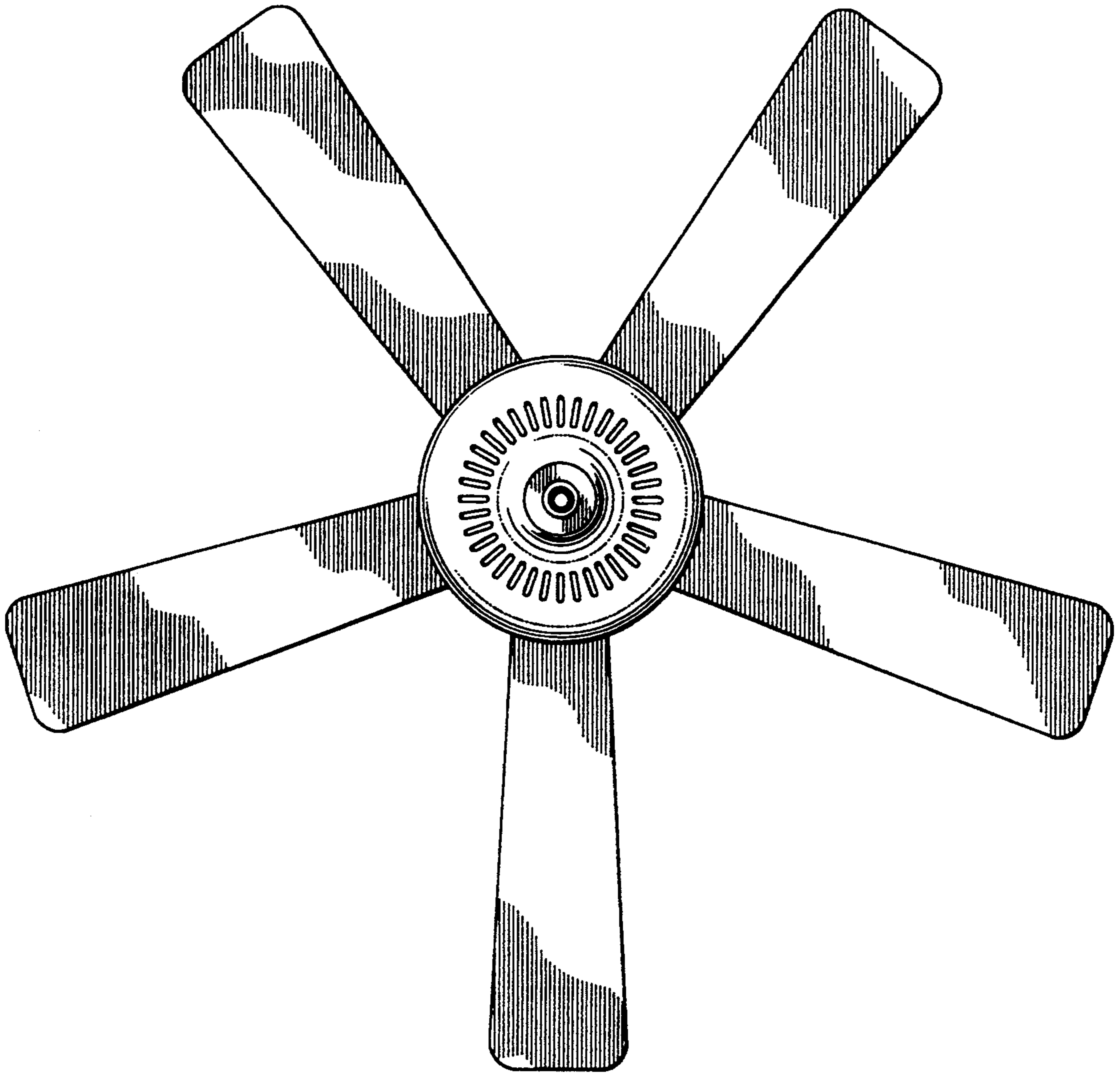


Fig.2

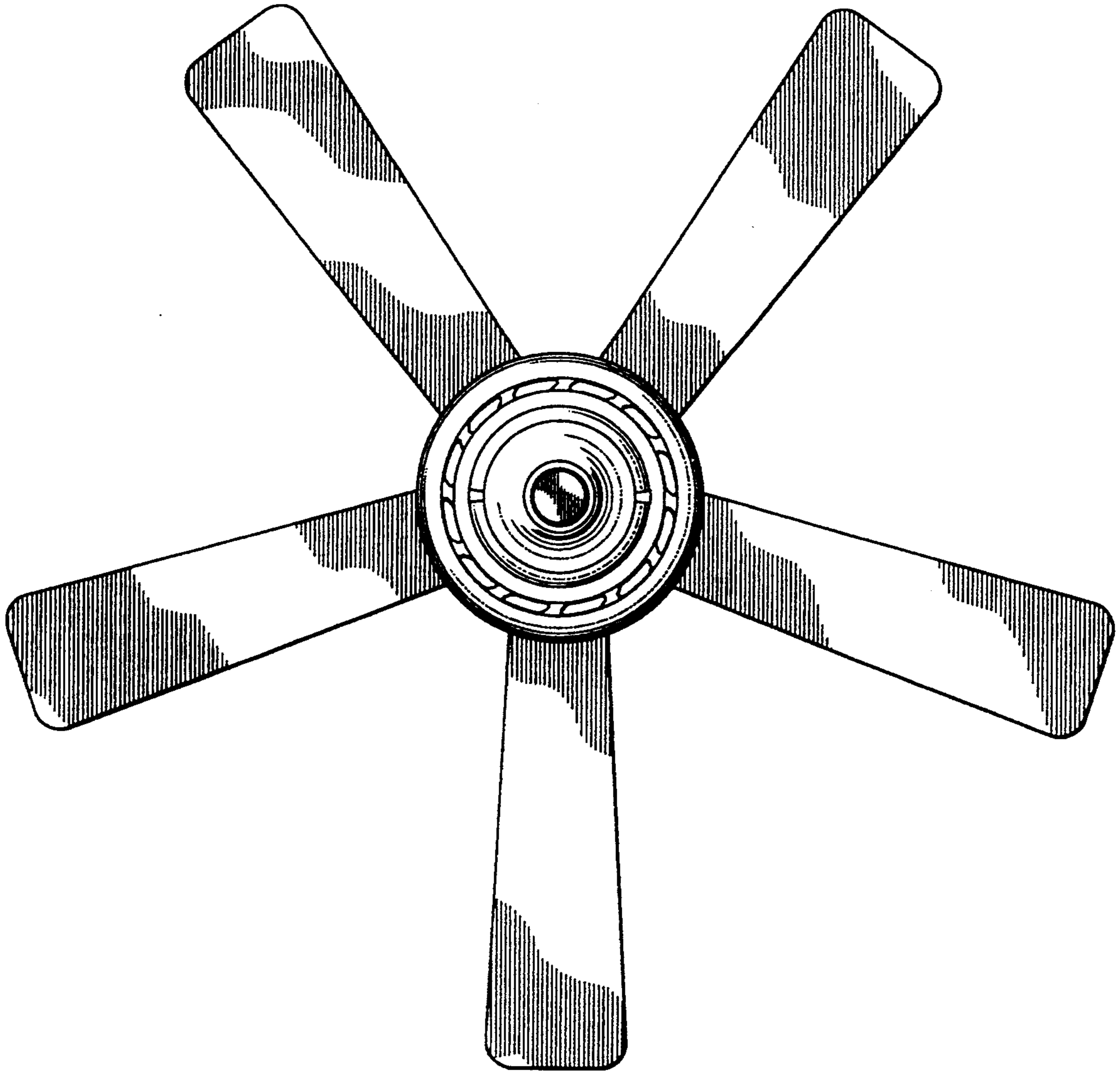


Fig.3

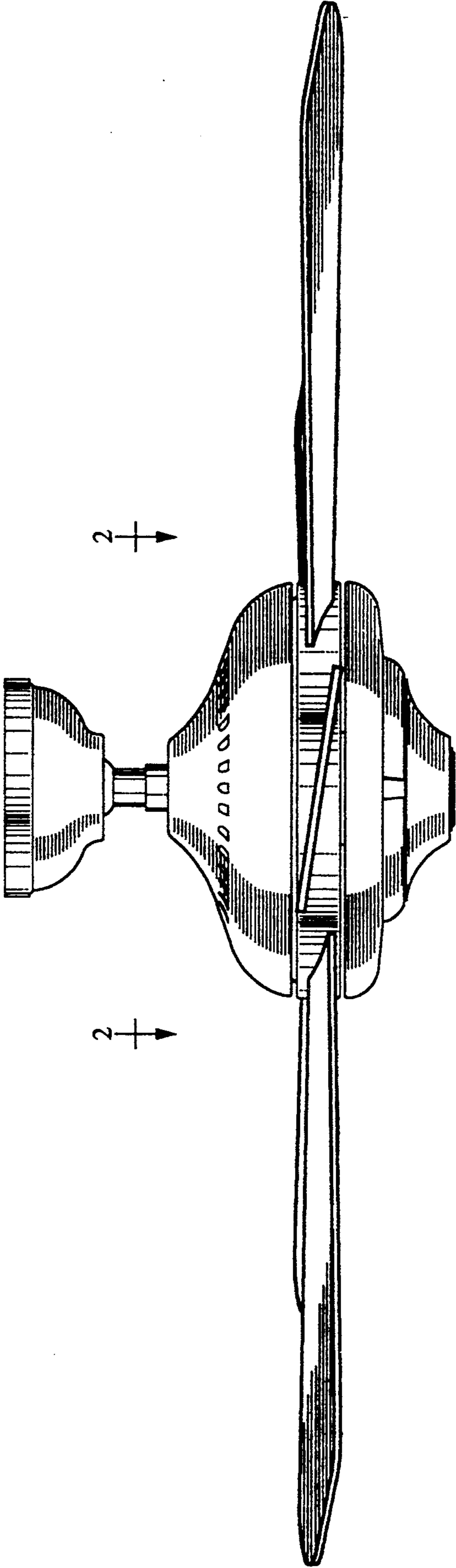


Fig.4