



US00D349326S

United States Patent [19]
Bollenbacher

[11] **Patent Number: Des. 349,326**

[45] **Date of Patent: ** Aug. 2, 1994**

[54] **FAUCET**

[75] **Inventor: John E. Bollenbacher**, Sheboygan, Wis.

[73] **Assignee: Kohler Co.**, Kohler, Wis.

[**] **Term: 14 Years**

[21] **Appl. No.: 4,388**

[22] **Filed: Feb. 3, 1993**

[52] **U.S. Cl. D23/238**

[58] **Field of Search 4/675-678;
137/801; D23/238-243, 250-257**

[56] **References Cited**

U.S. PATENT DOCUMENTS

D. 87,328	7/1932	Brotz	D23/243
D. 235,099	5/1975	Domen	D23/257
D. 263,991	4/1982	Fleischmann	D23/257
D. 287,395	12/1986	Piesco	D23/255
D. 293,362	12/1987	Hill et al.	D23/241
D. 293,601	1/1988	Hill et al.	D23/255
D. 318,099	7/1991	Reid et al.	D23/255
D. 318,901	8/1991	Rodstein	D23/242
D. 340,968	11/1993	McKeone et al.	D23/255

OTHER PUBLICATIONS

Kohler ad, dated Aug. 19, 1991, showing faucets with one type of goose neck spout.

Undated, admitted prior art, ad for a Cheswick faucet.

Undated, admitted prior art, Kohler ad showing Finesse lavatory faucets.

Undated, admitted prior art, ad for a Ligne "Cuisine" faucet.

Primary Examiner—James R. Largen

Attorney, Agent, or Firm—Quarles & Brady

[57] **CLAIM**

The ornamental design for a faucet, as shown and described.

DESCRIPTION

FIG. 1 is a perspective view taken from the top, front and left side of a faucet embodying my new design;

FIG. 2 is a left side elevational view thereof, the right side being a mirror image of the left side;

FIG. 3 is a top plan view thereof;

FIG. 4 is a front elevational view thereof;

FIG. 5 is a rear elevational view thereof;

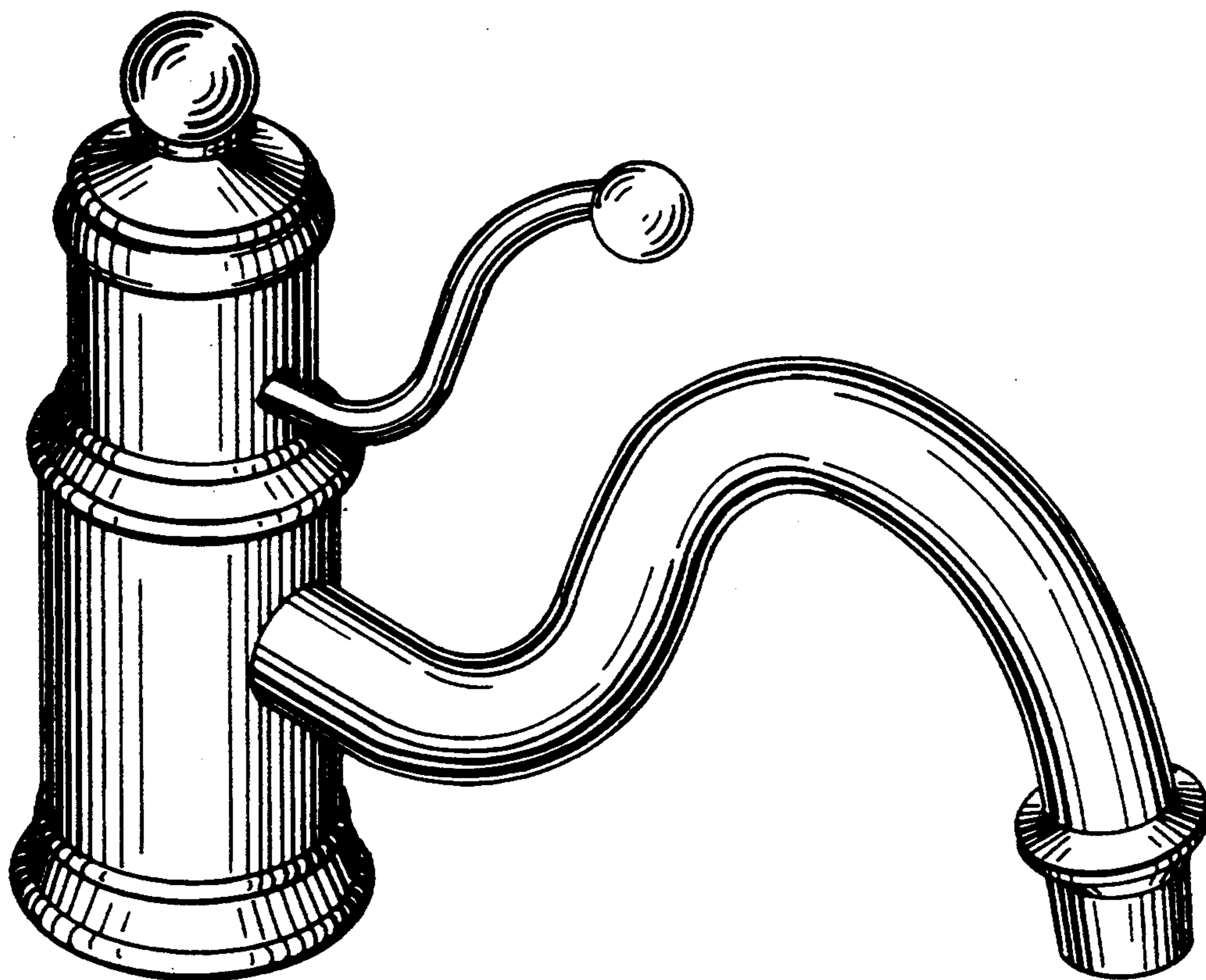
FIG. 6 is a perspective view taken from the top, front and left side of a second embodiment thereof;

FIG. 7 is a left side elevational view of FIG. 6, the right side being a mirror image of the left side;

FIG. 8 is a top plan view of FIG. 6;

FIG. 9 is a front elevational view of FIG. 6; and,

FIG. 10 is a rear elevational view of FIG. 6.



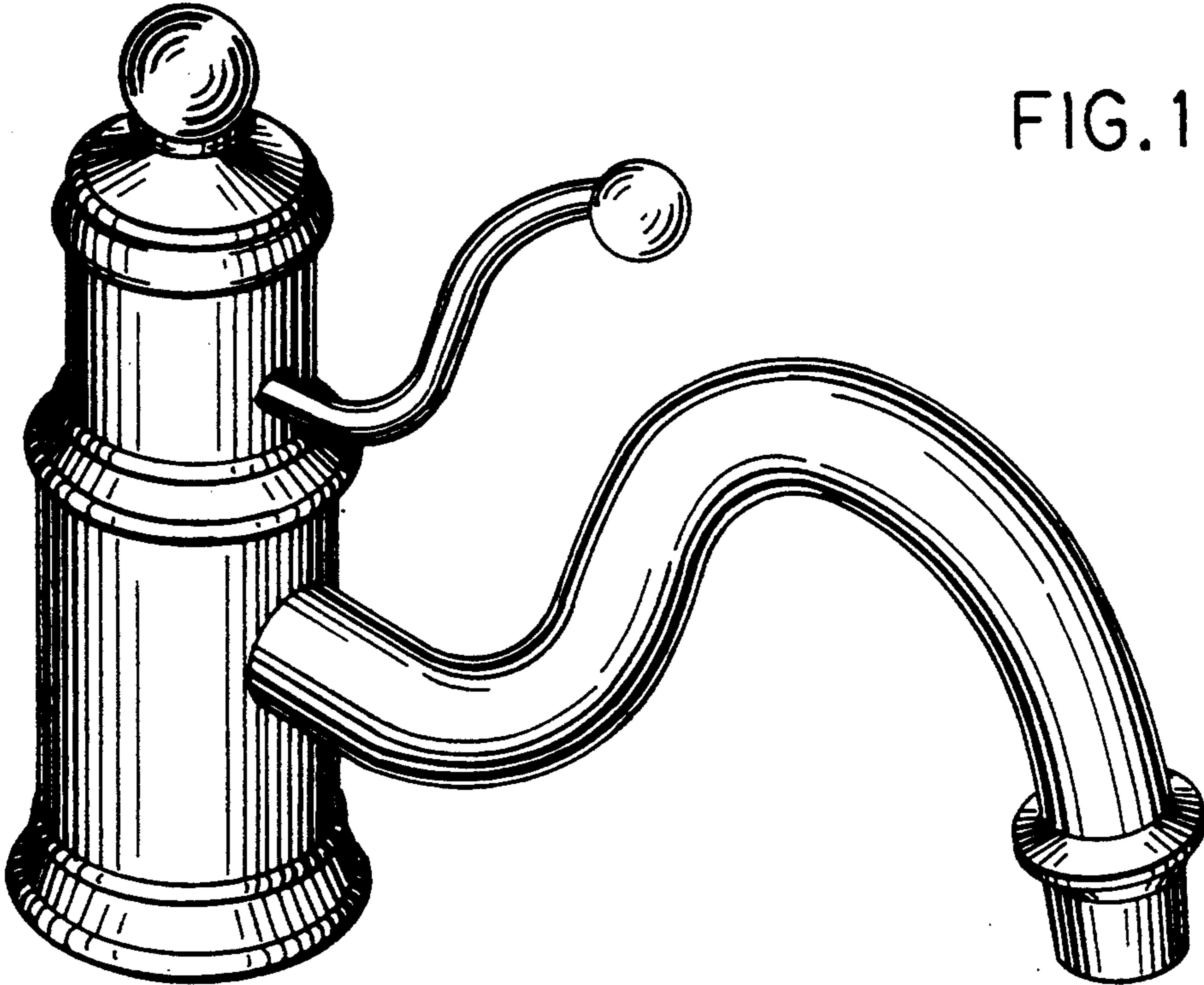


FIG. 1

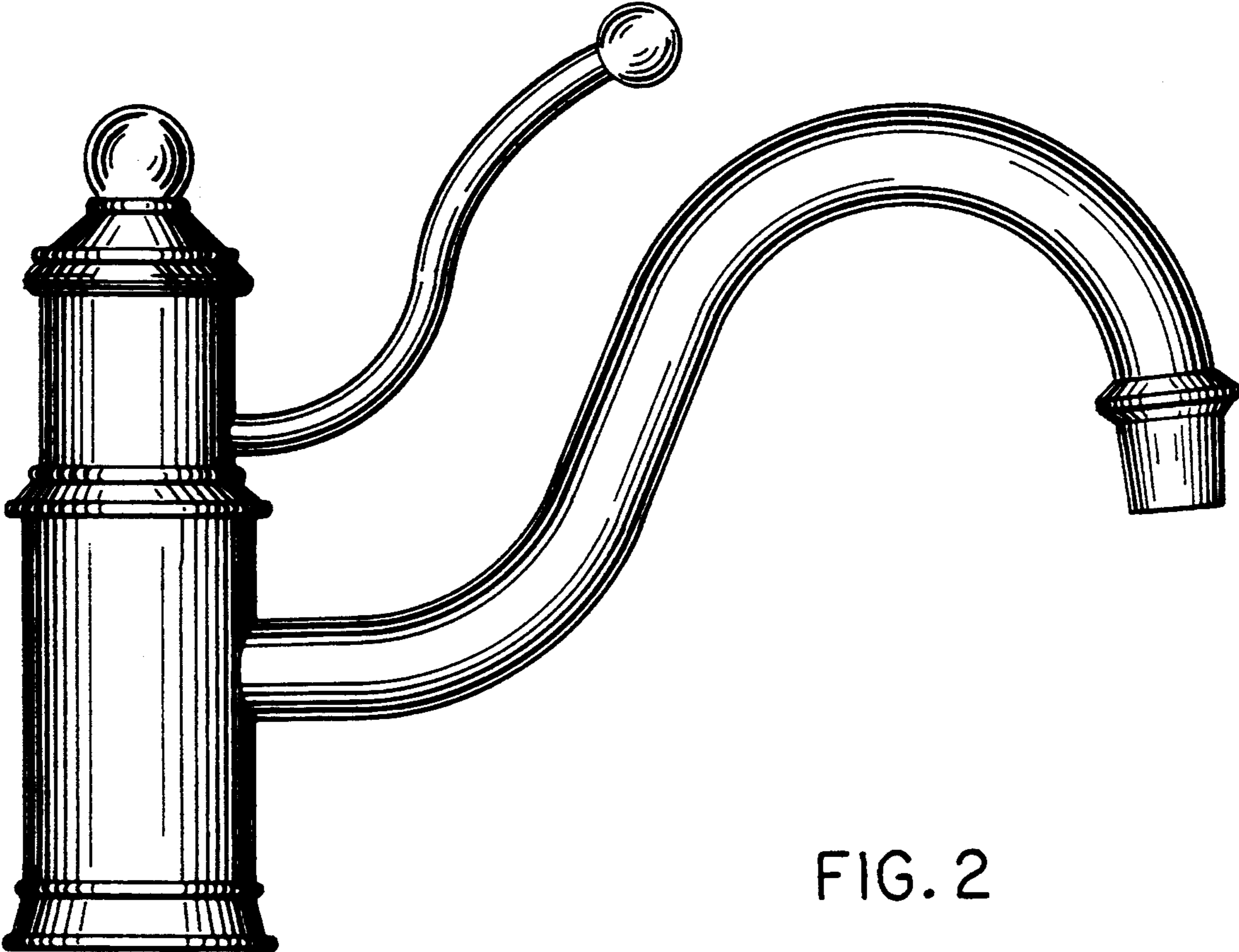


FIG. 2

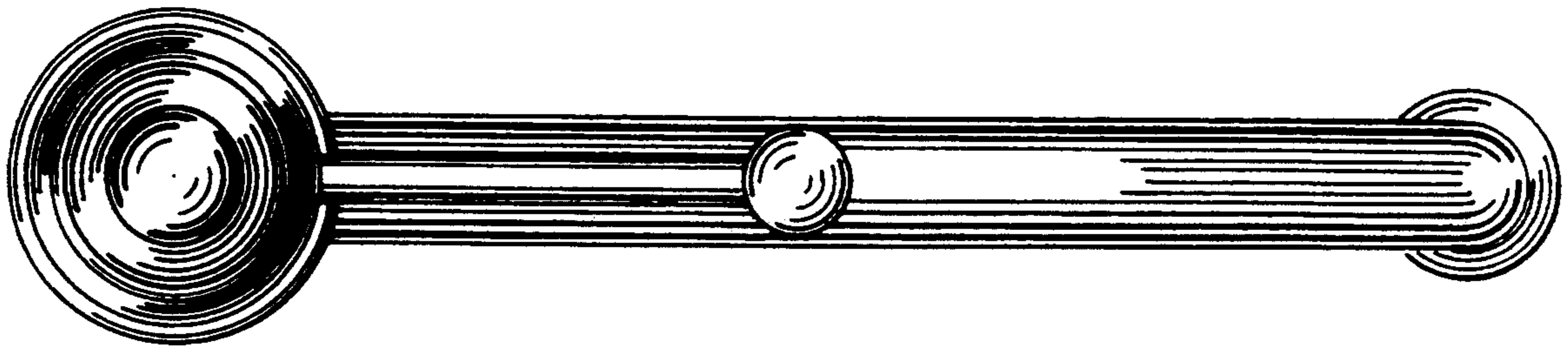


FIG. 3

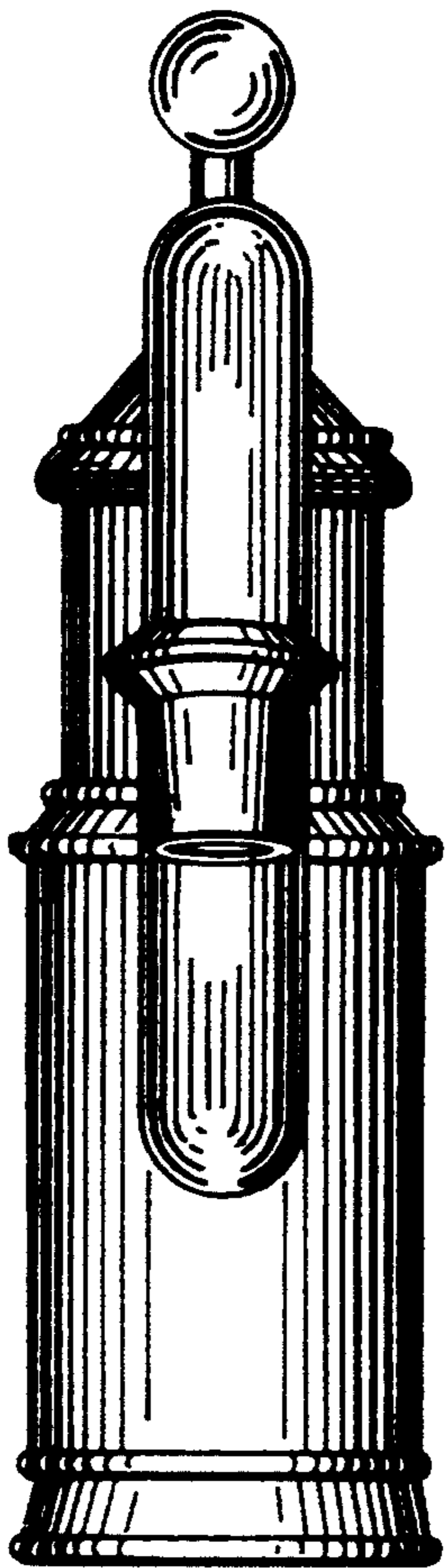


FIG. 4

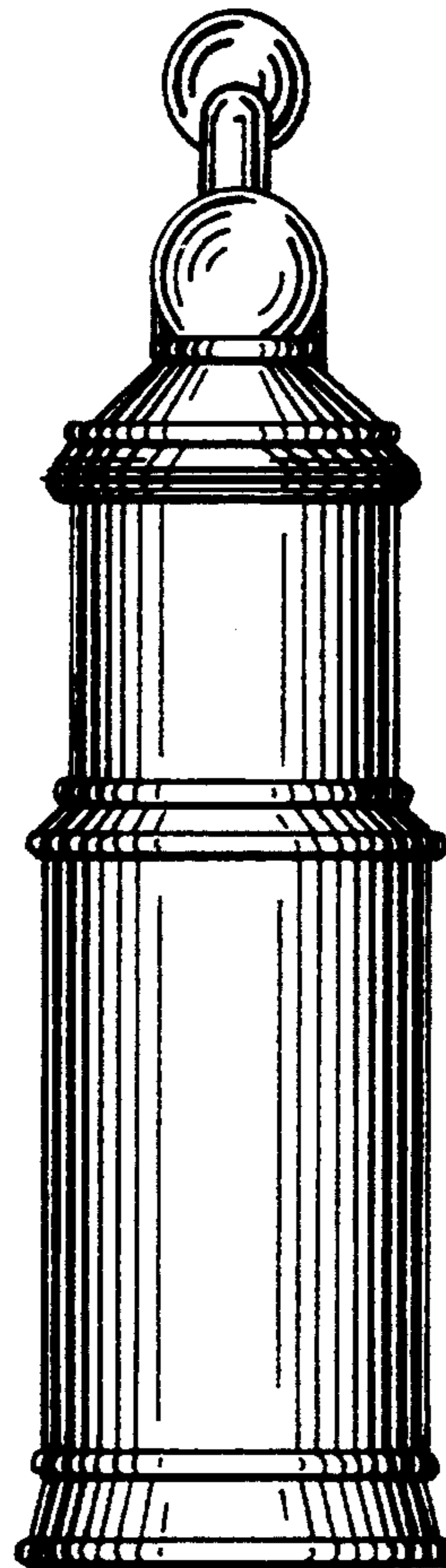


FIG. 5

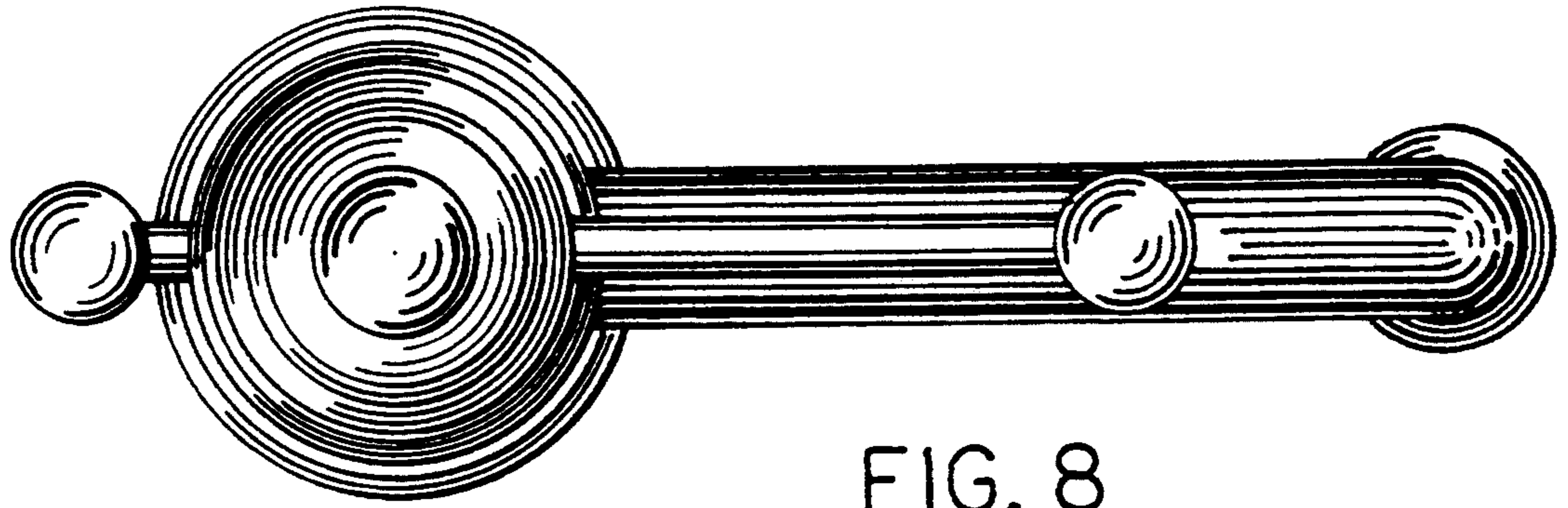


FIG. 8

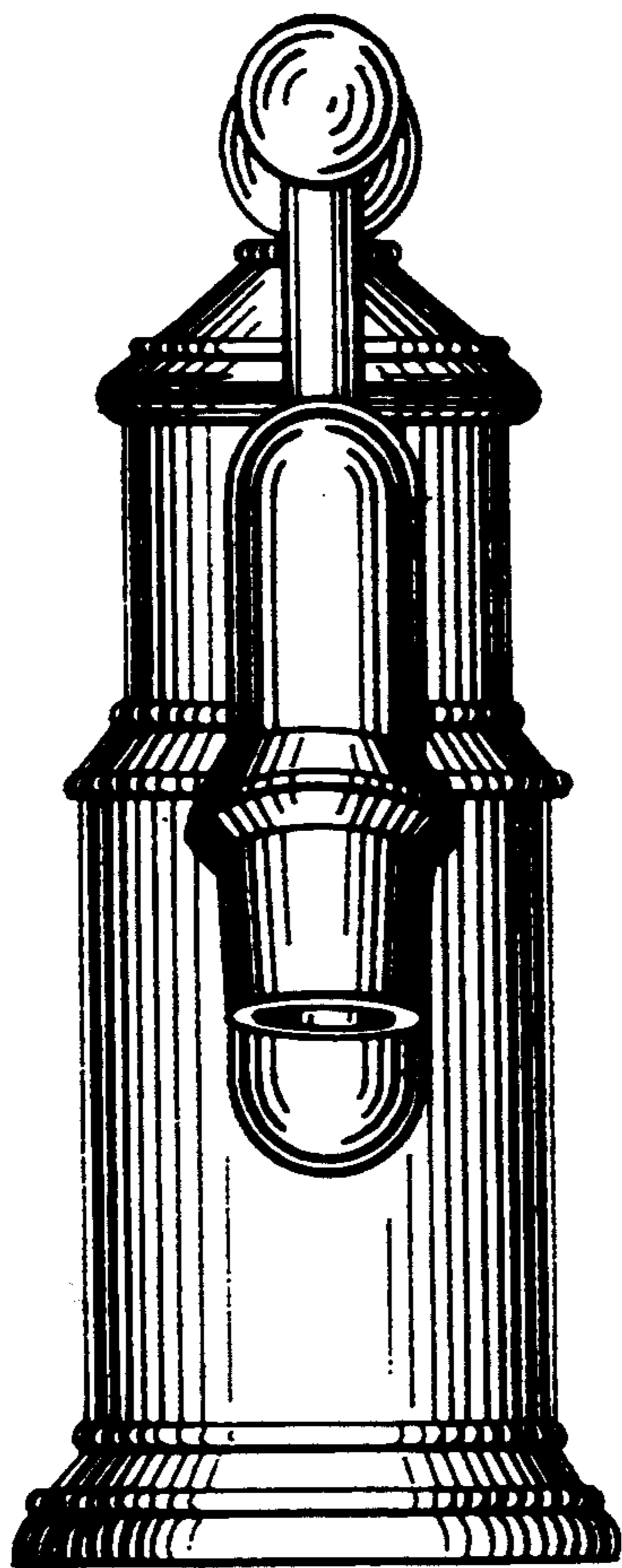


FIG. 9

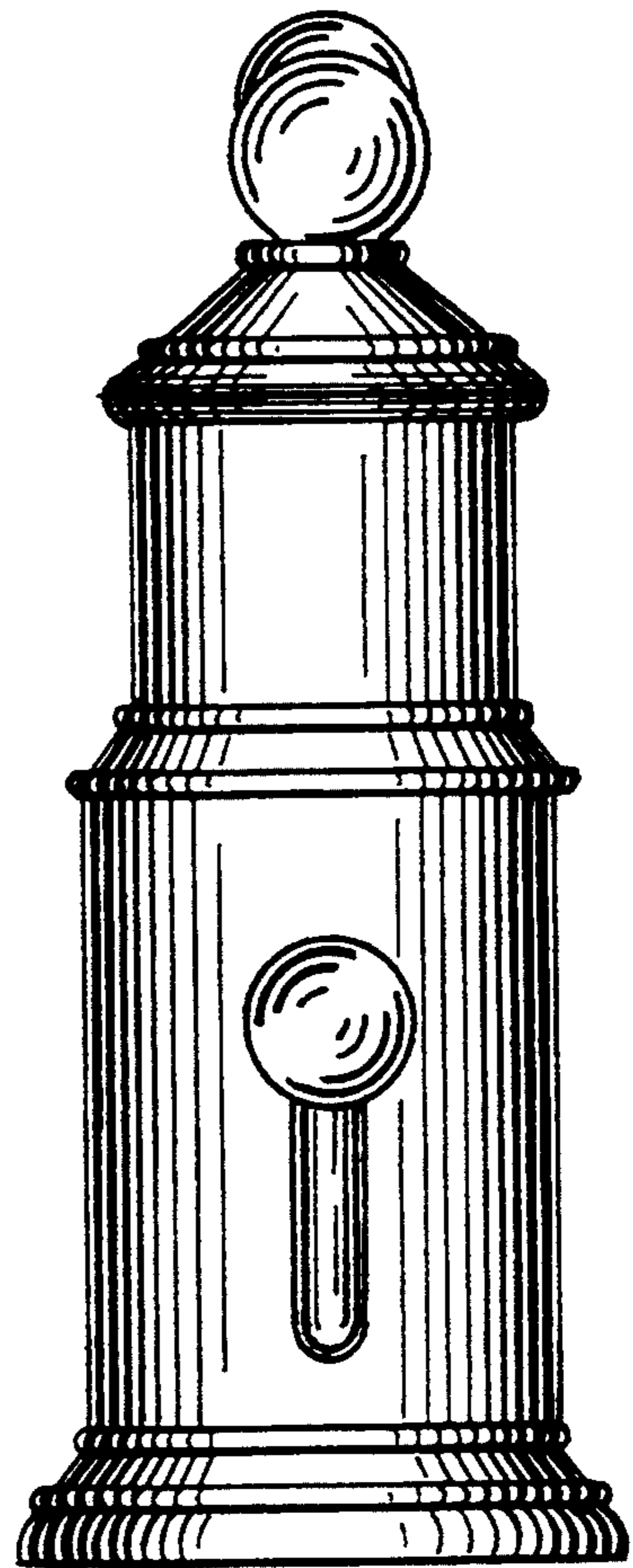


FIG. 10

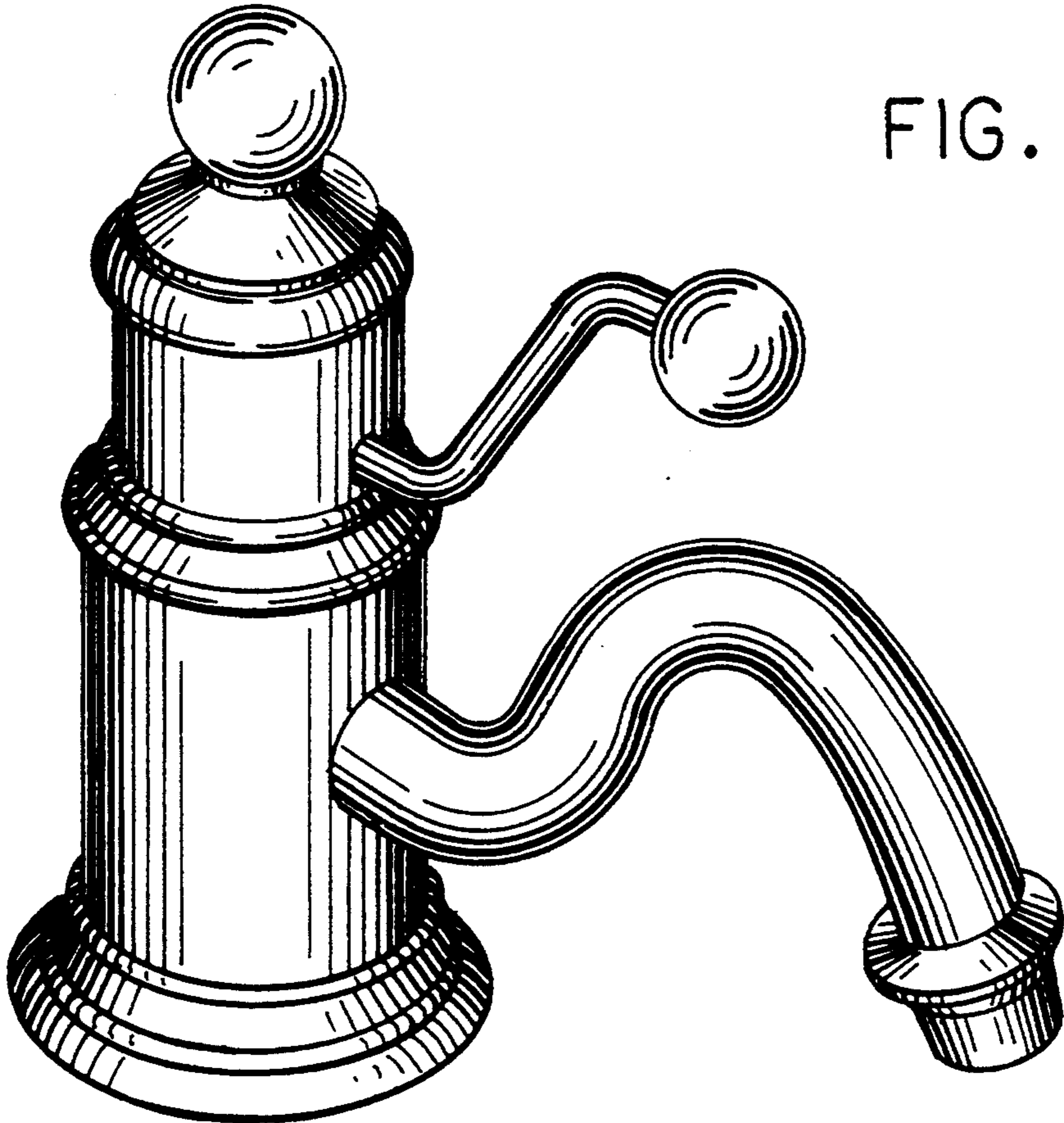


FIG. 6

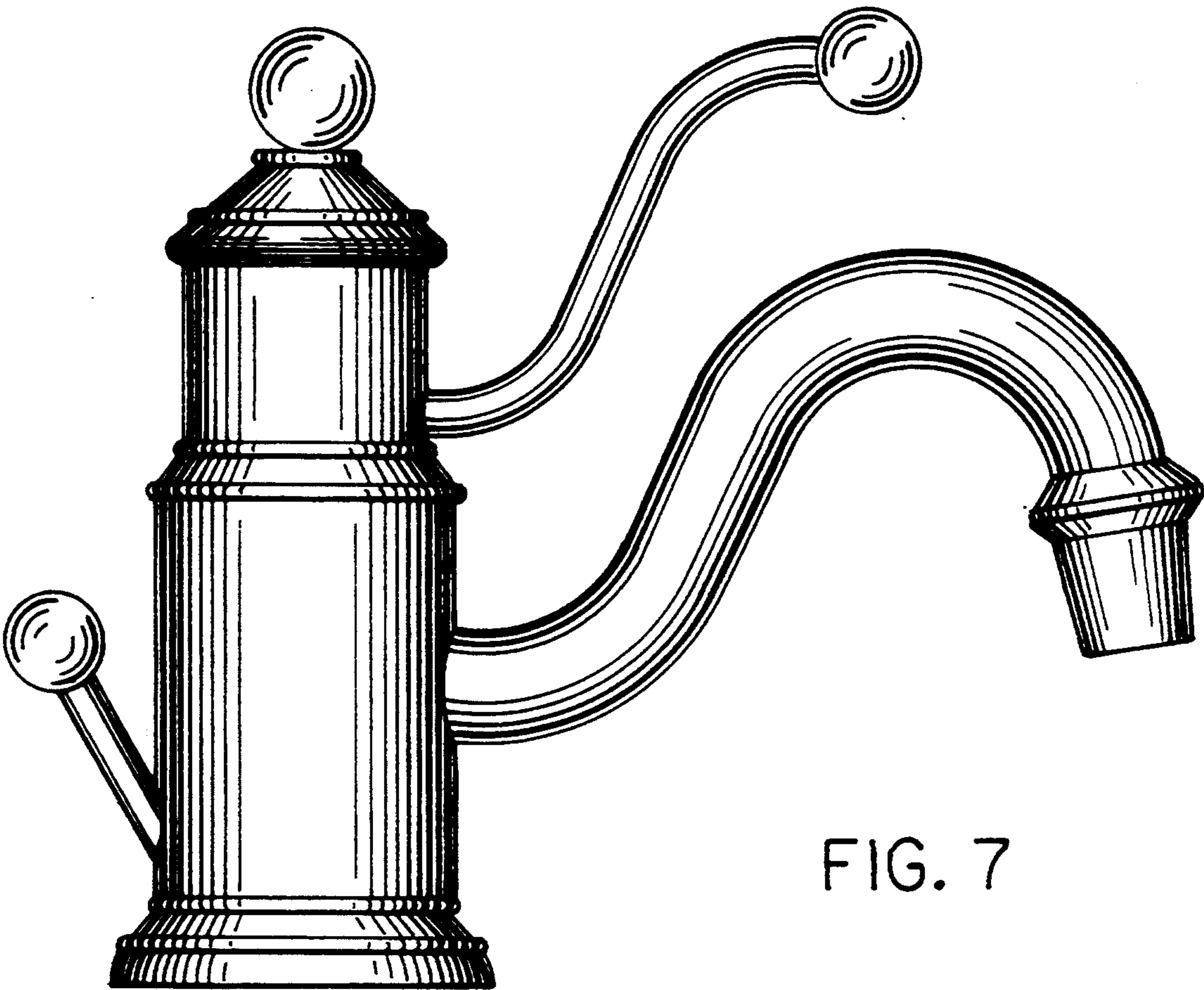


FIG. 7