



US00D349325S

United States Patent [19]

[11] Patent Number: **Des. 349,325**

Jones

[45] Date of Patent: **** Aug. 2, 1994**

[54] **BRAKE SYSTEM REGULATOR**

[76] Inventor: **Ed F. Jones**, P.O. Box 9880, Spokane, Wash. 99209

[**] Term: **14 Years**

[21] Appl. No.: **900,097**

[22] Filed: **Jun. 16, 1992**

[52] U.S. Cl. **D23/235**

[58] Field of Search 303/87; 138/30, 31; 137/505, 549; D23/233-237, 244-249

[56] **References Cited**

U.S. PATENT DOCUMENTS

D. 103,582	3/1937	Murphy	D23/235
D. 234,359	2/1975	Holben et al.	D23/235
D. 236,266	8/1975	Holben	D23/235
D. 282,562	2/1986	Looney	D23/235
D. 301,917	6/1989	Ogasawara et al.	D23/235
D. 318,713	7/1991	Miyake et al.	D23/235
2,082,223	6/1937	Smith et al.	137/505
3,430,660	3/1969	Mitton	138/30
3,612,105	10/1971	Martin	138/30
3,757,825	9/1973	Givens et al.	138/26

4,166,655	9/1979	Spero	303/87
4,220,376	9/1980	Spero	303/87
4,571,009	2/1986	Jones	303/87
5,074,625	12/1991	Jones	303/87

FOREIGN PATENT DOCUMENTS

1373140 4/1909 France .

Primary Examiner—Stella Reid

Assistant Examiner—Eric Watterson

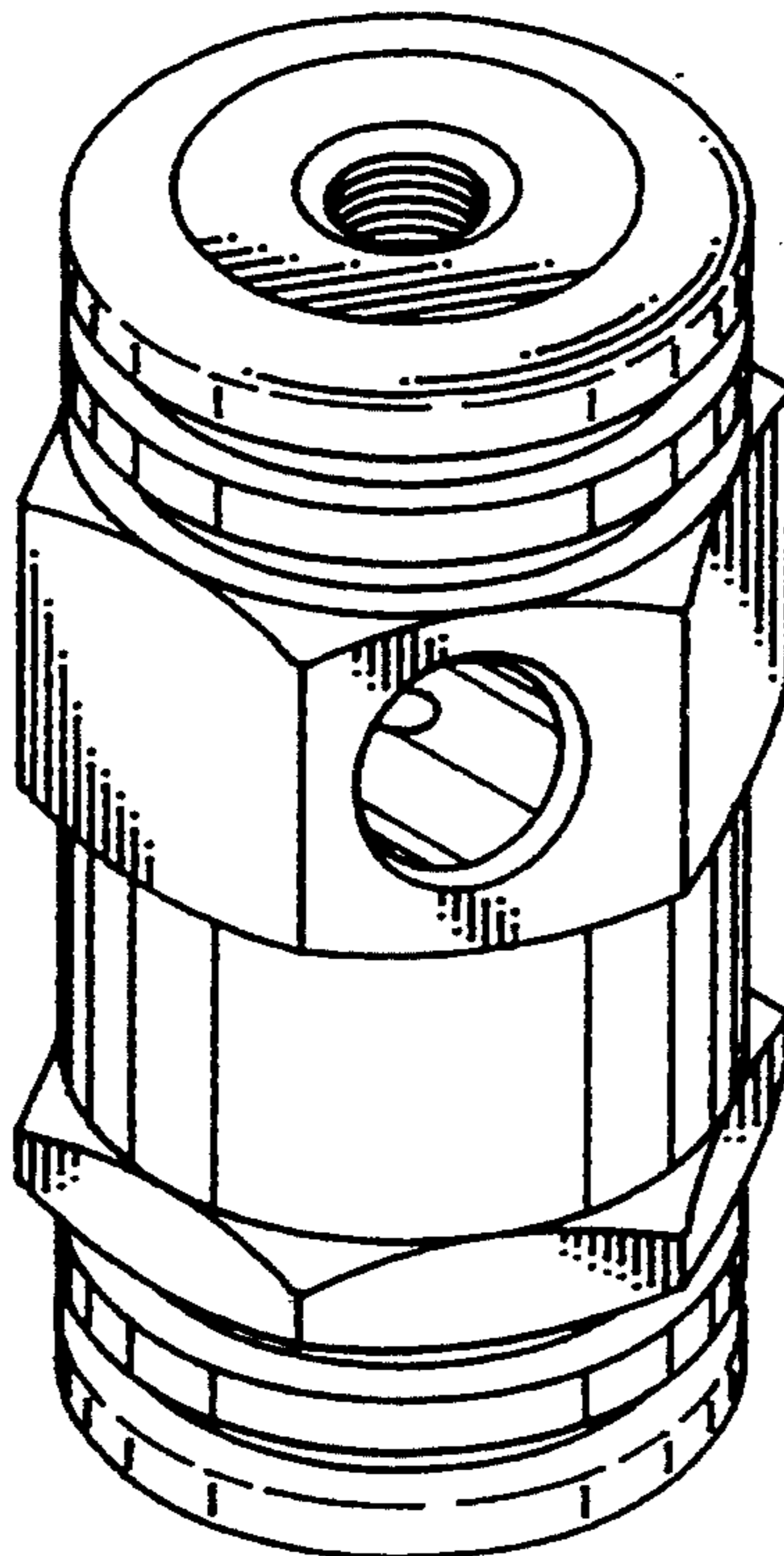
Attorney, Agent, or Firm—Wells, St. John, Roberts, Gregory & Matkin

[57] **CLAIM**

The ornamental design for a brake system regulator, as shown and described.

DESCRIPTION

FIG. 1 is a perspective view of a brake system regulator showing my new design;
 FIG. 2 is a front elevational view thereof;
 FIG. 3 is a right side elevational view thereof;
 FIG. 4 is a bottom plan view thereof;
 FIG. 5 is a top plan view thereof;
 FIG. 6 is a rear elevational view thereof; and,
 FIG. 7 is a left side elevational view thereof.



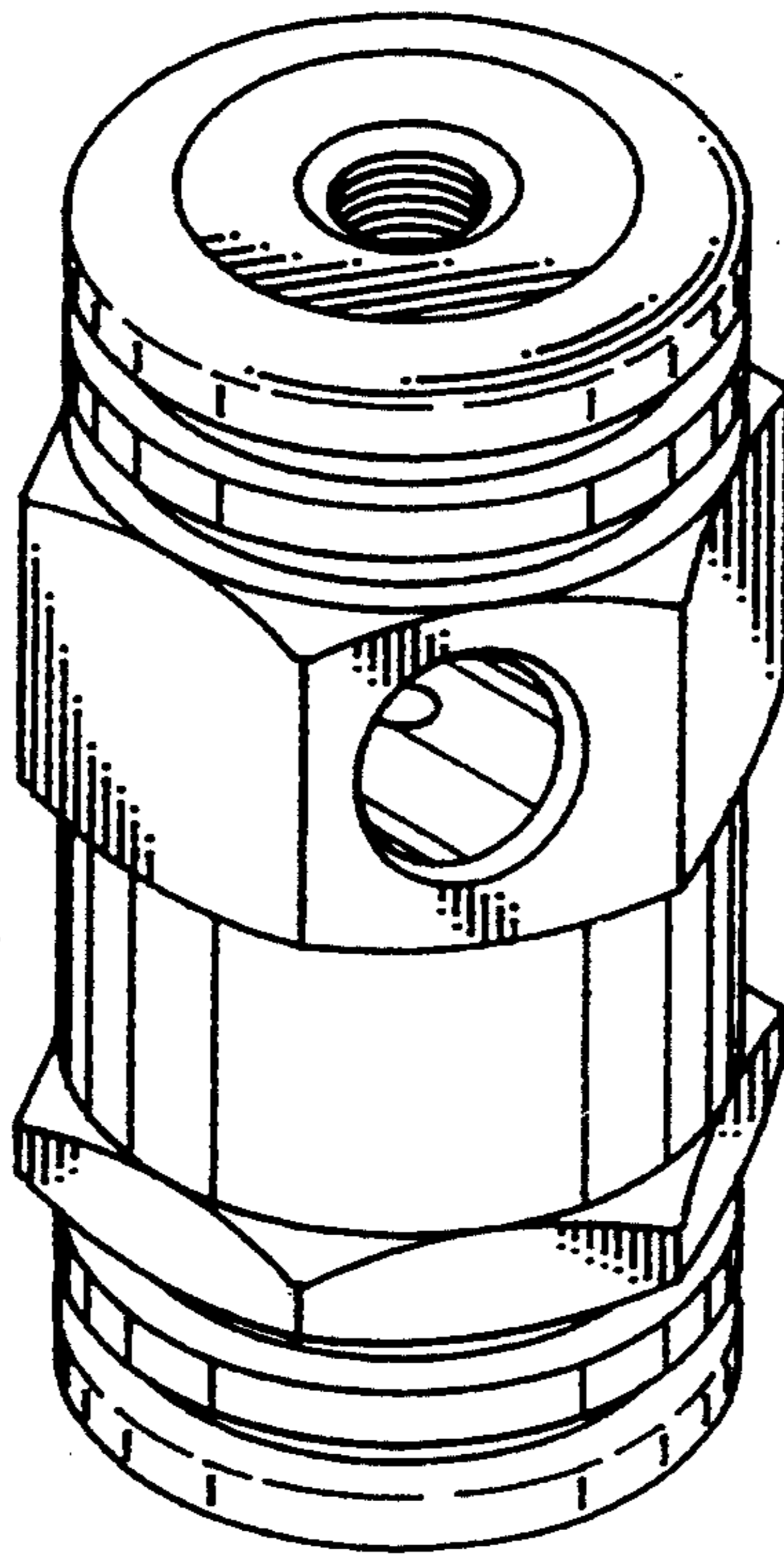


FIG. 1

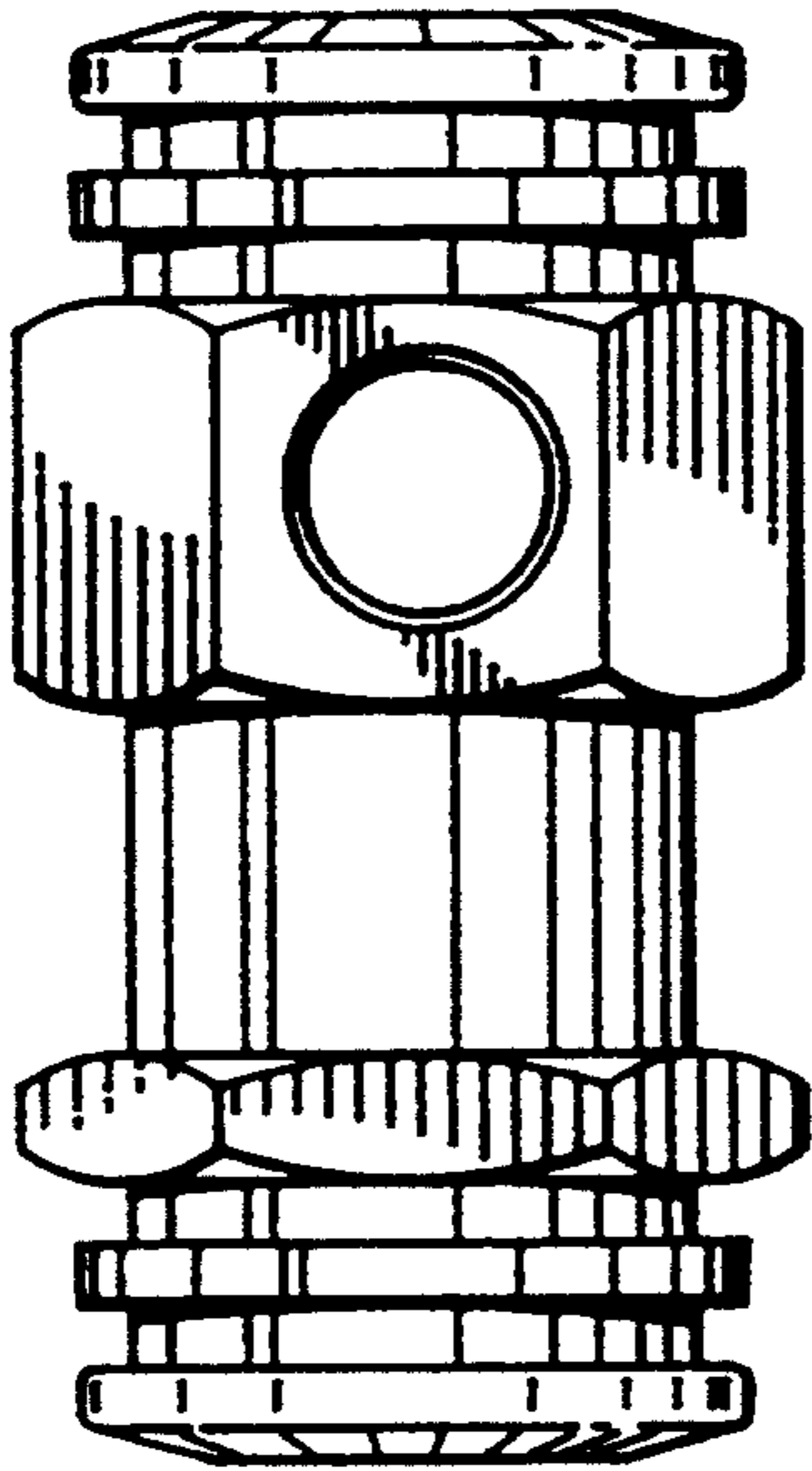


Fig. 2

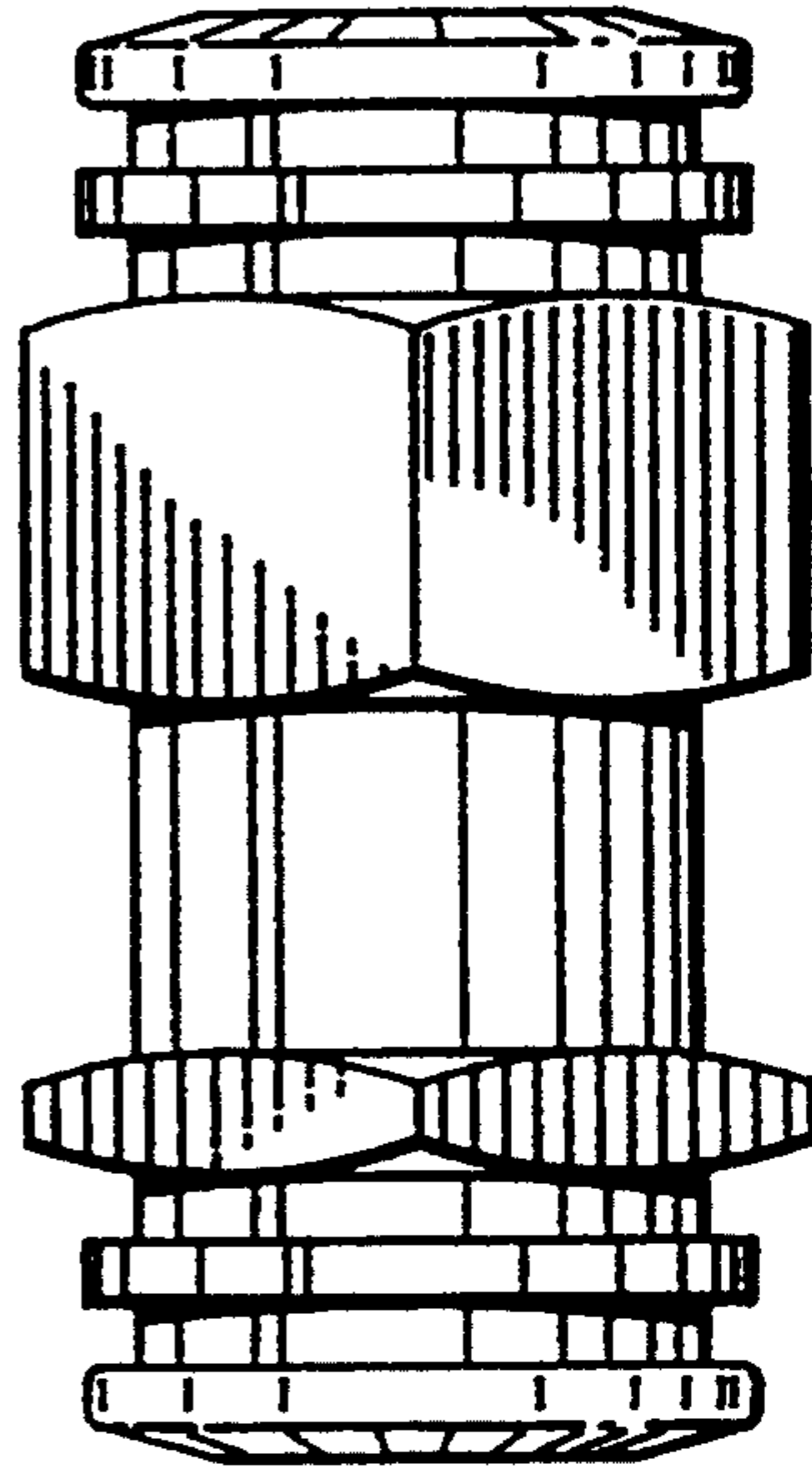


Fig. 3

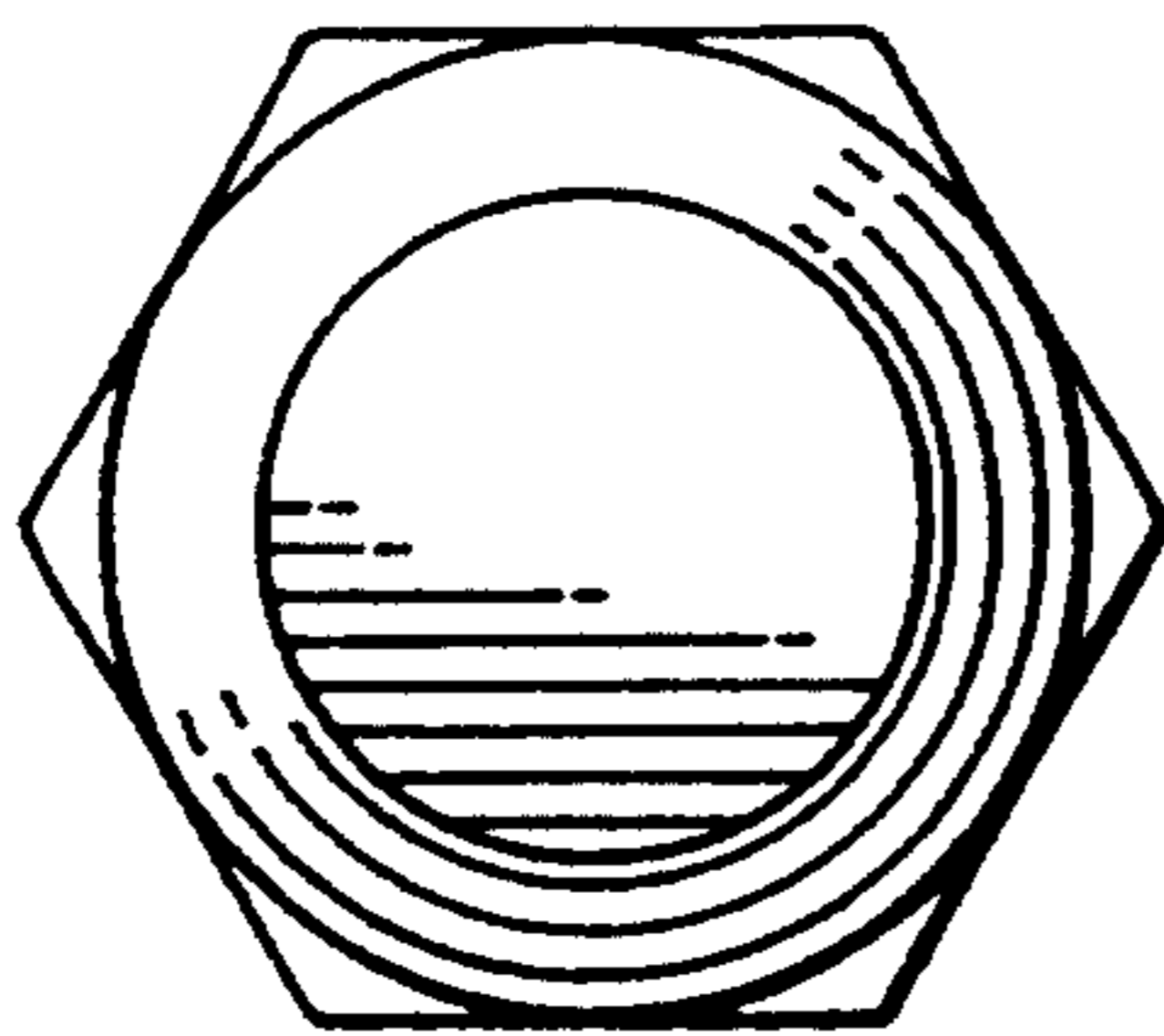


Fig. 4

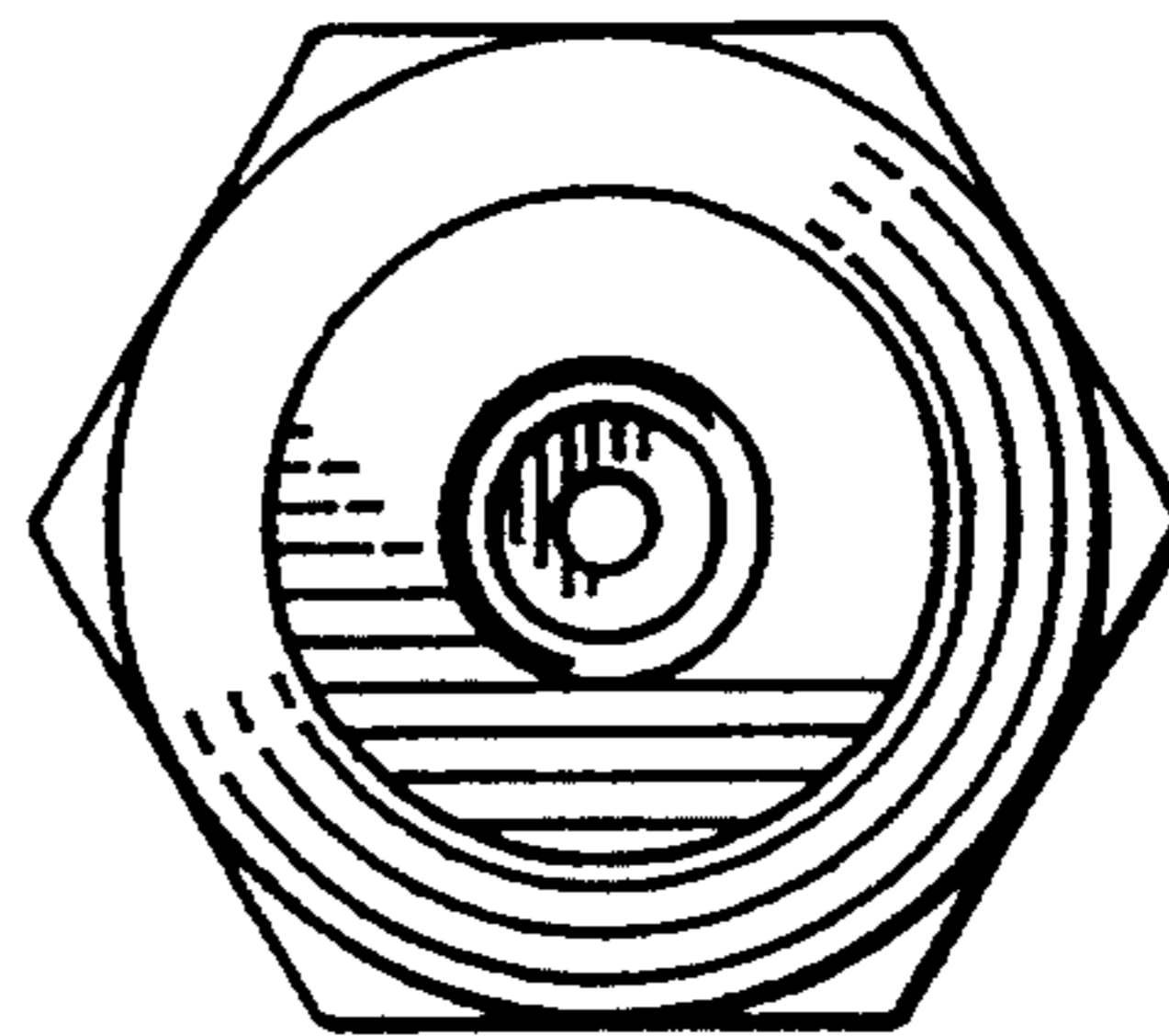
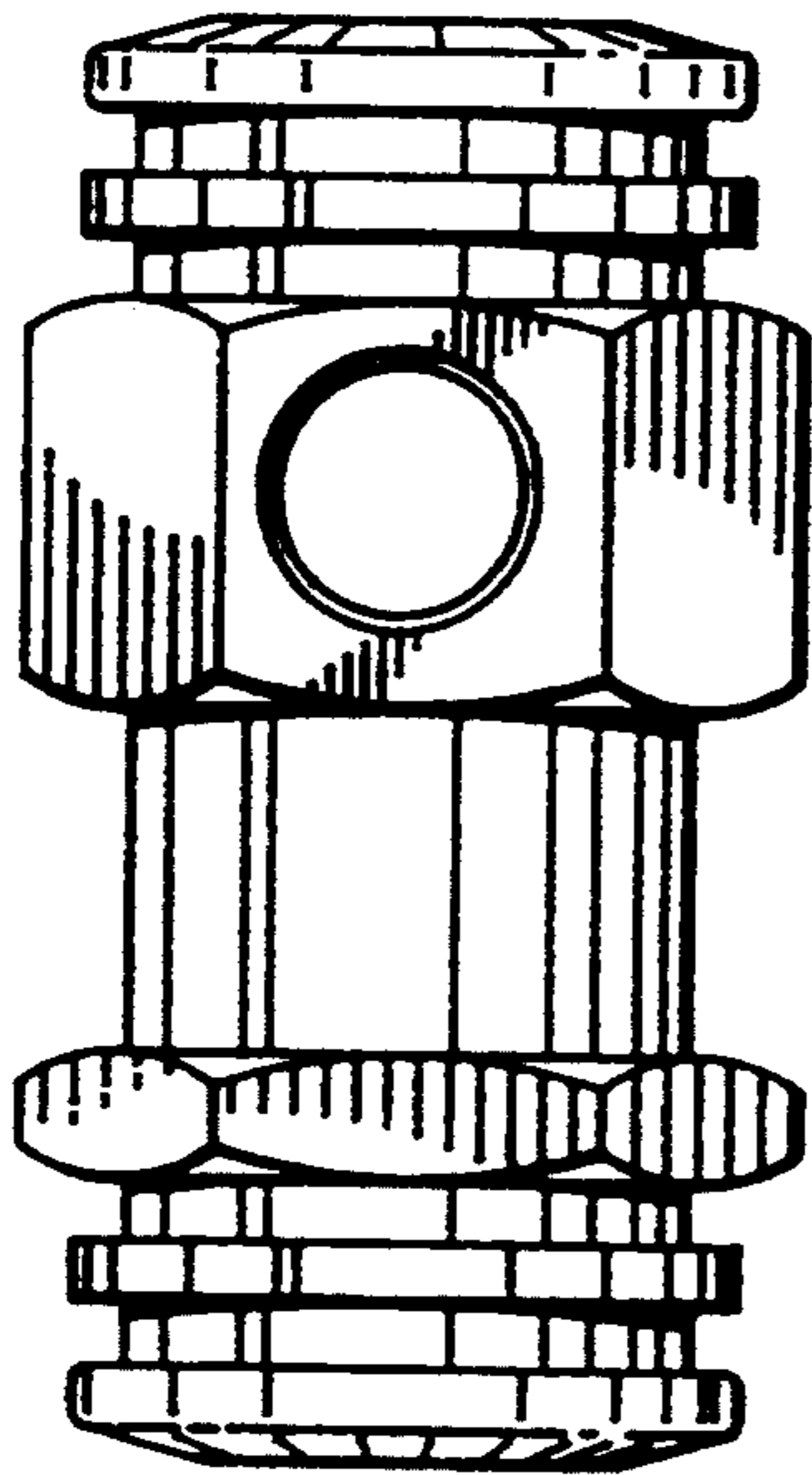
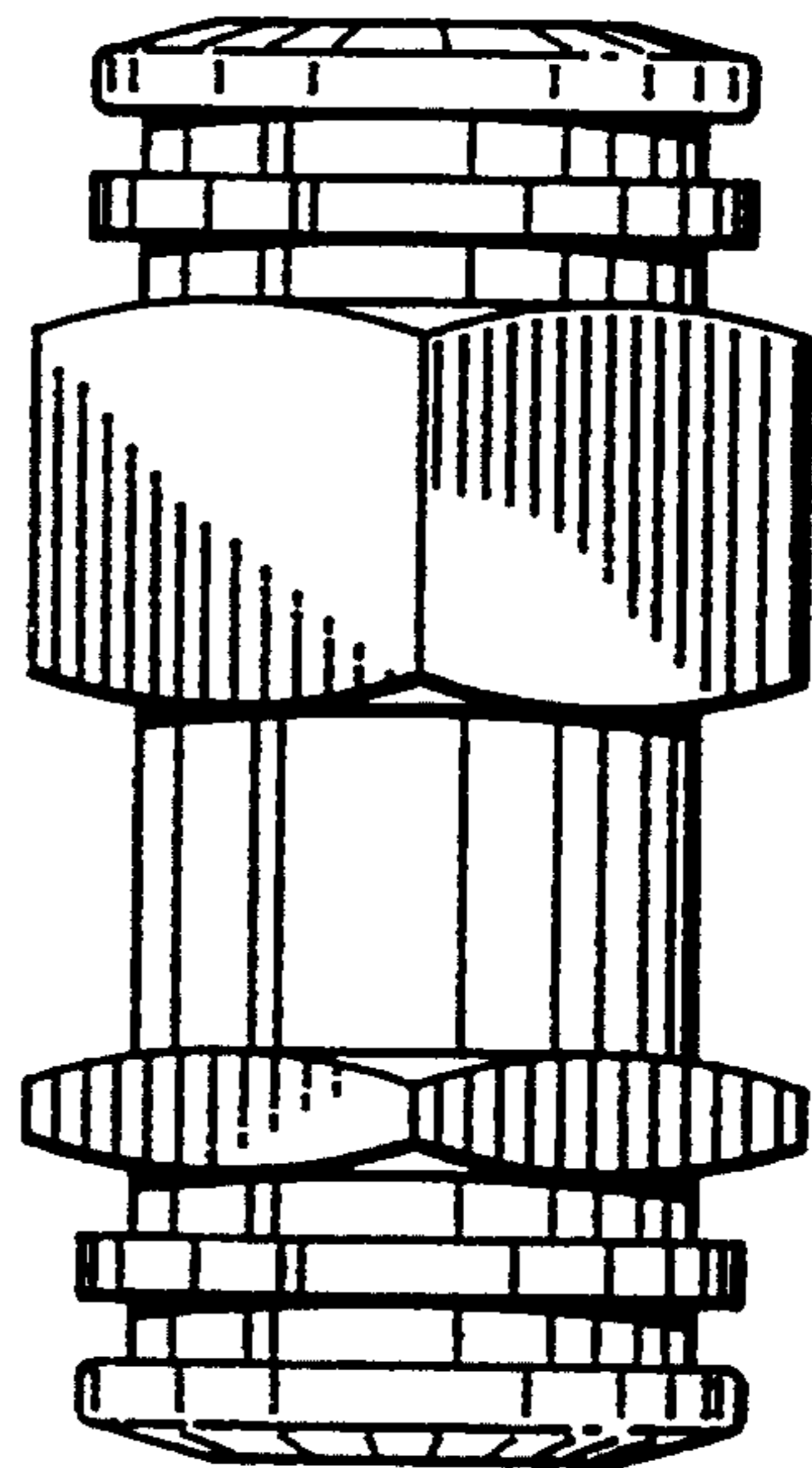


Fig. 5



6



7