



US00D349324S

# United States Patent [19]

[11] Patent Number: **Des. 349,324**

**Roberts et al.**

[45] Date of Patent: **\*\* Aug. 2, 1994**

[54] **BAITCAST REEL**

[75] Inventors: **Dennis E. Roberts**, Owasso, Okla.;  
**Richard J. Robbins**, Derby, Kans.;  
**Hyunkyu Kim**, Tulsa, Okla.

[73] Assignee: **Zebco Corporation**, Tulsa, Okla.

[\*] Notice: The portion of the term of this patent subsequent to Jul. 26, 2008 has been disclaimed.

[\*\*] Term: **14 Years**

[21] Appl. No.: **797,110**

[22] Filed: **Nov. 25, 1991**

[52] U.S. Cl. .... **D22/140**

[58] Field of Search ..... 242/223, 224, 257-262,  
242/279, 238, 264, 268, 311, 312, 288; D22/140

[56] **References Cited**

**U.S. PATENT DOCUMENTS**

D. 299,511 1/1989 Kameda et al. .... D22/140

D. 299,848 2/1989 Hiraishi et al. .... D22/140  
D. 308,406 6/1990 Robbins ..... D22/140  
4,544,111 10/1985 Nakajima ..... 242/288  
4,940,194 7/1990 Young ..... 242/288

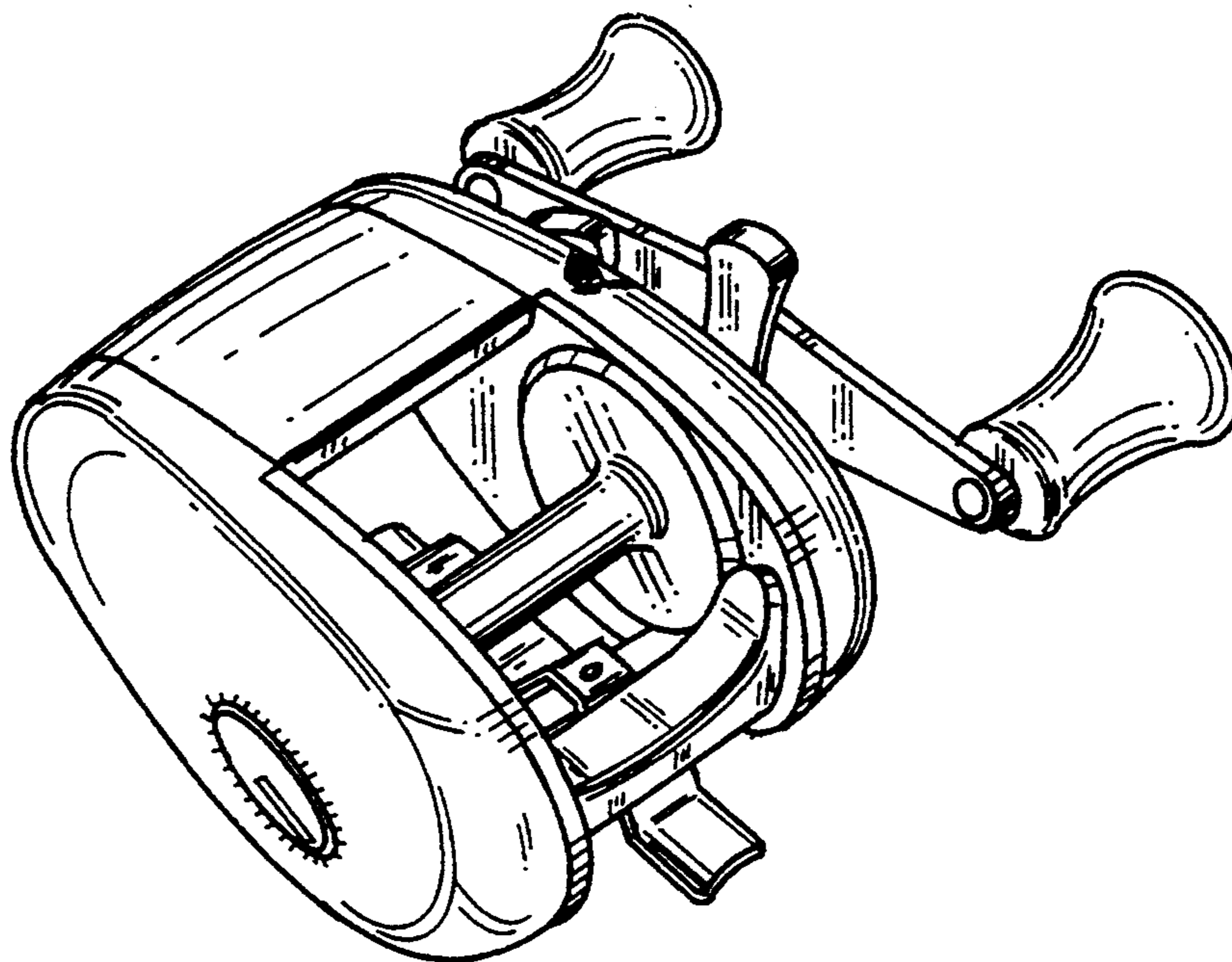
*Primary Examiner*—A. Hugo Word  
*Assistant Examiner*—Doris V. Coles  
*Attorney, Agent, or Firm*—Wood, Phillips, VanSanten,  
Hoffman & Ertel

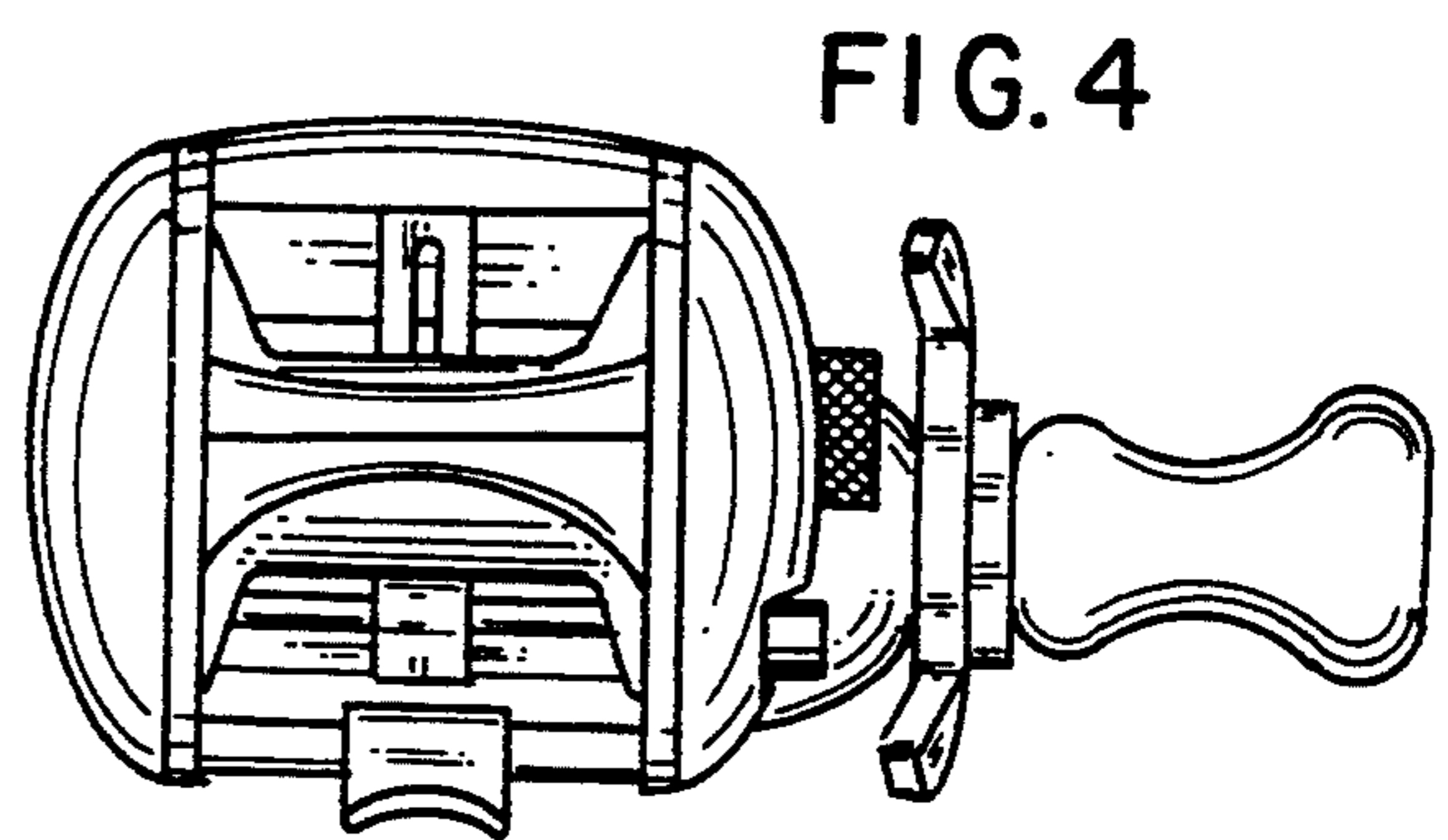
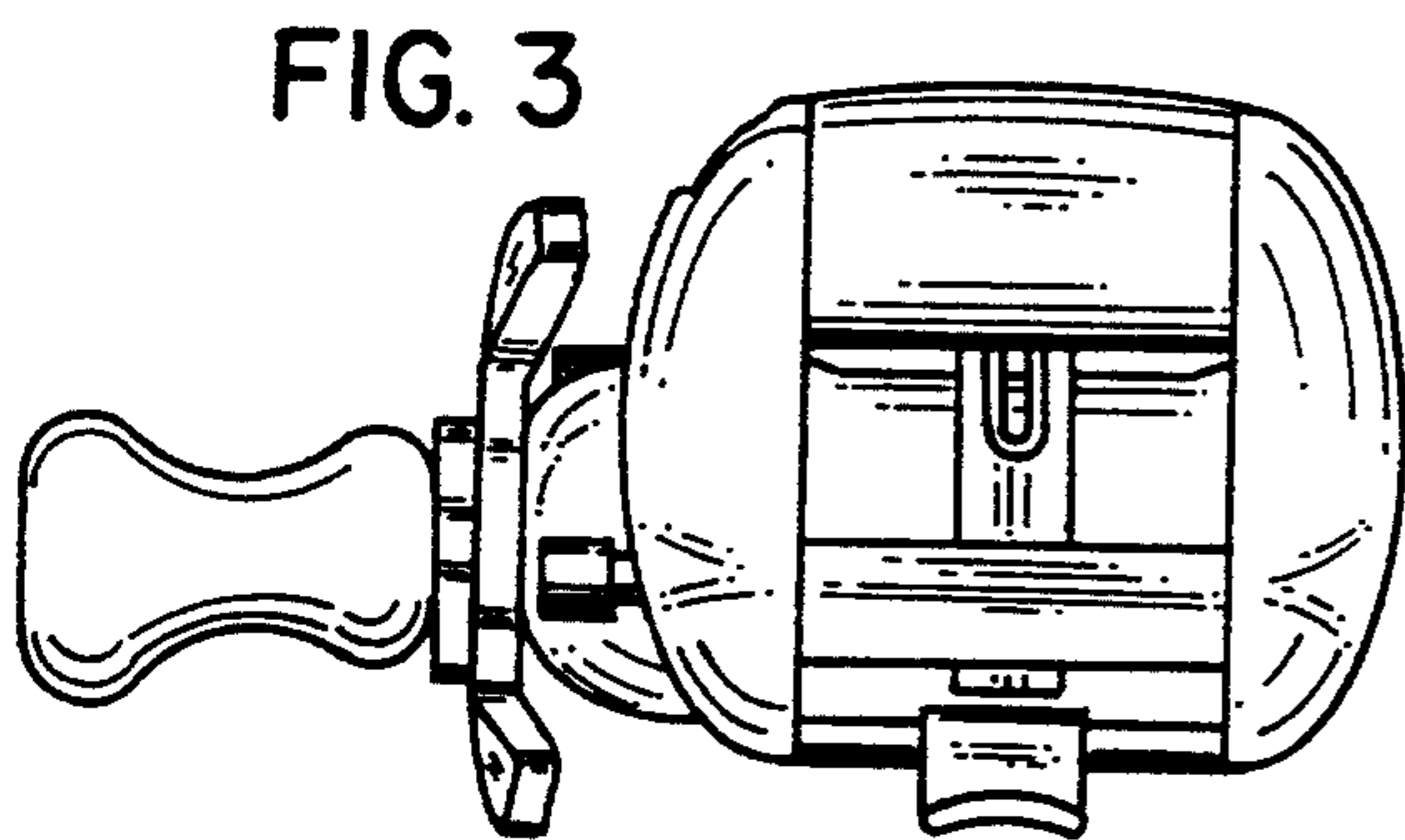
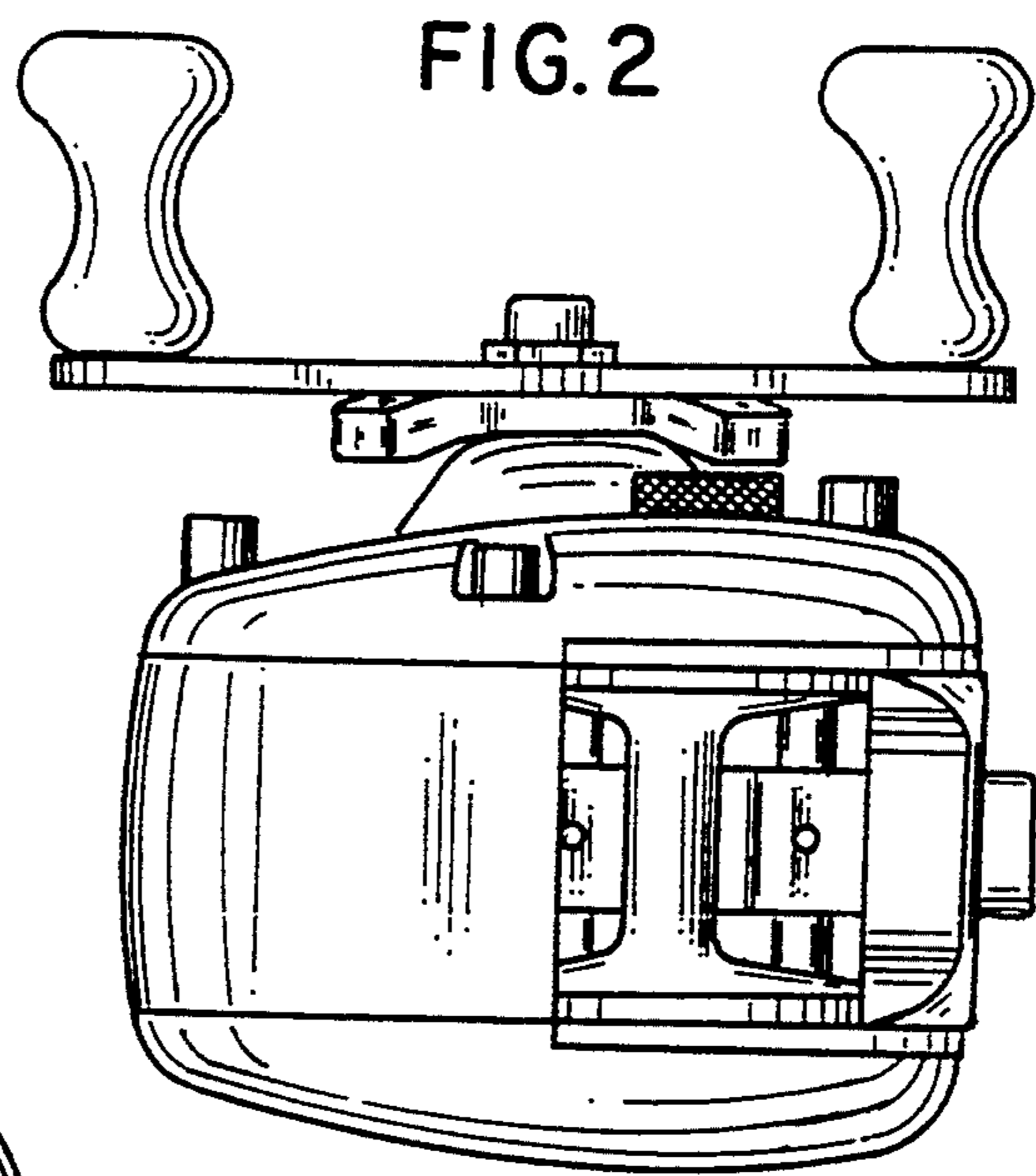
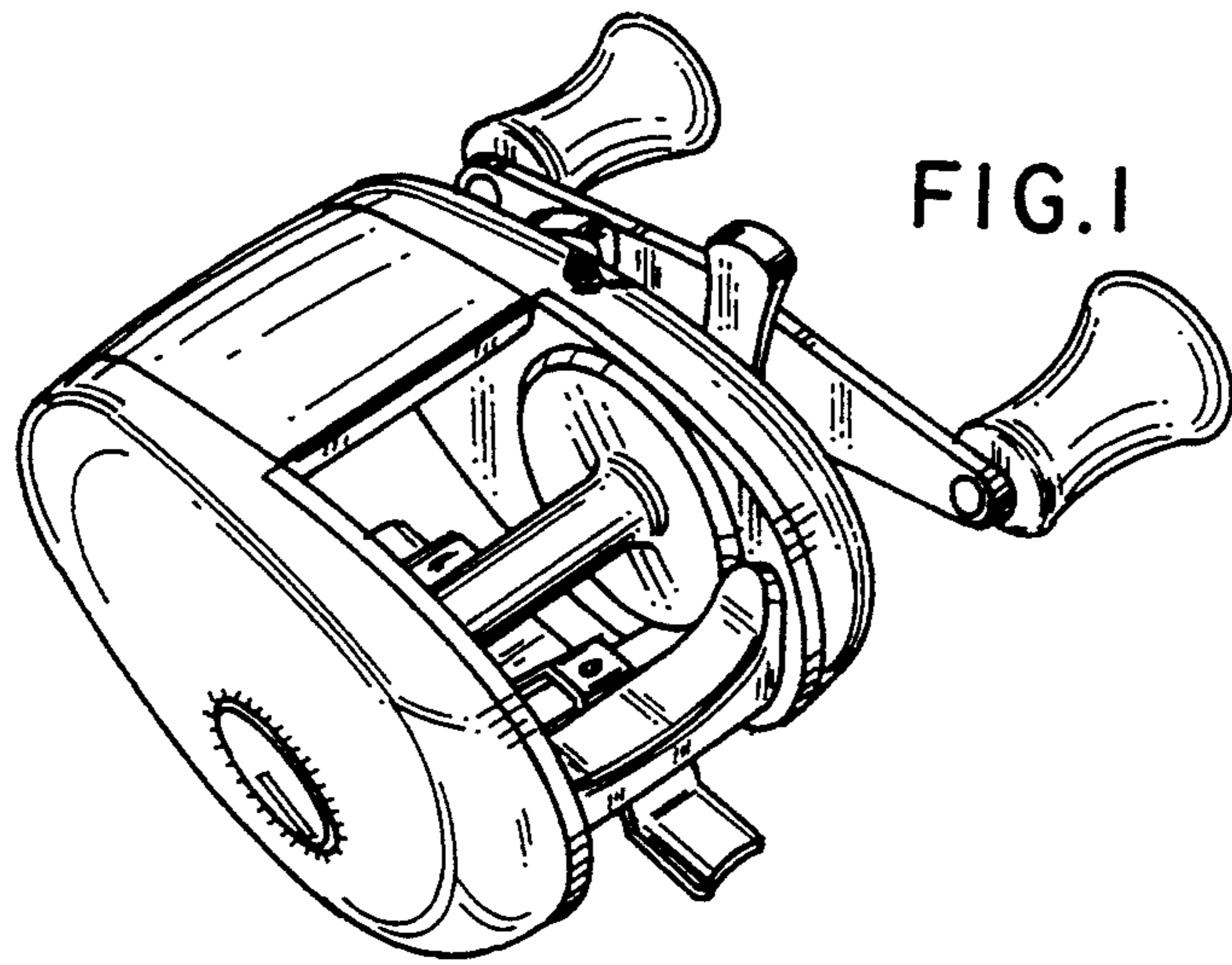
[57] **CLAIM**

The ornamental design for a baitcast reel, as shown and described.

**DESCRIPTION**

FIG. 1 is a front, top and right side perspective view of our baitcast reel design;  
FIG. 2 is a plan view thereof;  
FIG. 3 is a front elevation view thereof;  
FIG. 4 is a rear elevation view thereof;  
FIG. 5 is a right side elevation view thereof;  
FIG. 6 is a left side elevation view thereof; and,  
FIG. 7 is a bottom view thereof.





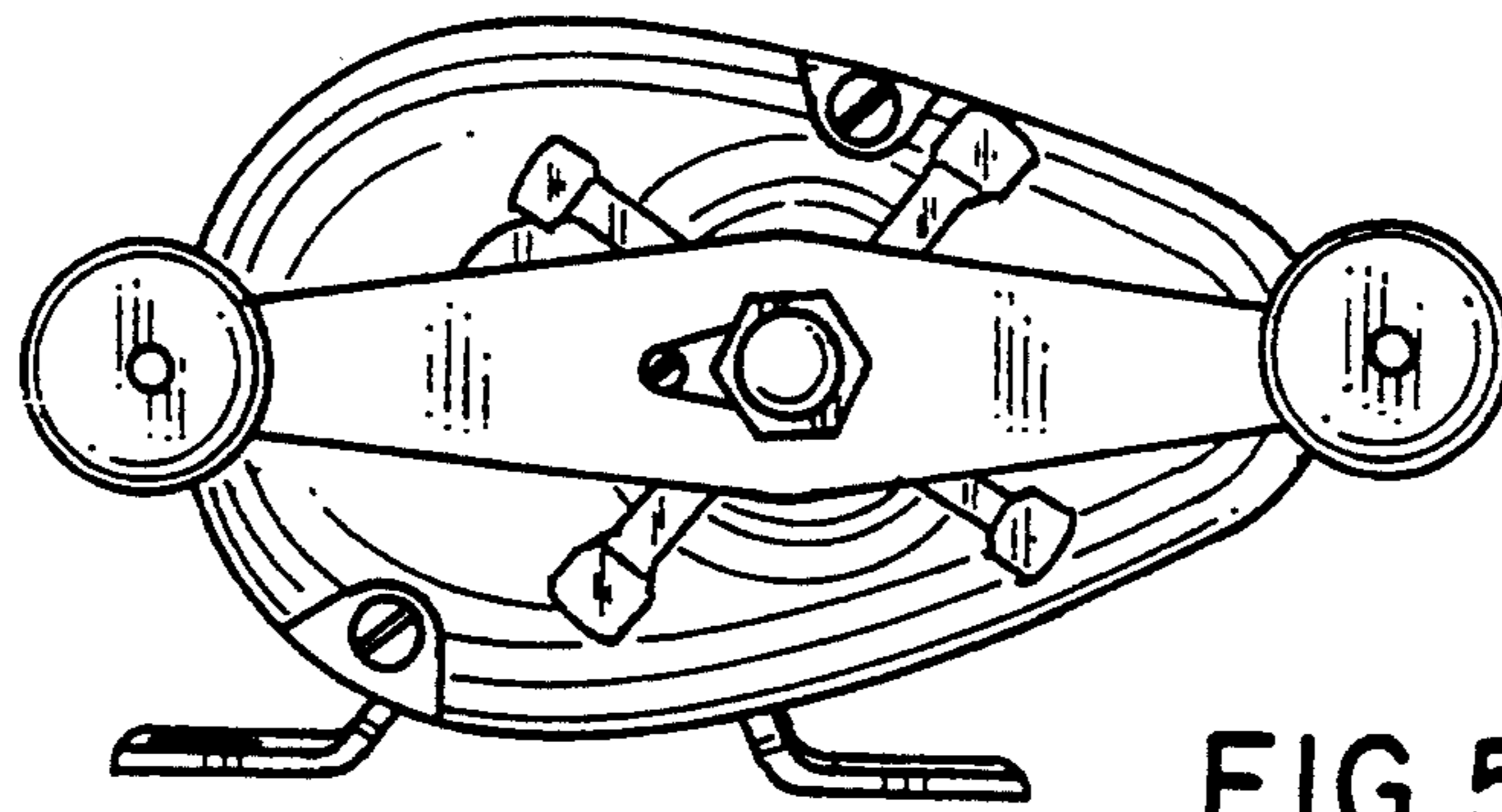


FIG. 5

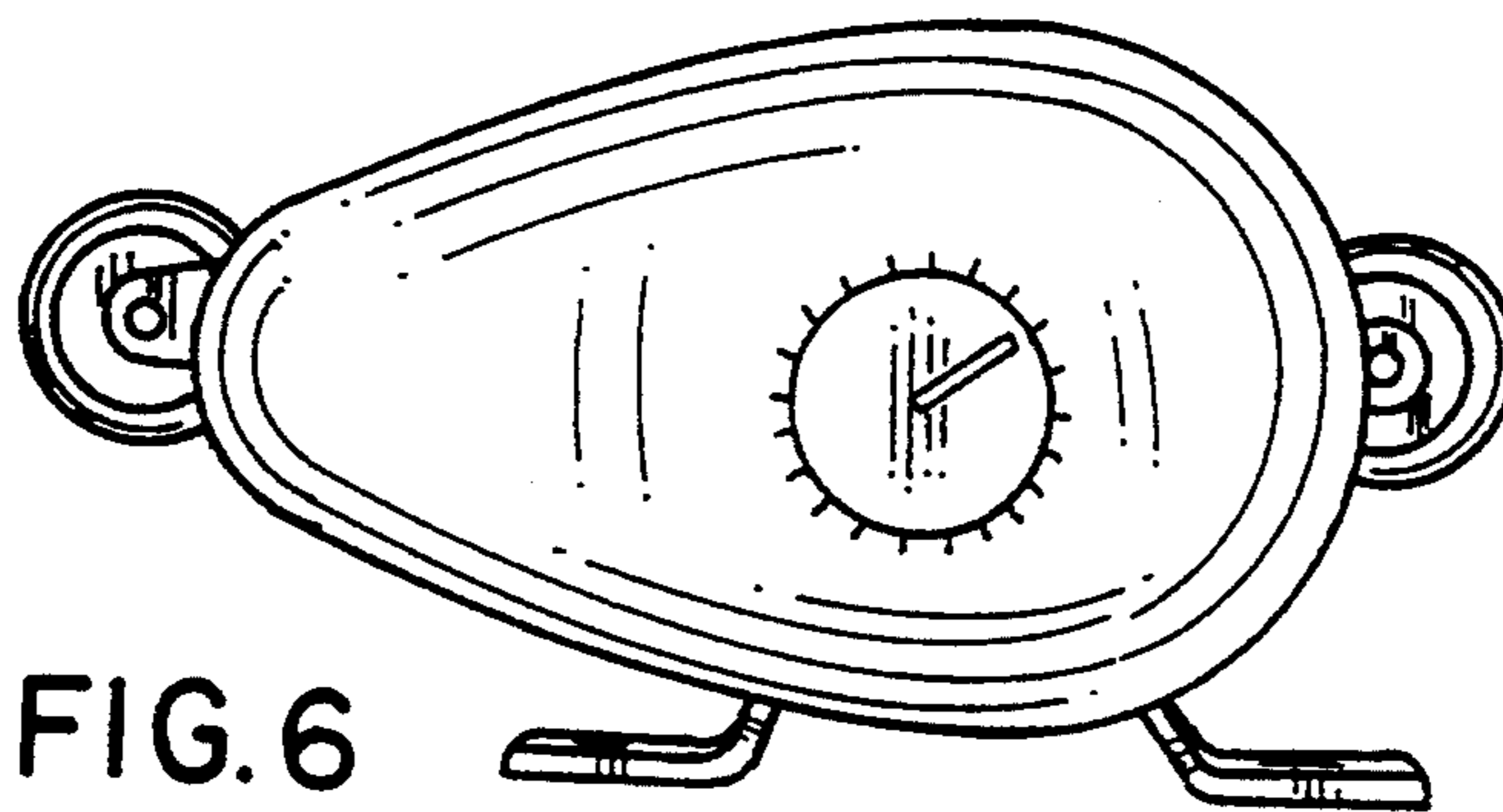


FIG. 6

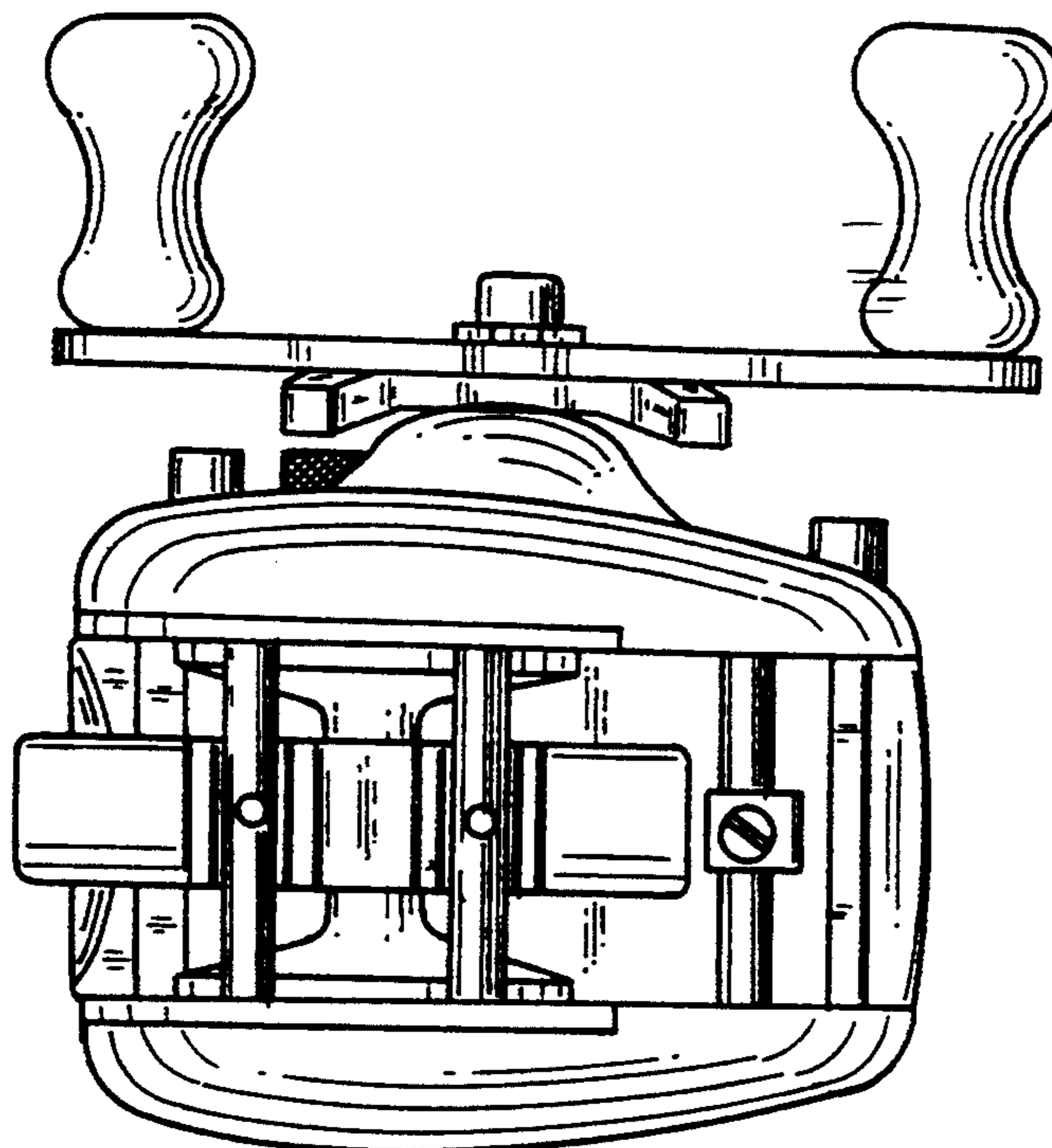


FIG. 7