



US00D349321S

United States Patent [19]

[11] Patent Number: Des. 349,321

Eversole

[45] Date of Patent: ** Aug. 2, 1994

[54] GOLF PUTTING RECEPTACLE

[76] Inventor: Anthony C. Eversole, 3131 S. Louisville, Tulsa, Okla. 74135

[**] Term: 14 Years

[21] Appl. No.: 591,497

[22] Filed: Oct. 1, 1990

[52] U.S. Cl. D21/234

[58] Field of Search 273/177 R, 178 R; D21/8, 234

[56] References Cited

U.S. PATENT DOCUMENTS

3,114,556	12/1963	Miller	273/178 R
3,610,631	10/1971	Mulherin	273/178 R
5,120,063	6/1992	Birchler et al.	273/178 R

OTHER PUBLICATIONS

Golf Digest, Nov. 1982, p. 88, center, "Puttacup".

Primary Examiner—Melvin B. Feifer

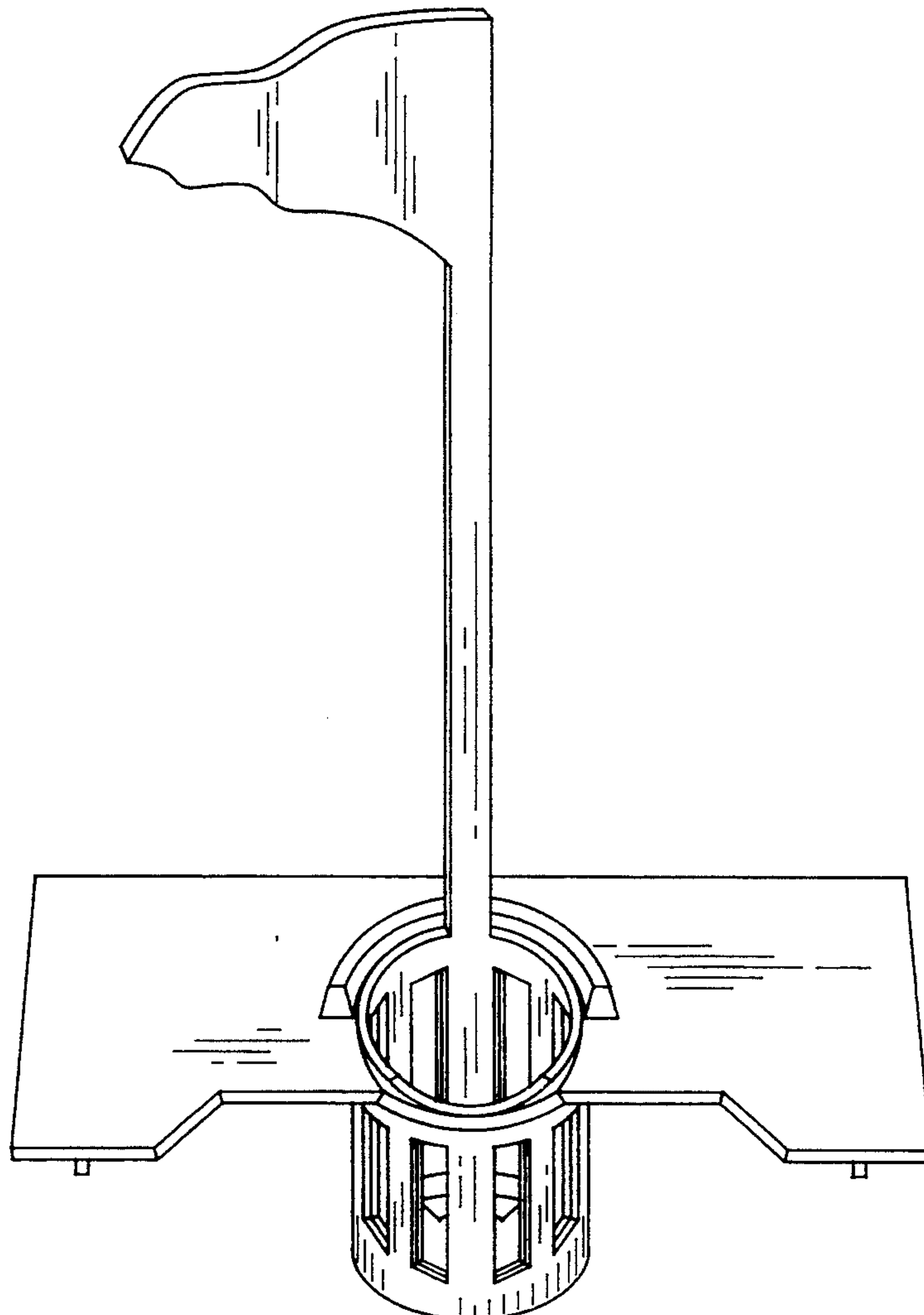
Attorney, Agent, or Firm—Head & Johnson

[57] CLAIM

The ornamental design for a golf putting receptacle, as shown and described.

DESCRIPTION

FIG. 1 is a front elevational view of a golf putting receptacle showing my new design;
 FIG. 2 is a front elevational view of the base portion of a golf putting receptacle showing my new design;
 FIG. 3 is a top view thereof;
 FIG. 4 is a bottom view thereof;
 FIG. 5 is a left side view of the base portion thereof;
 FIG. 6 is a front elevational view of the nesting portion of a golf putting receptacle which may be received in the base portion;
 FIG. 7 is a bottom view of the nesting portion thereof; and,
 FIG. 8 is a left side elevational view of the nesting portion thereof.
 The base and upper portion are shown separately for purposes of clarity.
 The left side elevational view (not shown) would be identical to the right side elevational view.



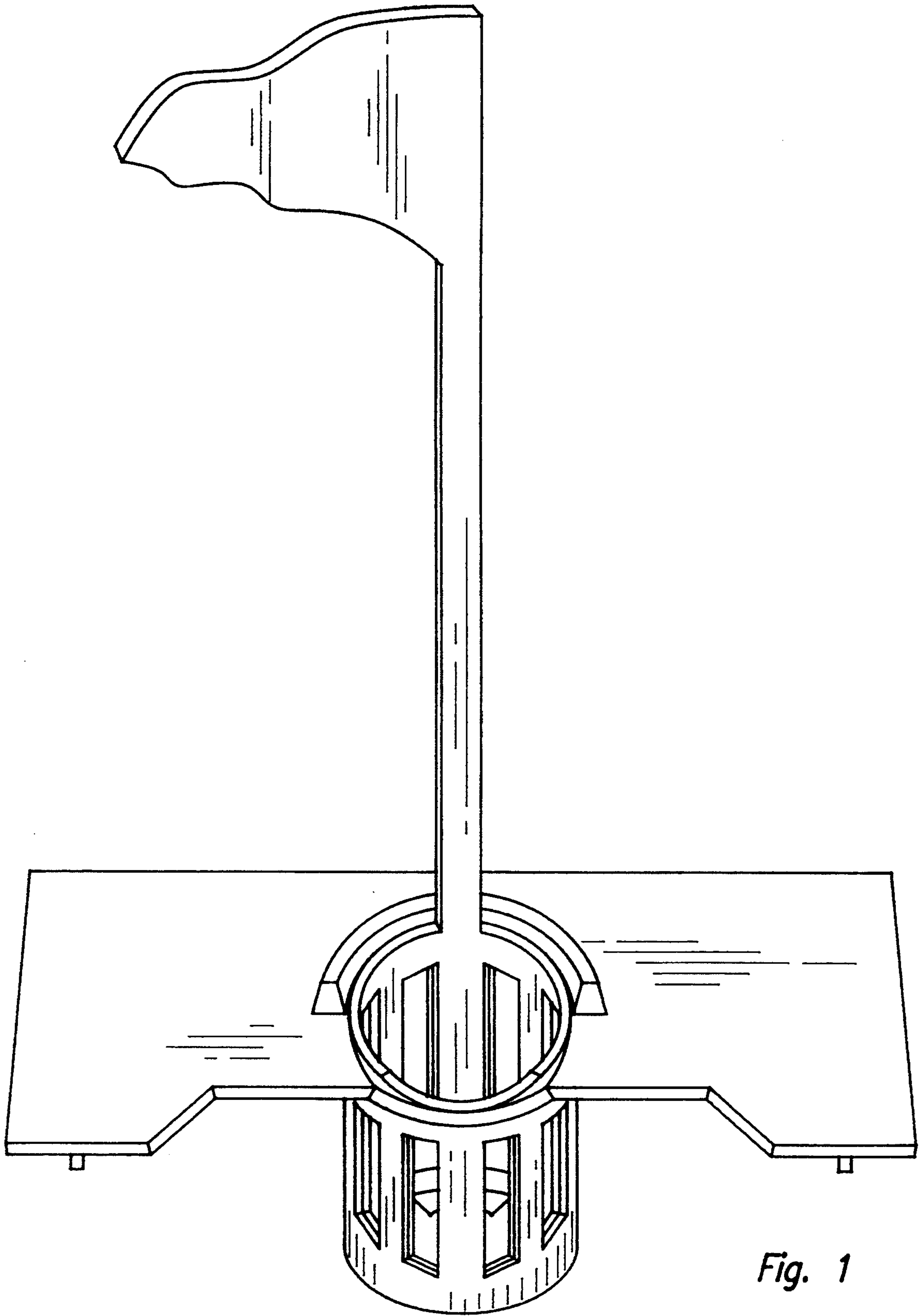


Fig. 1

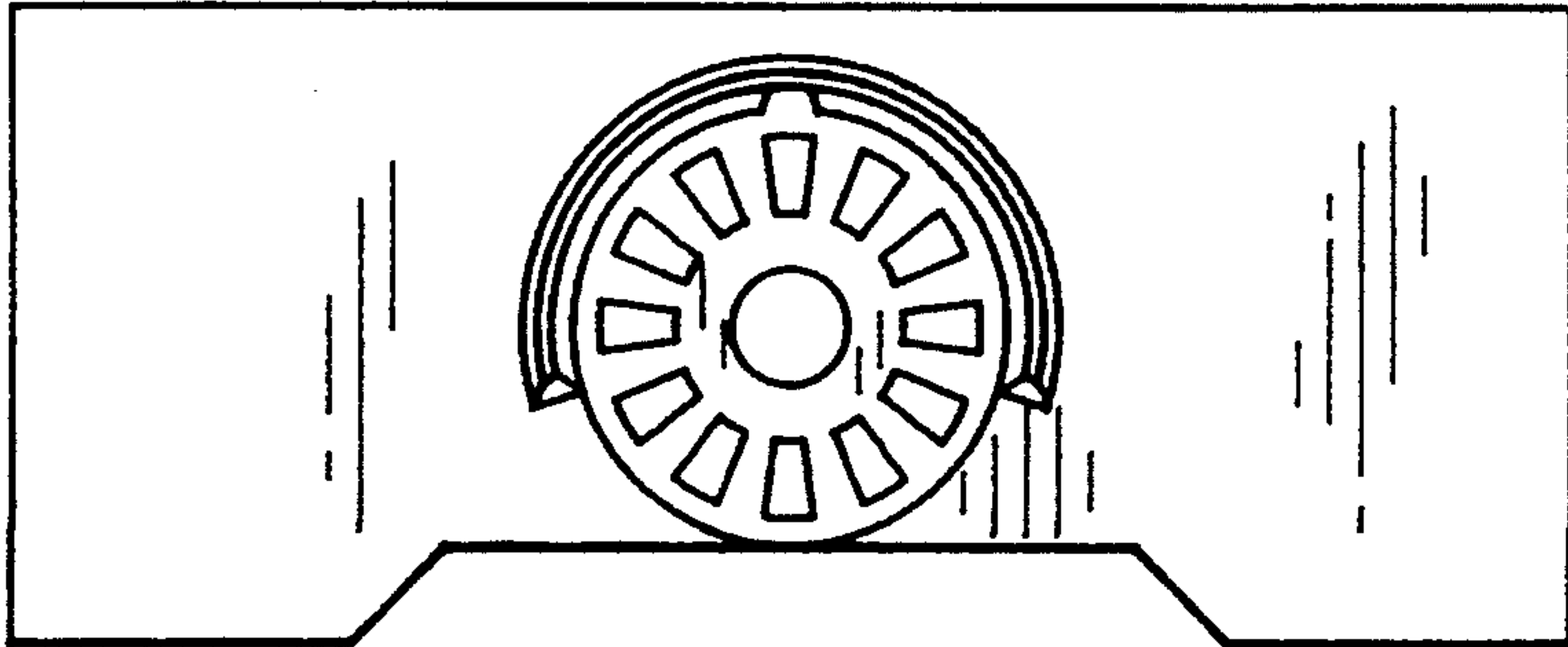


Fig. 3

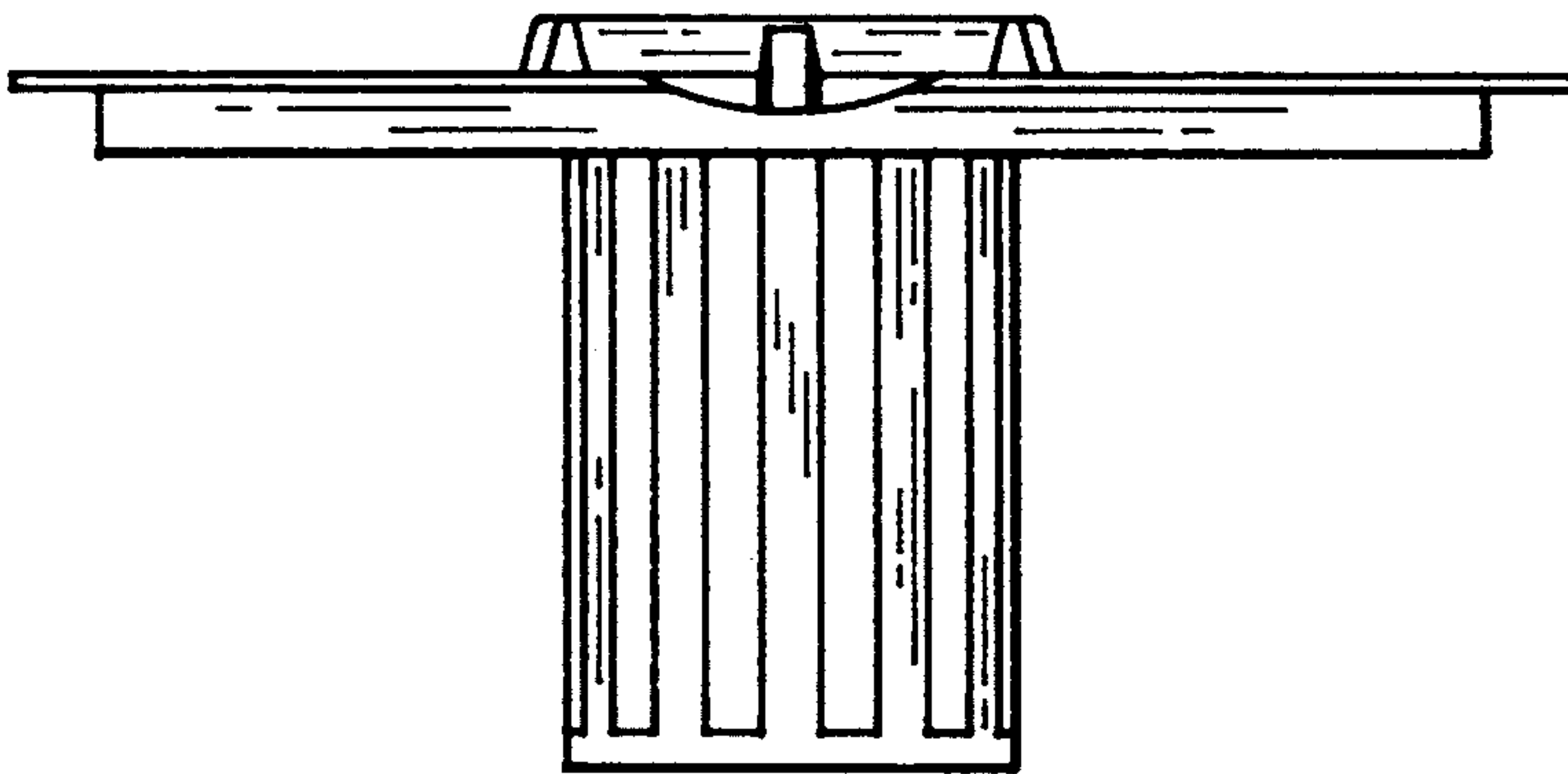


Fig. 2

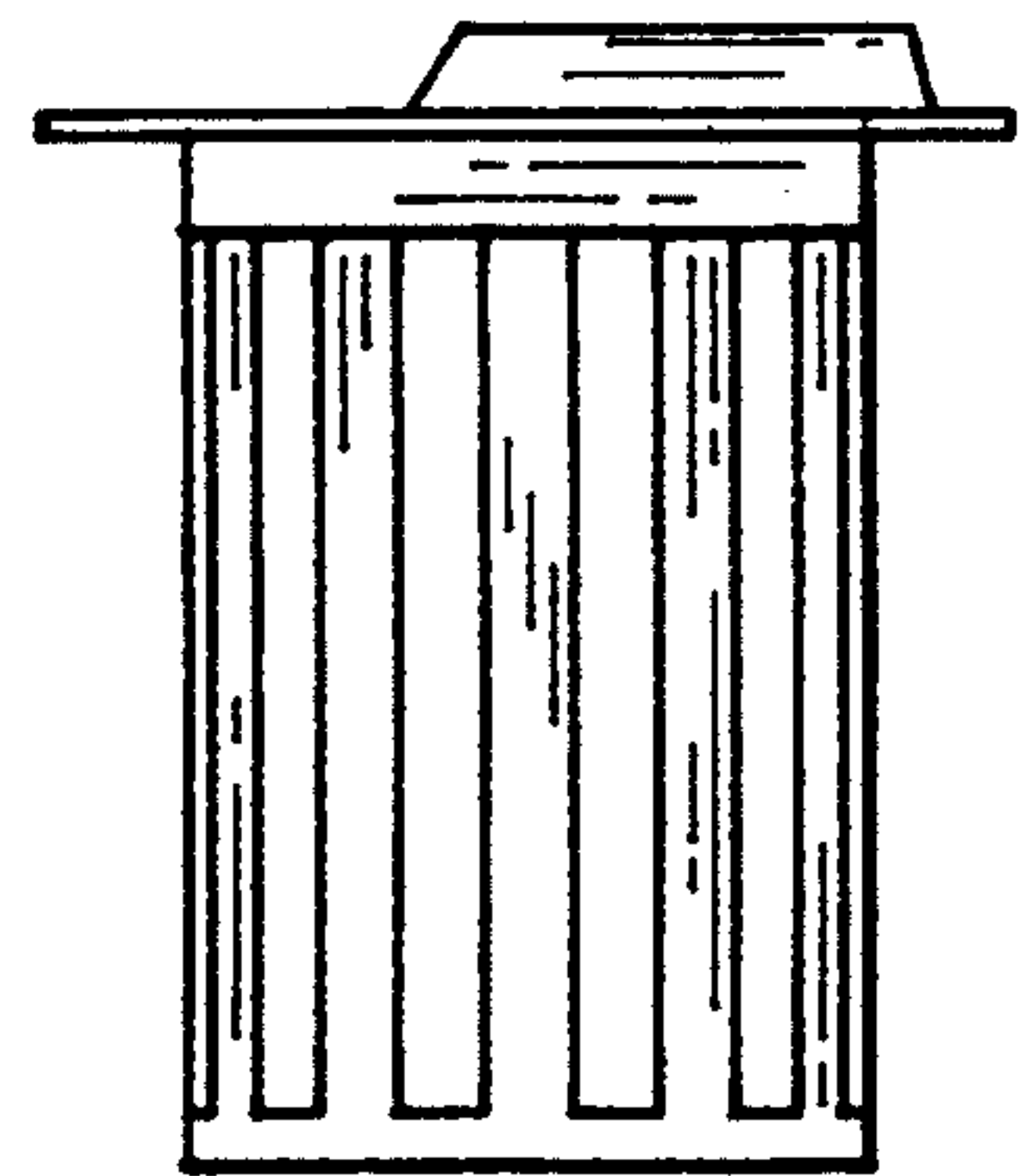


Fig. 5

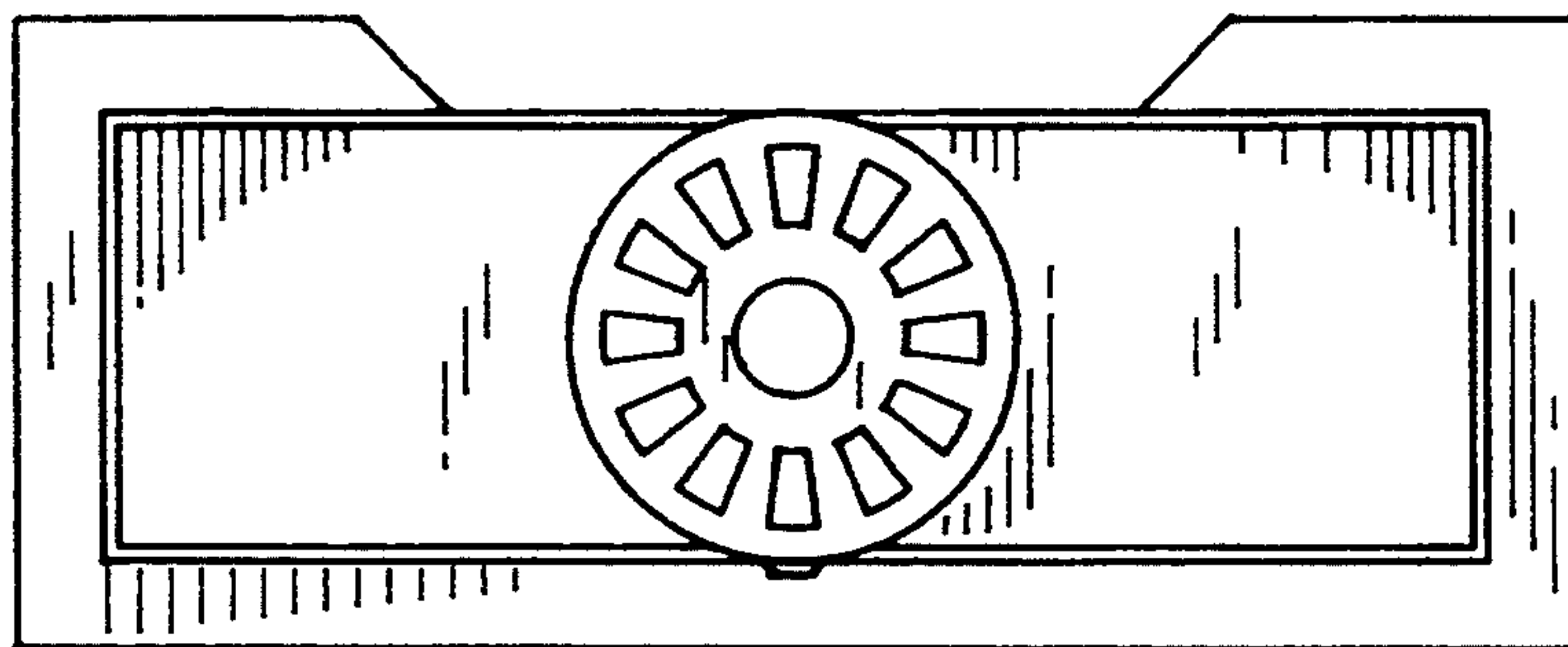


Fig. 4

Fig. 6

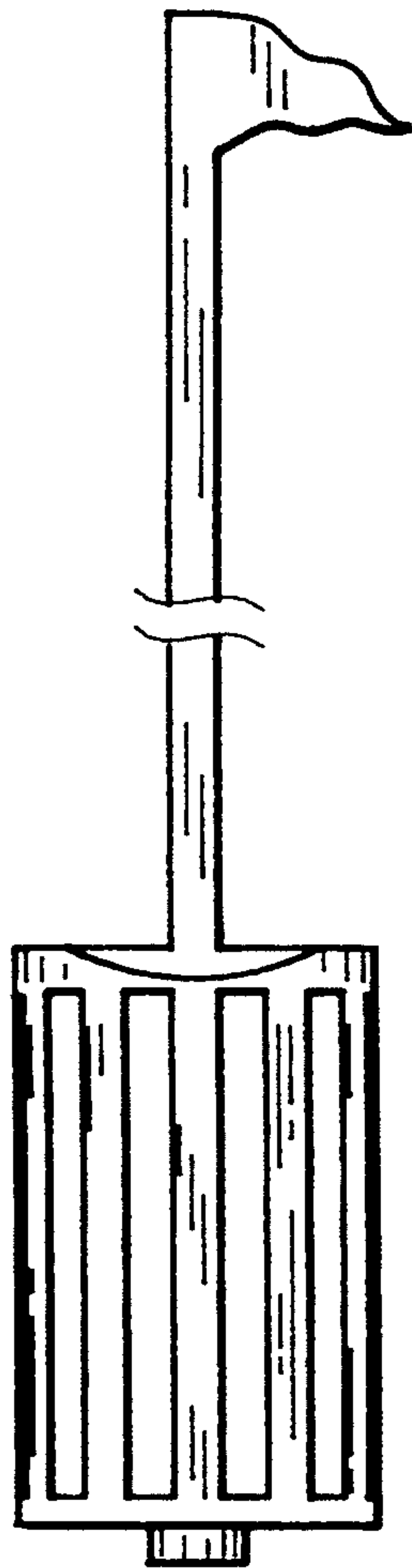


Fig. 8

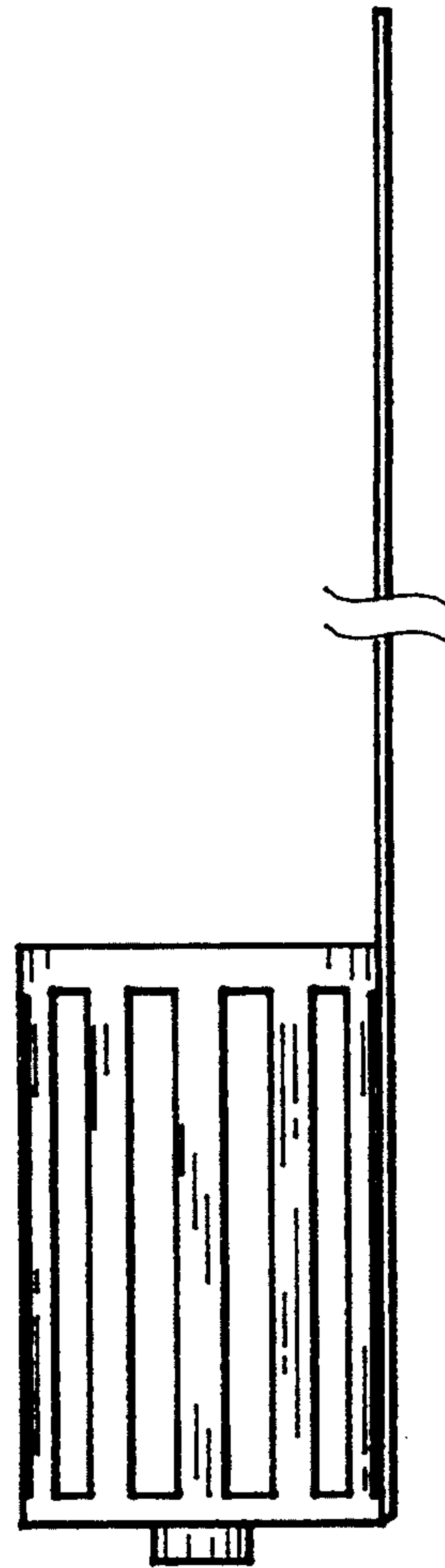


Fig. 7

