



US00D349320S

United States Patent [19]

[11] Patent Number: **Des. 349,320**

Hagen

[45] Date of Patent: **** Aug. 2, 1994**

[54] **BOWLING LANE RETURN SHROUD AND RAIL**

D. 236,844 9/1975 Meade D21/233
985,561 2/1911 Wehner 473/116
2,796,261 6/1957 Turner 473/110

[75] Inventor: **Robert S. Hagen, Orlando, Fla.**

[73] Assignee: **Heddon Bowling Corporation, Lake Hamilton, Fla.**

Primary Examiner—Prabhakar G. Deshmukh
Attorney, Agent, or Firm—Allen, Dyer, Doppelt, Franjola & Milbrath

[**] Term: **14 Years**

[57] **CLAIM**

[21] Appl. No.: **5,833**

The ornamental design for a bowling lane return shroud and rail, as shown and described.

[22] Filed: **Mar. 12, 1993**

[52] U.S. Cl. **D21/233**

[58] Field of Search 473/116, 115, 117, 54, 473/106, 114, 119, 110; D21/233

DESCRIPTION

FIG. 1 is a perspective view of a bowling lane return shroud and rail showing my new design;

FIG. 2 is a top plan view thereof;

FIG. 3 is a side view thereof; the opposite side being a mirror image thereof;

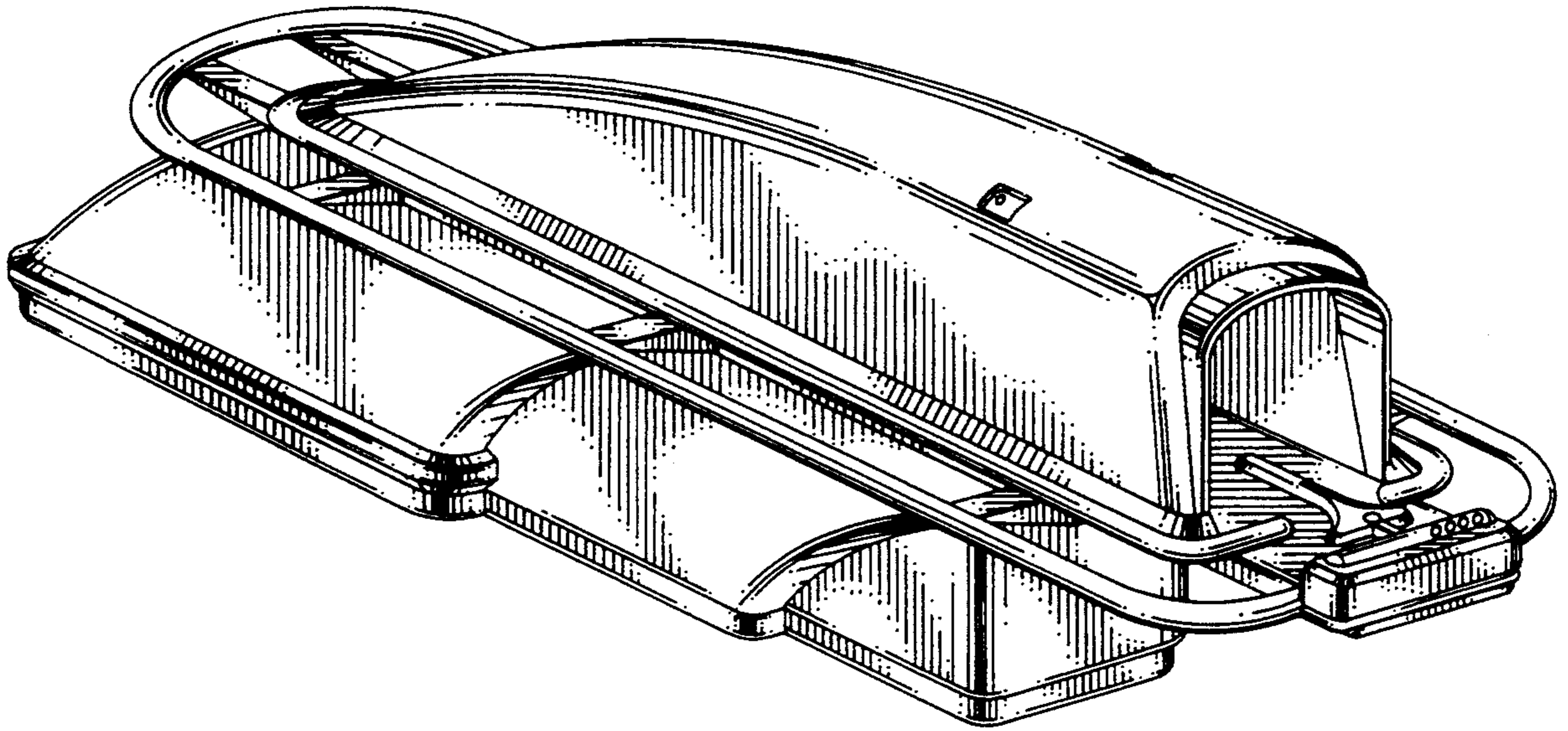
FIG. 4 is a front elevational view thereof; and,

FIG. 5 is a rear elevational view thereof.

[56] **References Cited**

U.S. PATENT DOCUMENTS

D. 120,117 4/1940 Collins D21/233
D. 184,196 12/1958 Reineman D21/233



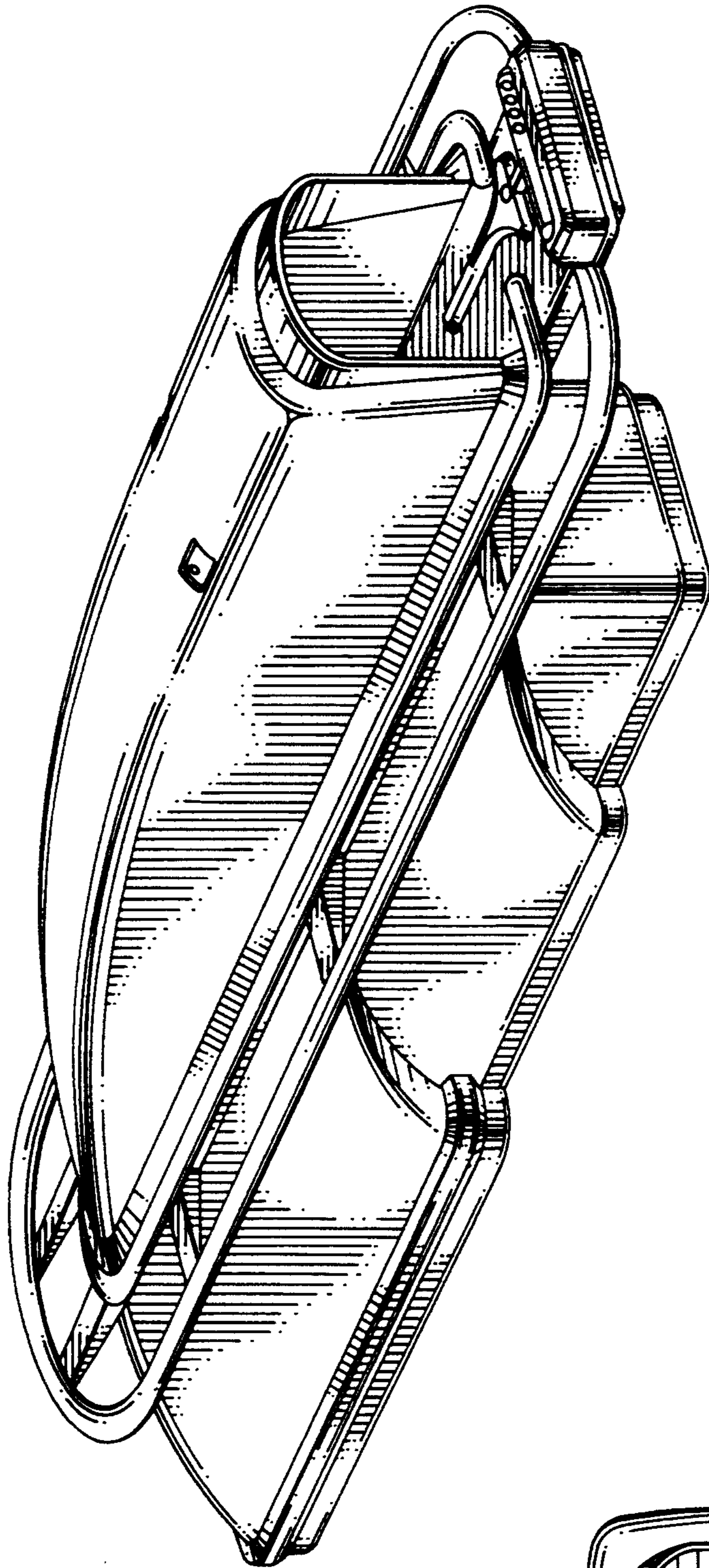


FIG 1

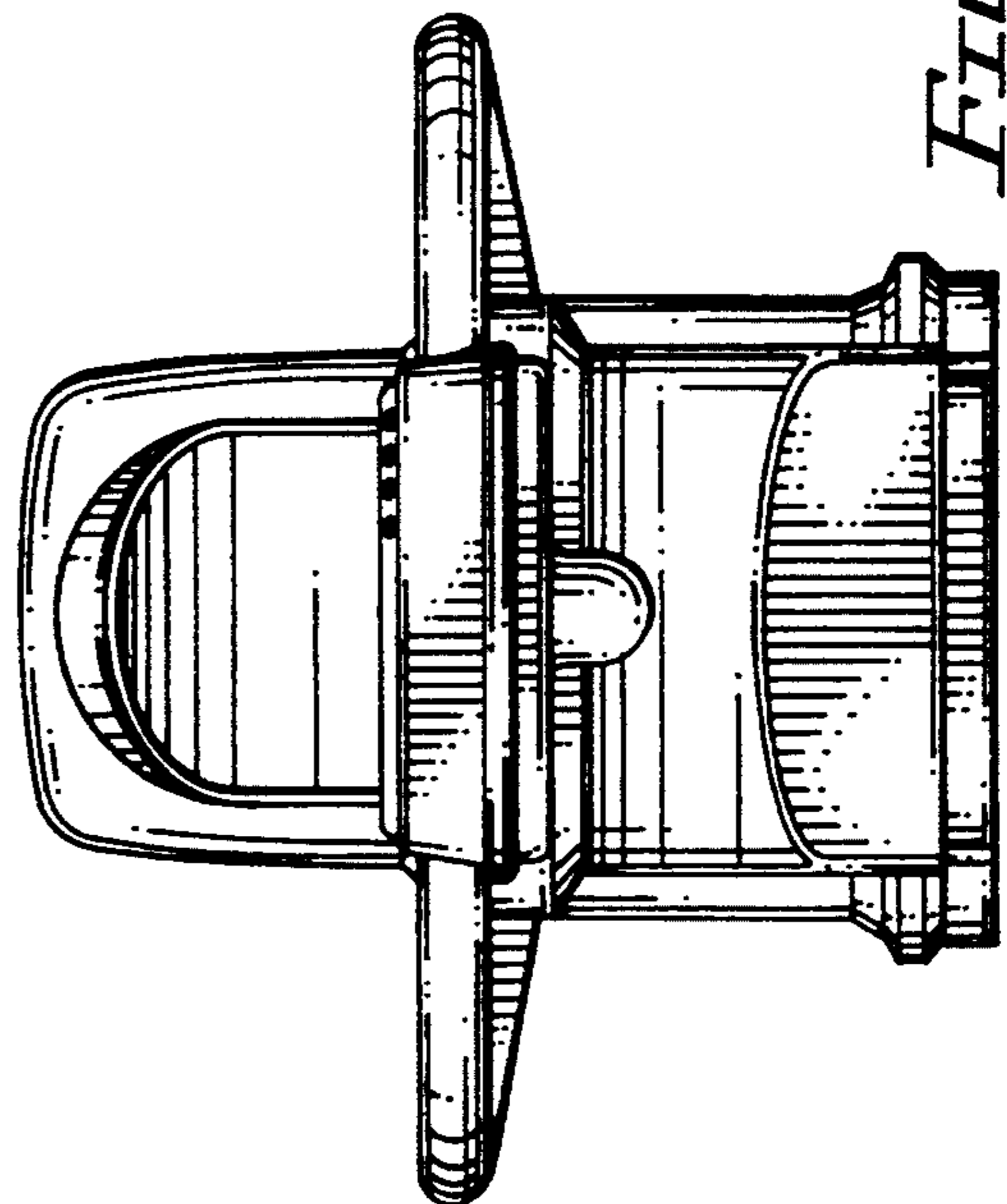


FIG 4

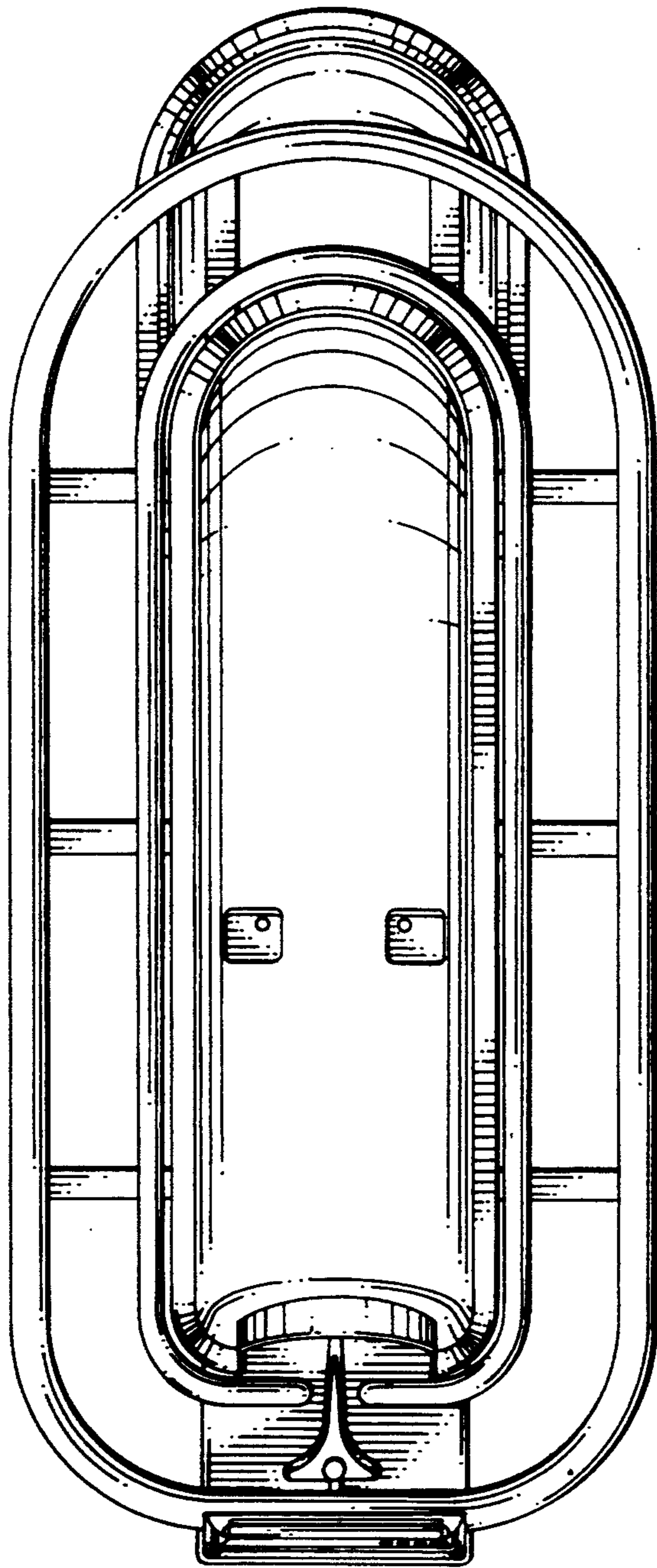


FIG. 2

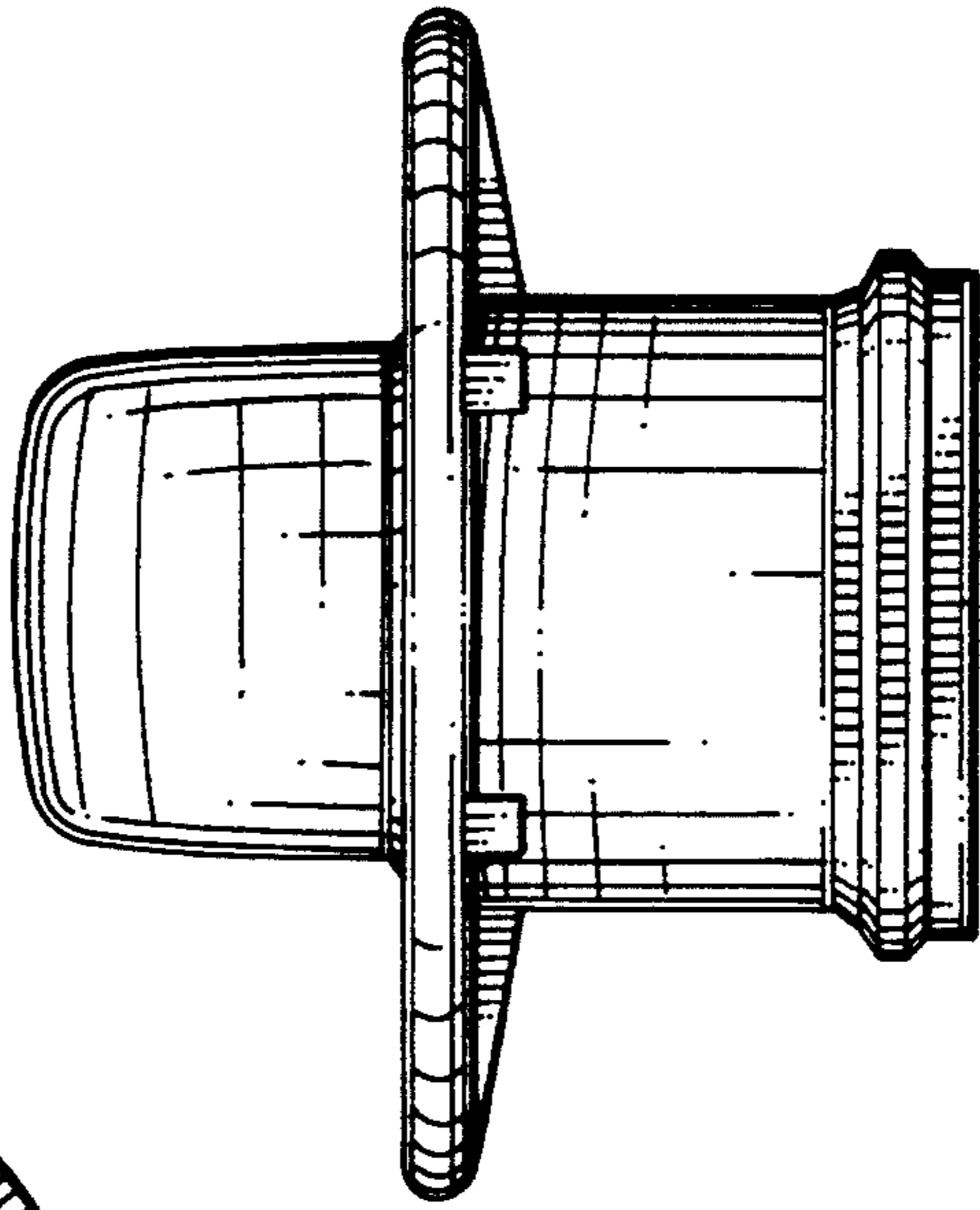


FIG. 5

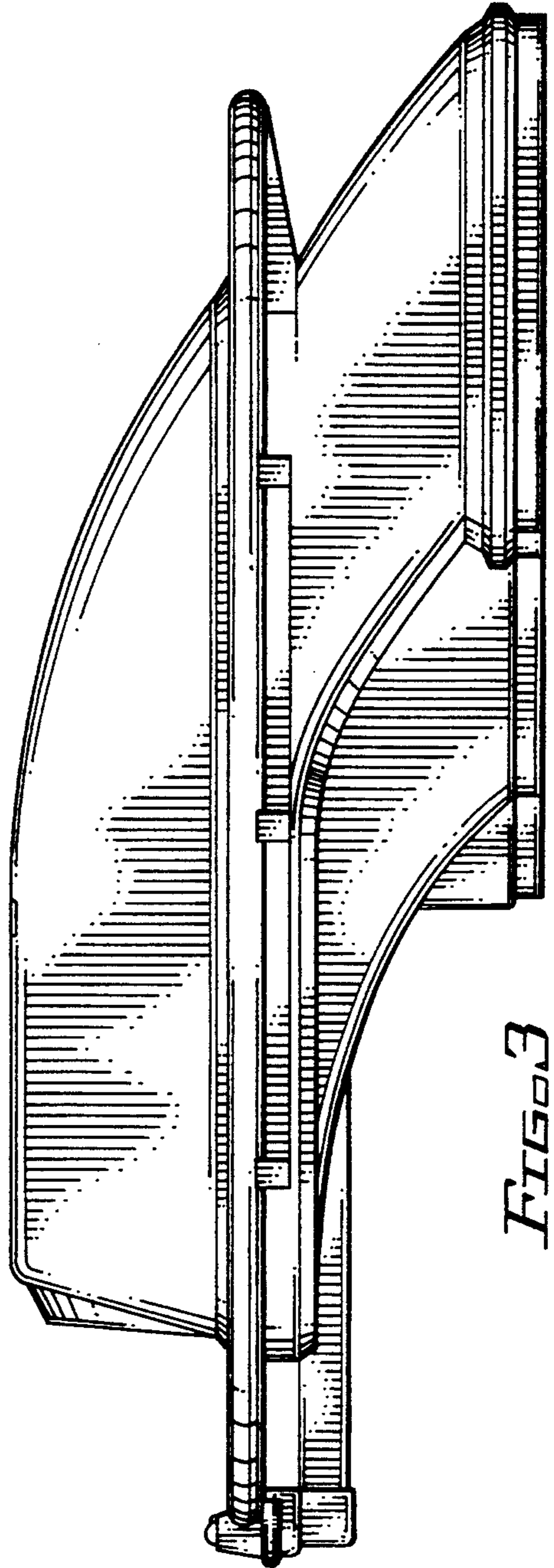


FIG. 3