



US00D349317S

United States Patent [19]

Offutt

[11] Patent Number: **Des. 349,317**

[45] Date of Patent: **** Aug. 2, 1994**

[54] **BASKETBALL GOAL**

[76] Inventor: **James C. Offutt**, P.O. Box 1194,
Peoria, Ill. 61653

[**] Term: **14 Years**

[21] Appl. No.: **927,945**

[22] Filed: **Aug. 10, 1992**

[52] U.S. Cl. **D21/201**

[58] Field of Search **D3/304; D21/201**

[56] **References Cited**

U.S. PATENT DOCUMENTS

Re. 20,898	10/1938	Schabinger .	
D. 158,631	5/1950	Woock	D3/304 X
D. 237,483	11/1975	Uitz	D3/304 X
D. 246,350	11/1977	Powell	D3/304
D. 279,039	5/1985	Walden	D3/304 X
2,085,206	6/1937	Holmdahl .	
2,192,430	3/1940	Branner .	
2,512,417	6/1950	Cook .	
2,517,463	8/1950	Cobb .	
3,814,359	6/1974	Powell .	
3,814,421	6/1974	Spier, Jr. .	

4,300,764 11/1981 Burke .
4,468,027 8/1984 Pangburn .
4,715,600 12/1987 Offutt .

FOREIGN PATENT DOCUMENTS

1313021 1/1962 France .

Primary Examiner—Melvin B. Feifer
Assistant Examiner—Cheri Cohen
Attorney, Agent, or Firm—McAndrews, Held & Malloy,
Ltd.

[57] CLAIM

The ornamental design for the basketball goal, as shown and described.

DESCRIPTION

FIG. 1 is a perspective view of the basketball goal showing my new design;
FIG. 2 is a top view of the basketball goal of FIG. 1;
FIG. 3 is a front view of the basketball goal of FIG. 1;
FIG. 4 is a side view of the basketball goal of FIG. 1;
FIG. 5 is a back view of the basketball goal of FIG. 1;
and,
FIG. 6 is a bottom view of the basketball goal of FIG. 1;

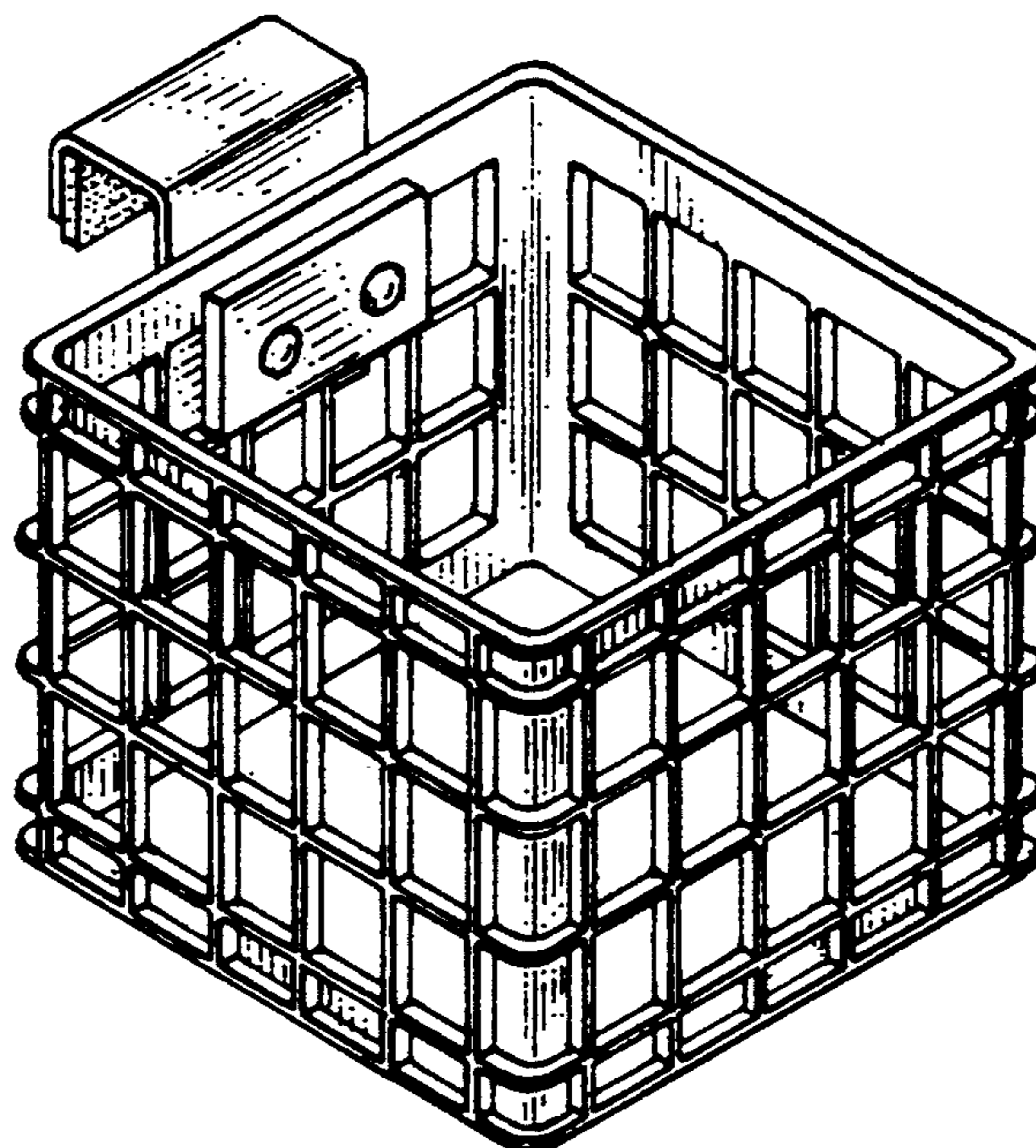


Fig. 1

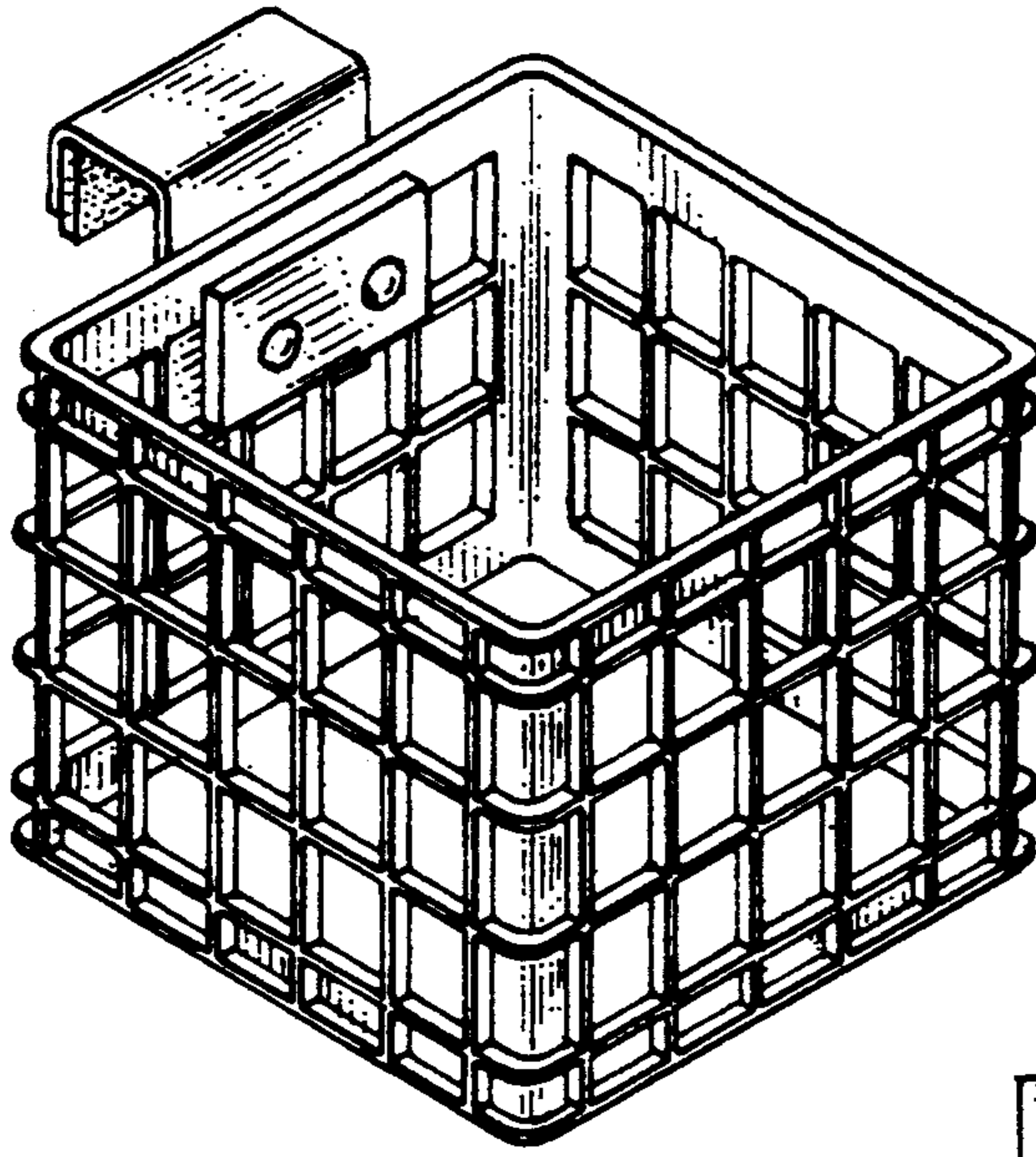


Fig. 2

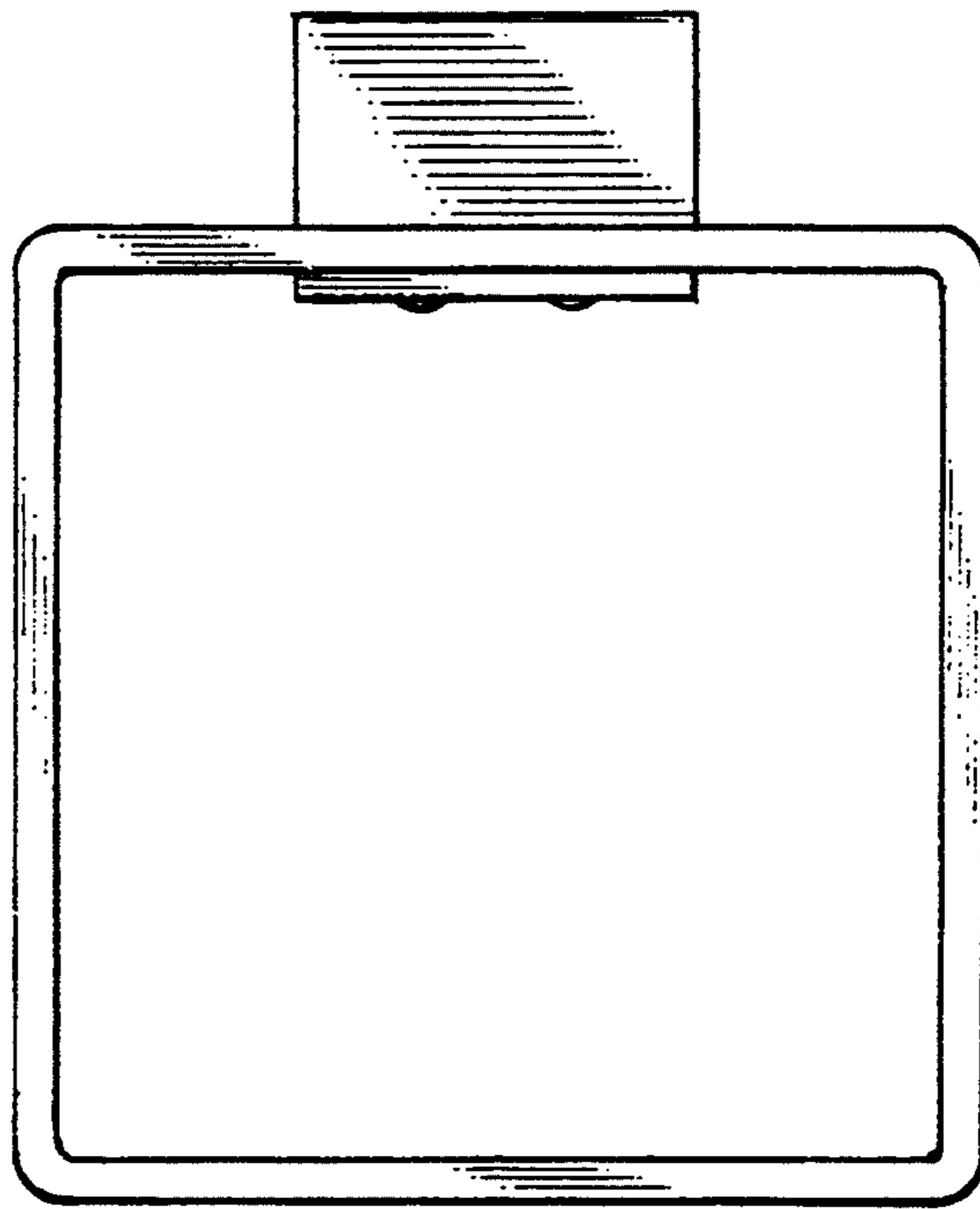


Fig. 3

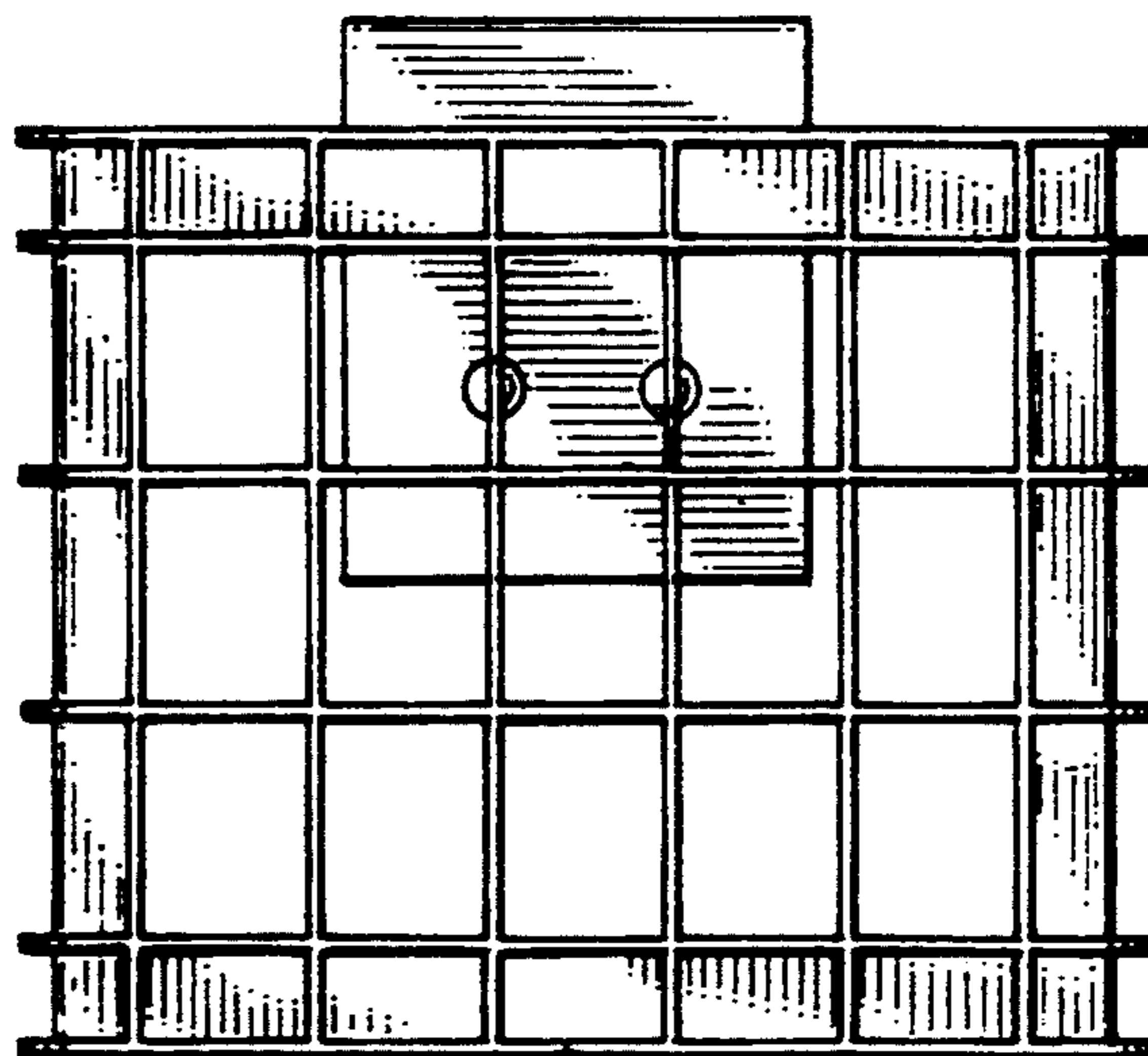


Fig. 4

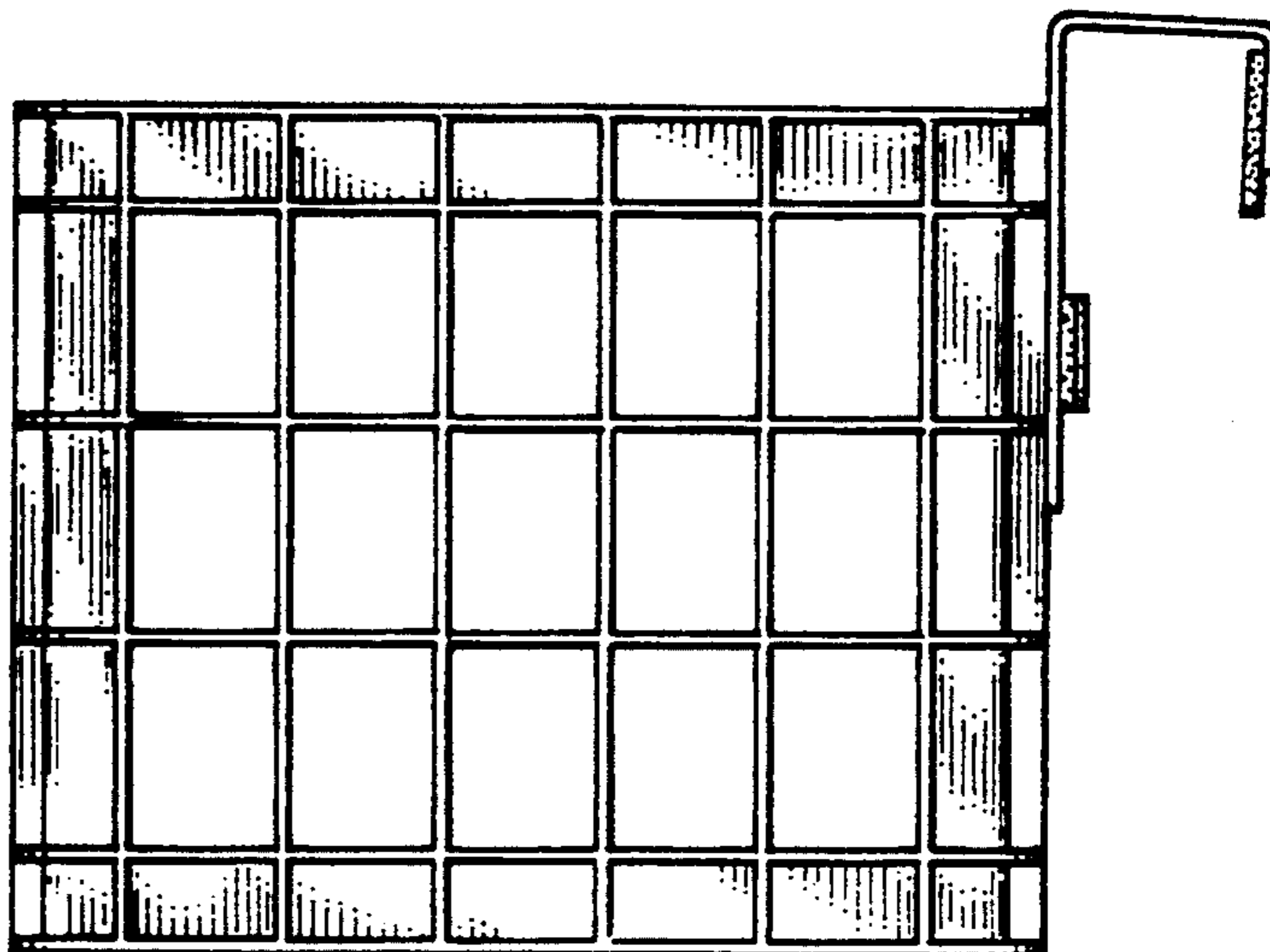


Fig. 5

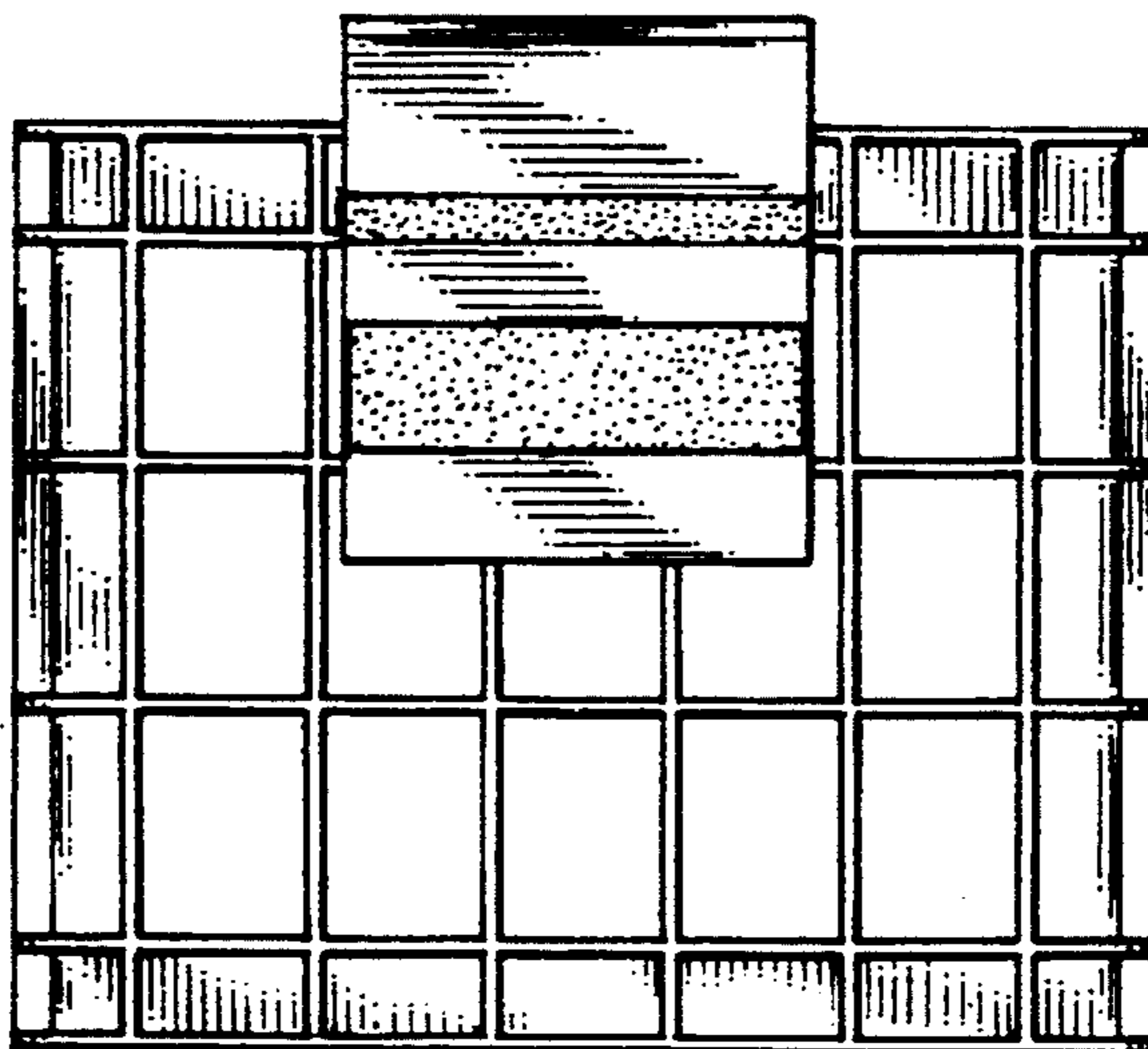


Fig. 6

