



US00D349313S

# United States Patent [19]

[11] Patent Number: **Des. 349,313**

Delaney et al.

[45] Date of Patent: **\*\* Aug. 2, 1994**

## [54] ROBOTIC FIGURE

## [56] References Cited

[75] Inventors: **Timothy J. Delaney**, Northridge;  
**Mark W. Stutz**, Calabasas, both of  
Calif.

### U.S. PATENT DOCUMENTS

D. 265,331 7/1982 Lucas, Jr. et al. .... D21/150  
D. 268,941 5/1983 Lucas, Jr. et al. .... D21/150

[73] Assignee: **The Walt Disney Company**, Burbank,  
Calif.

*Primary Examiner*—Melvin B. Feifer  
*Attorney, Agent, or Firm*—Pretty, Schroeder,  
Brueggemann & Clark

[\*\*] Term: **14 Years**

## [57] CLAIM

The ornamental design for a robotic figure, as shown  
and described.

[21] Appl. No.: **866,442**

## DESCRIPTION

[22] Filed: **Apr. 10, 1992**

FIG. 1 is a front elevational view of a robotic figure  
embodying our new design;

[52] U.S. Cl. .... **D21/150**

FIG. 2 is a left side elevational view of the figure;

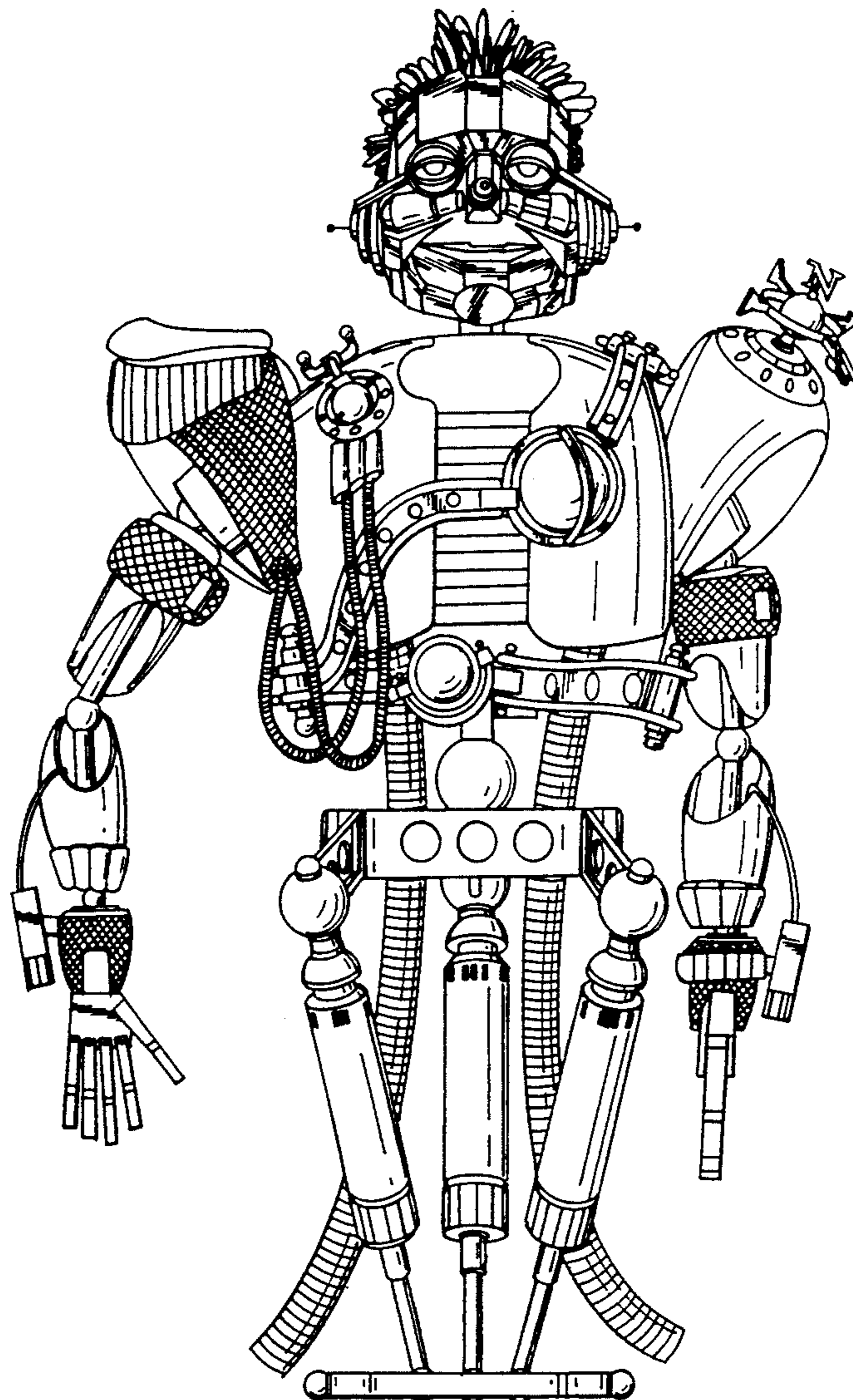
[58] Field of Search ..... 273/97, 268, 290-292,  
273/376; D21/150

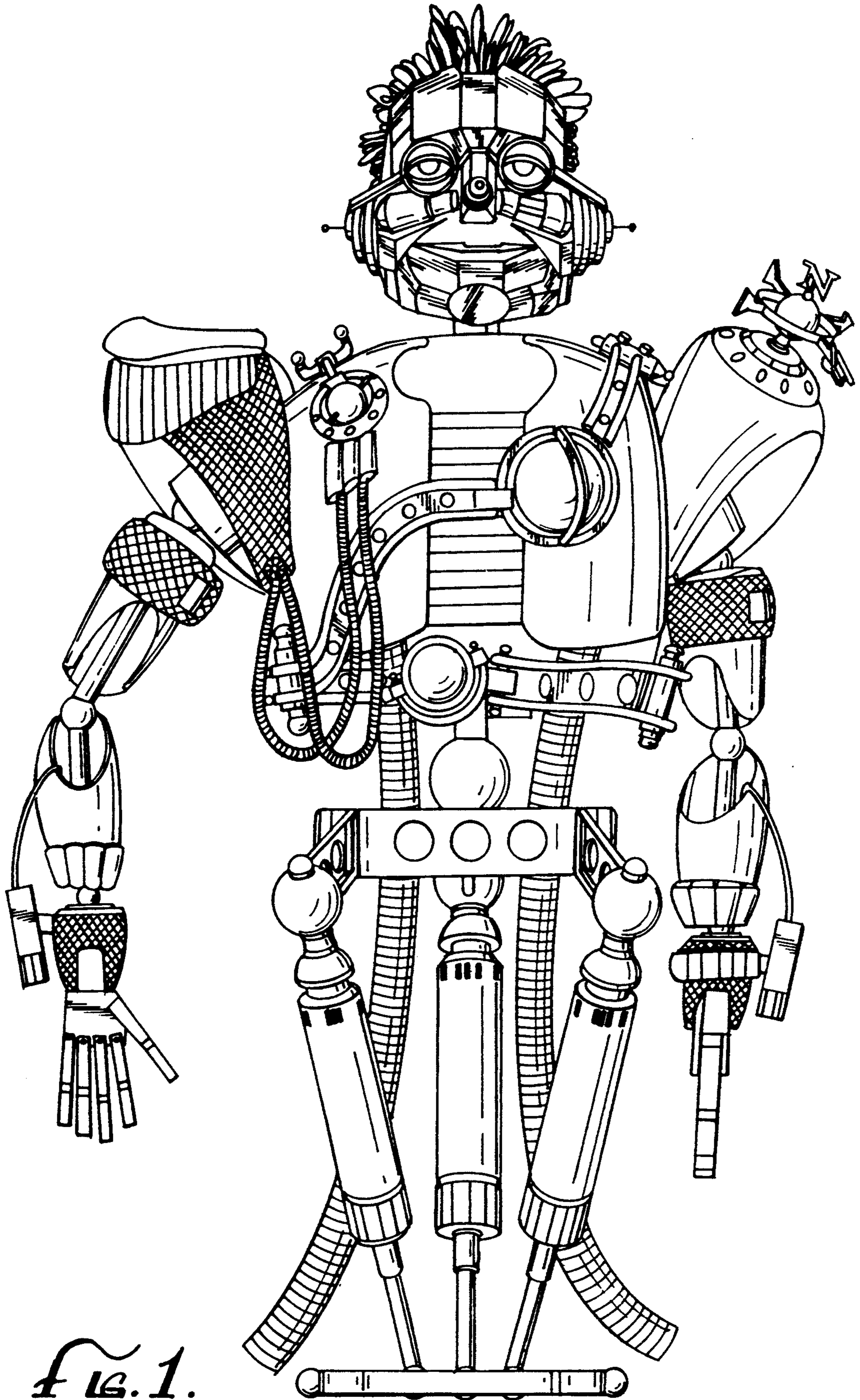
FIG. 3 is a right side elevational view of the figure;

FIG. 4 is a rear elevational view of the figure;

FIG. 5 is a top plan view of the figure; and,

FIG. 6 is a bottom plan view of the figure.





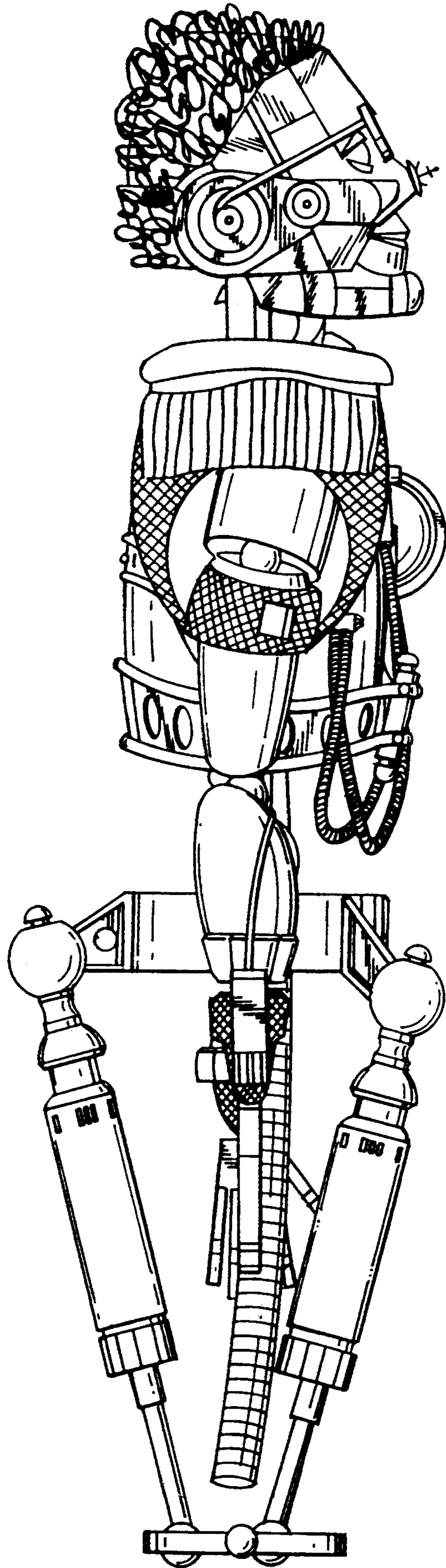
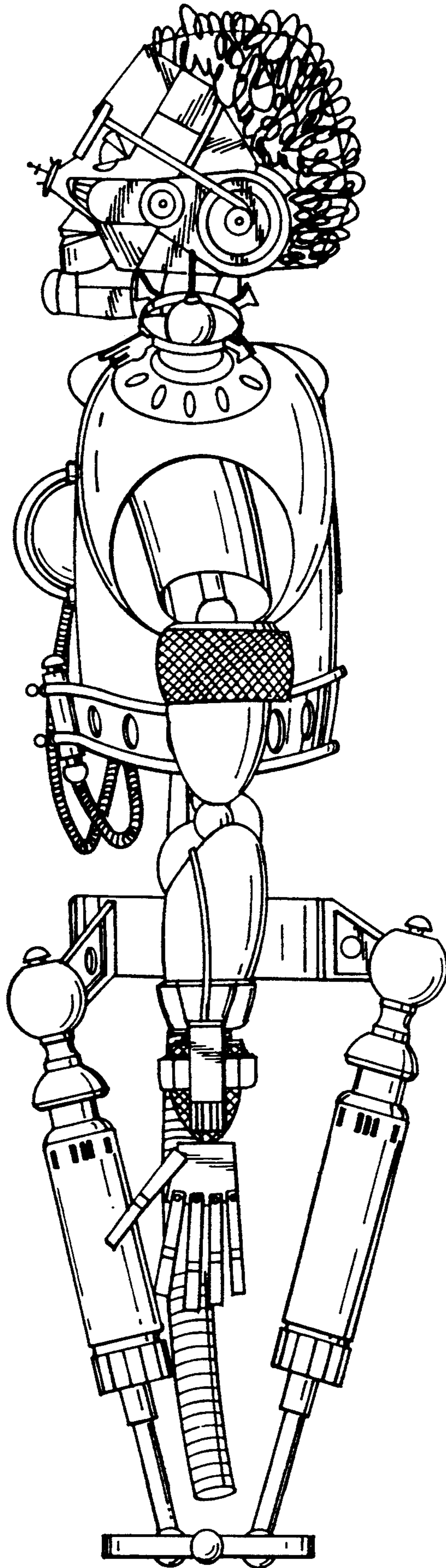


FIG. 2.



*FIG. 3.*

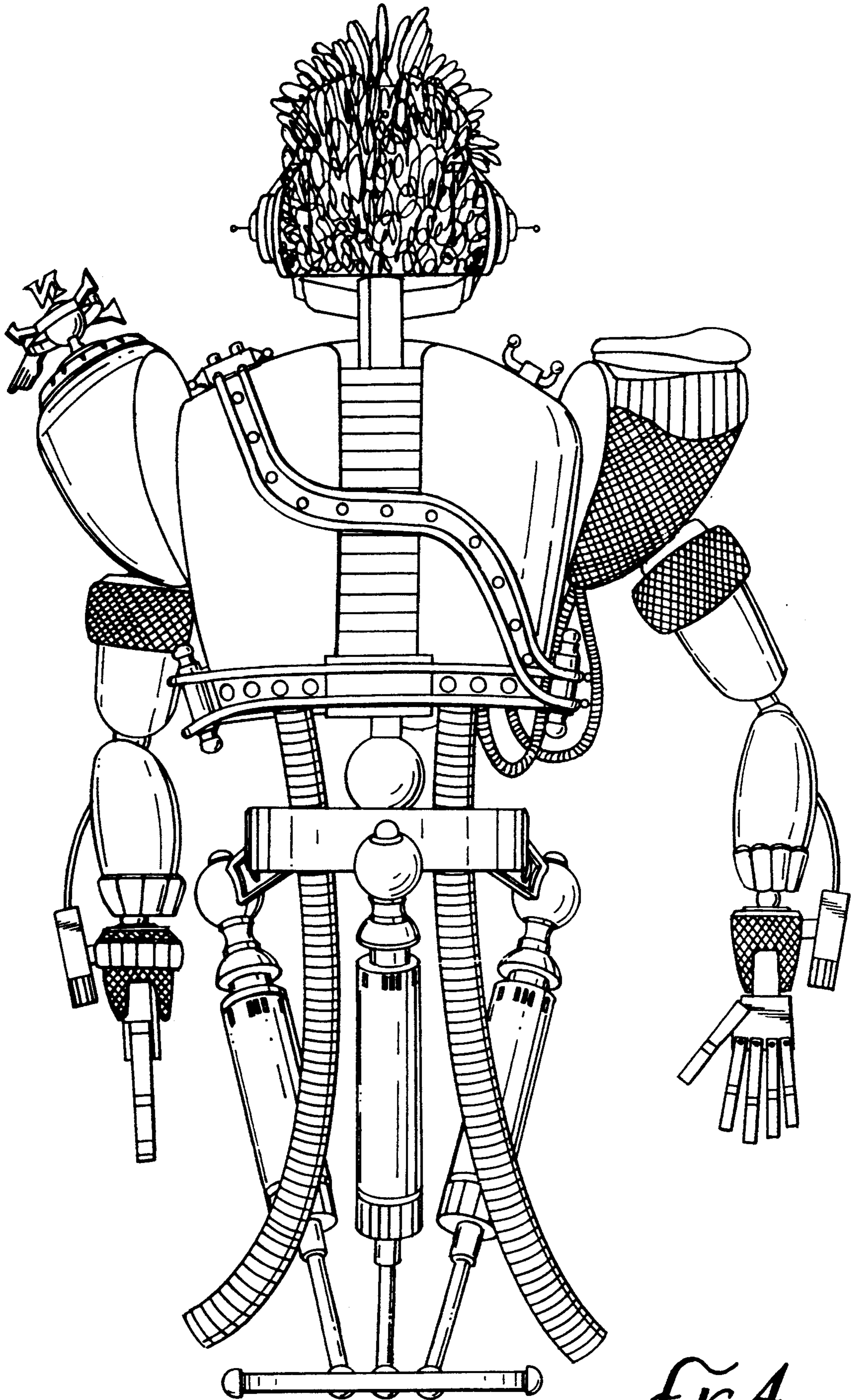
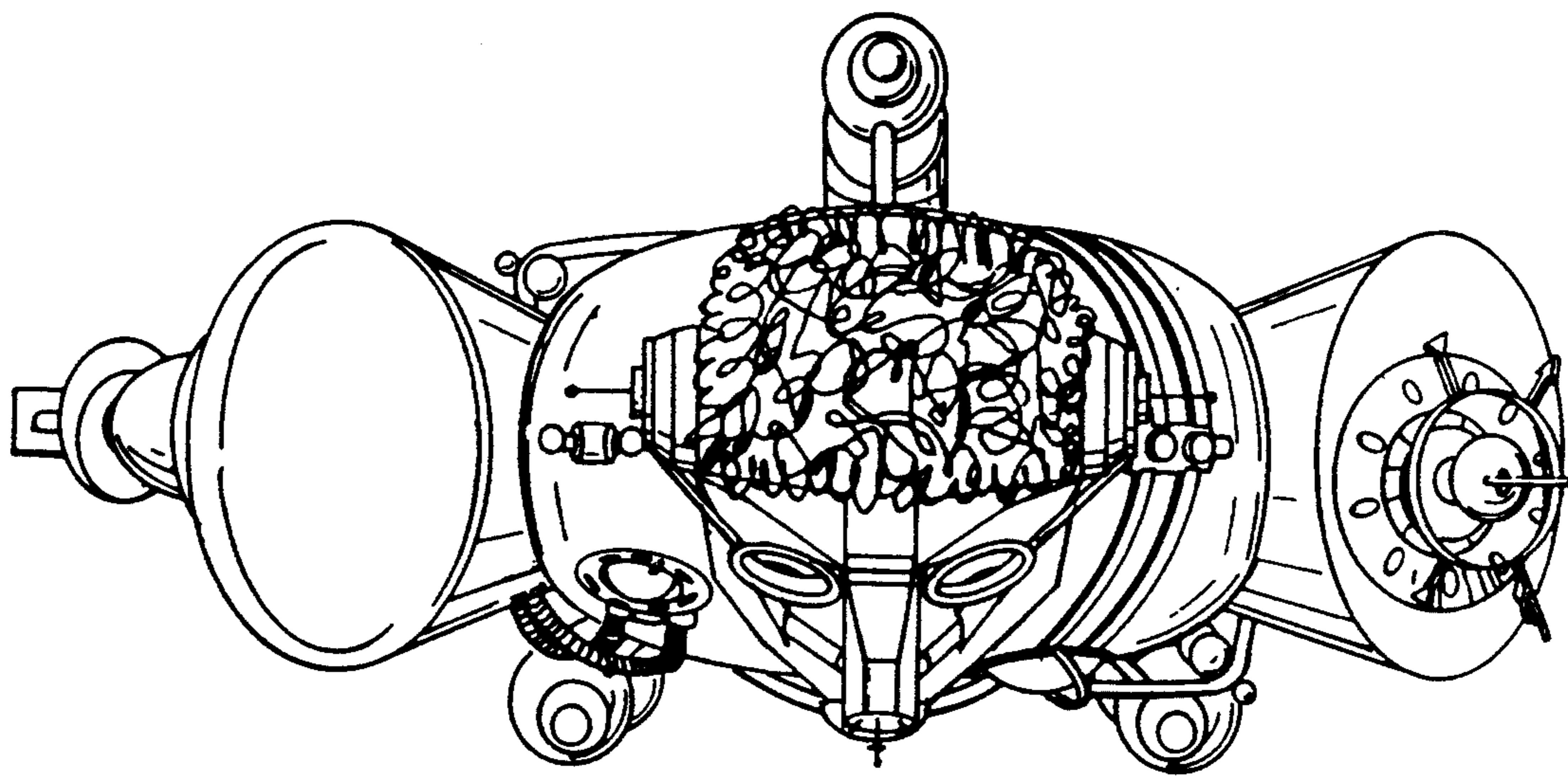
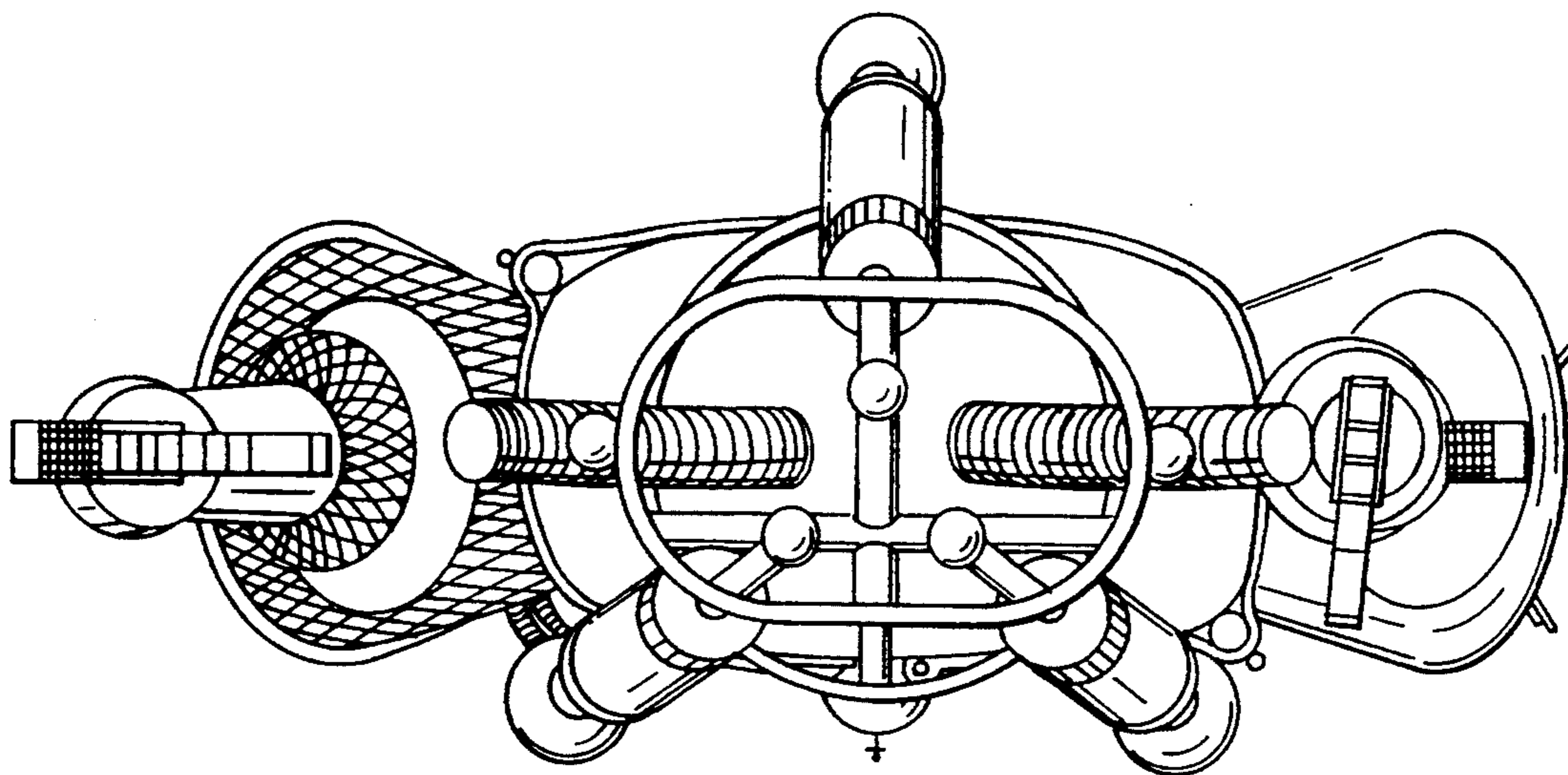


FIG. A.



*FIG. 5.*



*FIG. 6.*