



US00D349311S

# United States Patent [19]

[11] Patent Number: **Des. 349,311**

Isaacs

[45] Date of Patent: **\*\* Aug. 2, 1994**

[54] **CRAYON BALLOON**

[75] Inventor: **Michael S. Isaacs**, Brooklyn, N.Y.

[73] Assignee: **U.S. Balloon Manufacturing Co., Inc.**,  
Brooklyn, N.Y.

[\*\*] Term: **14 Years**

[21] Appl. No.: **317,340**

[22] Filed: **Mar. 1, 1989**

[52] U.S. Cl. .... **D21/84**

[58] Field of Search ..... 446/220, 222, 223, 225,  
446/226; D21/84, 85, 86, 150

[56] **References Cited**

**U.S. PATENT DOCUMENTS**

- D. 283,146 3/1986 Jensen ..... D21/84
- D. 284,016 5/1986 Davis ..... D21/84

**OTHER PUBLICATIONS**

Eberhard Faber Catalog 1907 #810 (Pens Pencils and Writing Instruments Digest).

Eberhard Faber Catalog 1907 #807 (Pens Pencils and Writing Instruments Digest).

*Primary Examiner*—Bernard Ansher

*Assistant Examiner*—R. Barkai

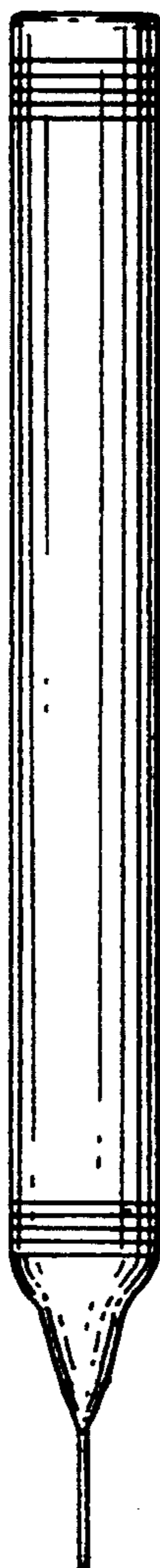
*Attorney, Agent, or Firm*—Lackenbach Siegel Marzullo  
Aronson & Greenspan

[57] **CLAIM**

The ornamental design for a crayon balloon, as shown and described.

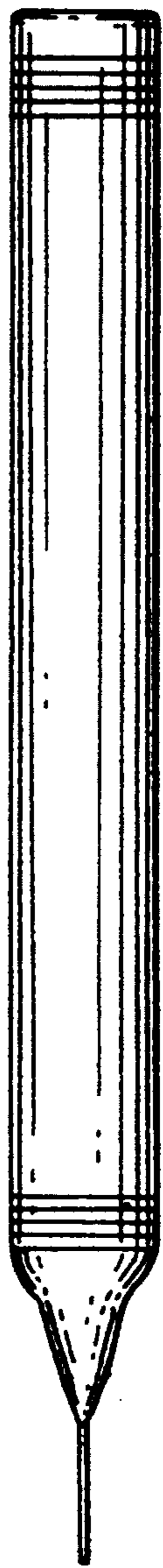
**DESCRIPTION**

FIG. 1 is a top plan view of a crayon balloon;  
FIG. 2 is a side elevational view therefor, all other sides being identical;  
FIG. 3 is a bottom plan view therefor; and,  
FIG. 4 is a side elevational view a modified embodiment of the design shown in FIGS. 1-3.

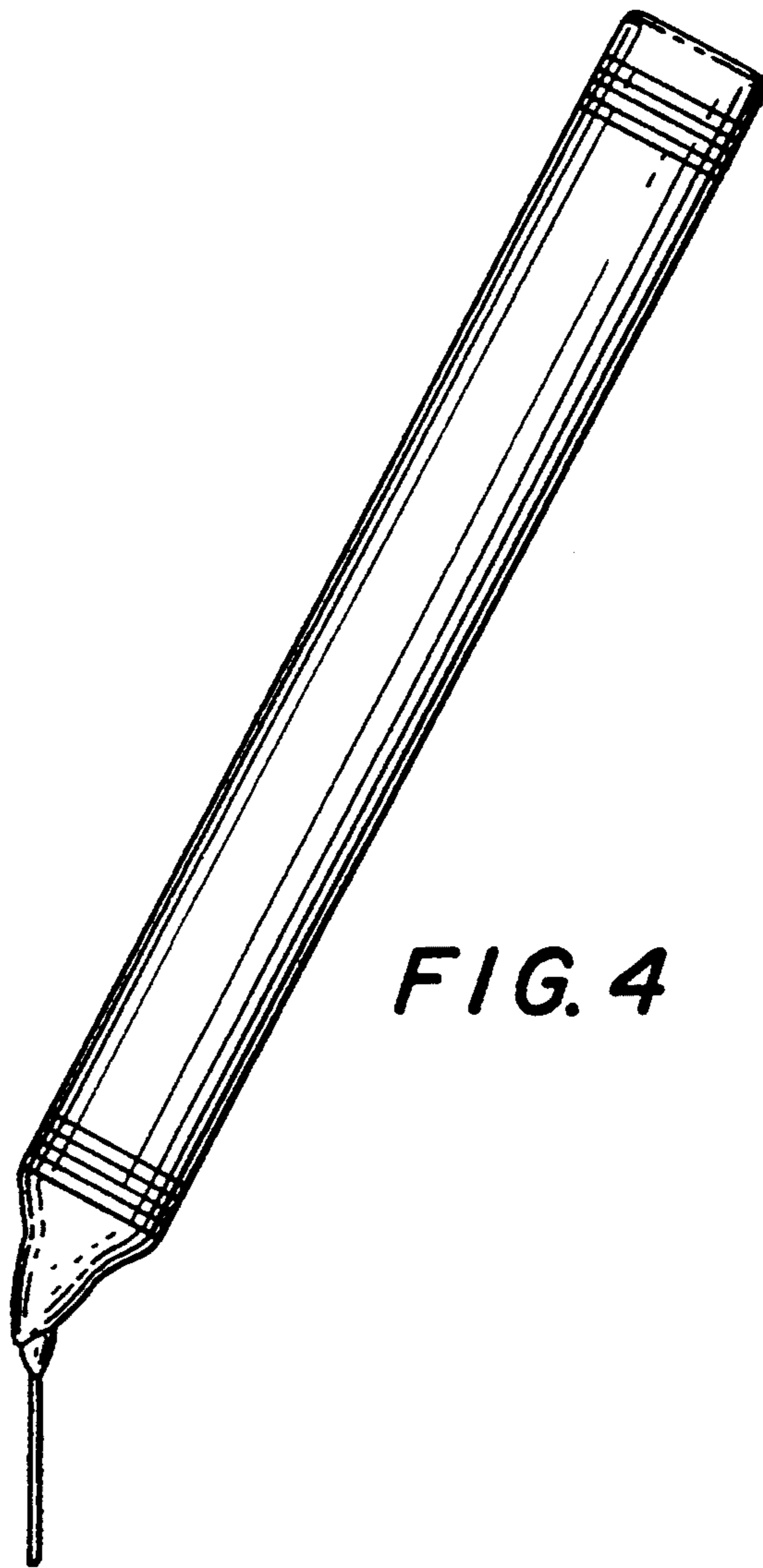




**FIG. 1**



**FIG. 2**



**FIG. 4**



**FIG. 3**