



US00D349310S

# United States Patent [19] Sundberg

[11] Patent Number: **Des. 349,310**

[45] Date of Patent: **\*\* Aug. 2, 1994**

[54] **ACTIVITY TOY**

[75] Inventor: **Brian Sundberg**, Stoughton, Mass.

[73] Assignee: **Safety 1st, Inc.**, Chestnut Hill, Mass.

[\*\*] Term: **14 Years**

[21] Appl. No.: **8,685**

[22] Filed: **May 21, 1993**

[52] U.S. Cl. .... **D21/59; D21/63**

[58] Field of Search ..... **446/227; D21/59, 63, D21/64**

2,402,861	6/1946	Winnick .....	446/227
4,188,745	2/1980	Harvey et al. ....	446/227
4,722,713	2/1988	Williams et al. ....	446/227

*Primary Examiner*—Bernard Ansher  
*Assistant Examiner*—Dominic Simone  
*Attorney, Agent, or Firm*—Wolf, Greenfield & Sacks

[57] **CLAIM**

The ornamental design for an activity toy, as shown.

**DESCRIPTION**

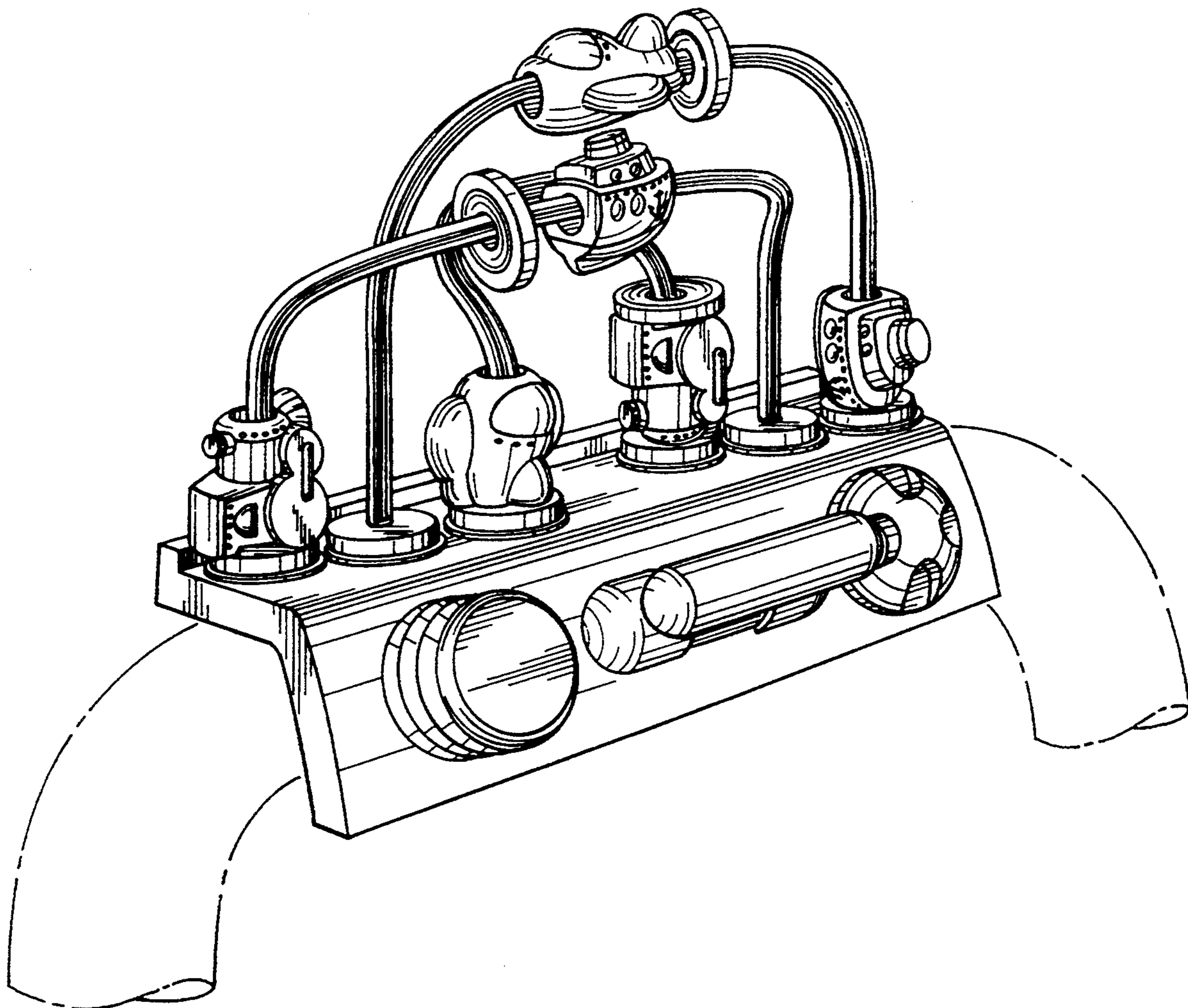
FIG. 1 is a perspective view of an activity toy showing my new design;  
FIG. 2 is a front view thereof;  
FIG. 3 is a left side view thereof;  
FIG. 4 is a right side view thereof;  
FIG. 5 is a rear view thereof;  
FIG. 6 is a top view thereof; and,  
FIG. 7 is a bottom view thereof.

[56]

**References Cited**

**U.S. PATENT DOCUMENTS**

D. 219,746	1/1971	Stubbmann .....	D21/63
D. 281,438	11/1985	Wong .....	D21/63
D. 282,760	2/1986	Catelli .....	D21/63
D. 300,333	3/1989	Thomson et al. ....	D21/64 X



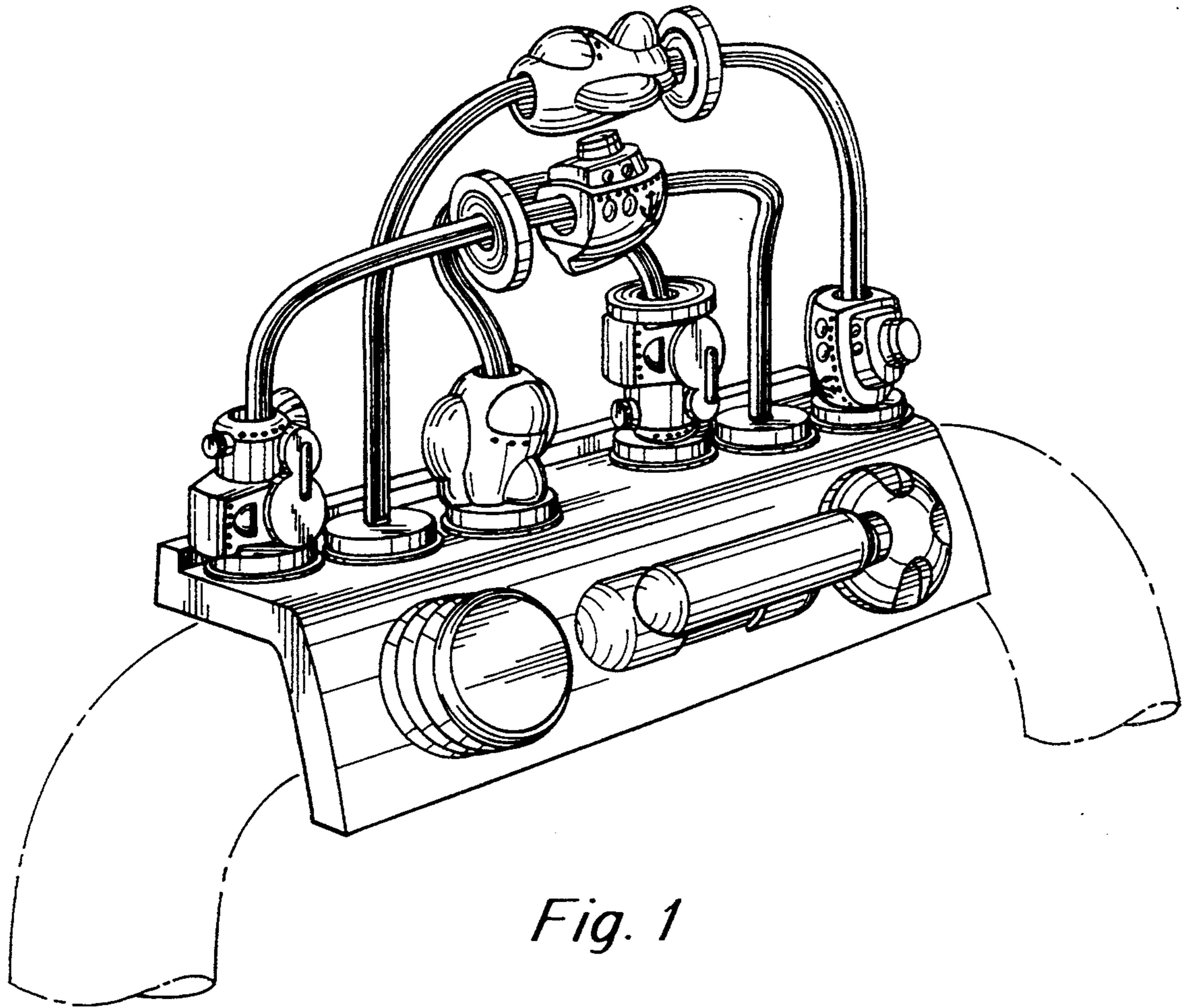


Fig. 1

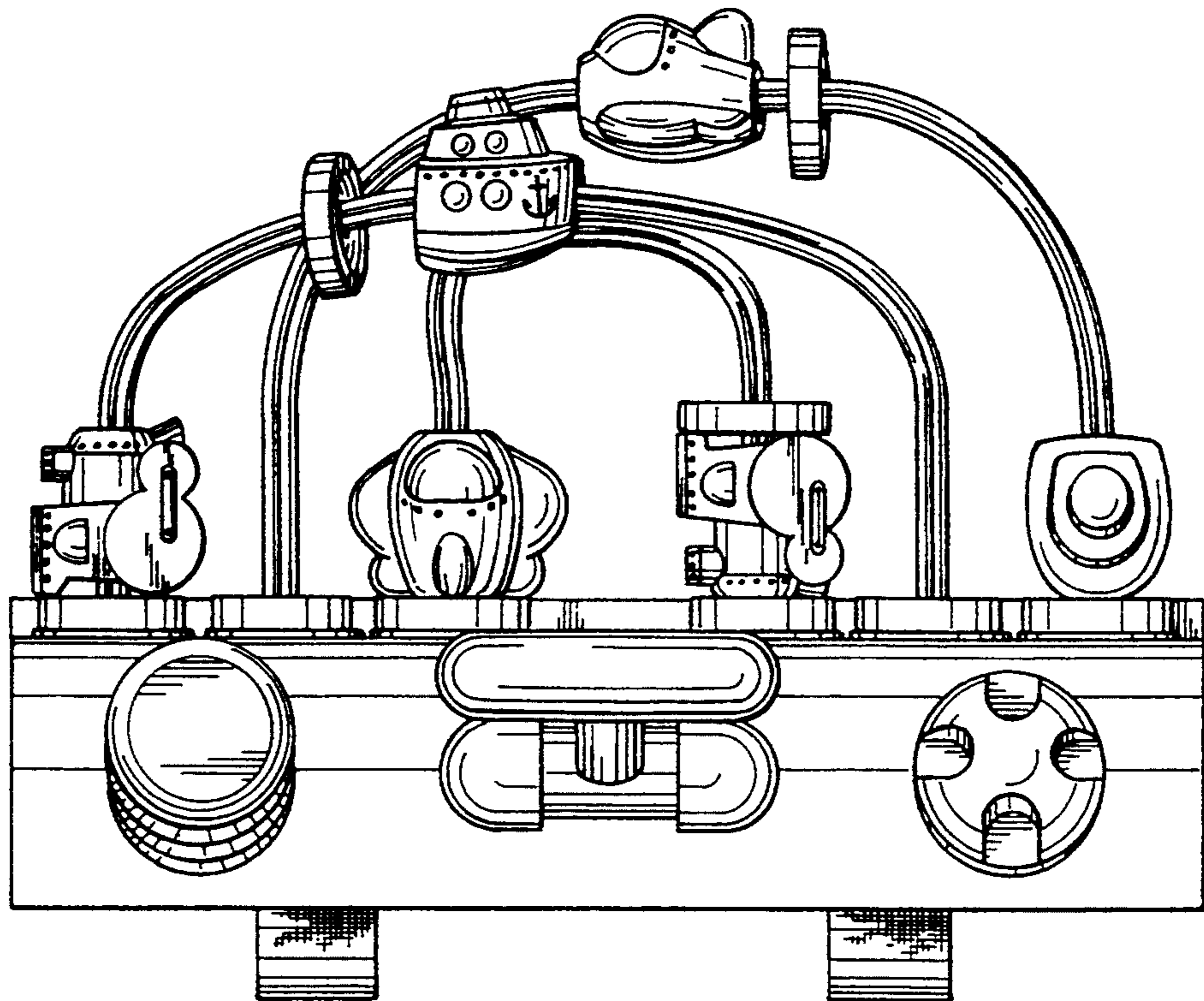
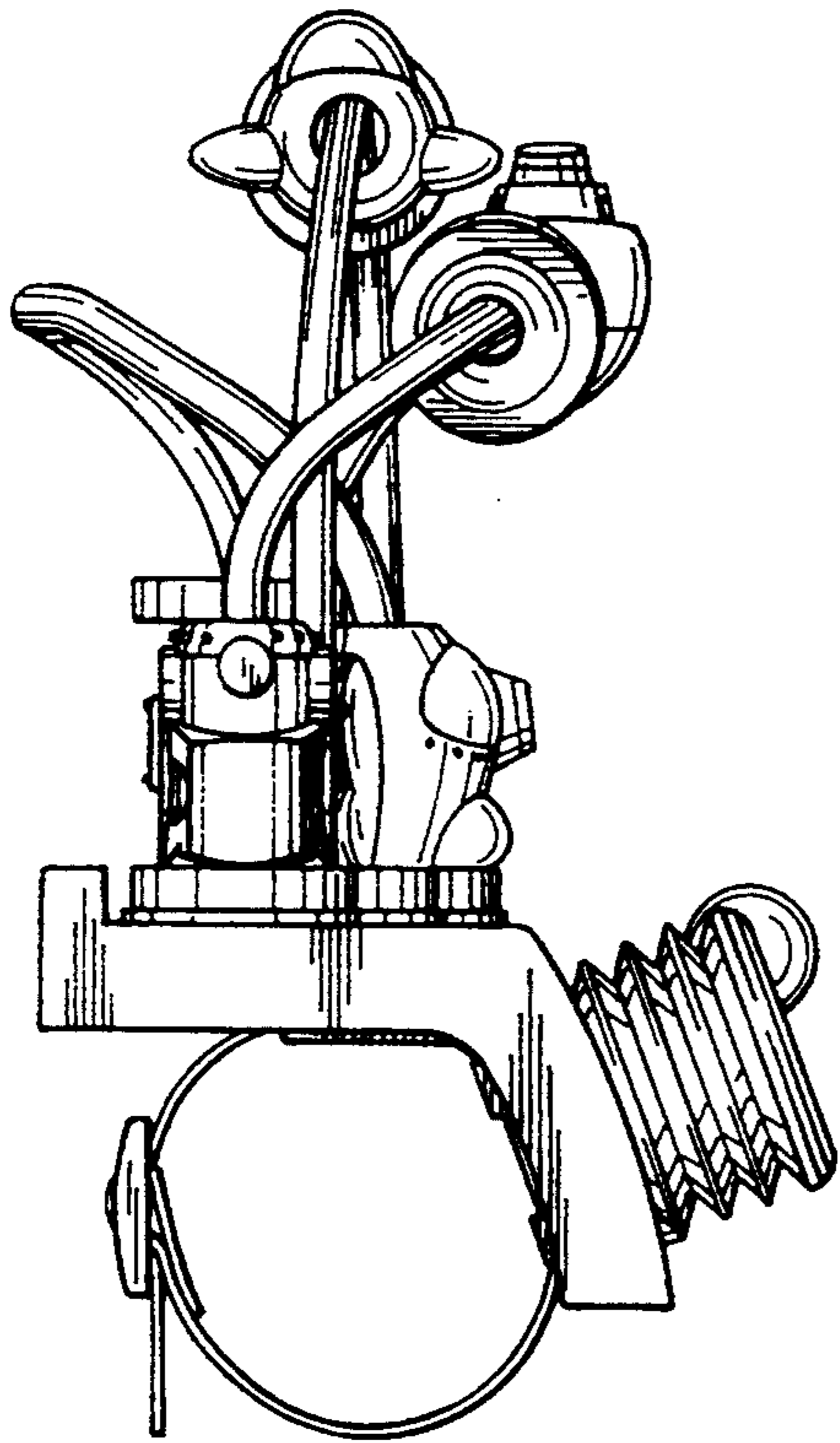
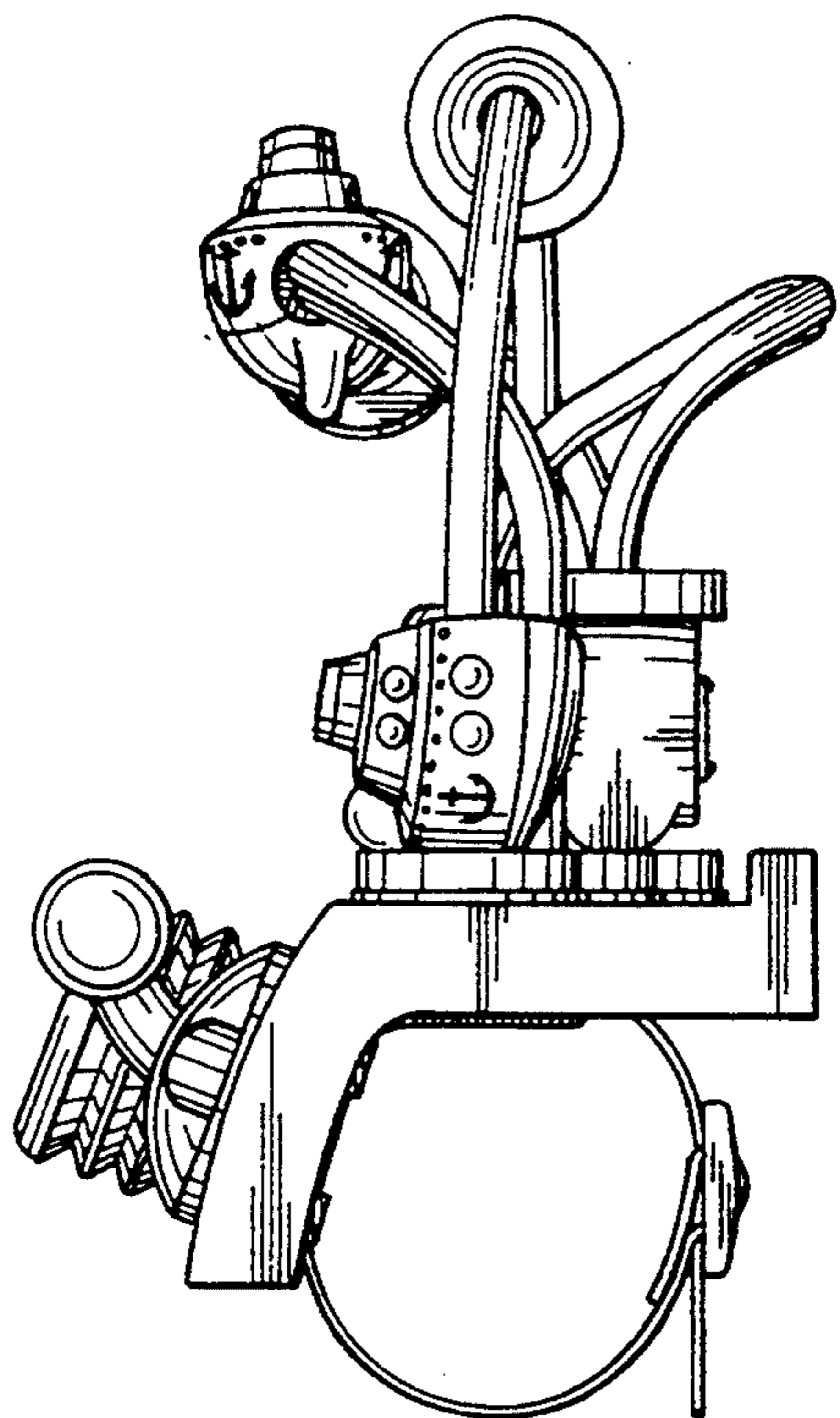


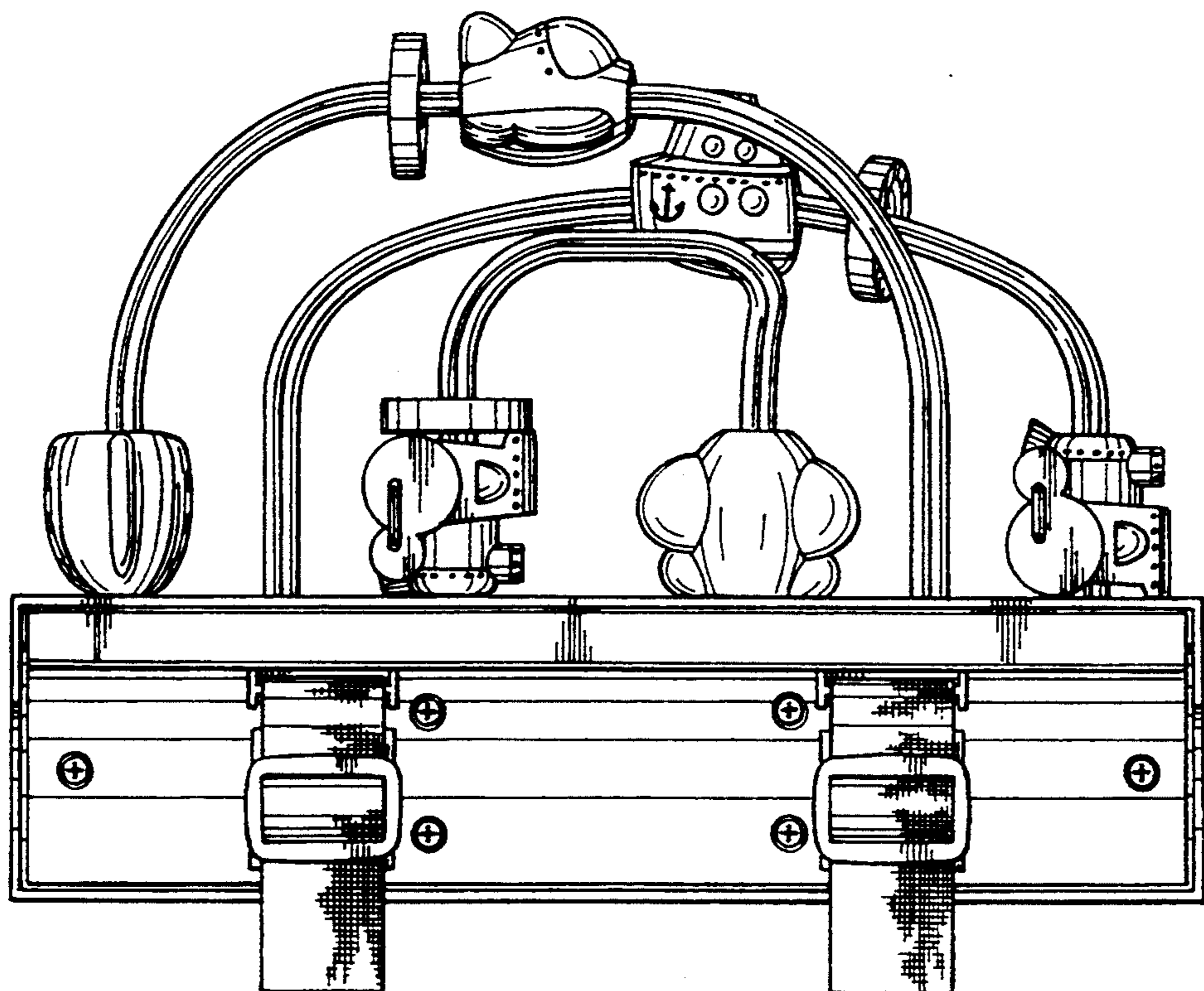
Fig. 2



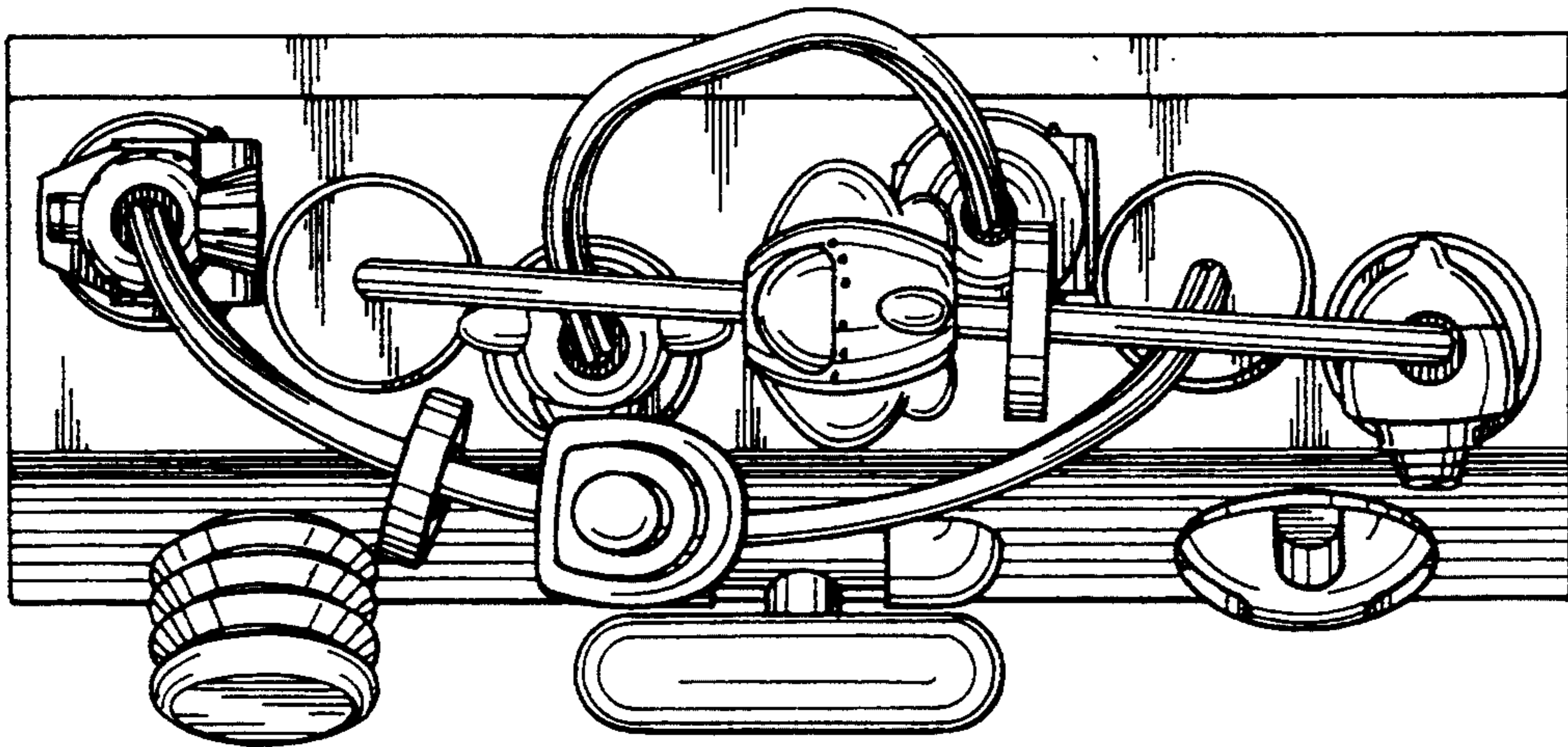
*Fig. 3*



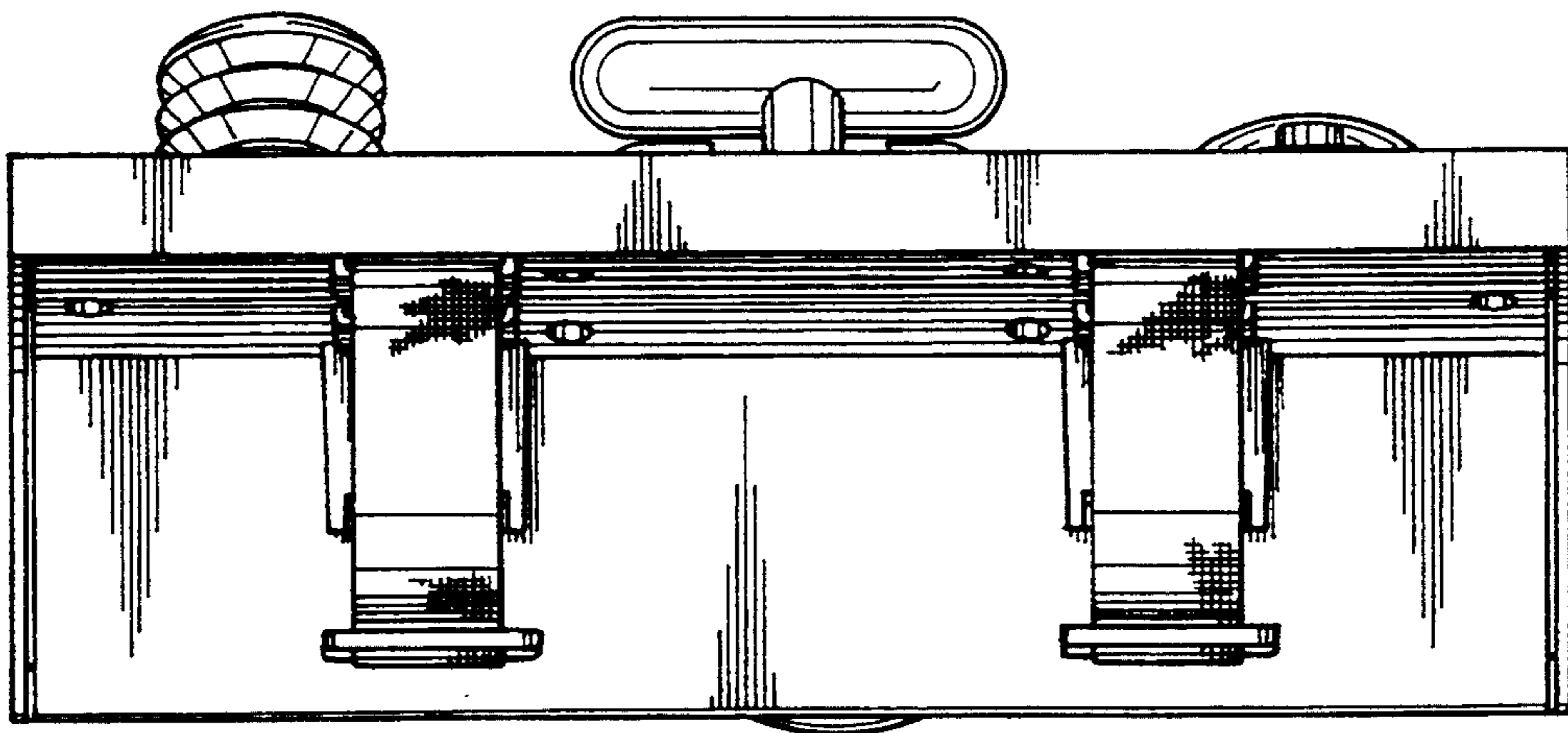
*Fig. 4*



*Fig. 5*



*Fig. 6*



*Fig. 7*