



US00D349303S

United States Patent [19] Kaplan

[11] Patent Number: **Des. 349,303**

[45] Date of Patent: **** Aug. 2, 1994**

[54] **GAME BOARD**

4,662,846 5/1987 Quercetti 273/122 R X
5,165,692 11/1992 D'Agostino 273/242

[75] Inventor: **Andrew J. Kaplan**, Portsmouth, N.H.

[73] Assignee: **Kinderworks Corporation**,
Portsmouth, N.H.

[**] Term: **14 Years**

[21] Appl. No.: **3,963**

[22] Filed: **Jan. 22, 1993**

[52] U.S. Cl. **D21/9; D21/7**

[58] **Field of Search** 273/113, 118 A, 120 R,
273/120 A, 128 A, 237, 242, 121 R, 121 A, 121
B, 121 D, 121 E, 122 R, 122 A; 425/331, 332,
333; D21/7-10, 16-19, 34, 35, 36, 204, 205

[56] **References Cited**

U.S. PATENT DOCUMENTS

D. 242,557 11/1976 Lohr et al. D21/9
D. 260,537 9/1981 Mayuzumi D21/10
3,880,428 4/1975 McComber 273/120 R X
3,934,881 1/1976 Goldfarb et al. 273/120 R X

OTHER PUBLICATIONS

Playthings, Jun. 1961, p. 38, item #16.
Electricity Made Simple, 1959, p. 89 as shown.
Electricity Made Simple, 1959, p. 103 FIG. 102.

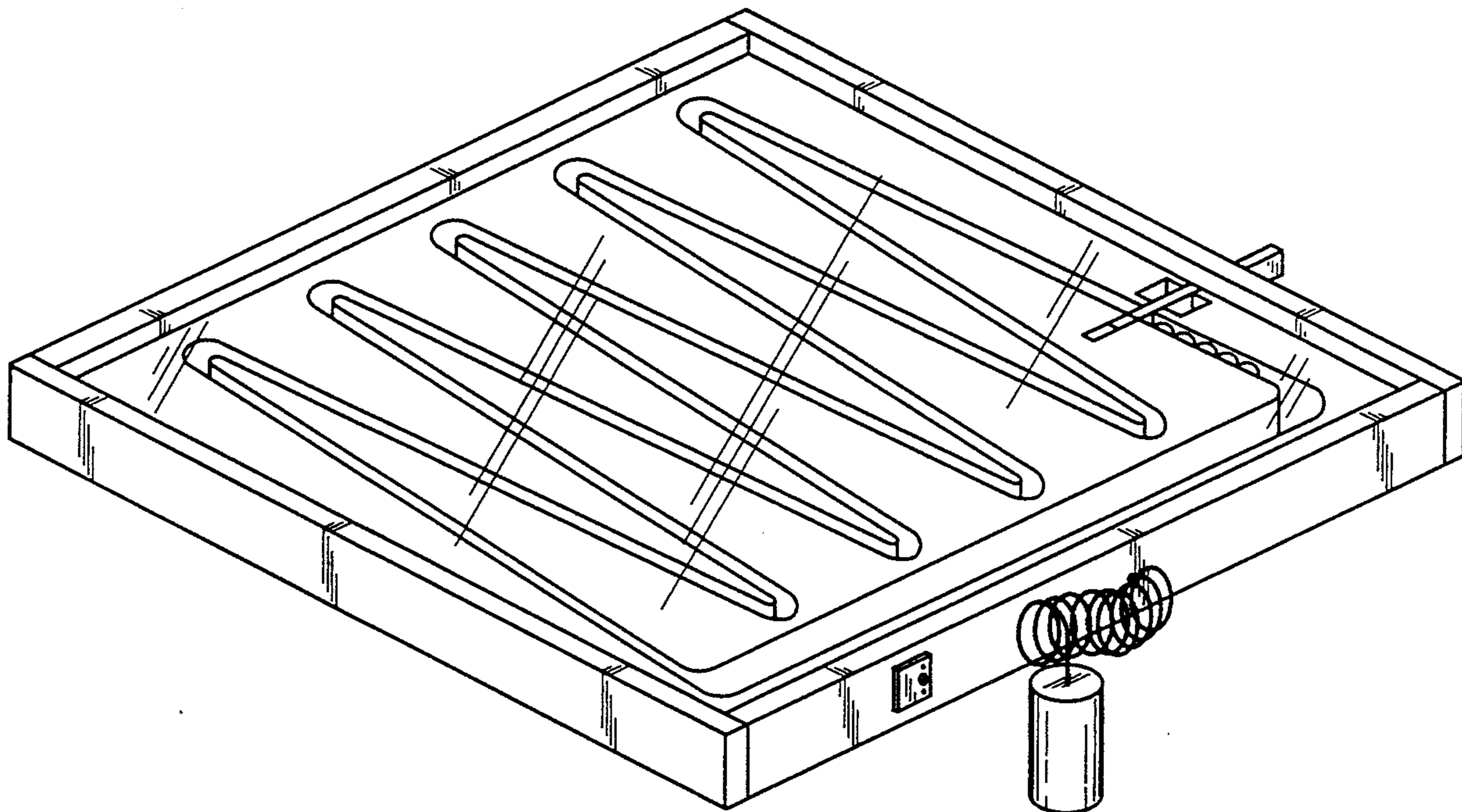
Primary Examiner—Prabhakar G. Deshmukh
Attorney, Agent, or Firm—Reed Smith Shaw & McClay

[57] CLAIM

The ornamental design for game board, as shown and described.

DESCRIPTION

FIG. 1 is a perspective view of a game board showing my new design;
FIG. 2 is a top plan view thereof;
FIG. 3 is a front elevational view thereof;
FIG. 4 is a bottom plan view thereof;
FIG. 5 is a rear elevational view thereof;
FIG. 6 is a left side elevational view thereof; and,
FIG. 7 is a right side elevational view thereof.



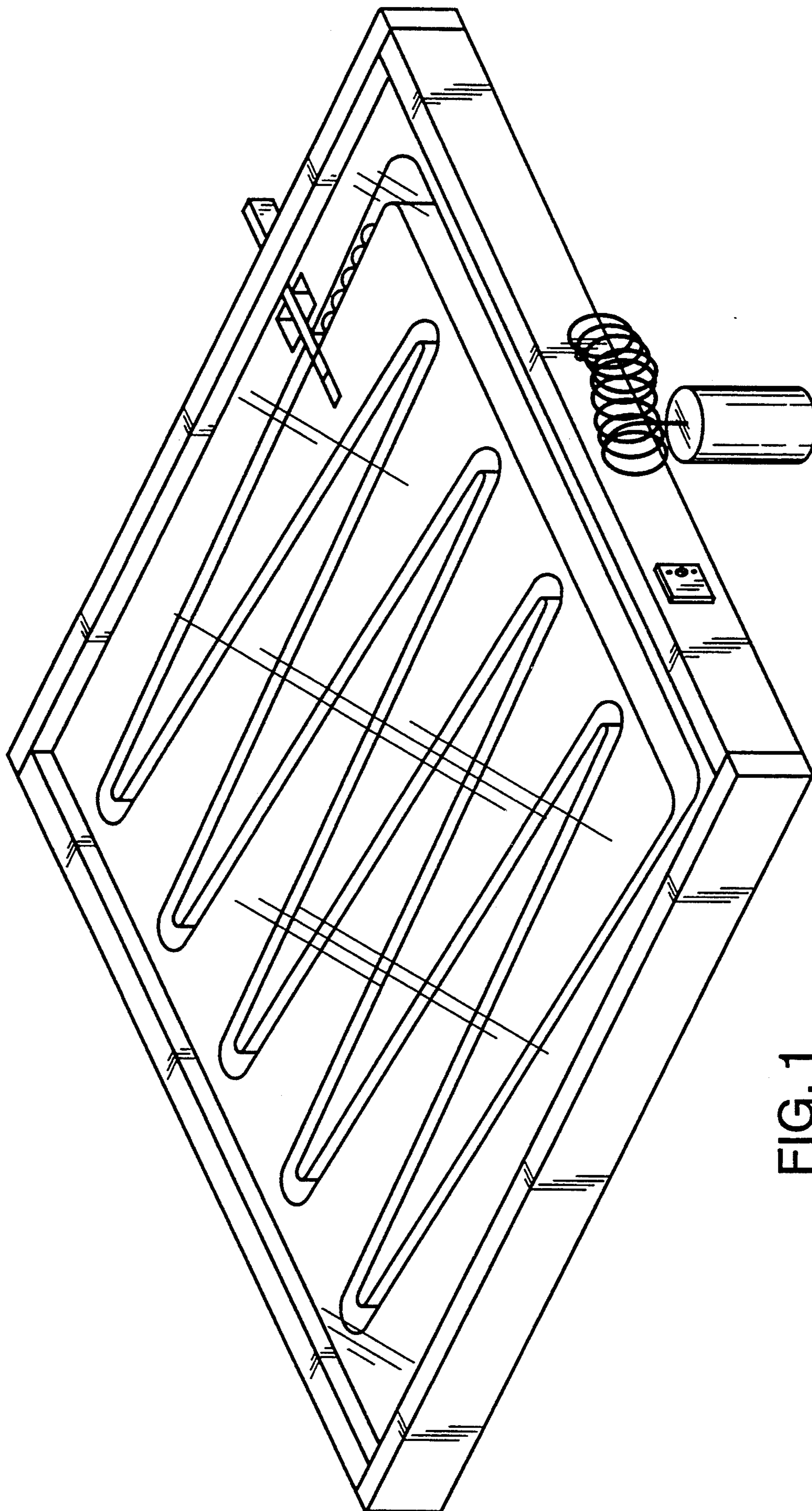


FIG. 1

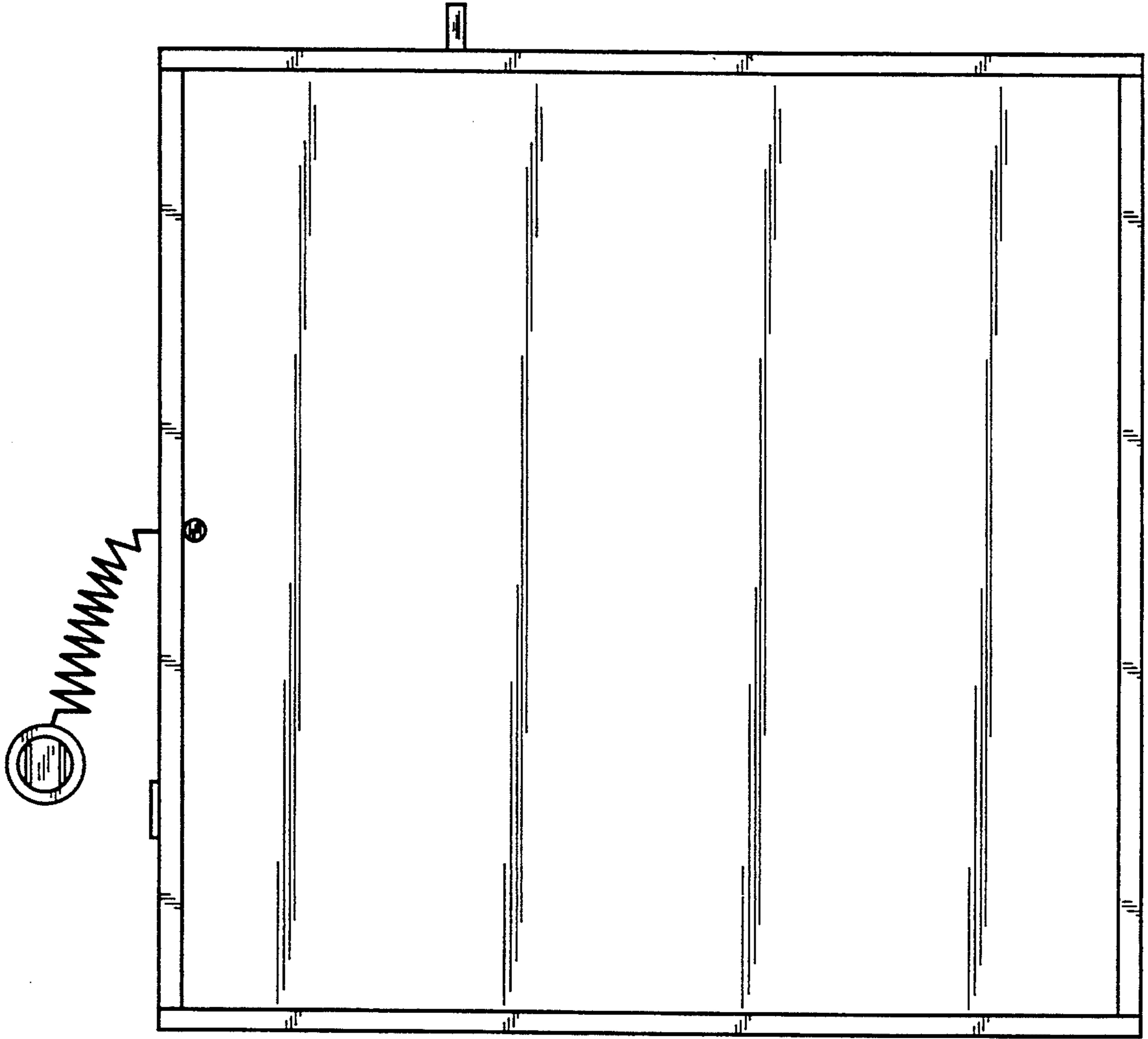


FIG. 4

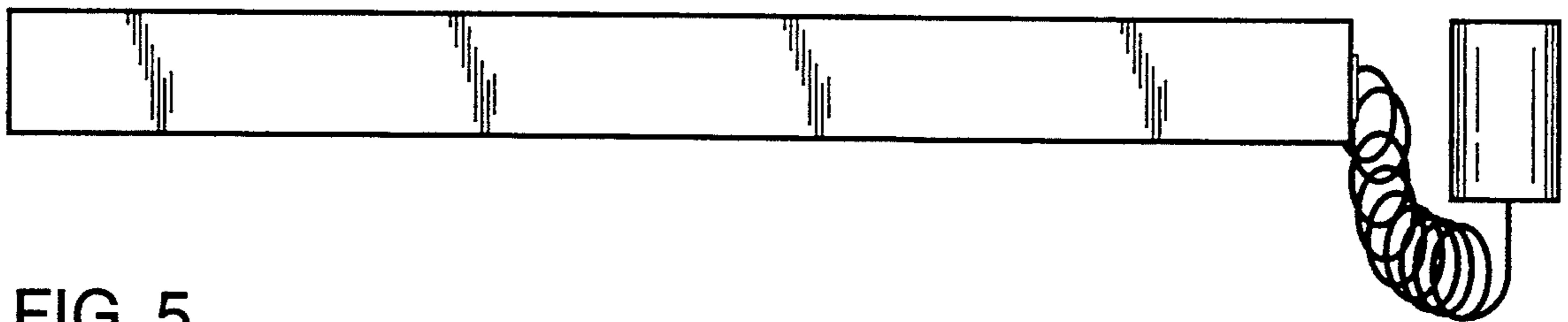


FIG. 5

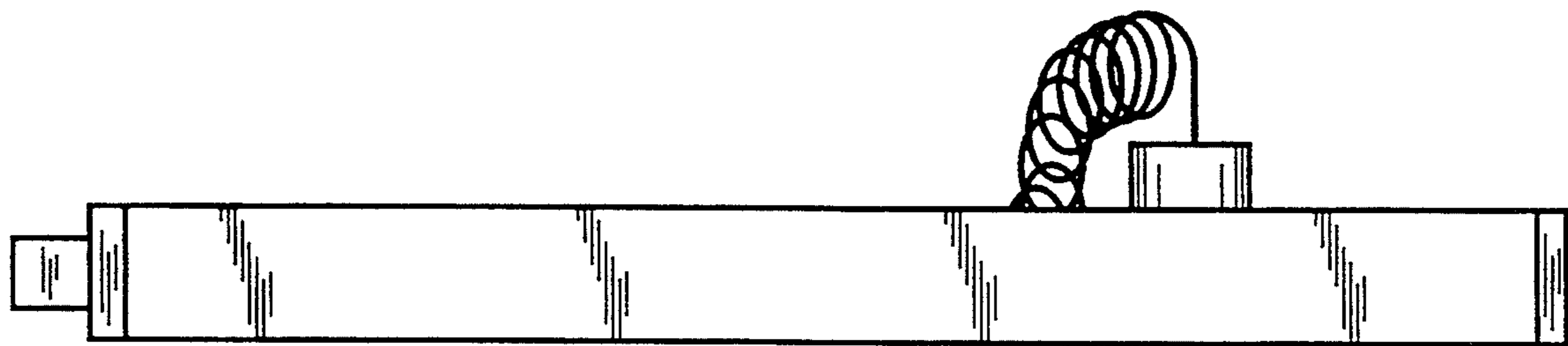


FIG. 6



FIG. 7