



US00D349299S

United States Patent [19]

[11] Patent Number: **Des. 349,299**

Fok

[45] Date of Patent: **** Aug. 2, 1994**

[54] **HOUSING FOR ELECTRONIC INSTRUCTIONAL GAME APPARATUS**

[75] Inventor: **Chin T. Fok, Shatin, Hong Kong**

[73] Assignee: **VTECH Industries, Inc., Wheeling, Ill.**

[**] Term: **14 Years**

[21] Appl. No.: **1,415**

[22] Filed: **Nov. 13, 1992**

[52] U.S. Cl. **D19/60; D21/13; D14/106**

[58] Field of Search **434/322, 323, 324, 308, 434/307, 169; D19/59, 60, 61, 62, 63, 64; D21/13; D14/106**

[56] **References Cited**

U.S. PATENT DOCUMENTS

D. 271,029	10/1983	Nagel et al.	D19/60
D. 308,510	6/1990	Cheung	D21/13
D. 319,046	8/1991	Kapac et al.	D14/100
D. 325,903	5/1992	Kimble	D14/106
D. 330,048	10/1992	Cheung et al.	D19/60
4,492,582	1/1985	Chang et al.	434/169

OTHER PUBLICATIONS

- 1987 Video Technology Industries, Inc. catalog, pp. 8-9.
- 1990 Video Technology Industries, Inc. catalog, pp. 18-19.
- 1992 Video Technology Industries, Inc. catalog, pp. 7,11.

Primary Examiner—James M. Gandy
Assistant Examiner—Pamela Burgess
Attorney, Agent, or Firm—Dick and Harris

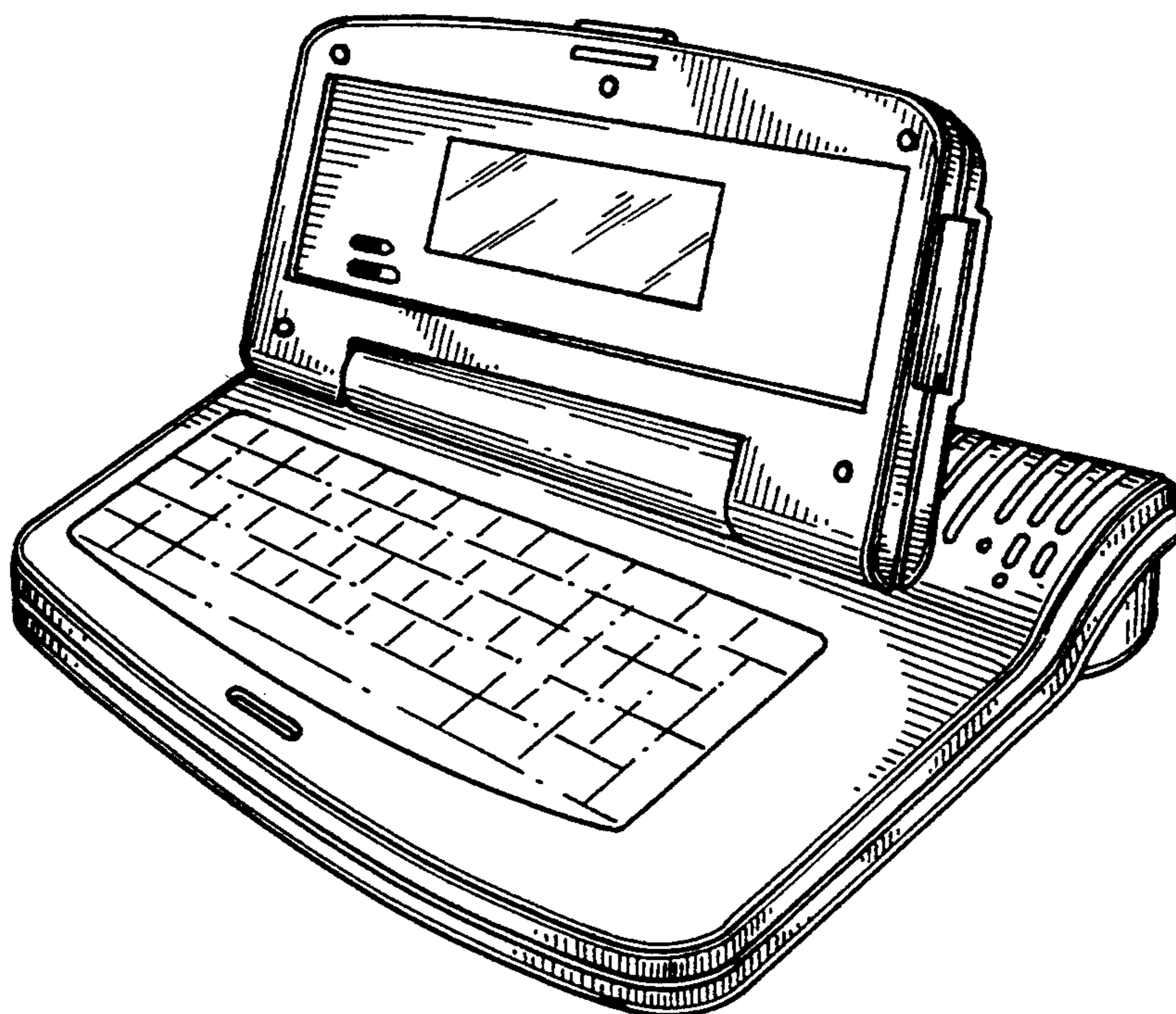
[57] **CLAIM**

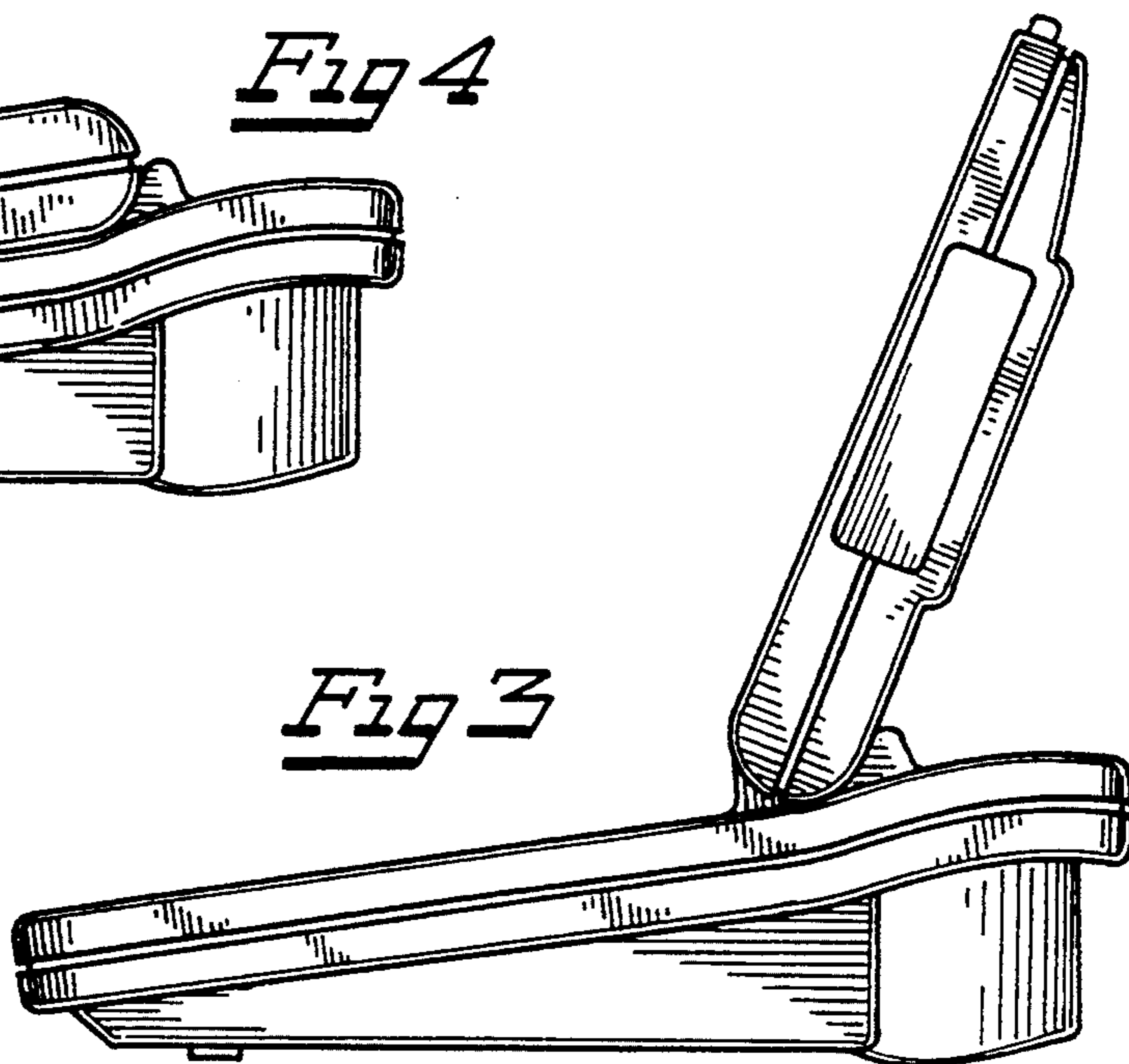
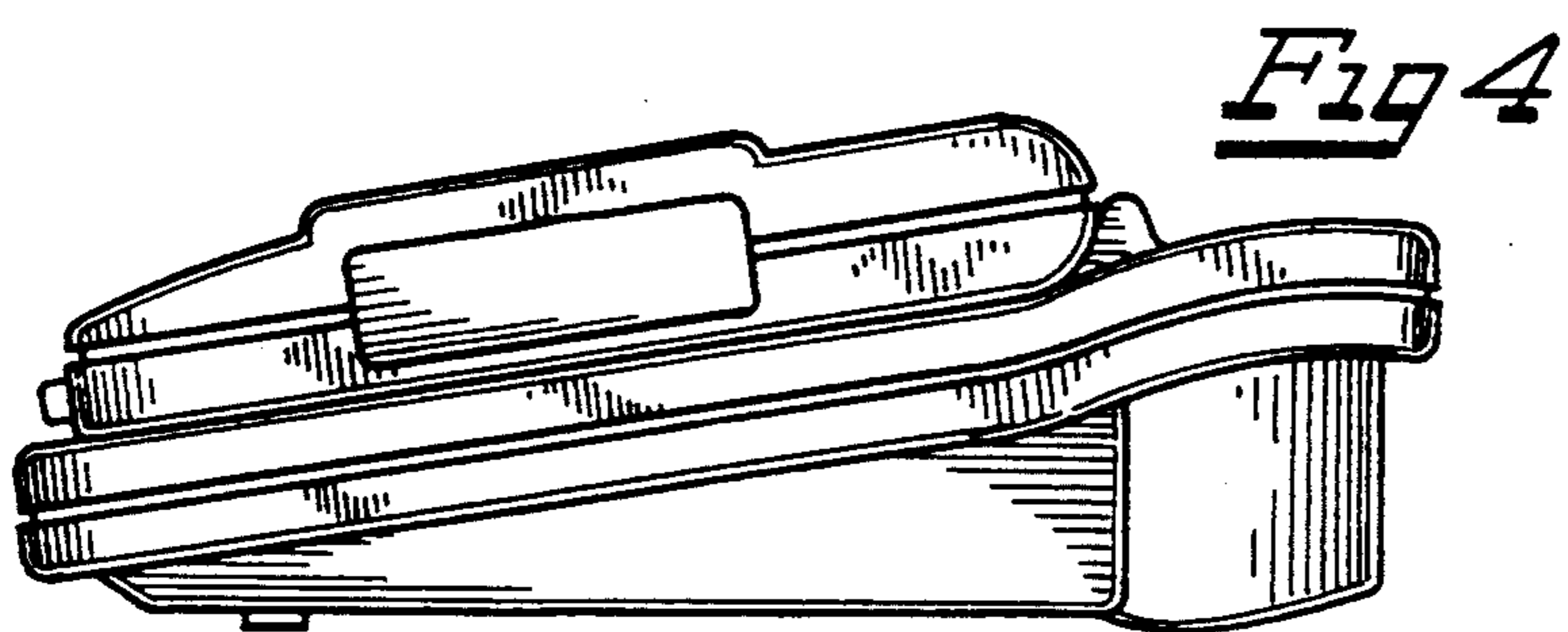
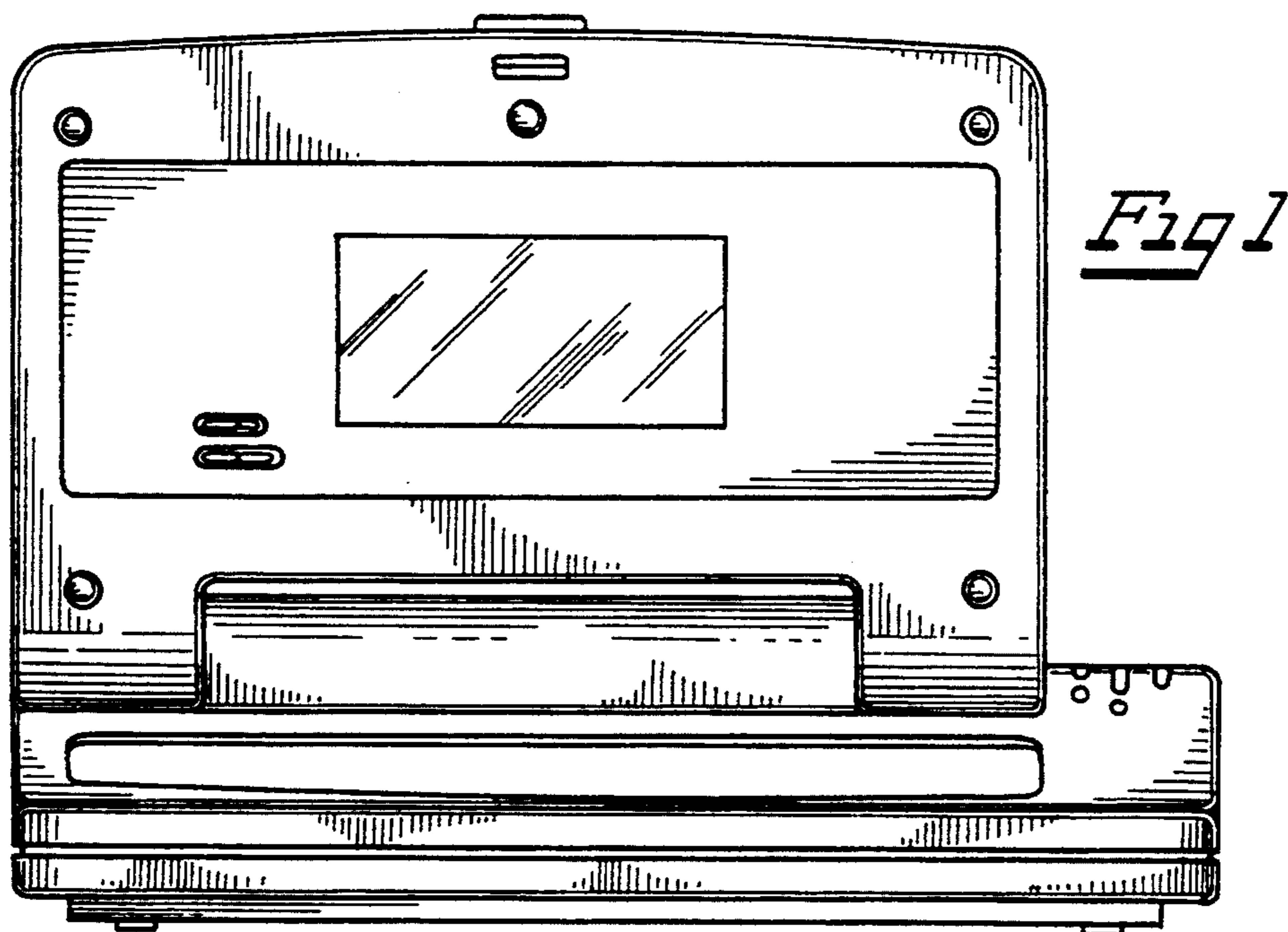
The ornamental design for a housing for electronic instructional game apparatus, as shown and described.

DESCRIPTION

FIG. 1 is a front elevational view, in open configuration, of the housing for electronic instructional game apparatus, showing my new design;
 FIG. 2 is a front elevational view thereof, in closed configuration;
 FIG. 3 is a right elevational view thereof, in open configuration;
 FIG. 4 is a right elevational view thereof, in closed configuration;
 FIG. 5 is a left elevational view thereof, in open configuration;
 FIG. 6 is a left elevational view thereof, in closed configuration;
 FIG. 7 is a rear elevational view thereof, in open configuration;
 FIG. 8 is a rear elevational view thereof, in closed configuration;
 FIG. 9 is a top plan view thereof, in closed configuration;
 FIG. 10 is a perspective view thereof, in open configuration; and,
 FIG. 11 is a perspective view thereof, in closed configuration.

The broken lines shown in FIG. 10 are for illustrative purposes only forming no part of the claimed design.





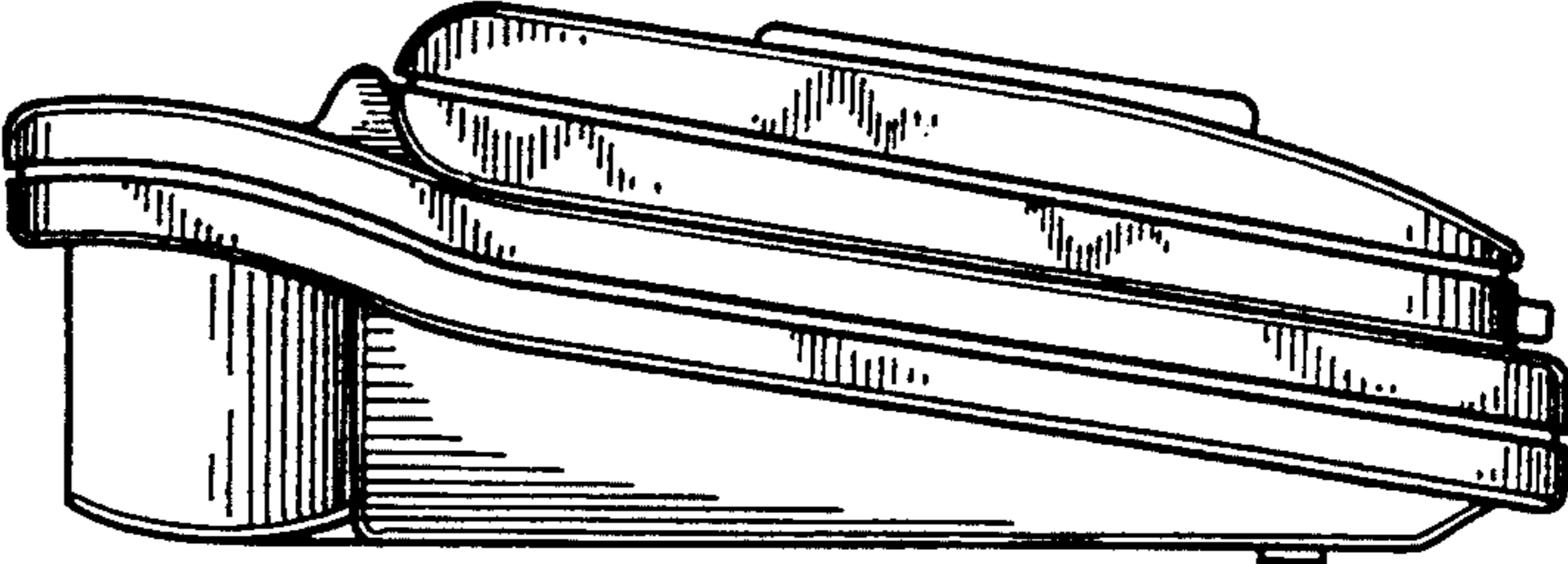
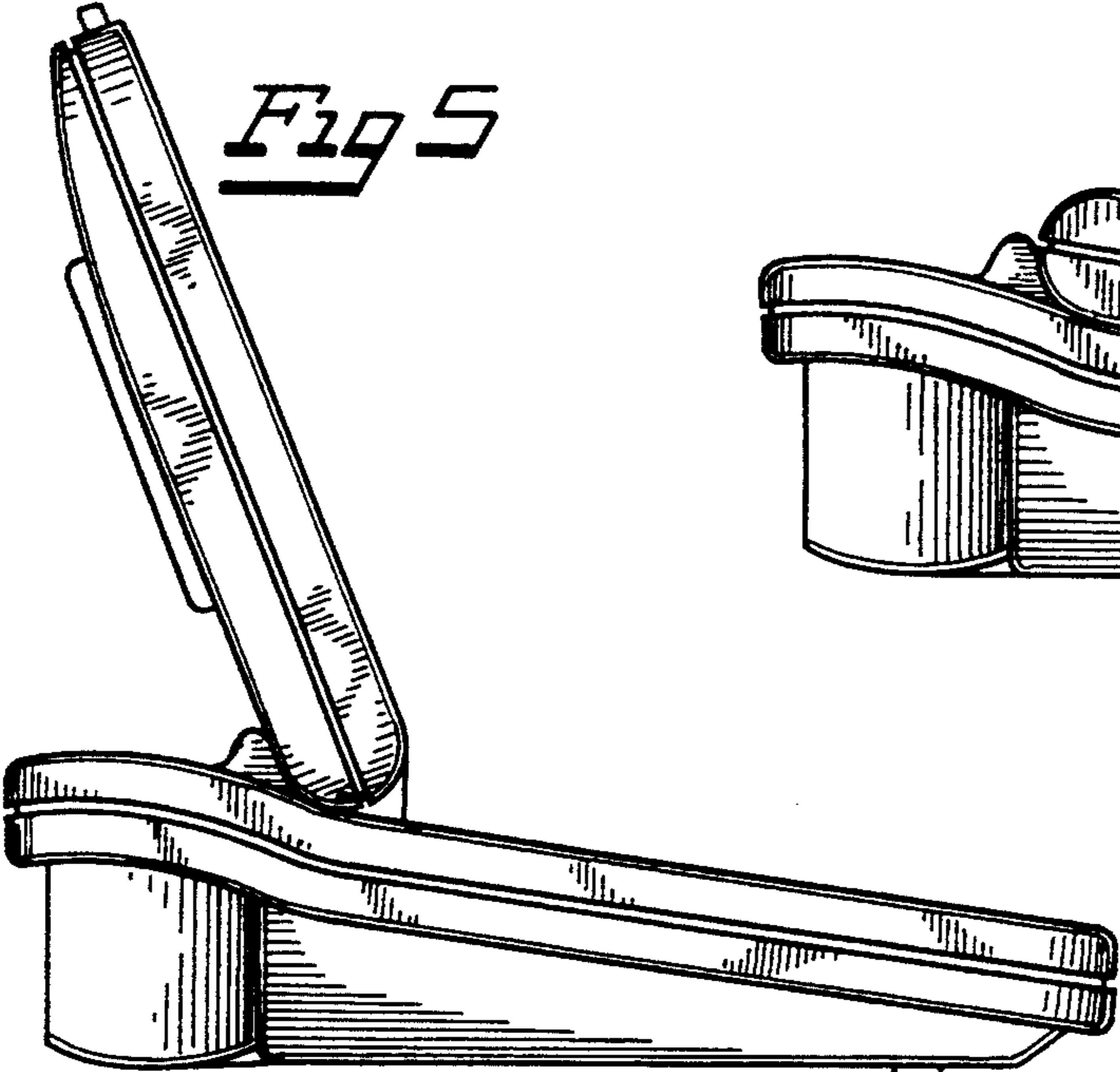


Fig 7

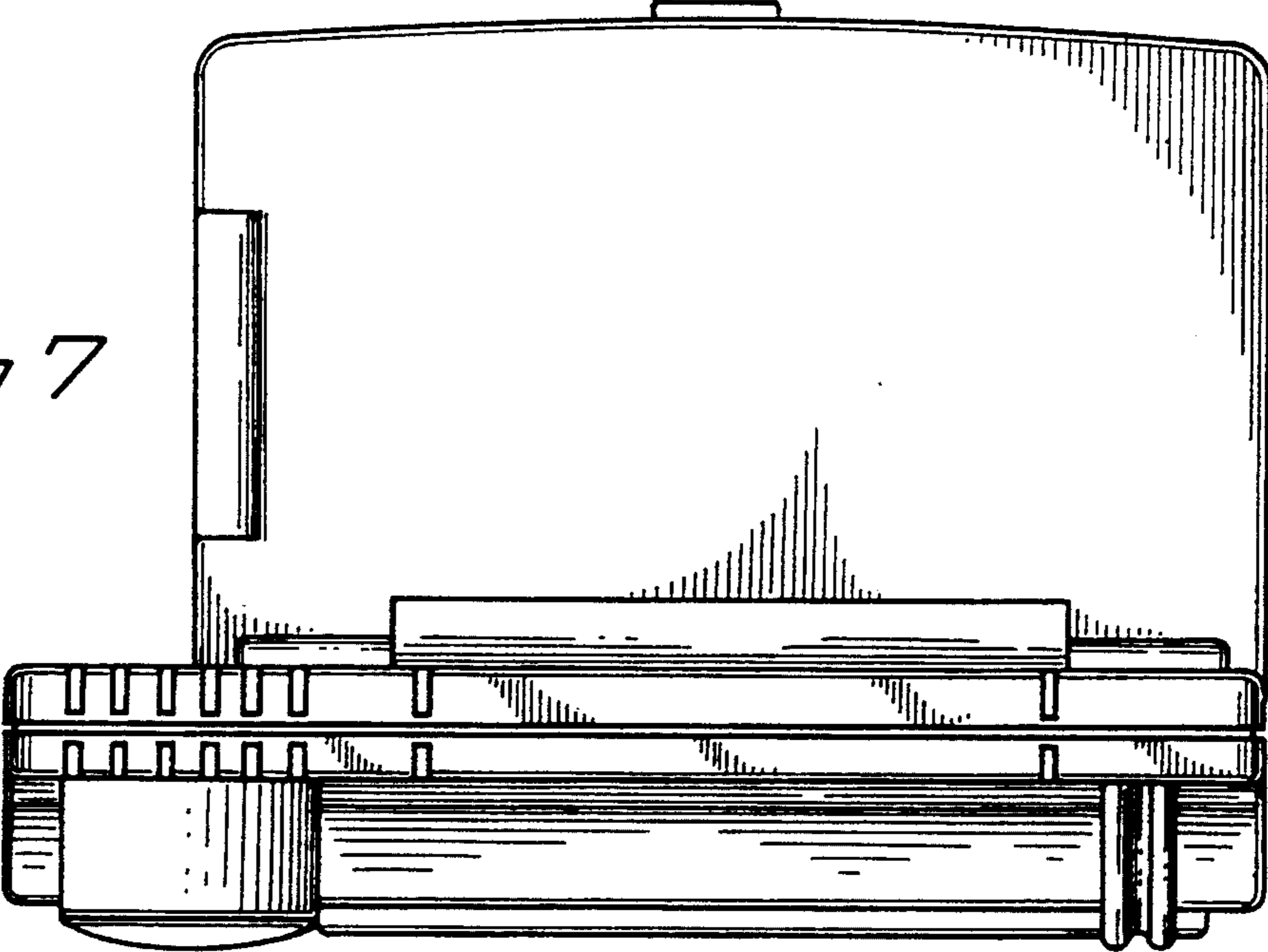


Fig 8

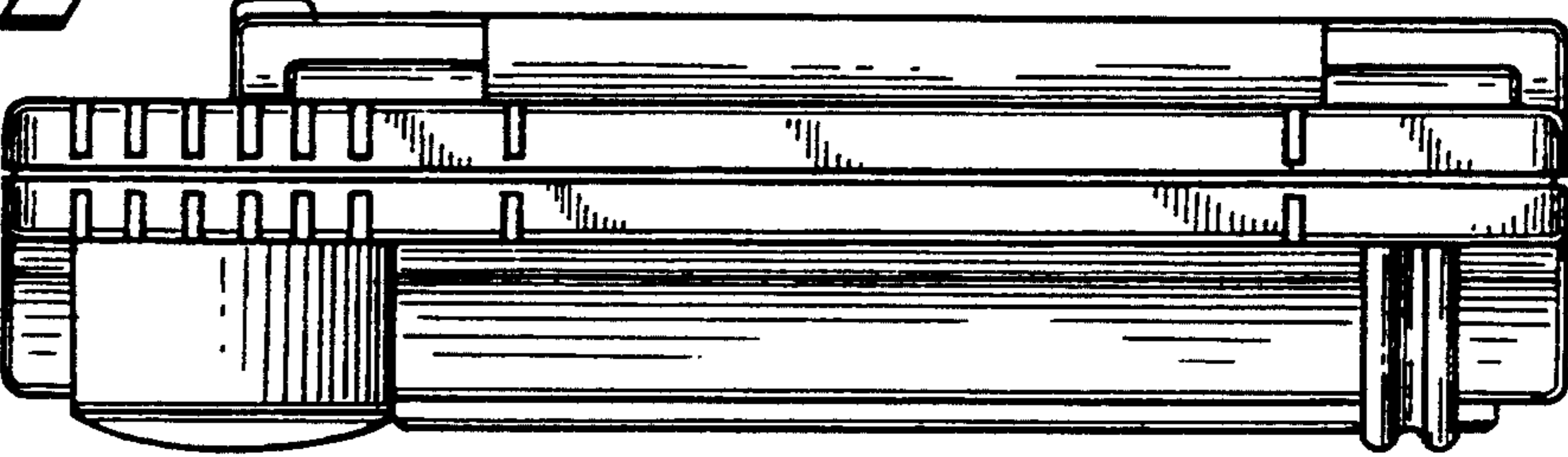


Fig 9

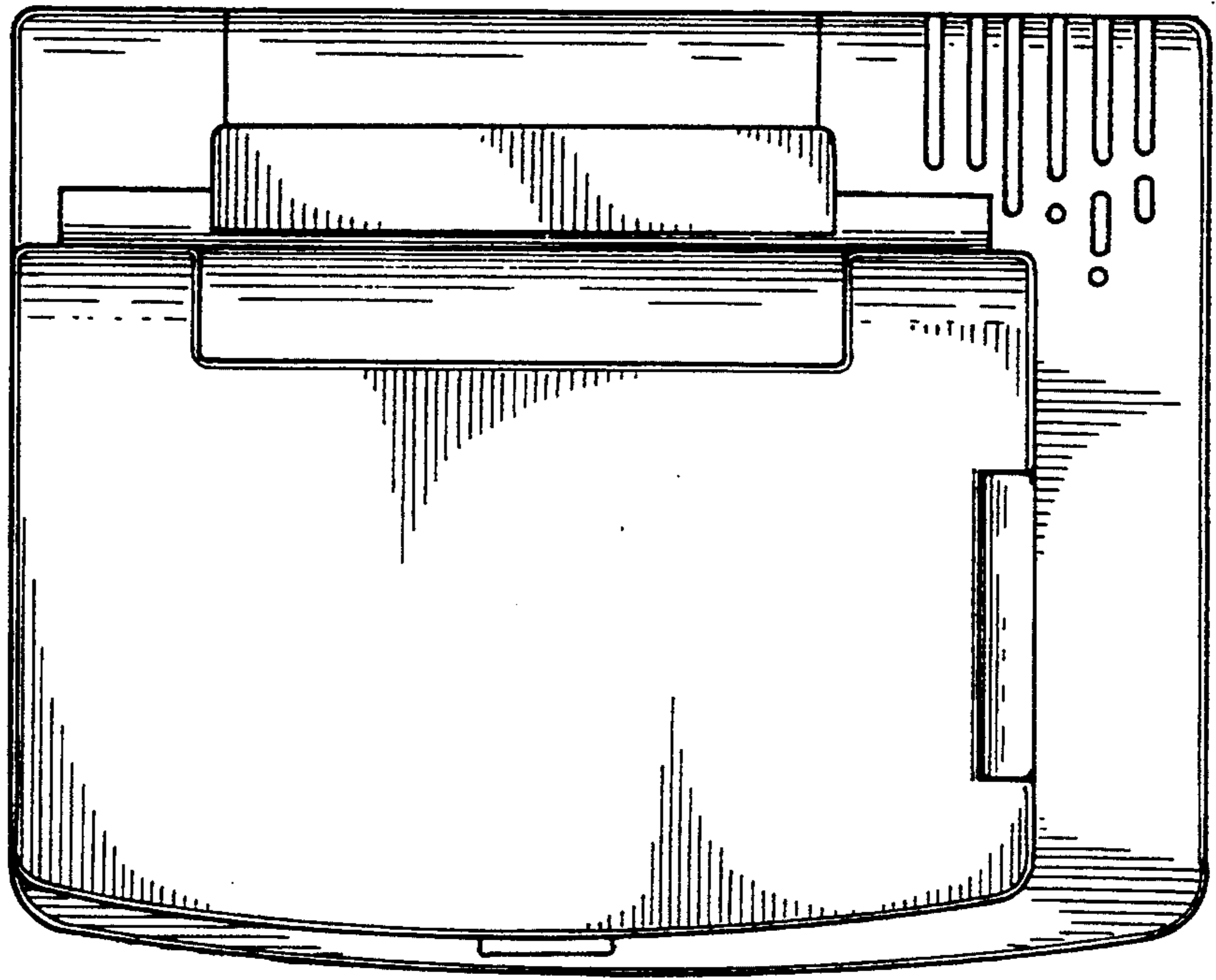


Fig 10

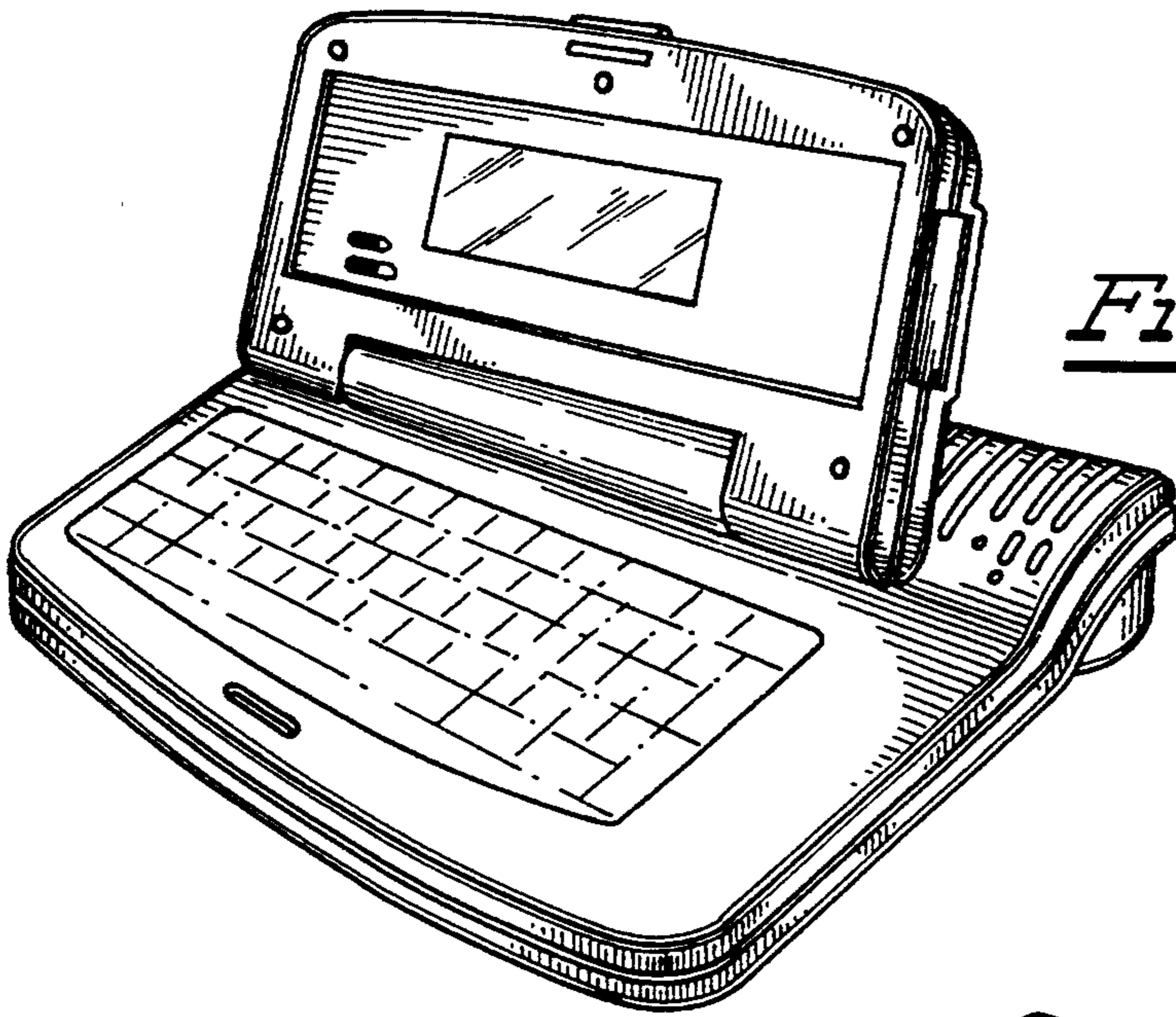


Fig 11

