



US00D349296S

United States Patent [19]

[11] Patent Number: **Des. 349,296**

Ichiyoshi

[45] Date of Patent: **** Aug. 2, 1994**

[54] **PORTABLE PANHEAD FOR BROADCAST CAMERA**

D. 230,082 1/1974 Adams D16/242
4,473,177 9/1984 Parandes 354/293
4,732,357 3/1988 Lindsay 248/185

[75] Inventor: **Hiroyuki Ichiyoshi, Kawasaki, Japan**

[73] Assignee: **Canon Kabushiki Kaisha, Tokyo, Japan**

[**] Term: **14 Years**

[21] Appl. No.: **3,909**

[22] Filed: **Jan. 21, 1993**

[30] **Foreign Application Priority Data**

Jul. 28, 1992 [JP] Japan 4-22542

[52] U.S. Cl. **D16/242**

[58] Field of Search 224/908; 248/185, 187; 354/81, 82, 293; D16/237, 242, 243, 244, 245

[56] **References Cited**

U.S. PATENT DOCUMENTS

D. 226,135 1/1973 Horn et al. D16/242

Primary Examiner—Bernard Ansher
Assistant Examiner—Adir Aronovich
Attorney, Agent, or Firm—Fitzpatrick, Cella, Harper & Scinto

[57] **CLAIM**

The ornamental design for a portable panhead for broadcast camera, as shown and described.

DESCRIPTION

FIG. 1 is a front elevational view of a portable panhead for broadcast camera showing my new design; FIG. 2 is a rear elevational view thereof; FIG. 3 is a top plan view thereof; FIG. 4 is a bottom plan view thereof; FIG. 5 is a left side elevational view thereof; FIG. 6 is a right side elevational view thereof; and, FIG. 7 is a perspective view thereof.

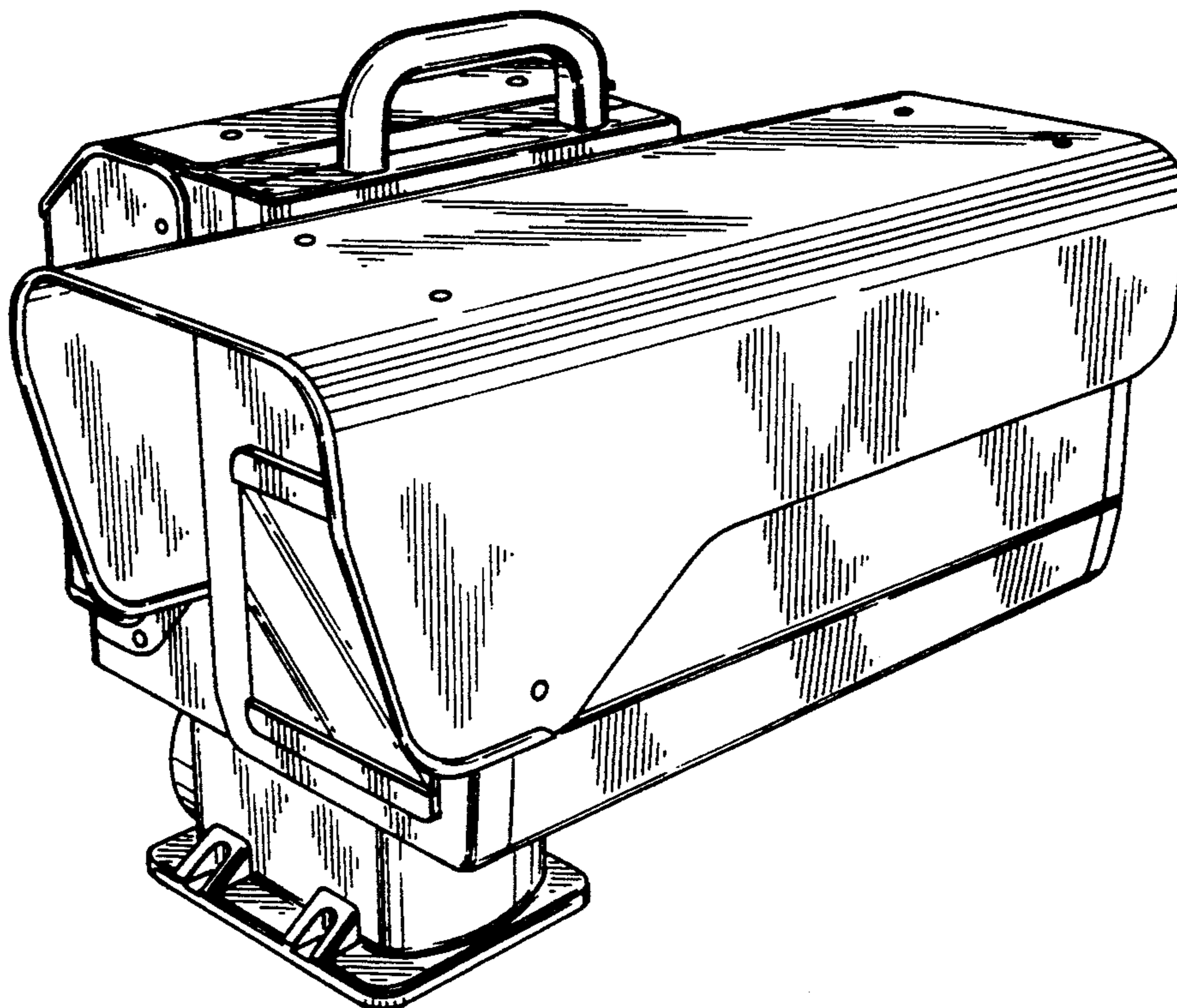


FIG. 1

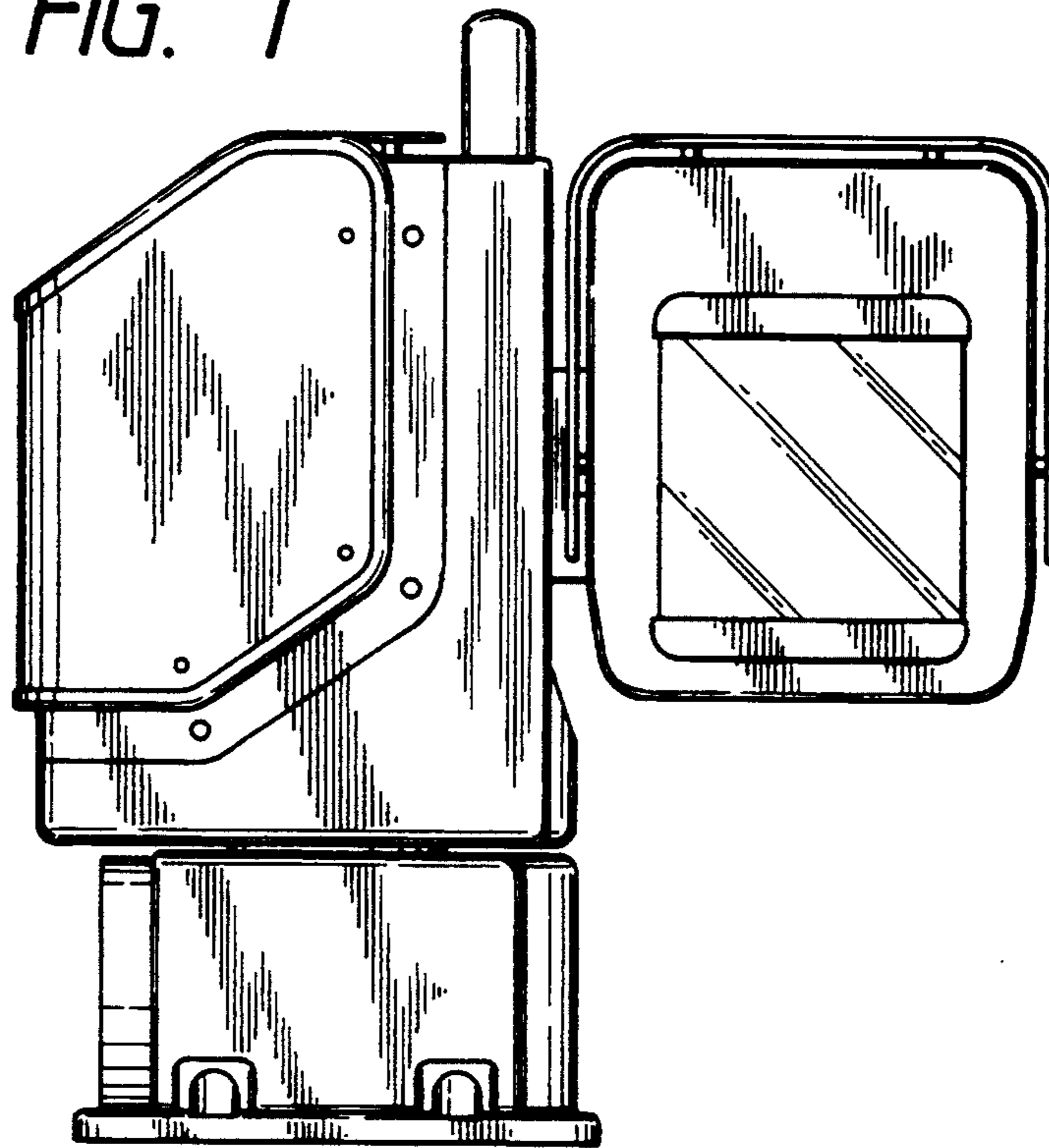


FIG. 2

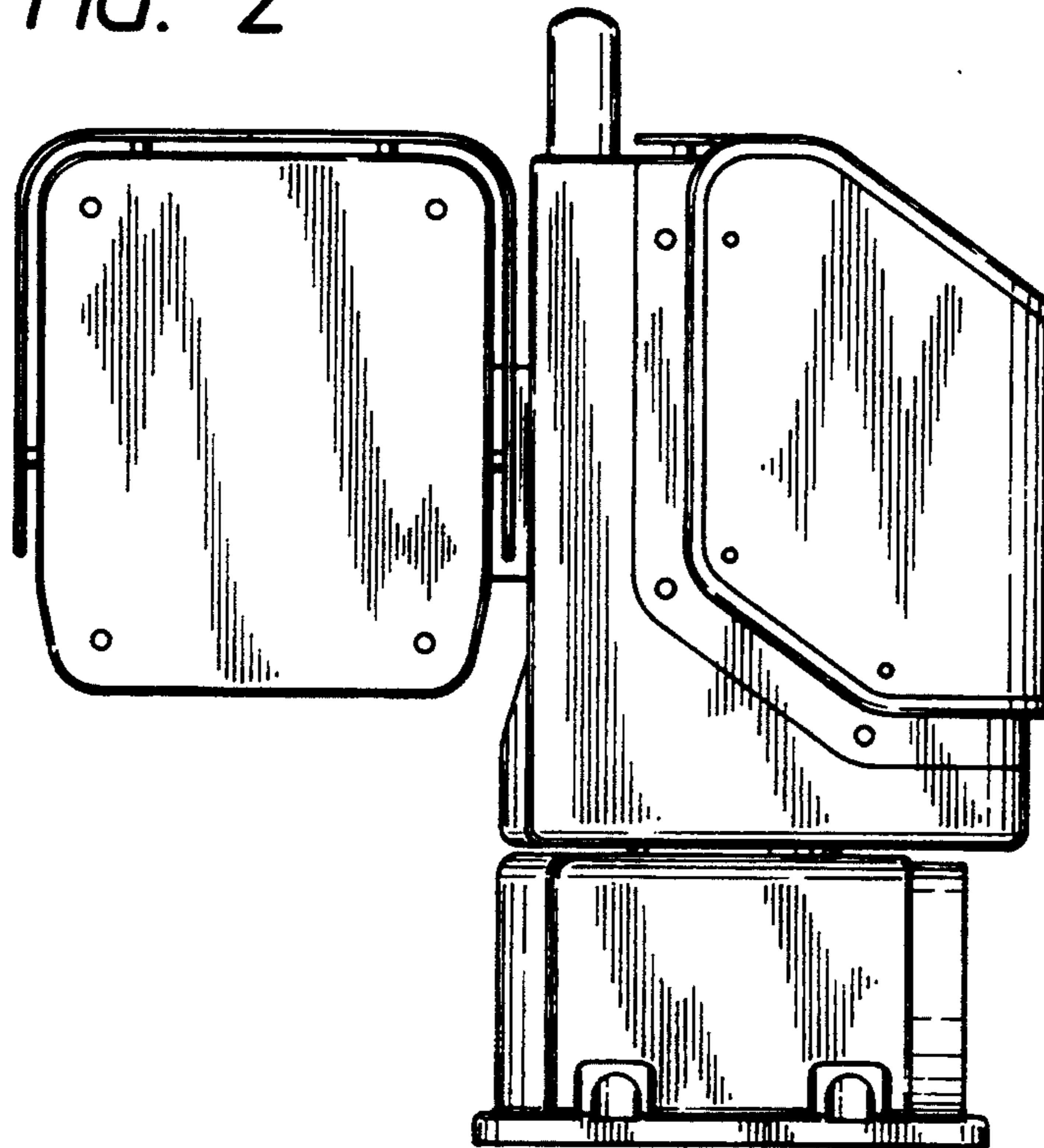


FIG. 3

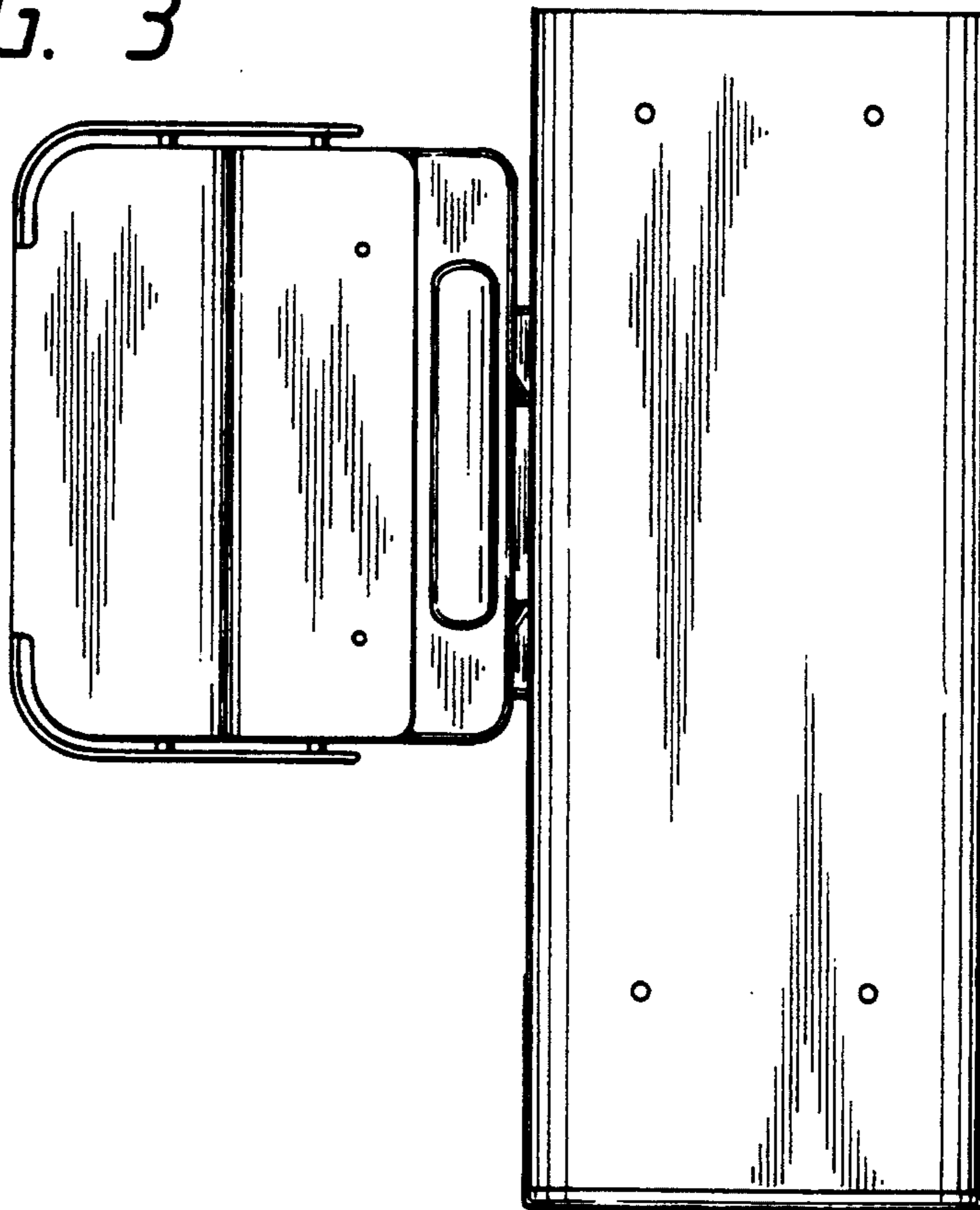


FIG. 4

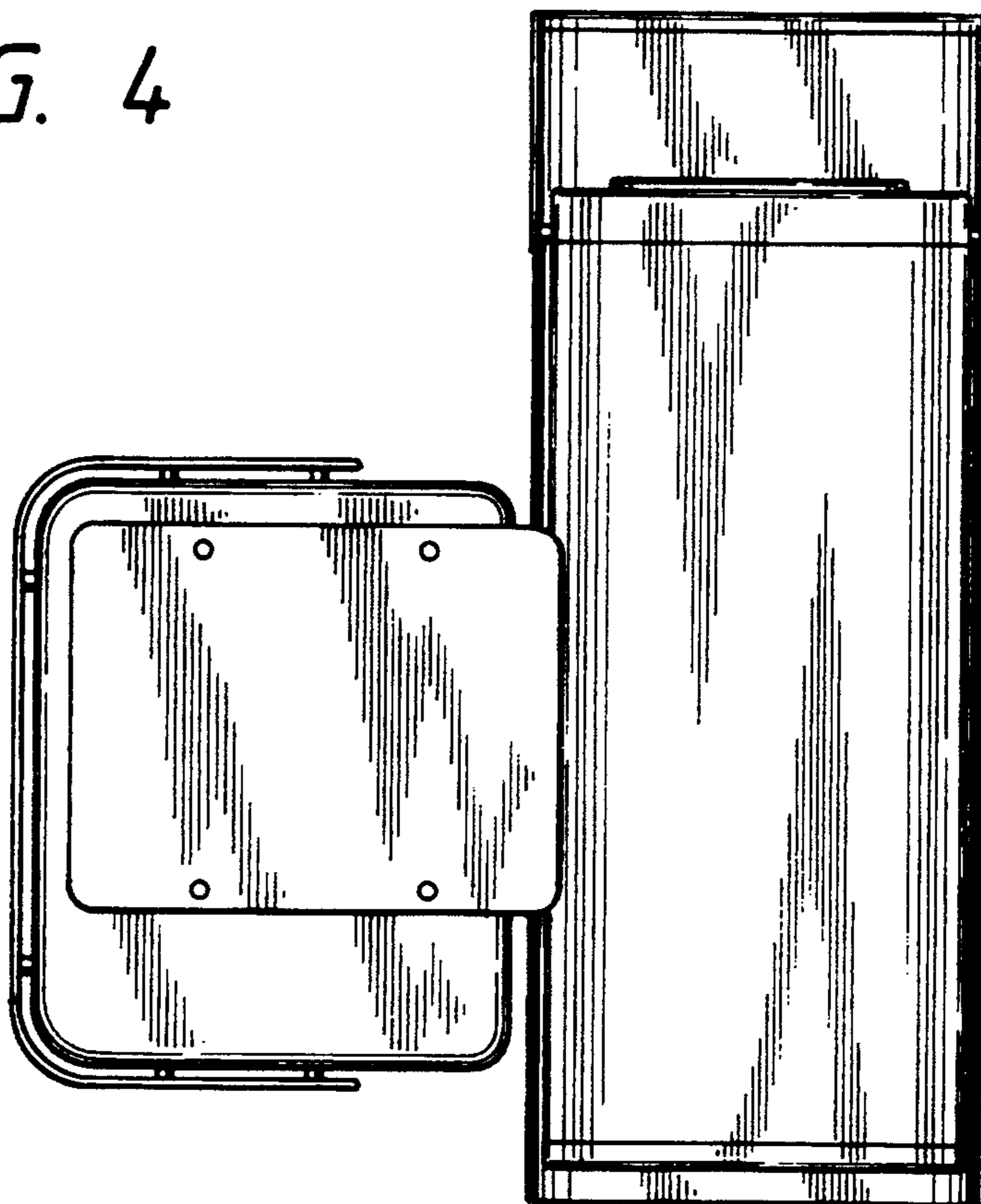


FIG. 5

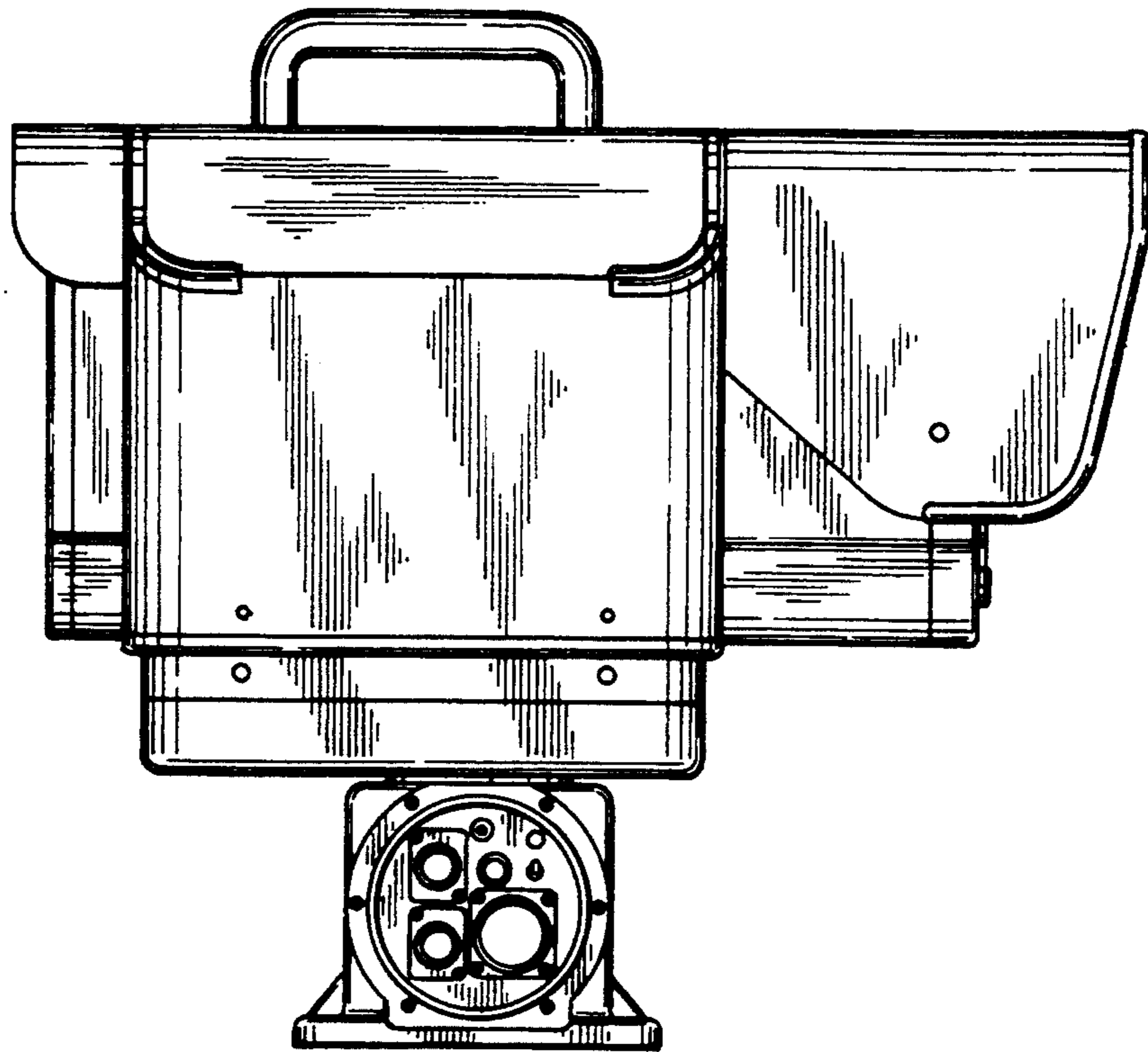


FIG. 6

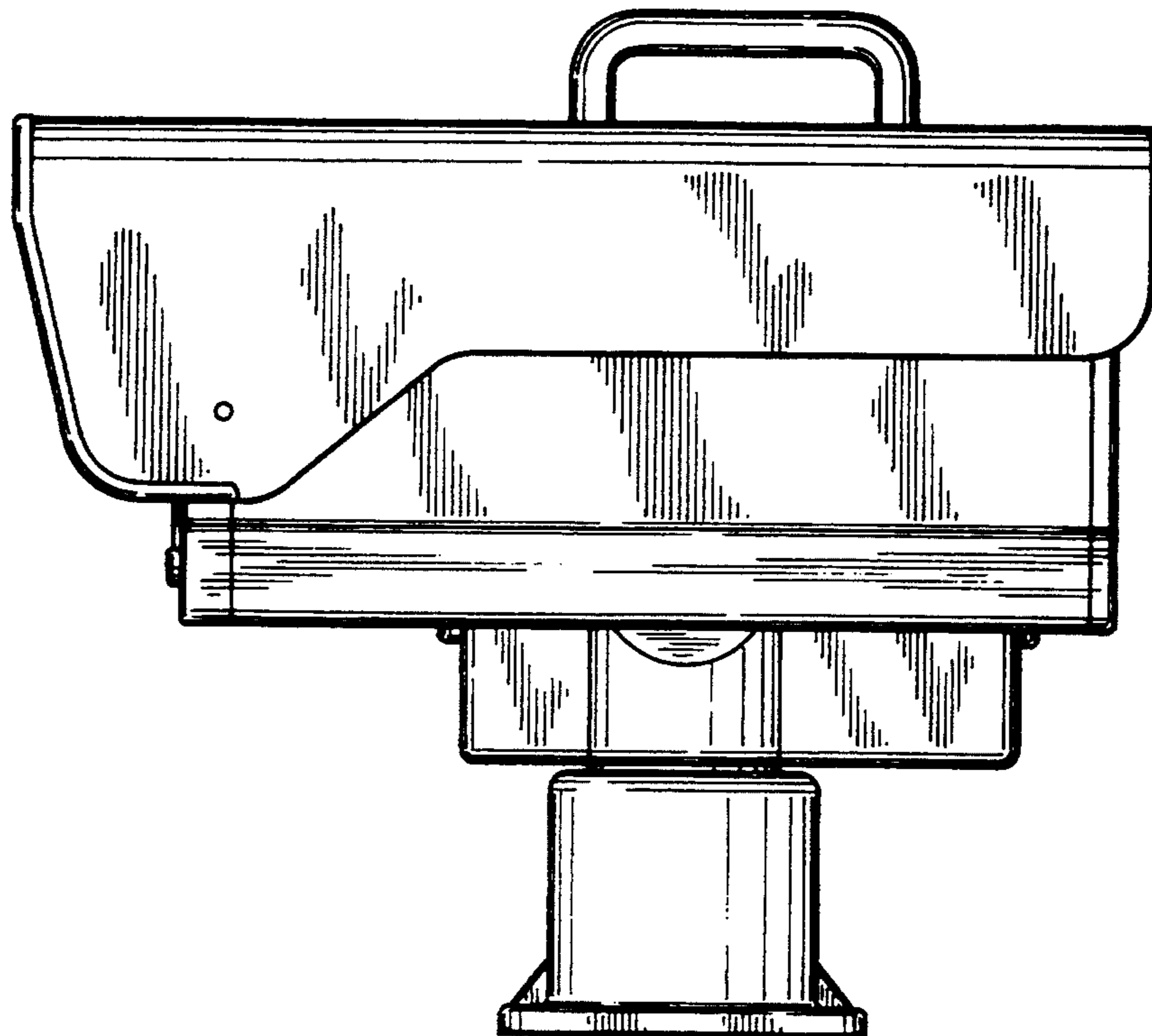


FIG. 7

