



US00D349295S

# United States Patent [19]

[11] Patent Number: **Des. 349,295**

**Weidemann**

[45] Date of Patent: **\*\* Aug. 2, 1994**

## [54] POCKET MICROSCOPE

[76] Inventor: **Peter Weidemann**, Dingstätte 34,  
2080 Pinneberg, Fed. Rep. of  
Germany

[\*\*] Term: **14 Years**

[21] Appl. No.: **829,889**

[22] Filed: **Feb. 3, 1992**

Yak Works Catalog; Fall/Winter 1982/83; p. 27;  
Tele-Micro-Scope by Haya.

*Primary Examiner*—Cathy Anne MacCormac  
*Attorney, Agent, or Firm*—Nils H. Ljungman &  
Associates

## [57] CLAIM

The ornamental design of a pocket microscope, as shown and described.

## DESCRIPTION

FIG. 1 is a front elevational view of a pocket microscope showing my new design;  
FIG. 2 is a rear elevational view thereof;  
FIG. 3 is a front perspective view thereof;  
FIG. 4 is a top plan view thereof;  
FIG. 5 is a bottom plan view thereof;  
FIG. 6 is a side elevational view thereof, the opposite side being a mirror image of the side shown;  
FIG. 7 is a front elevational view of second embodiment of a pocket microscope showing my new design;  
FIG. 8 is a rear elevational view of the embodiment shown in FIG. 7;  
FIG. 9 is a front perspective view of the embodiment shown in FIG. 7;  
FIG. 10 is a top plan view of the embodiment shown in FIG. 7;  
FIG. 11 is a bottom plan view of the embodiment shown in FIG. 7;  
FIG. 12 is a side elevational view of the embodiment shown in FIG. 7, the opposite side being a mirror image of the side shown;  
FIG. 13 is a front elevational view of third embodiment of a pocket microscope showing my new design;  
FIG. 14 is a rear elevational view of the embodiment shown in FIG. 13;  
FIG. 15 is a front perspective view of the embodiment shown in FIG. 13;  
FIG. 16 is a side elevational view of the embodiment shown in FIG. 13, the opposite side being a mirror image of the side shown;  
FIG. 17 is a top plan view of the embodiment shown in FIG. 13; and,  
FIG. 18 is a bottom plan view of the embodiment shown in FIG. 13.

## Related U.S. Application Data

[63] Continuation-in-part of Ser. No. 830,198, Jan. 31, 1992, Pat. No. 5,267,087.

[52] U.S. Cl. .... **D16/131**

[58] Field of Search ..... 359/368, 385;  
D16/130-136

## [56] References Cited

### U.S. PATENT DOCUMENTS

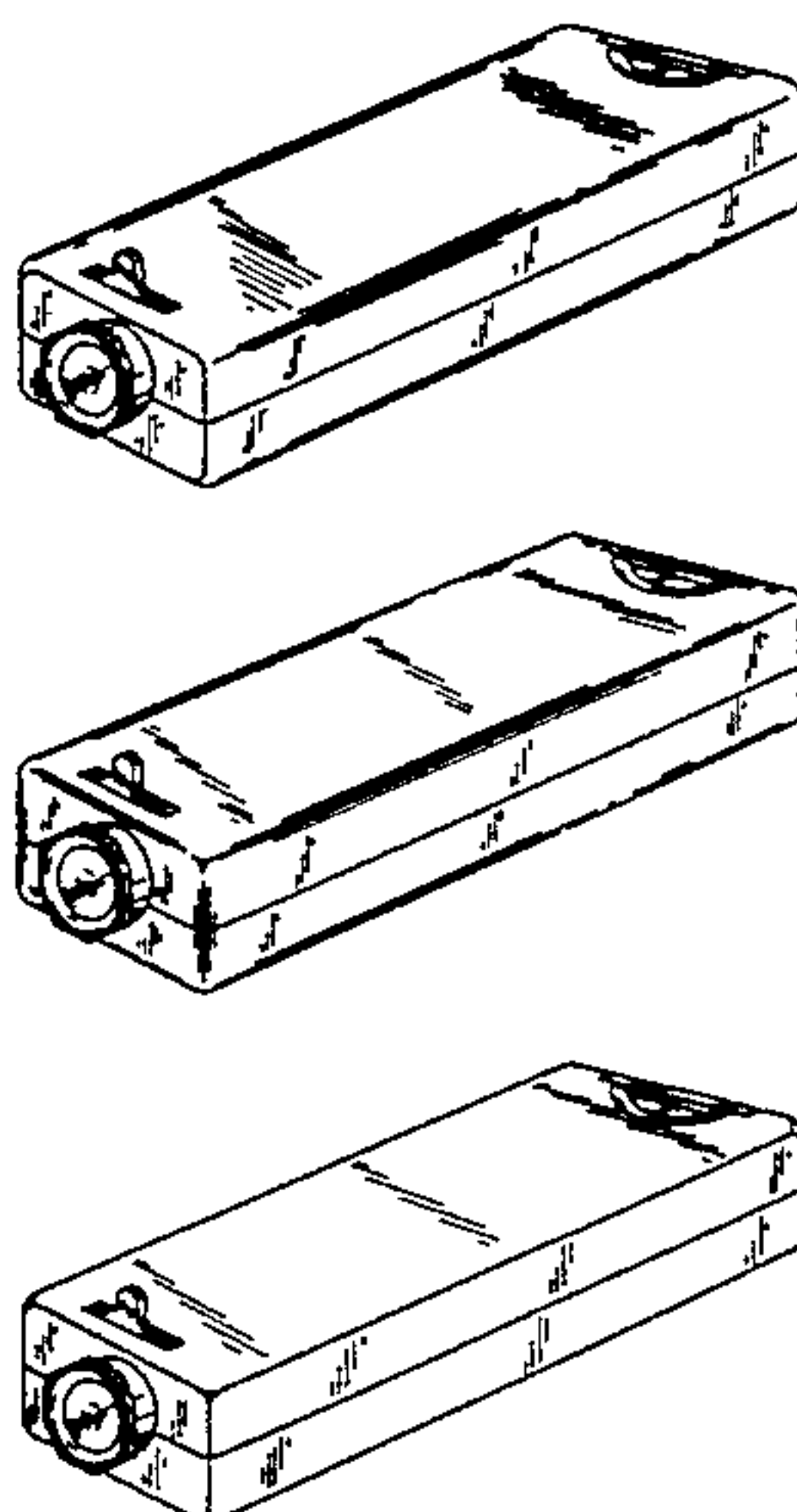
D. 256,250	8/1980	Tosaw	.....	D16/130
D. 331,934	12/1992	Tak	.....	D16/131
3,582,181	6/1981	Dolores	.....	359/385
4,361,377	11/1982	Pullen	.....	359/385
4,568,148	2/1986	Onanian	.....	D16/131
4,729,635	3/1988	Saferstein et al.	.....	D16/131
5,062,697	11/1991	Mitchell	.....	359/385

### FOREIGN PATENT DOCUMENTS

2076556 12/1981 United Kingdom ... D16/LD16 131

### OTHER PUBLICATIONS

The Sharper Image Catalog; Fall 1982; p. 47; Pocket Microscope by Panasonic "Lightscope".  
Yak Works Catalog; Fall/Winter 1982/83; p. 41; Pocket Tele/Magnifier by MagScope.  
Titan Tool Supply Company Inc. Brochure; Dec. 1985; Titan Zoom Microscope Model #210.  
Brookstone © 1983 Catalog; p. 38; Precision Monocular.  
Yak Works Catalog; Fall/Winter 1982/83; p. 41; Pocket Microscope.  
Cole-Parmer Instrument Company Catalog; 1989-90; P. 414 Pocket Microscope.



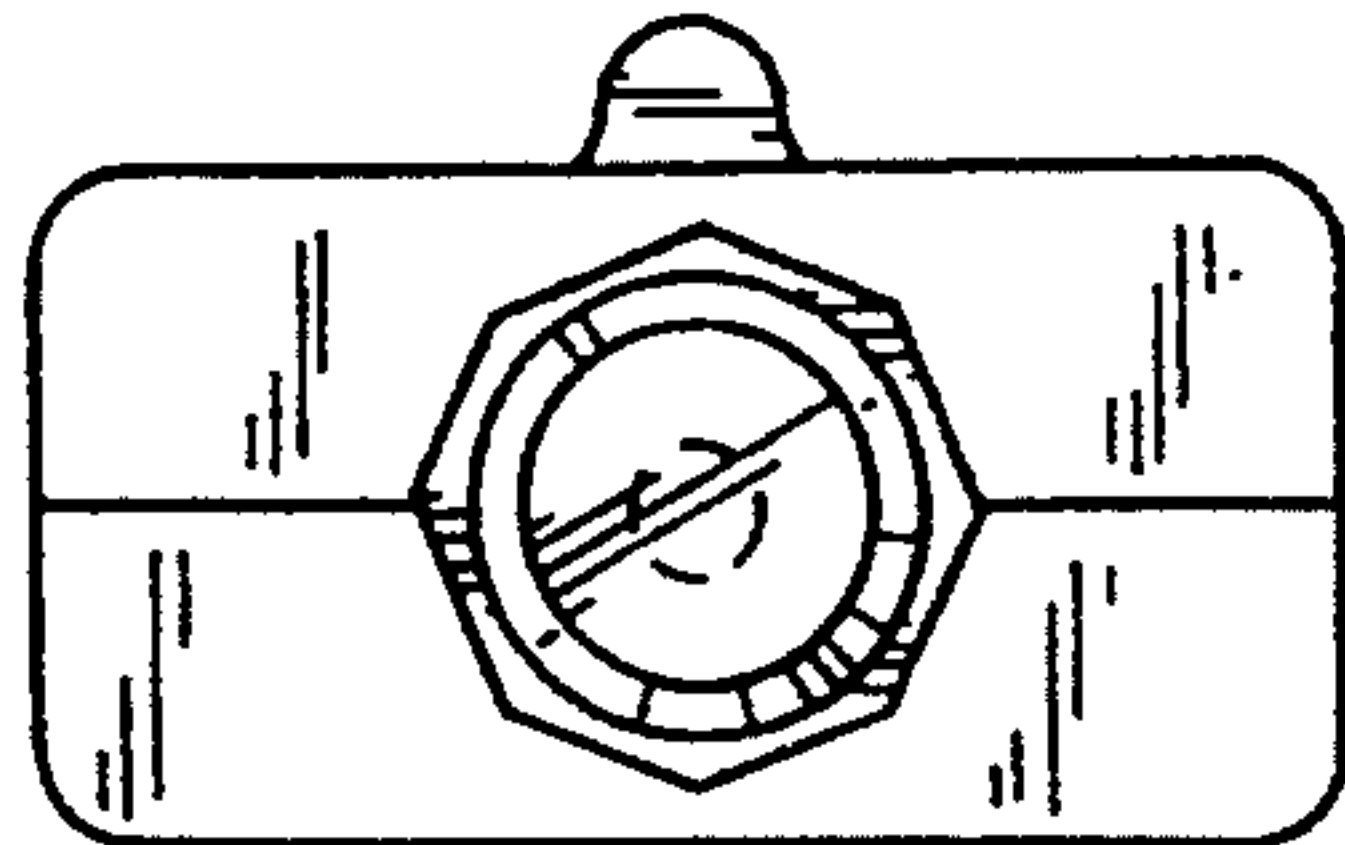


FIG. 1

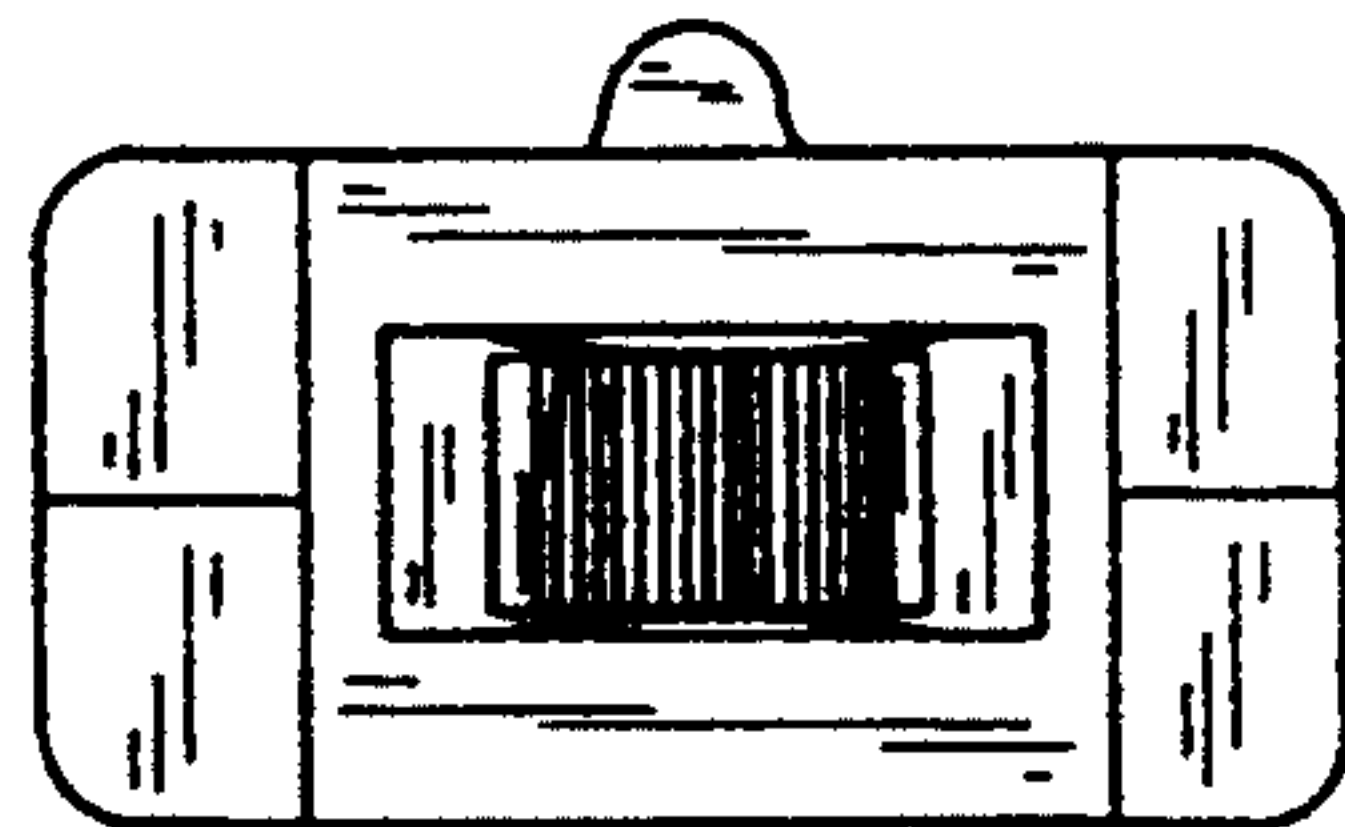


FIG. 2

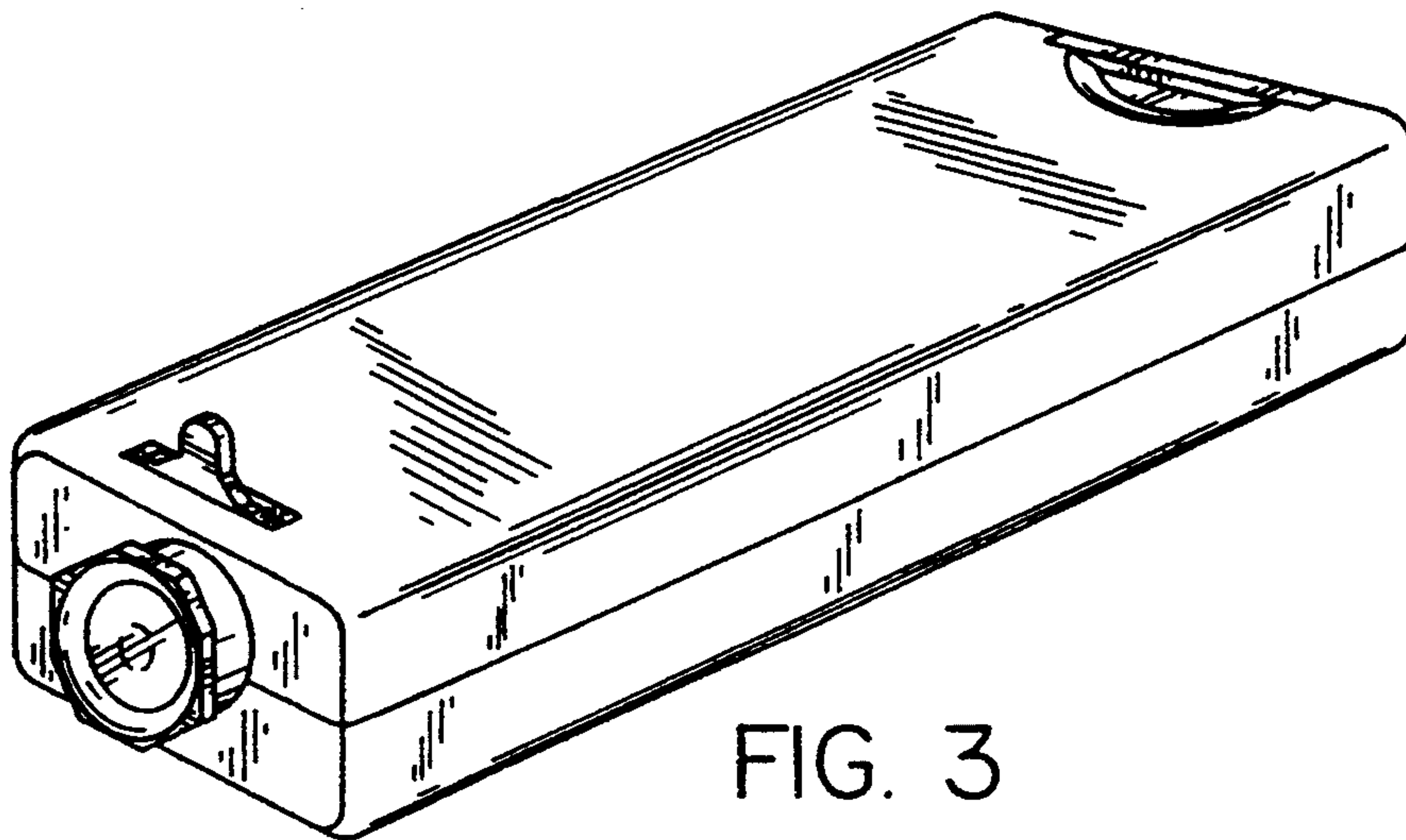


FIG. 3

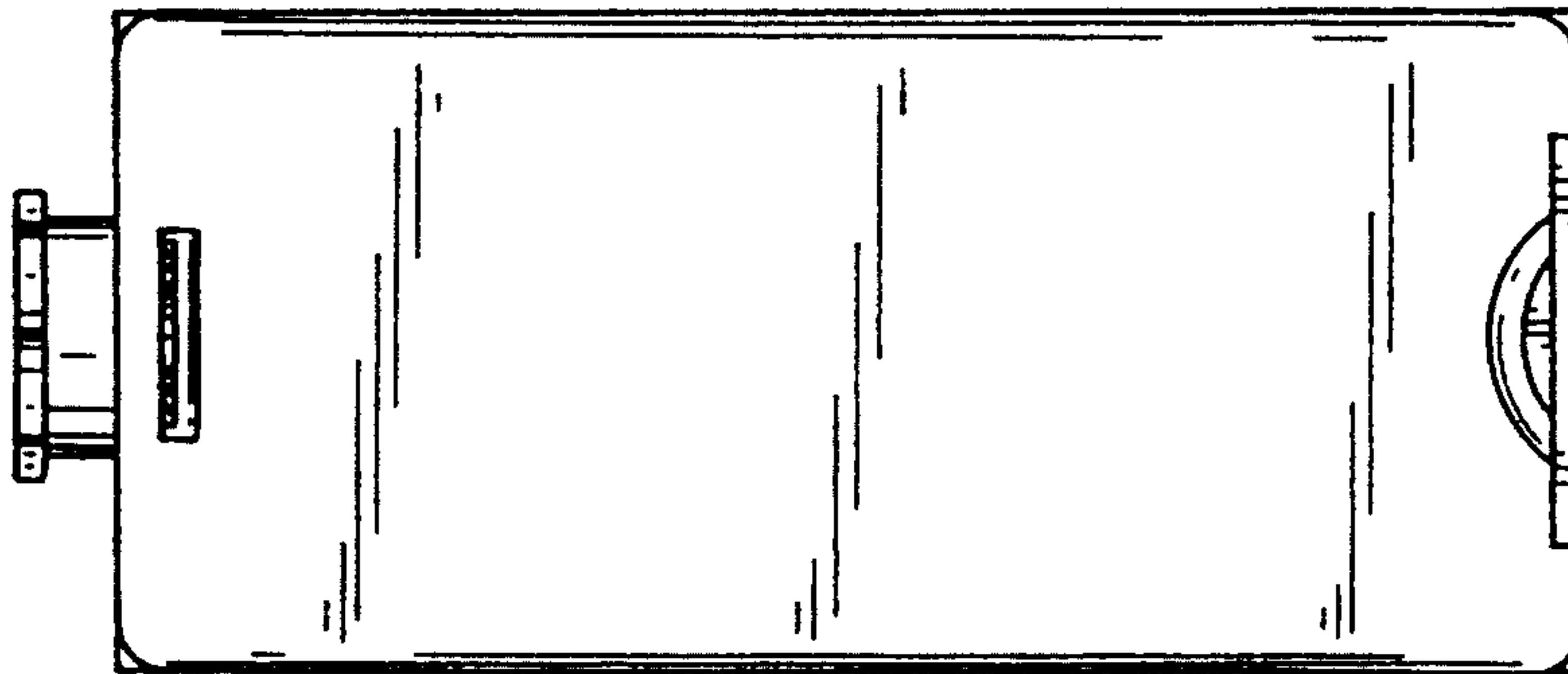


FIG. 4

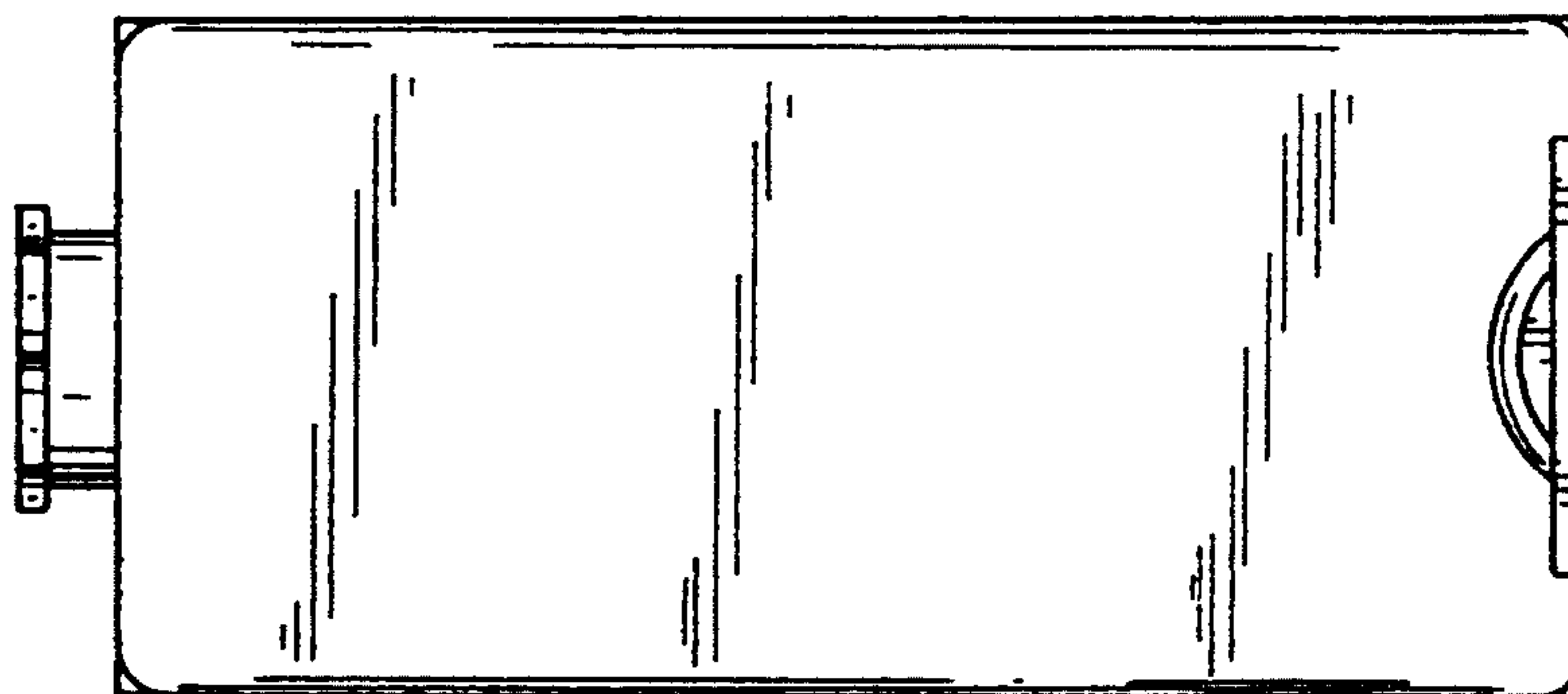


FIG. 5

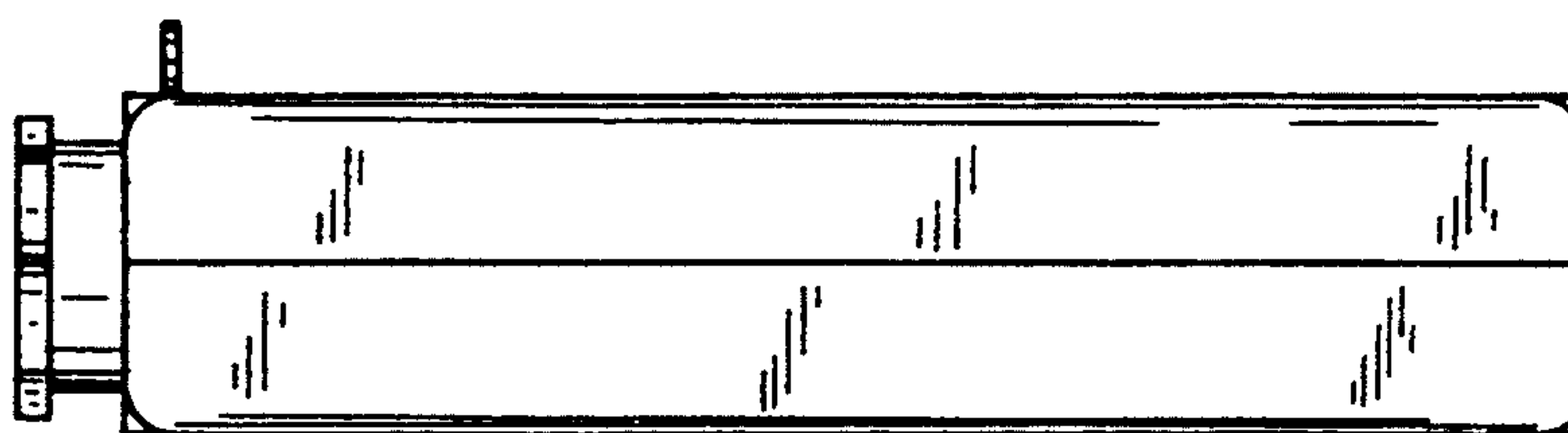


FIG. 6

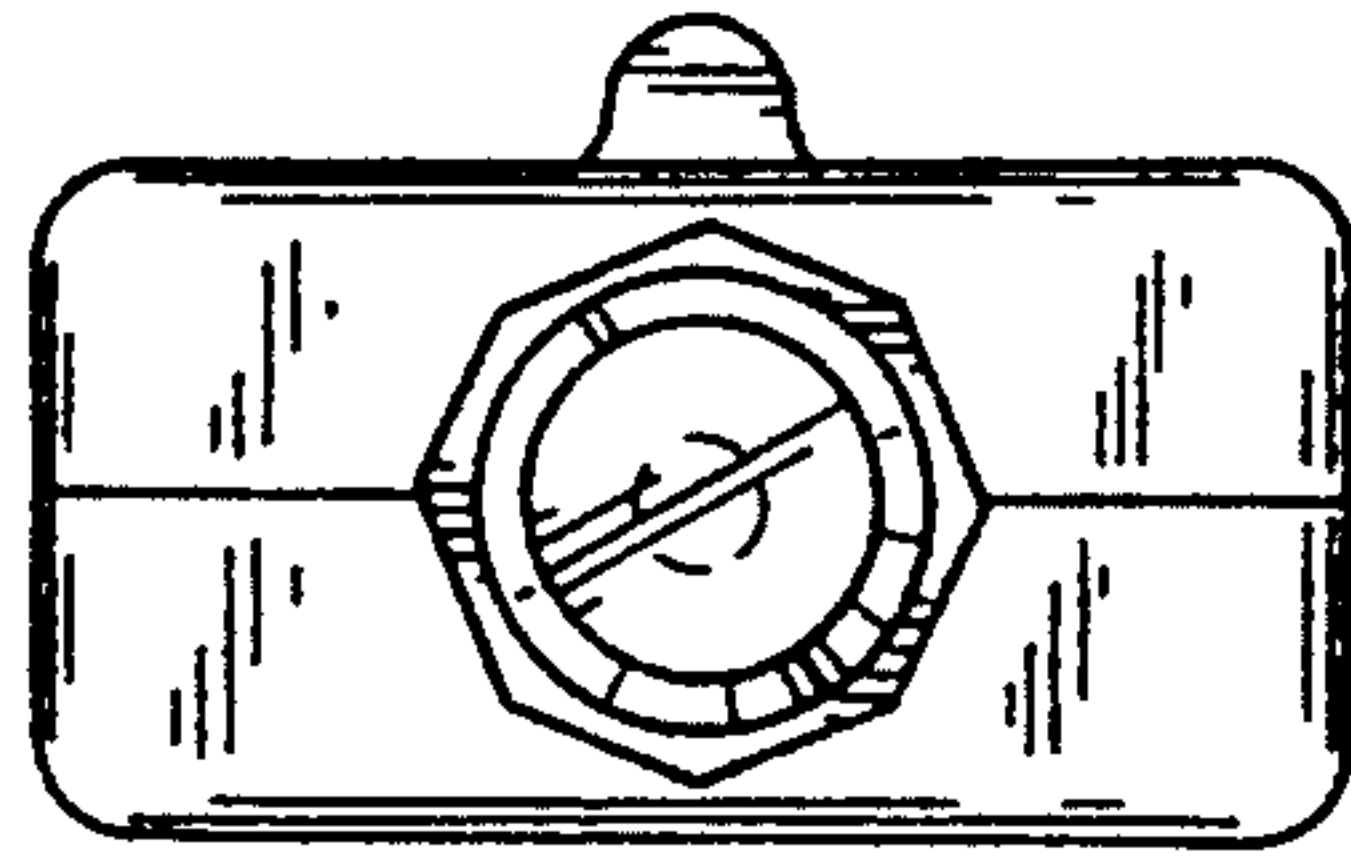


FIG. 7

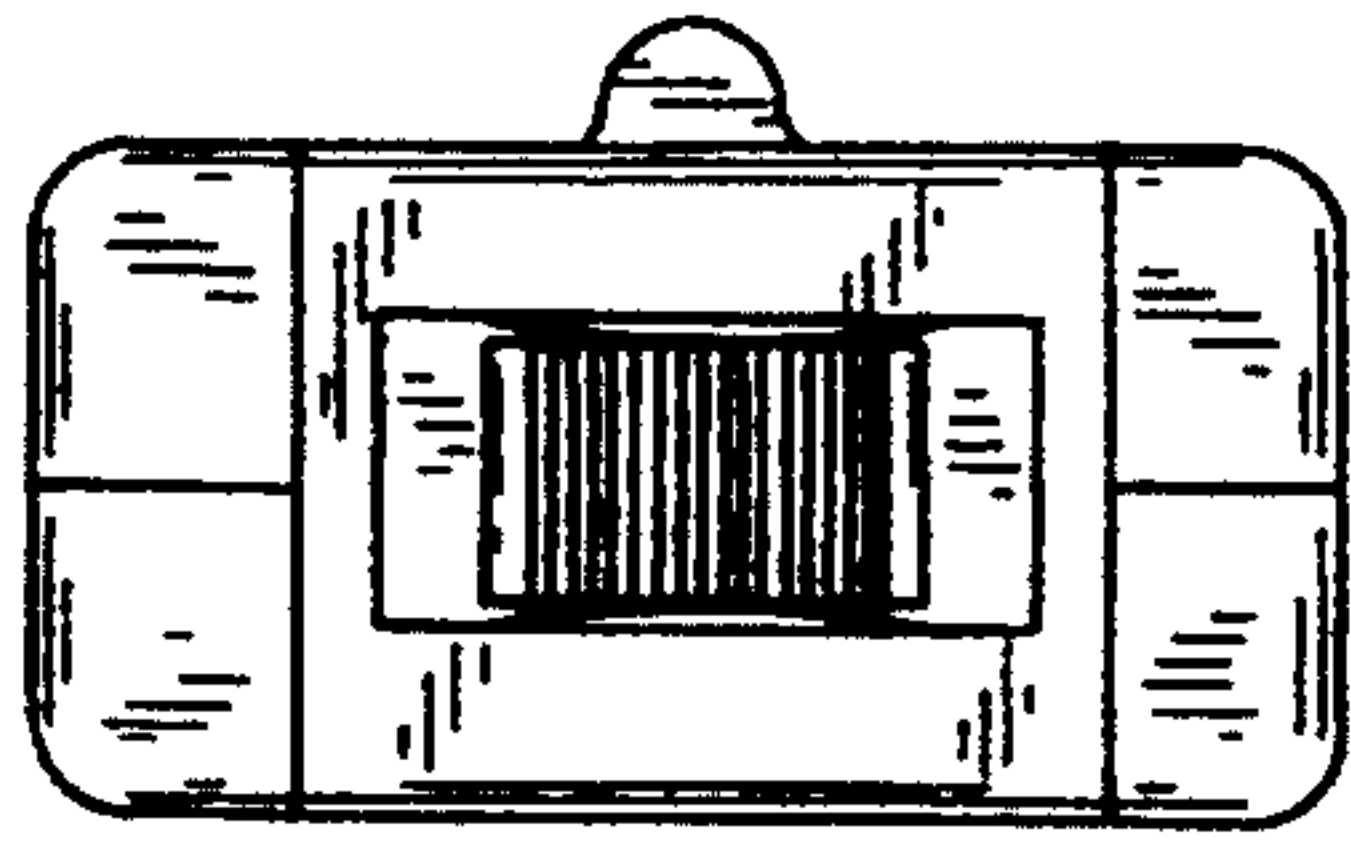


FIG. 8

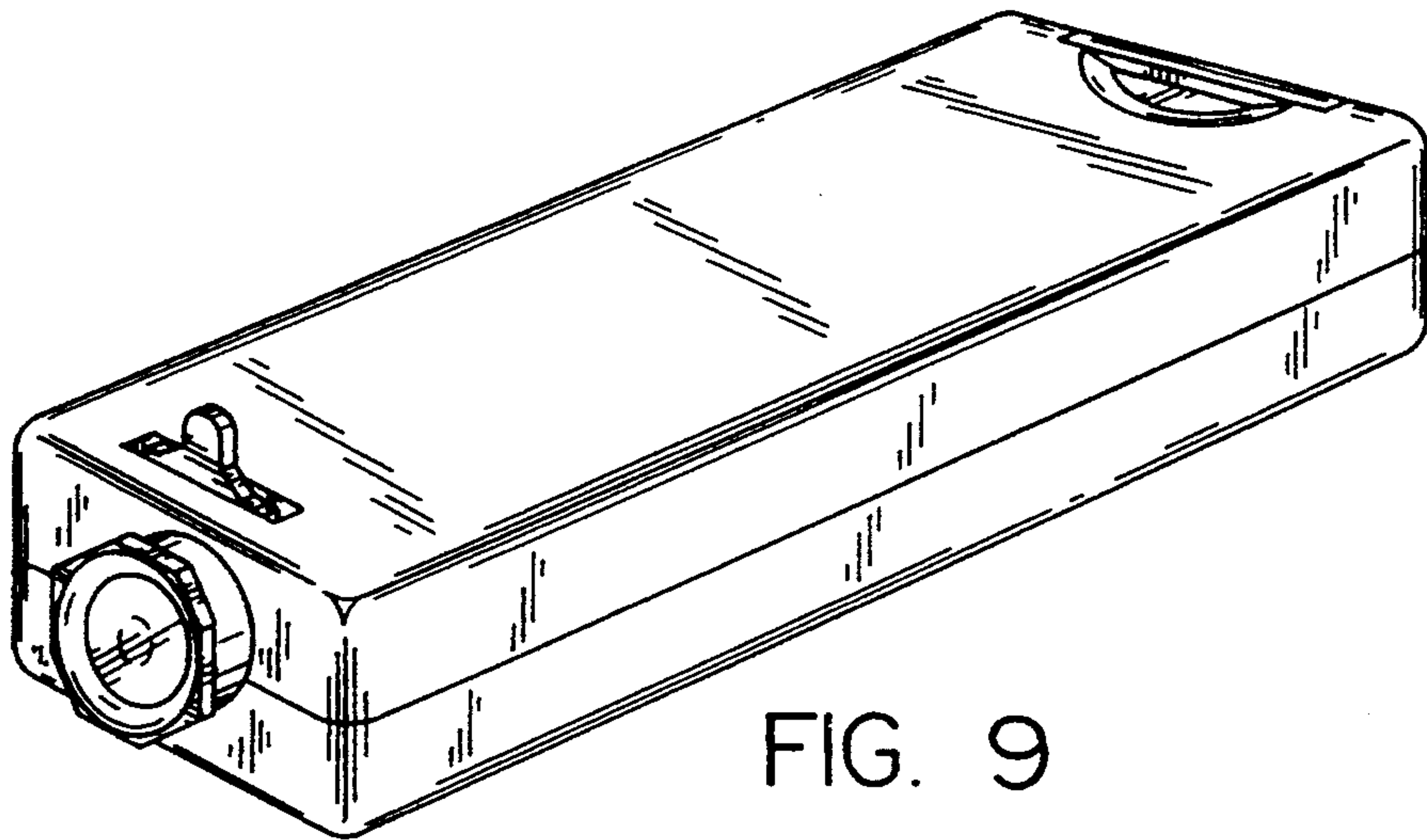


FIG. 9



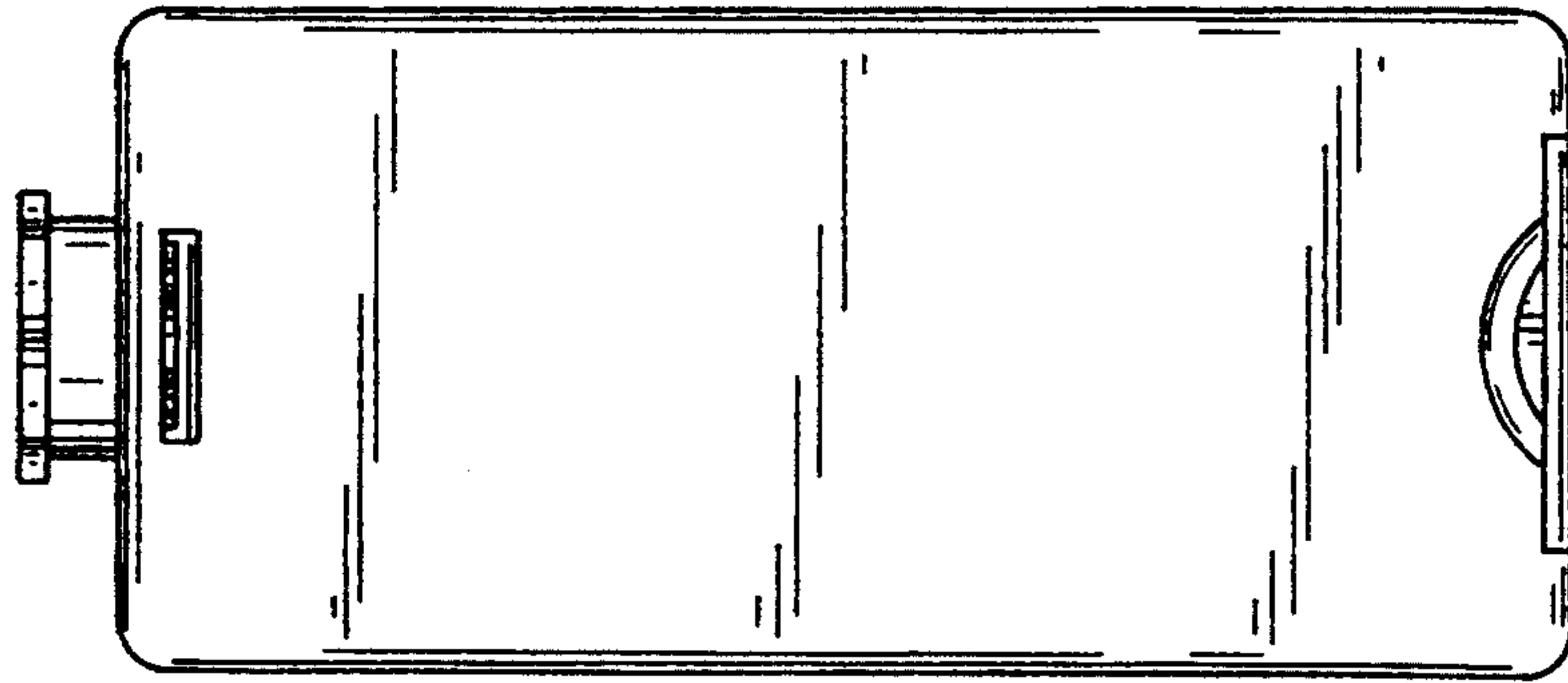


FIG. 10

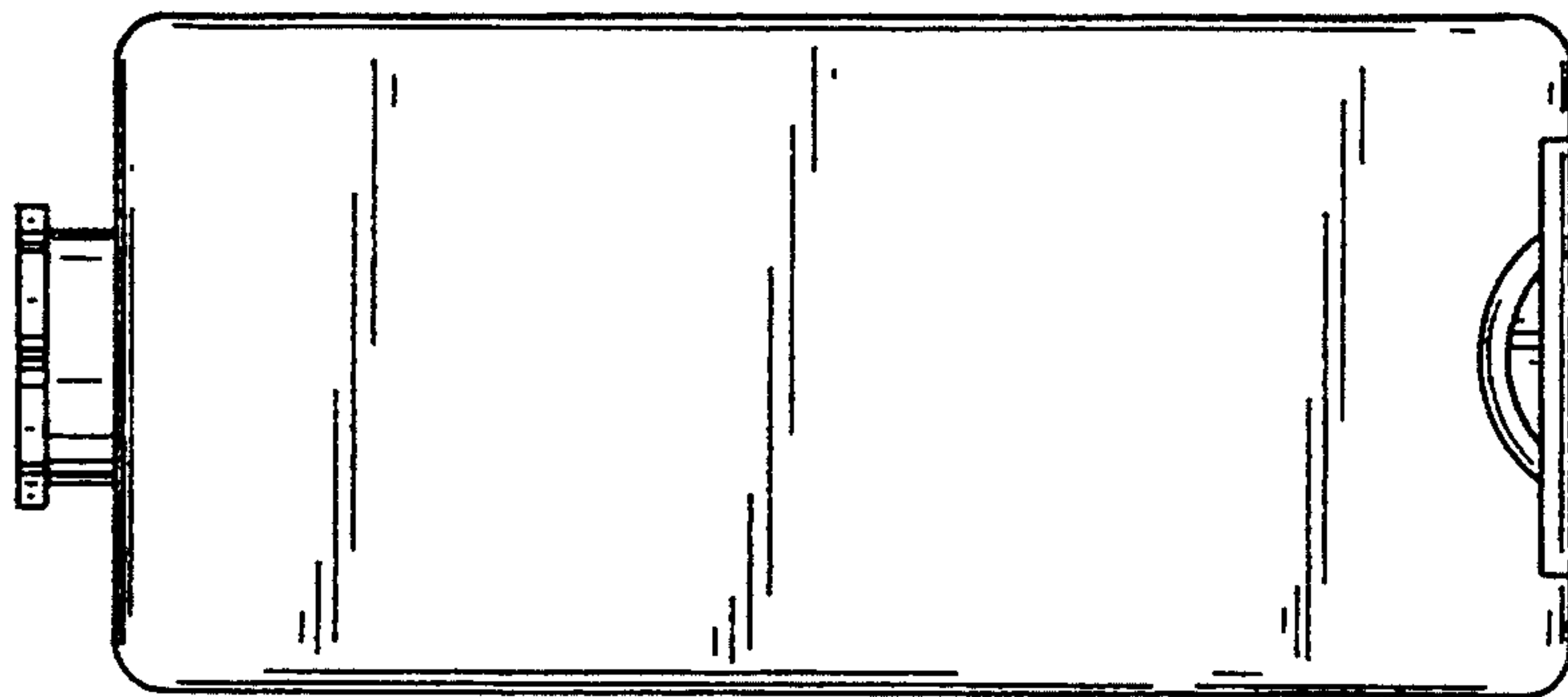


FIG. 11

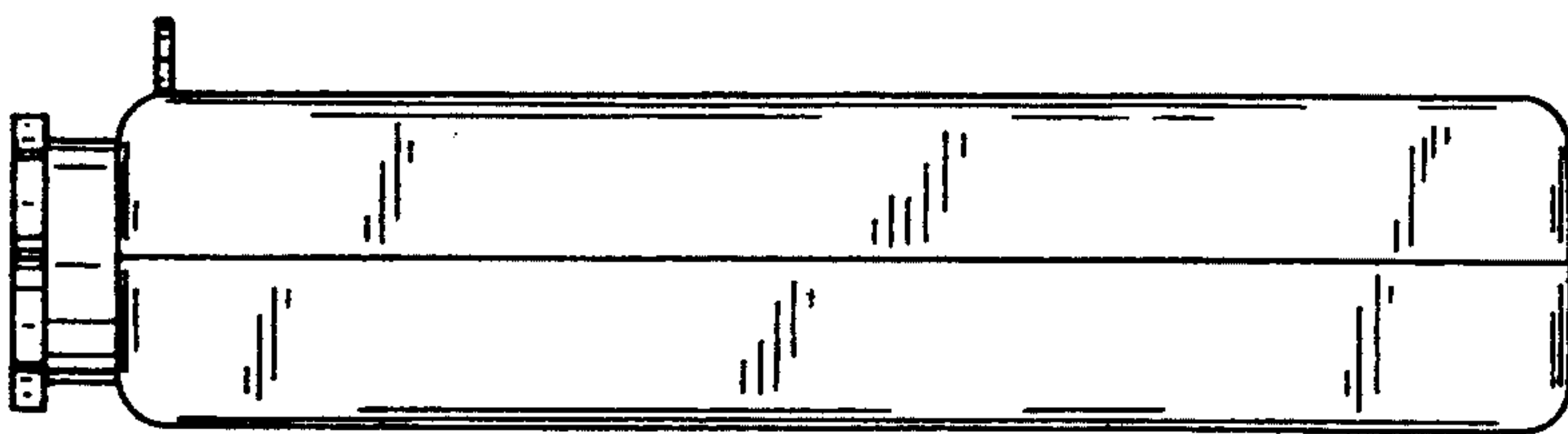


FIG. 12

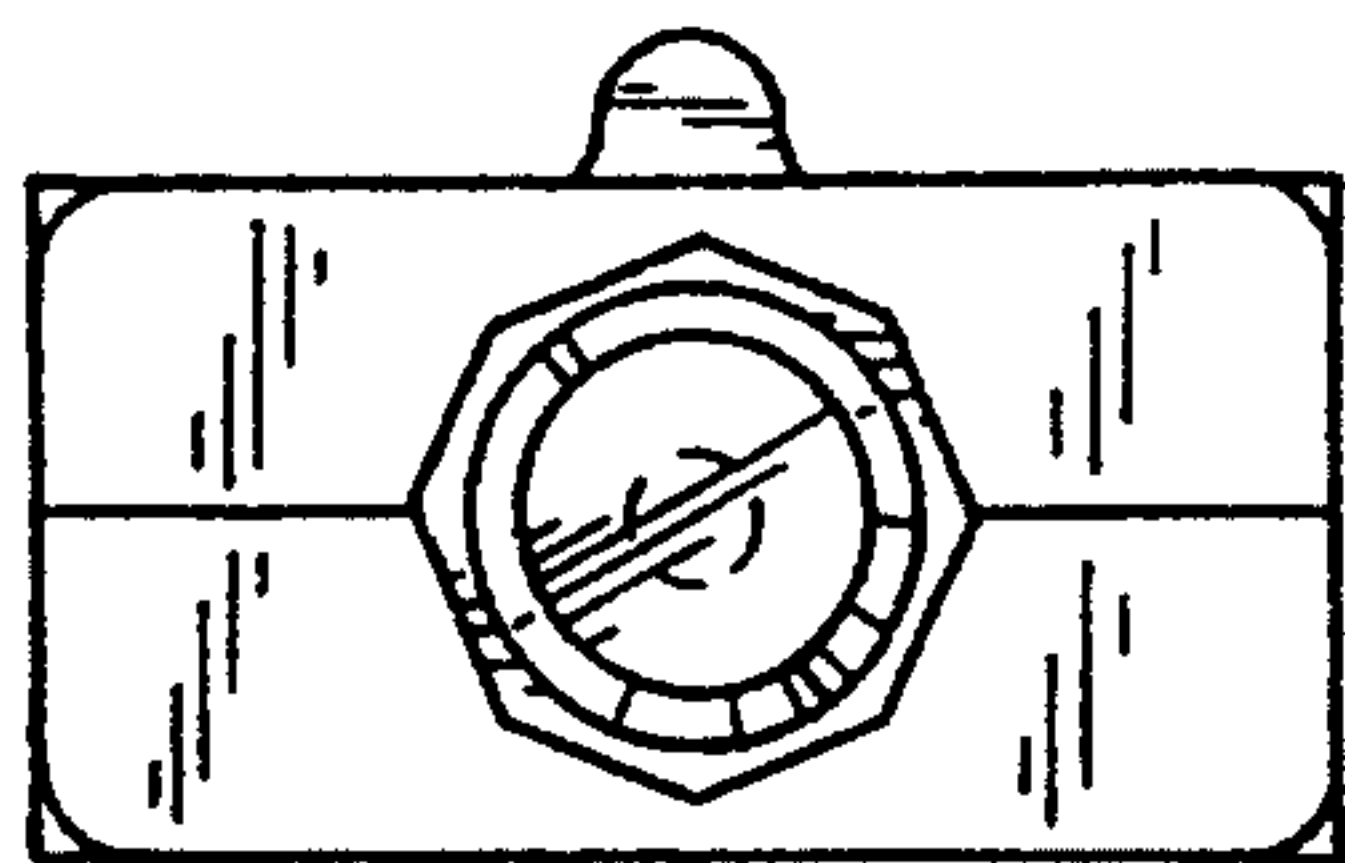


FIG. 13

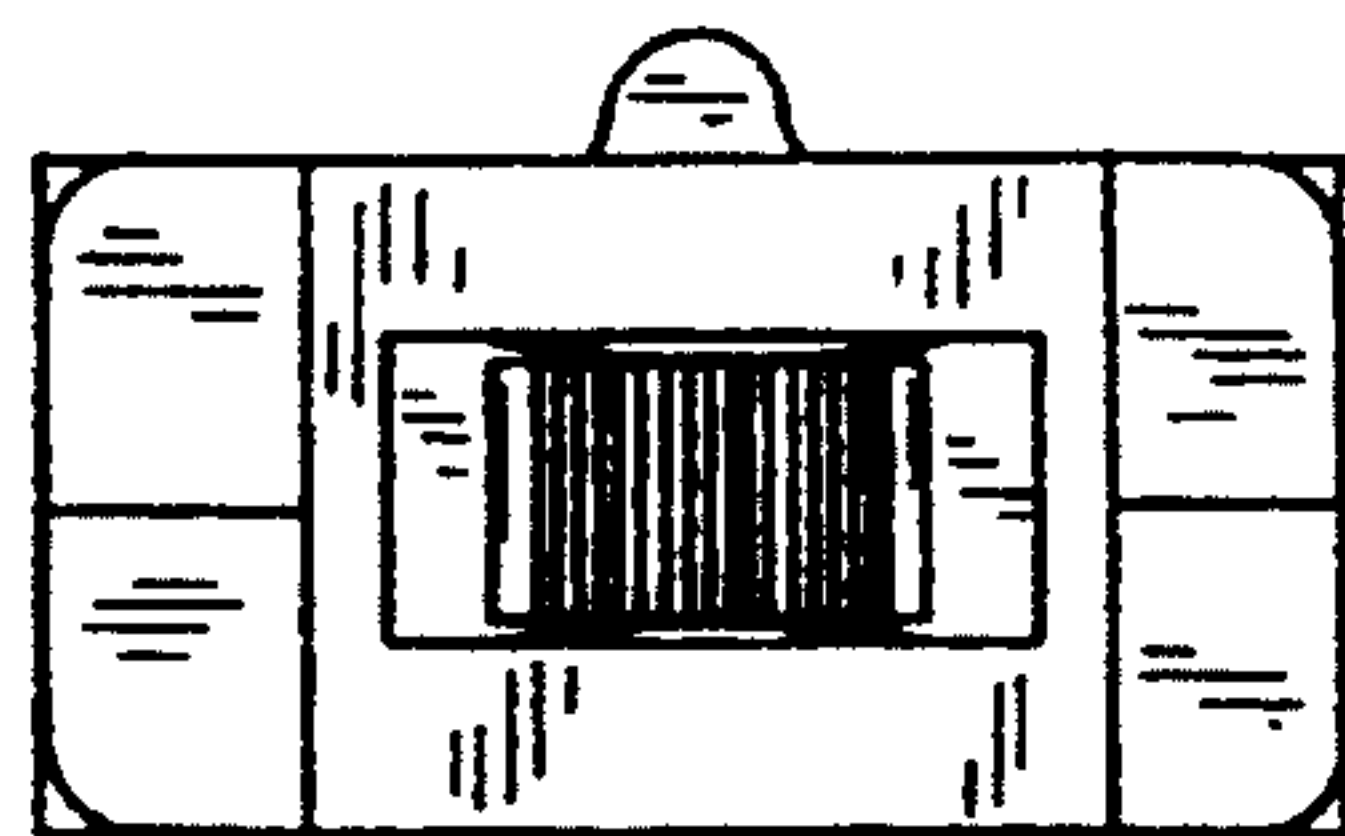


FIG. 14

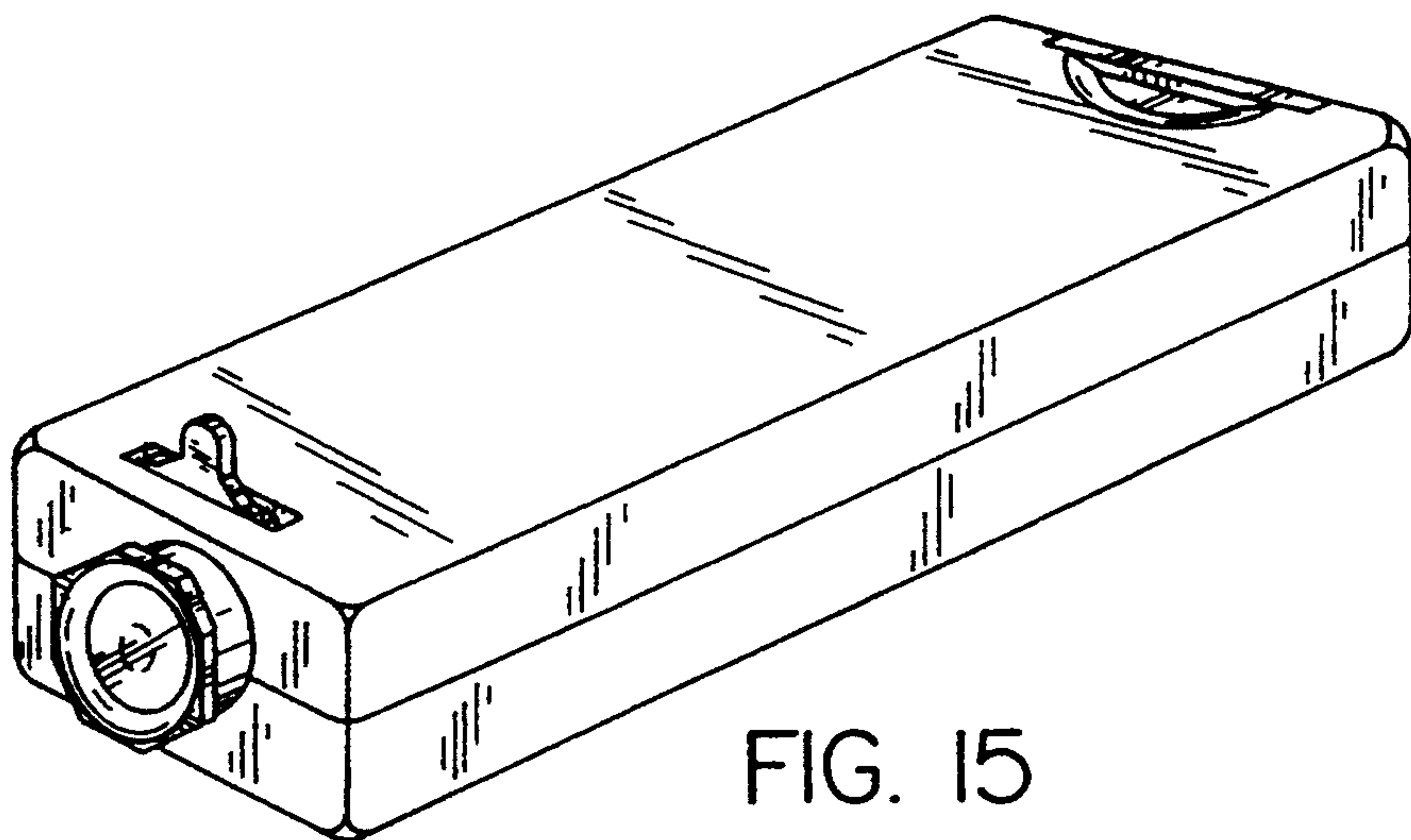


FIG. 15

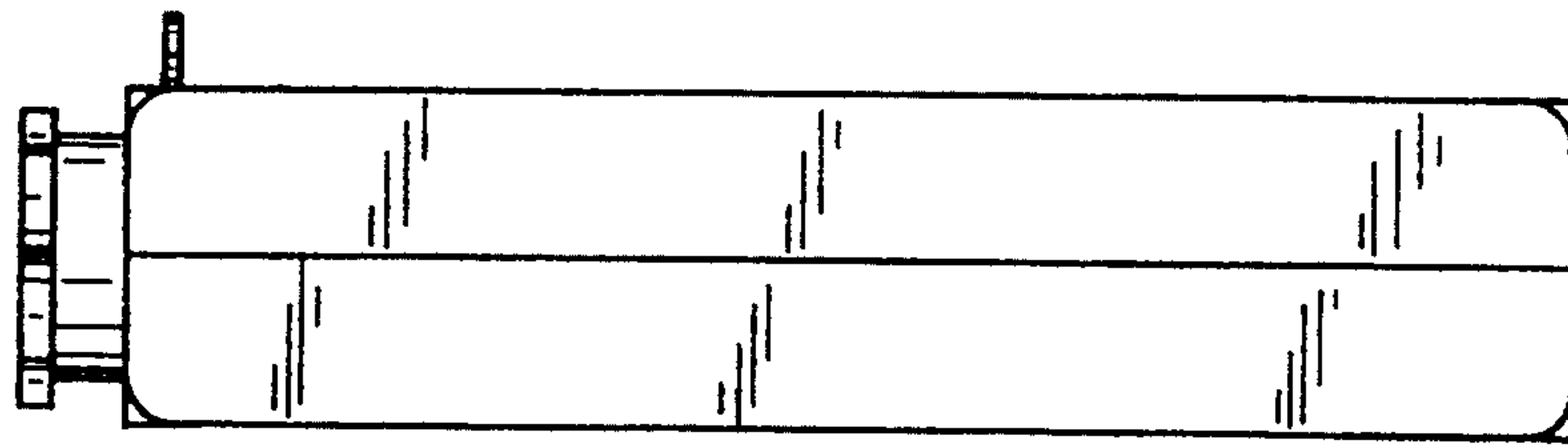


FIG. 16

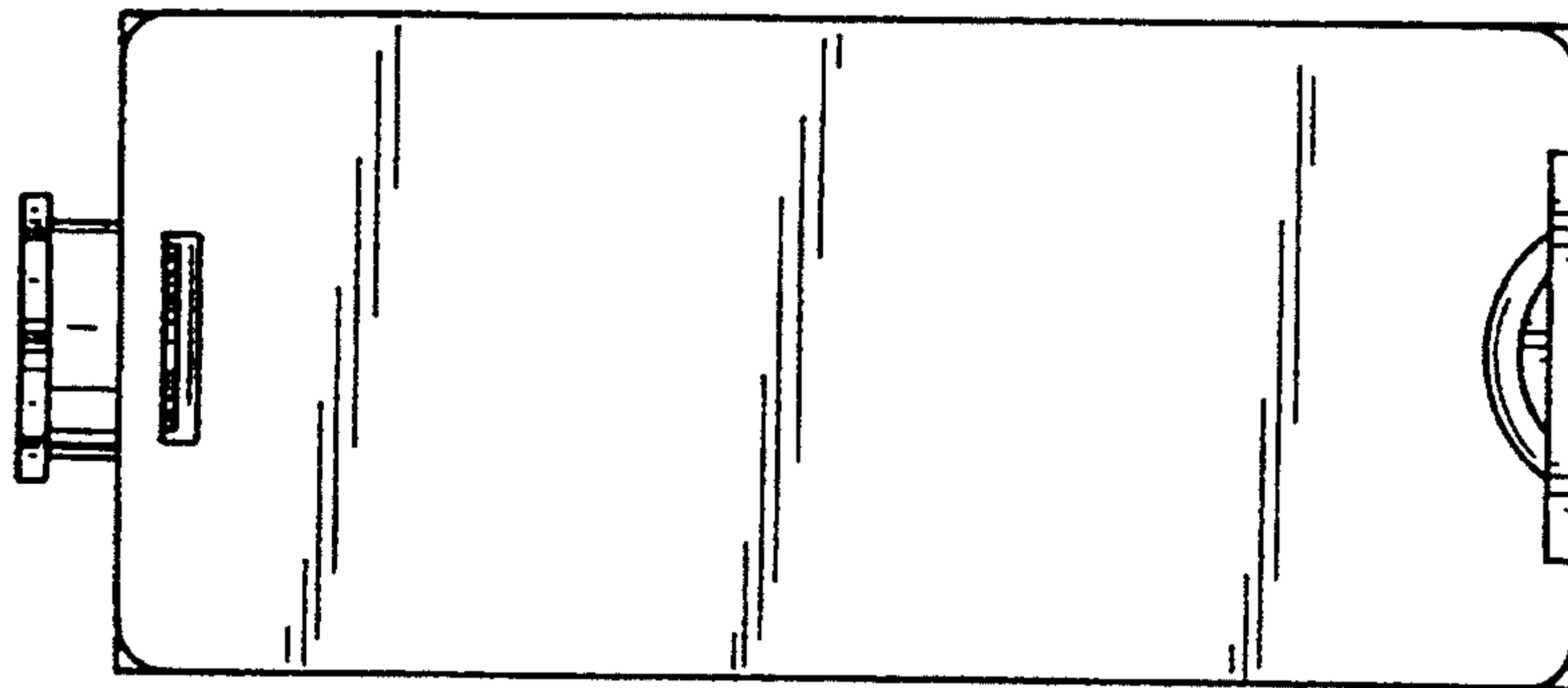


FIG. 17

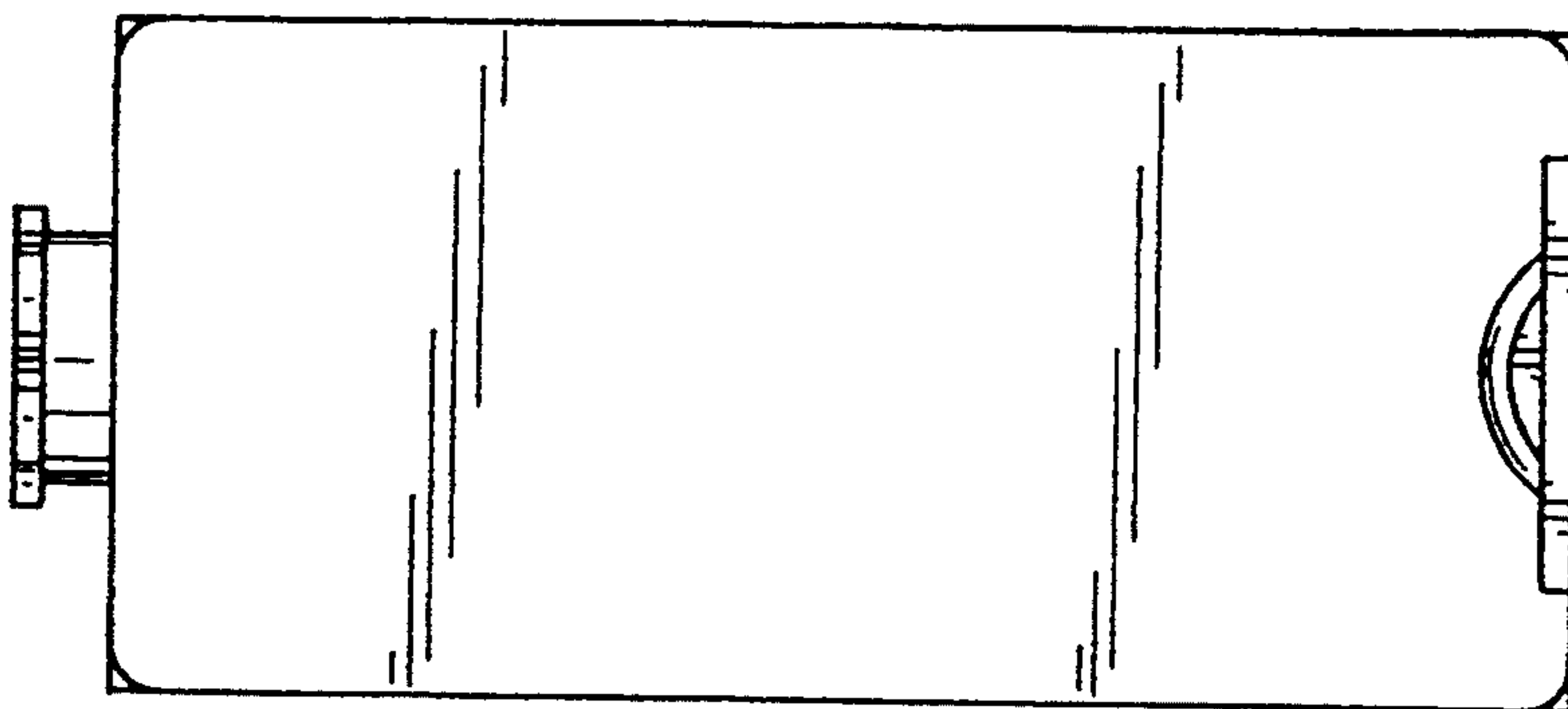


FIG. 18